



US00D478137S

(12) **United States Design Patent**  
**Ho et al.**

(10) **Patent No.:** **US D478,137 S**  
(45) **Date of Patent:** **\*\* Aug. 5, 2003**

(54) **ABDOMINAL EXERCISE MACHINE**

6,168,557 B1 \* 1/2001 Liao ..... 482/140  
6,258,016 B1 \* 7/2001 Kuo ..... 482/142  
6,273,841 B1 8/2001 Johnston ..... 482/51

(76) Inventors: **Wei Teh Ho**, 10th Floor, No. 360,  
Section 1 Fu-Shing South Road, Taipei  
(TW); **Michael E. Casey**, 201 Ocean  
Ave., #406-P, Santa Monica, CA (US)  
90402

**OTHER PUBLICATIONS**

Techno Scout, Products, [www.technoscout.com/general/product.asp?product=1774](http://www.technoscout.com/general/product.asp?product=1774).

(\*\*) Term: **14 Years**

\* cited by examiner

(21) Appl. No.: **29/170,257**

*Primary Examiner*—Philip S. Hyder  
(74) *Attorney, Agent, or Firm*—Cislo & Thomas LLP

(22) Filed: **Oct. 31, 2002**

(57) **CLAIM**

(51) **LOC (7) Cl.** ..... **21-02**

(52) **U.S. Cl.** ..... **D21/687; D21/690**

(58) **Field of Search** ..... D21/662, 686,  
D21/687, 690; 482/140, 142, 91, 95, 148

The ornamental design for an abdominal exercise machine,  
as shown and described herein.

**DESCRIPTION**

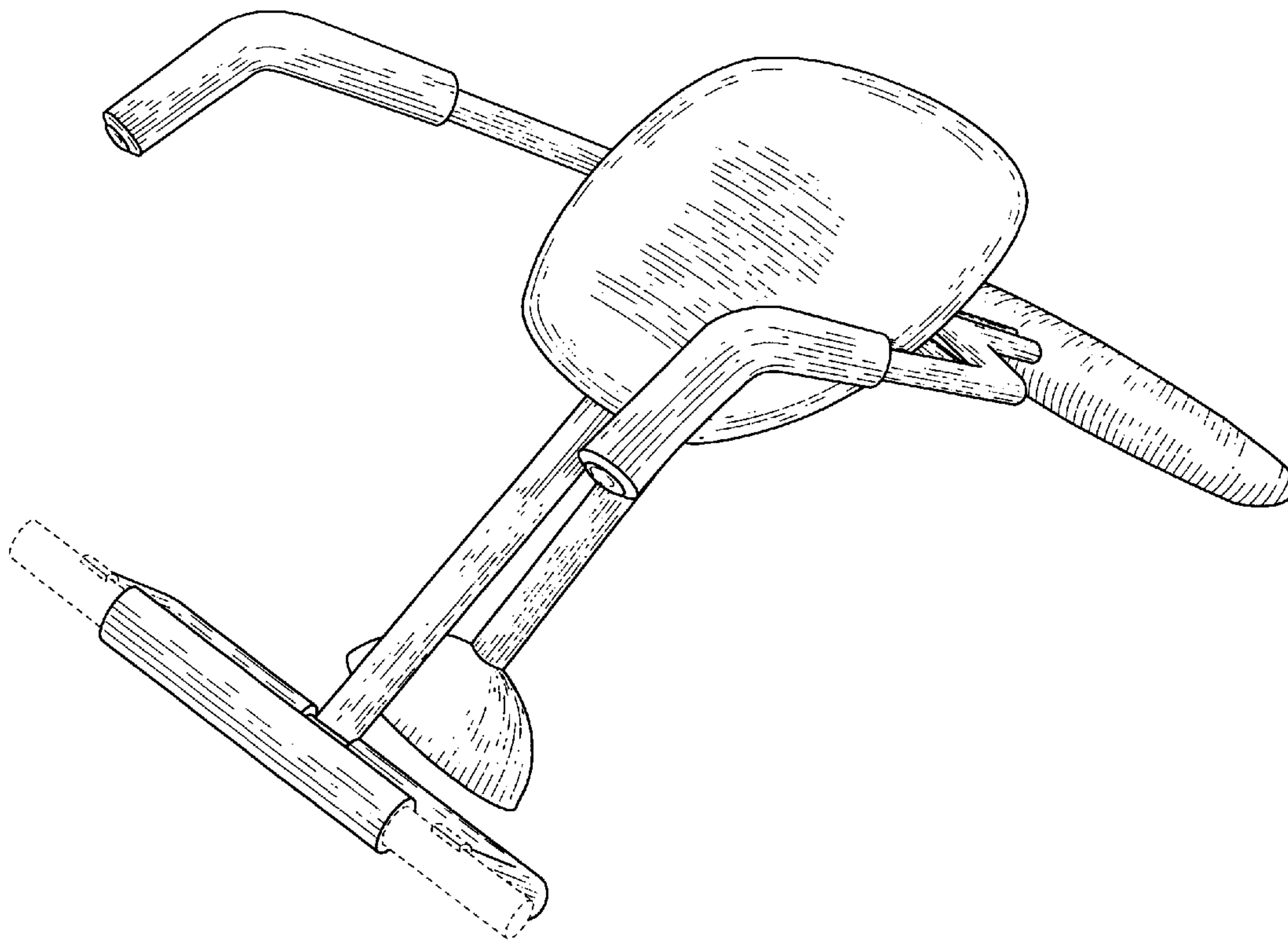
(56) **References Cited**

FIG. 1 is a perspective view of our abdominal exercise machine;  
FIG. 2 is a front elevation view thereof;  
FIG. 3 is a rear elevation view thereof;  
FIG. 4 is a right side elevation view thereof;  
FIG. 5 a top plan view thereof;  
FIG. 6 is a bottom view thereof; and,  
FIG. 7 is a perspective view thereof, in an alternate position.  
The broken line portions of the disclosure are for illustrative purposes only and form no part of the claimed design.

**U.S. PATENT DOCUMENTS**

4,641,833	A	2/1987	Trethewey	
4,903,963	A	2/1990	Garnett	
4,930,771	A	6/1990	Wilson	
5,052,684	A	10/1991	Kosuge et al.	
D344,993	S	3/1994	Laratta	
5,599,261	A *	2/1997	Easley et al.	482/130
5,722,917	A	3/1998	Olschansky et al.	482/72
5,769,766	A *	6/1998	Huang	482/140
5,967,610	A	10/1999	Lin	297/340
6,123,653	A *	9/2000	Huang	482/142

**1 Claim, 7 Drawing Sheets**



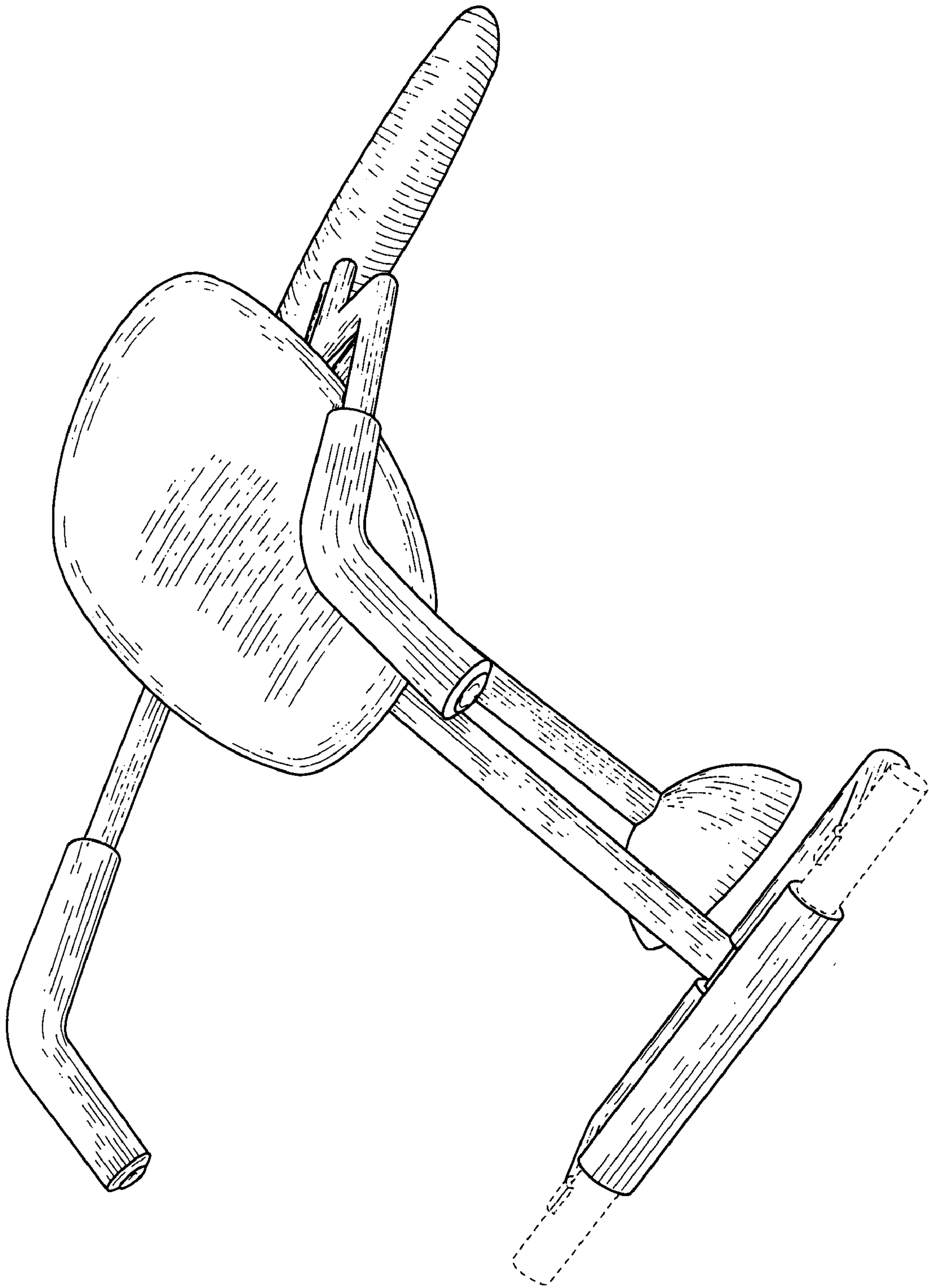
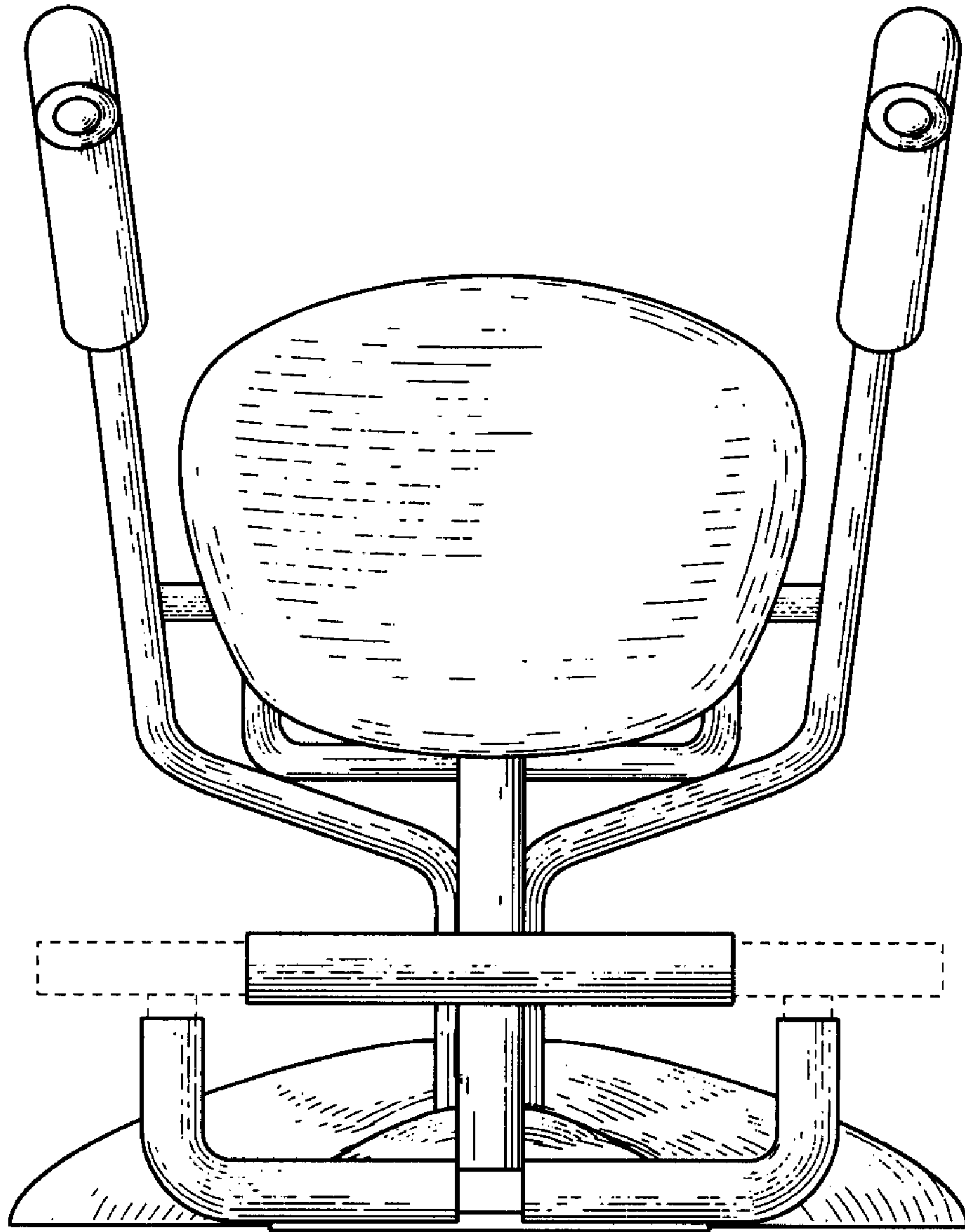
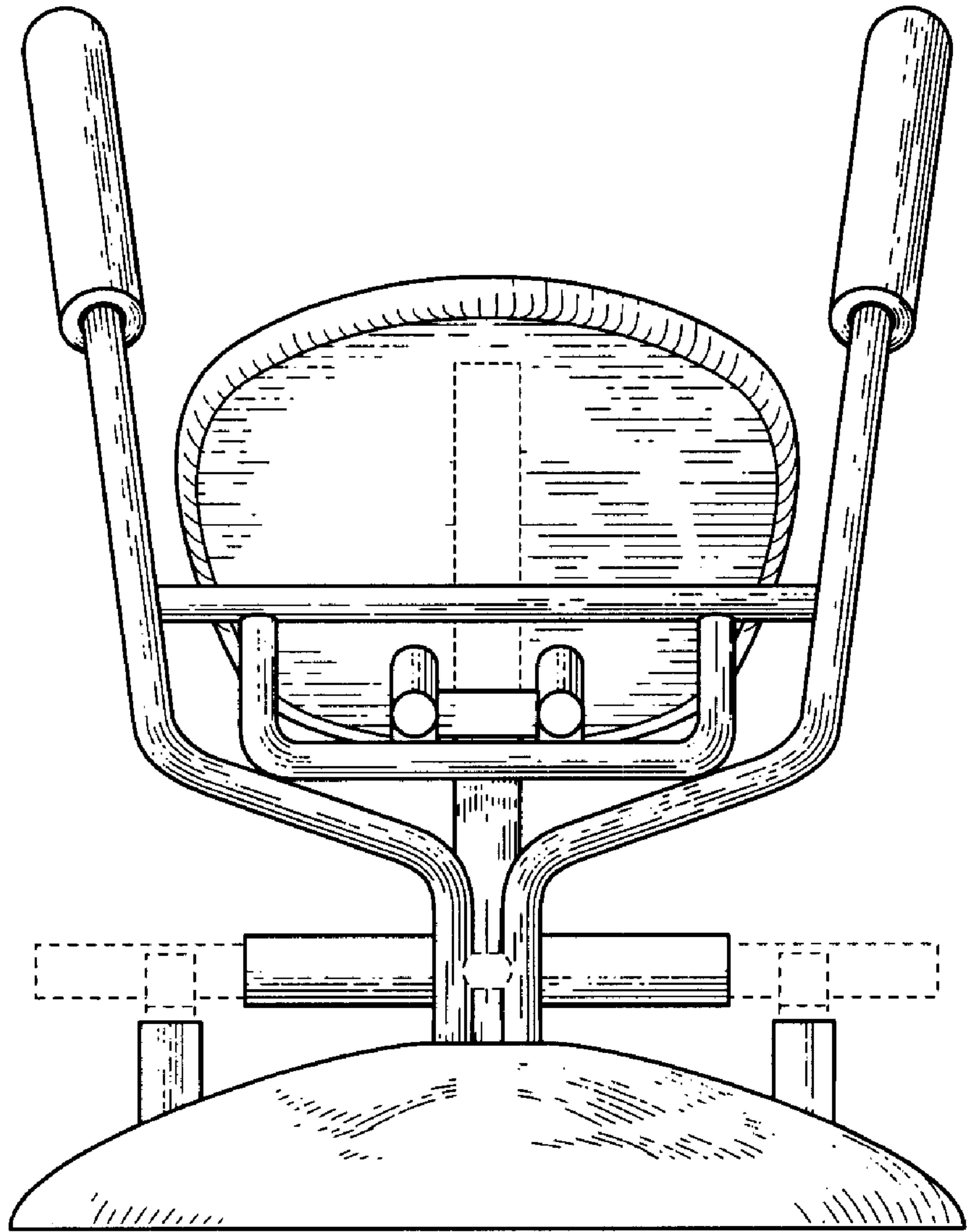


FIG. 1



**FIG. 2**



**FIG. 3**



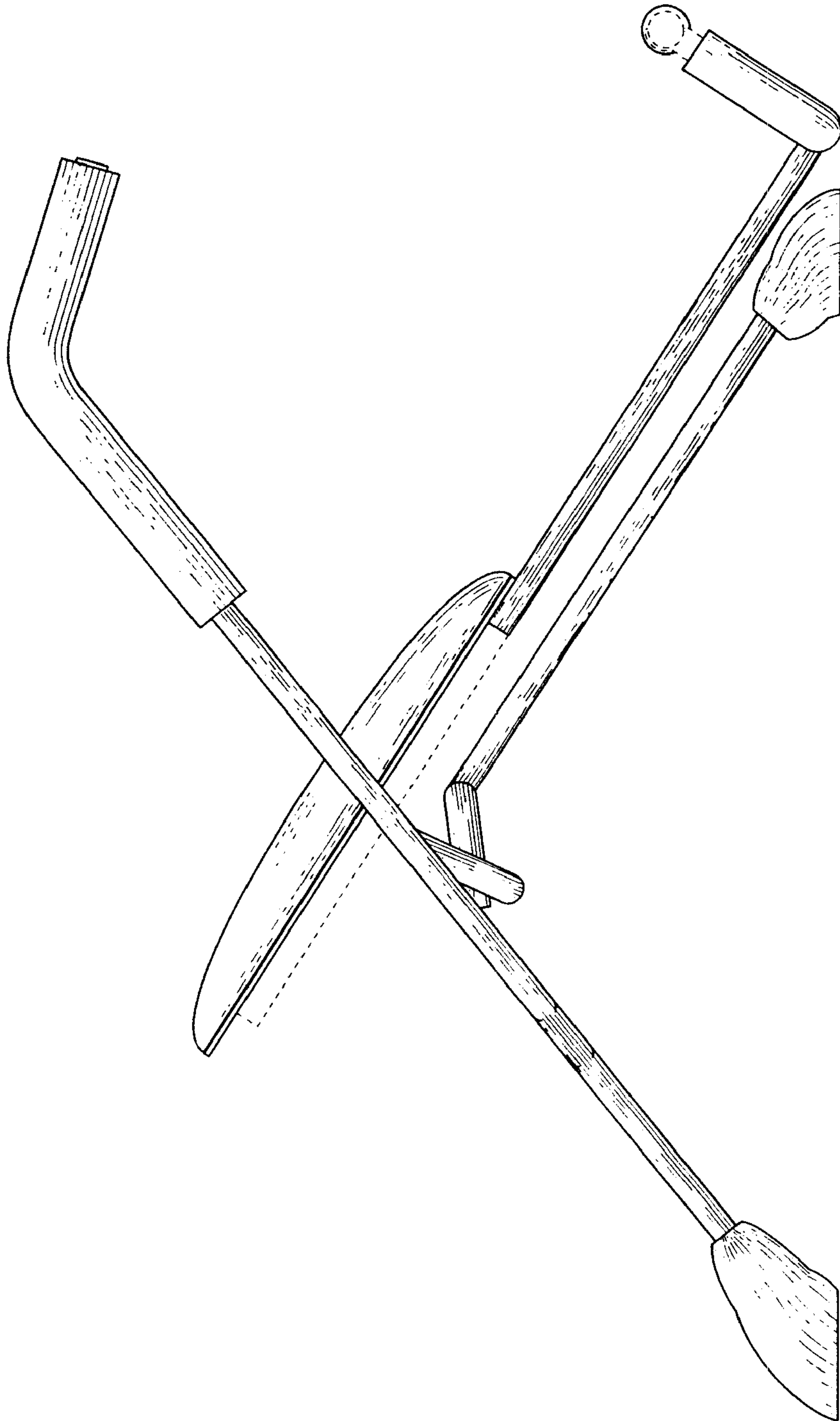


FIG. 4

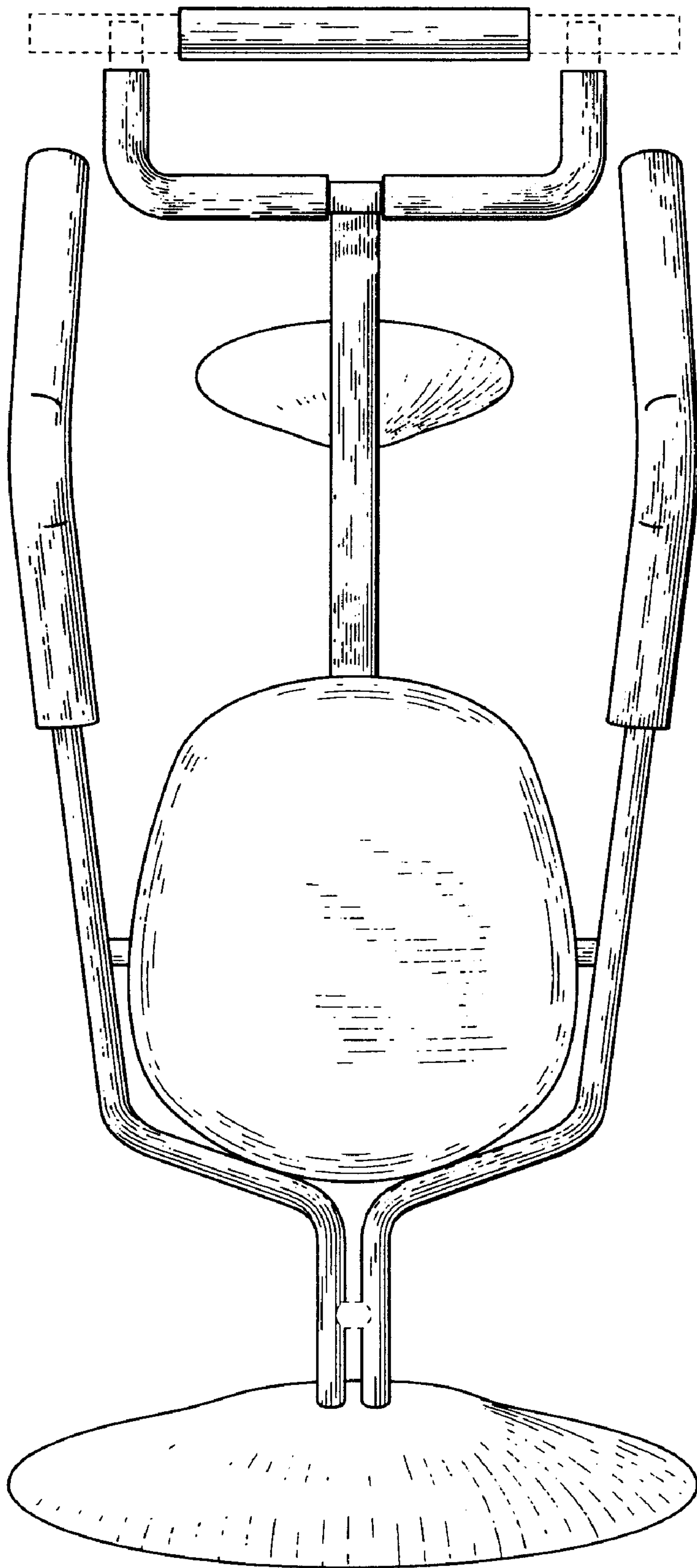


FIG. 5

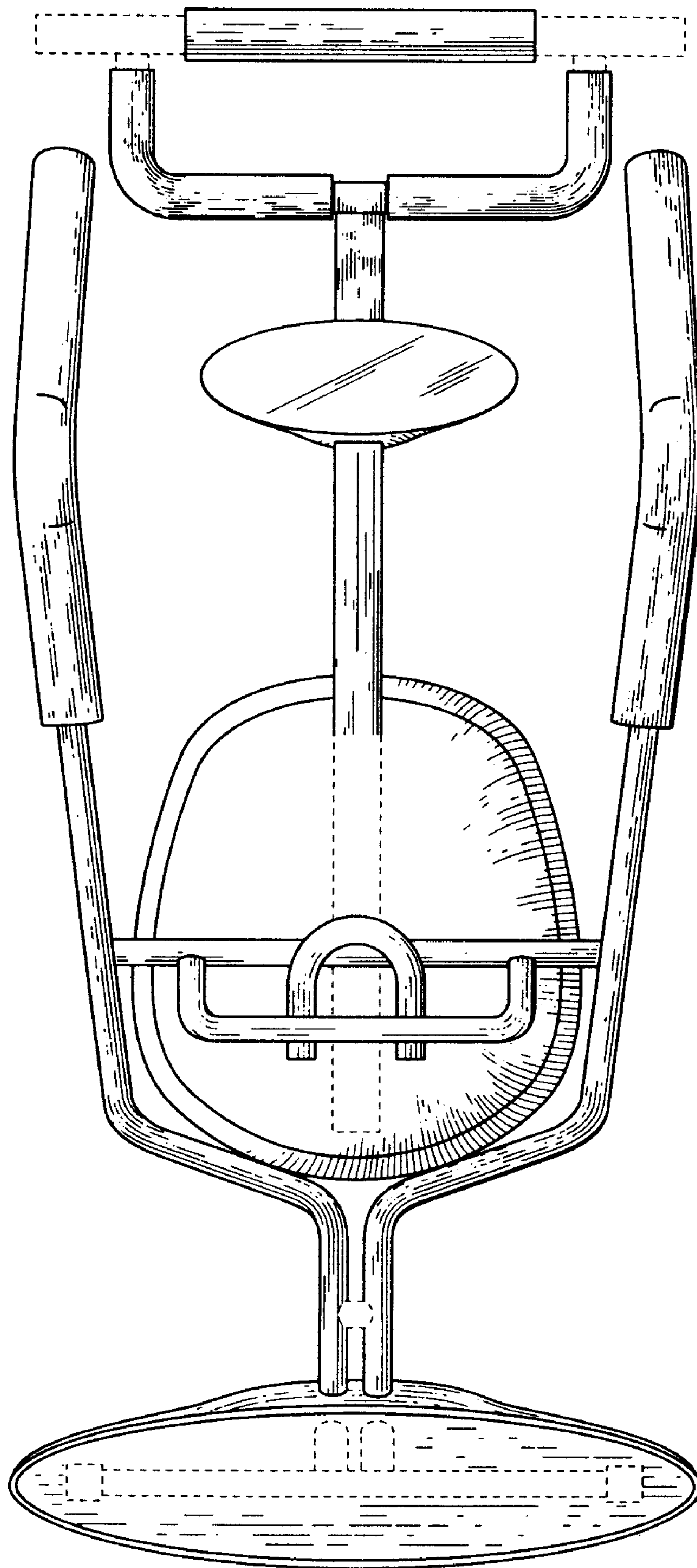


FIG. 6

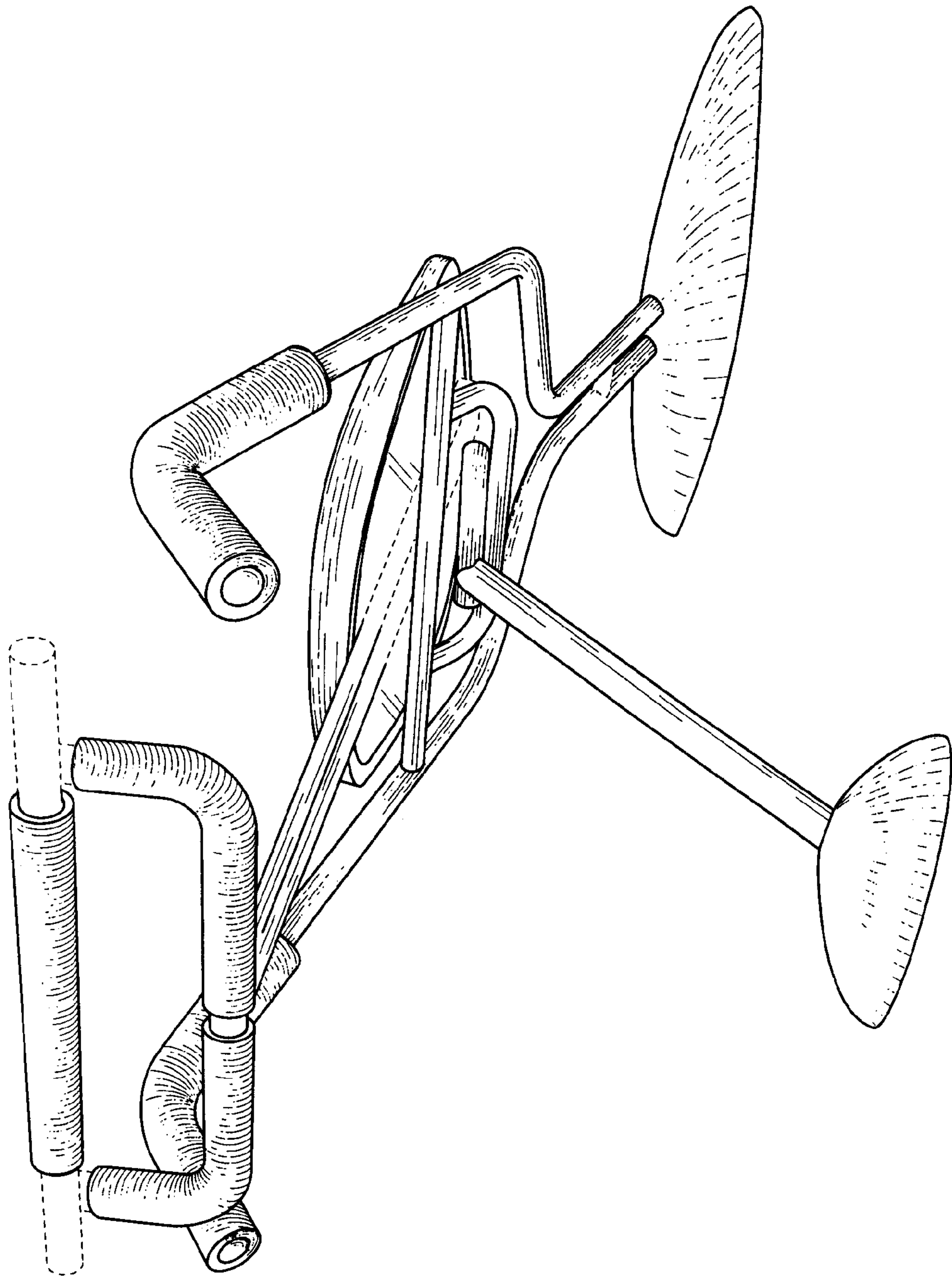


FIG. 7