



US00D478135S

(12) **United States Design Patent**
Mival et al.

(10) **Patent No.:** **US D478,135 S**

(45) **Date of Patent:** **** Aug. 5, 2003**

(54) **EXERCISE BIKE**

(75) Inventors: **Nicholas Mival**, London (GB); **Bryan Wall**, London (GB); **Miles Hawley**, London (GB); **Andrew Wills**, London (GB); **Tim Manson**, London (GB); **James Leddy**, London (GB); **Oliver Price**, London (GB); **Karl Drage**, London (GB); **Gareth Davies**, London (GB)

(73) Assignee: **Exteris Ltd.**, London (GB)

(**) Term: **14 Years**

(21) Appl. No.: **29/156,533**

(22) Filed: **Mar. 4, 2002**

(30) **Foreign Application Priority Data**

Sep. 4, 2001 (GB) 2104559

(51) **LOC (7) Cl.** **21-02**

(52) **U.S. Cl.** **D21/663**

(58) **Field of Search** D21/662, 663,
D21/664, 665, 666, 667; 482/51, 52, 53,
54, 57, 58

(56) **References Cited**

U.S. PATENT DOCUMENTS

D290,149 S * 6/1987 Nakao et al. D21/663

D298,267 S * 10/1988 Nakao et al. D21/663
D299,371 S * 1/1989 Tsuyama D21/663
D299,670 S * 1/1989 Lin et al. D21/663
D325,946 S * 5/1992 Cesaroni et al. D21/663
D344,313 S * 2/1994 Wu D21/663
D398,673 S * 9/1998 Huang D21/663
D401,644 S * 11/1998 Chen D21/663
D444,515 S * 7/2001 Moran et al. D21/663

* cited by examiner

Primary Examiner—Philip S. Hyder

(74) *Attorney, Agent, or Firm*—Bacon & Thomas, PLLC

(57) **CLAIM**

The ornamental design for an exercise bike, as shown and described.

DESCRIPTION

FIG. 1 is an upper right side perspective view of our new design;

FIG. 2 is a left side elevational view thereof;

FIG. 3 is a right side elevational view thereof;

FIG. 4 is a front elevational view thereof;

FIG. 5 is a rear elevational view thereof;

FIG. 6 is a top plan view thereof; and,

FIG. 7 is a bottom view thereof.

1 Claim, 7 Drawing Sheets

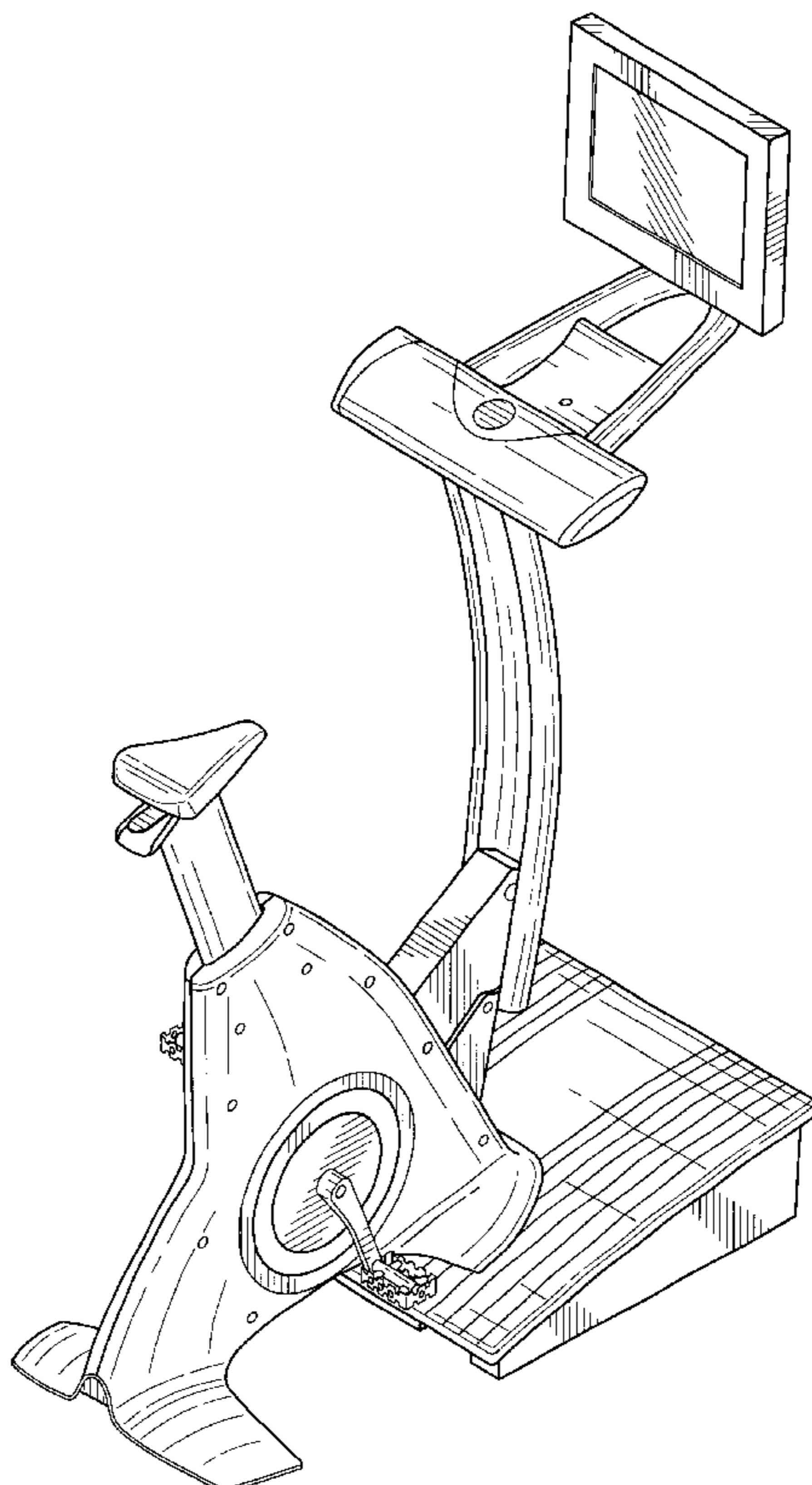
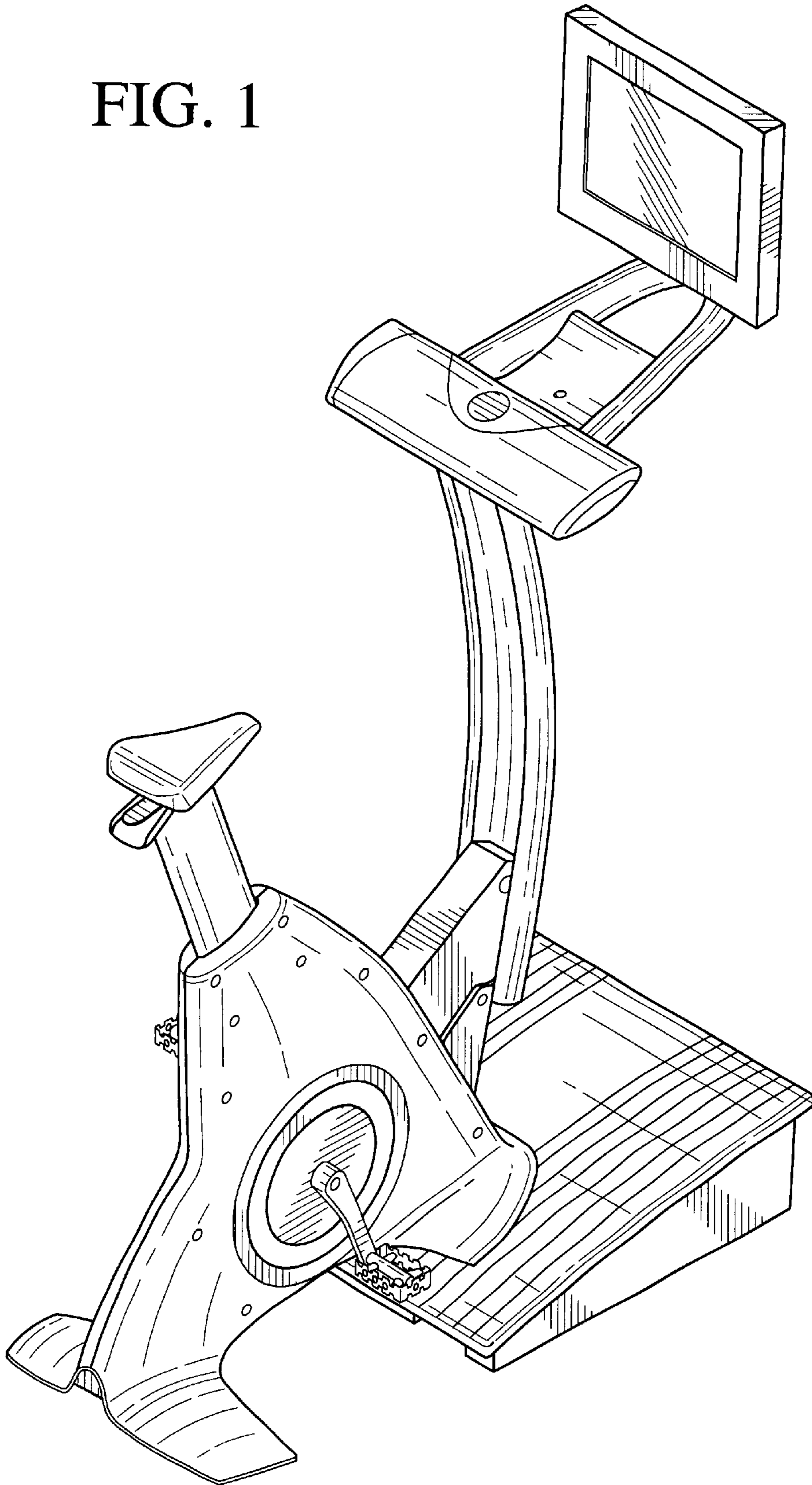


FIG. 1



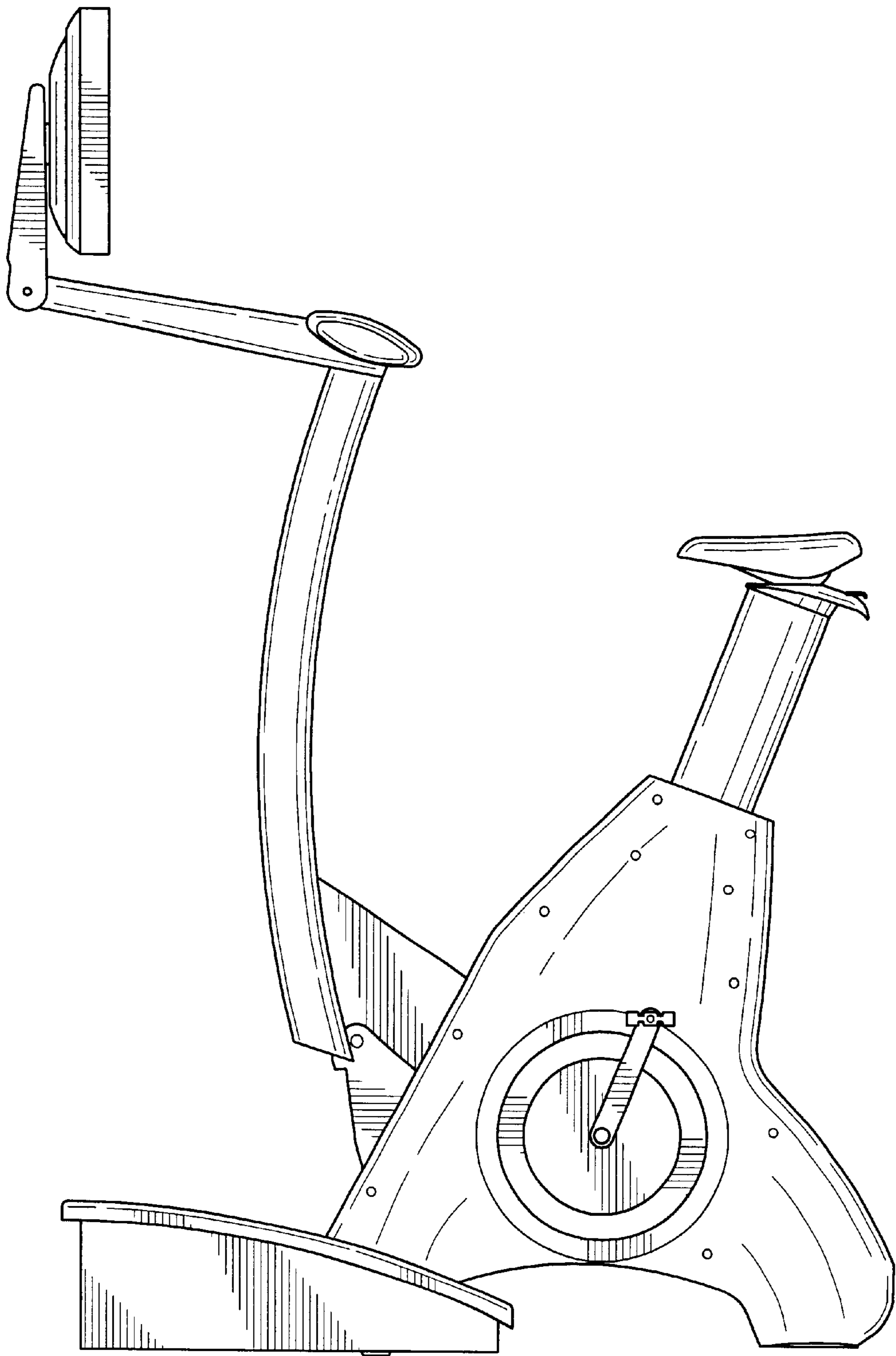


FIG. 2

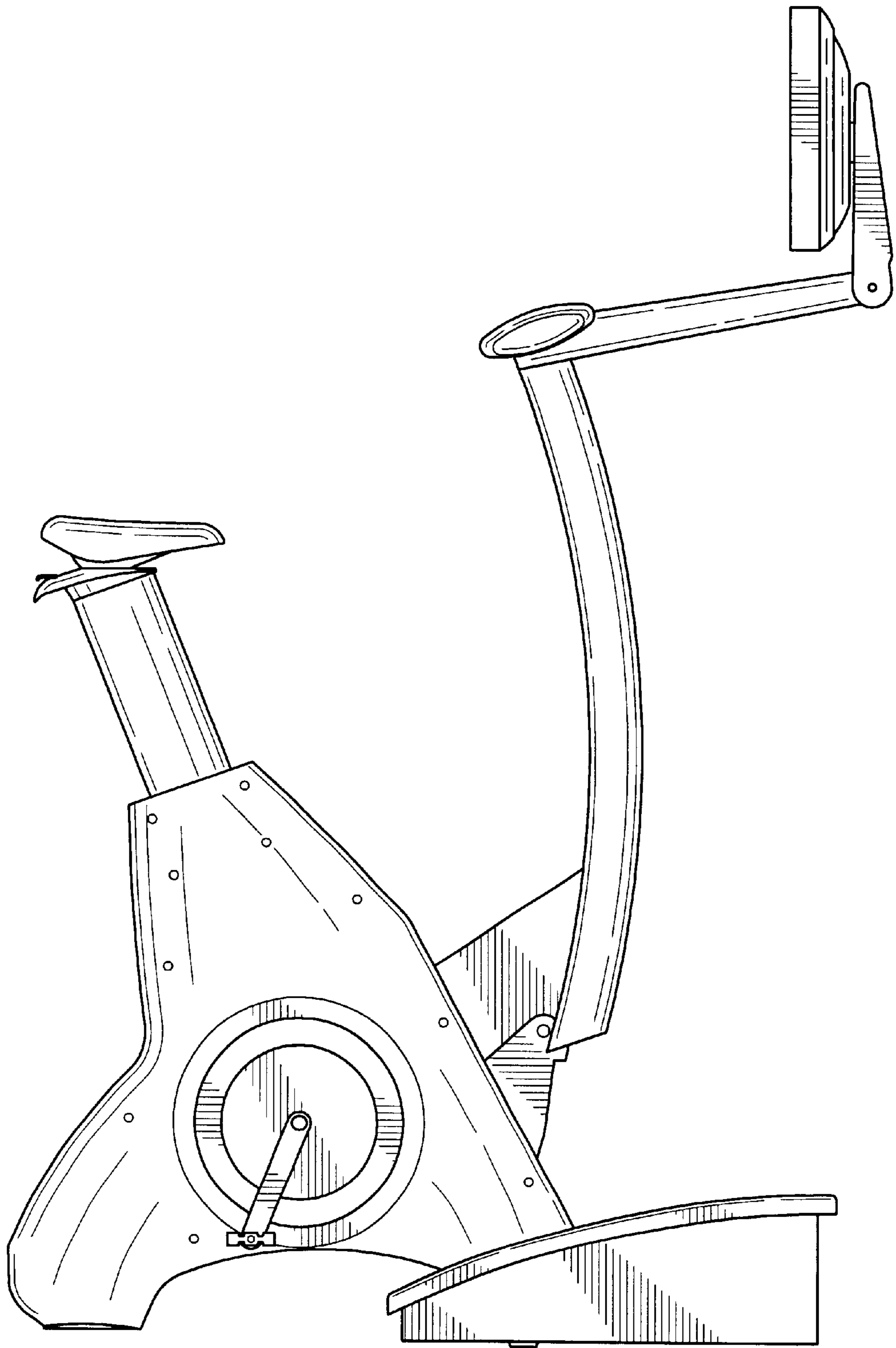


FIG. 3

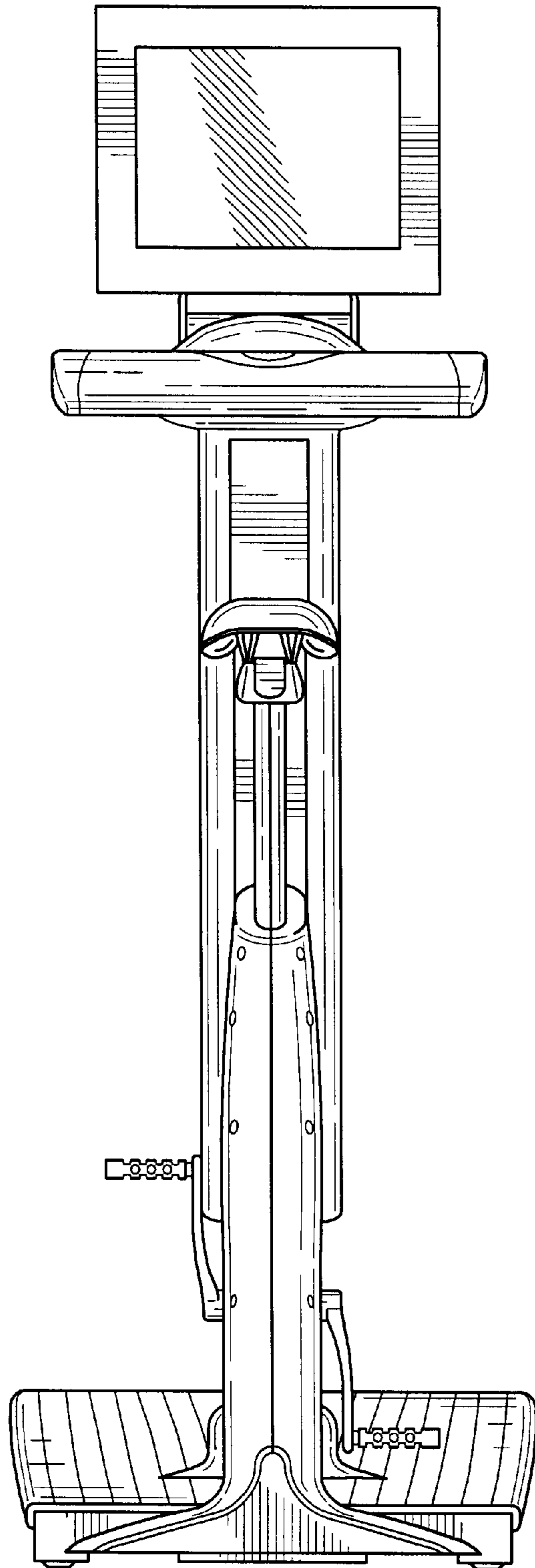


FIG. 4

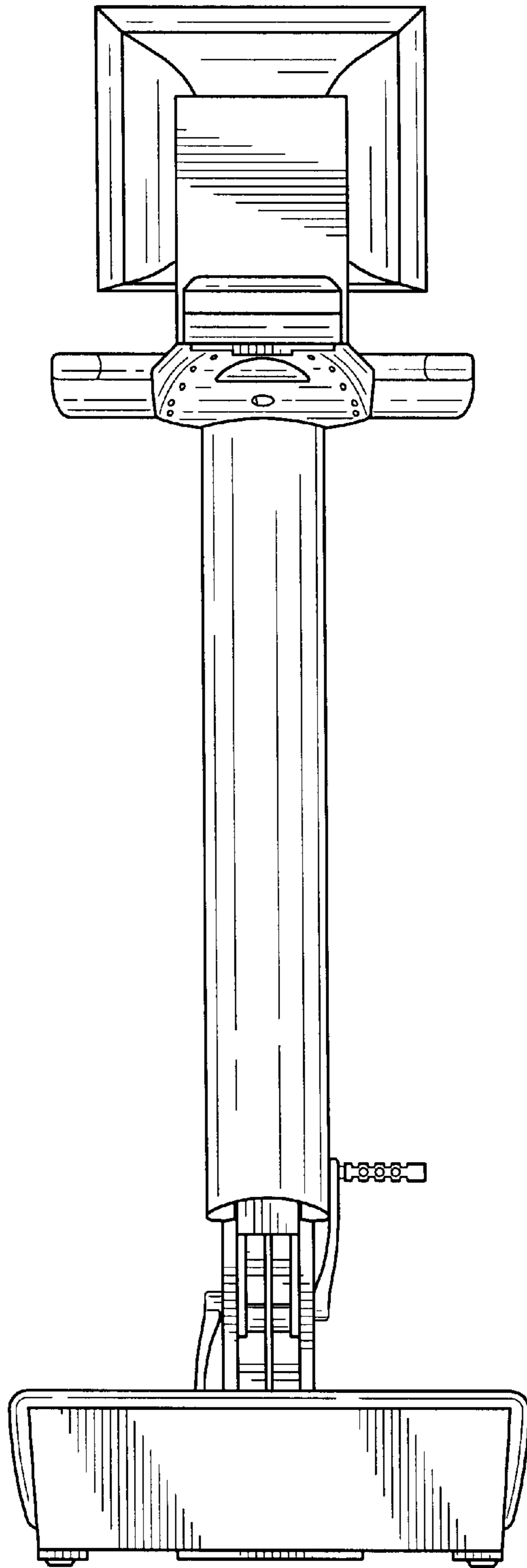


FIG. 5

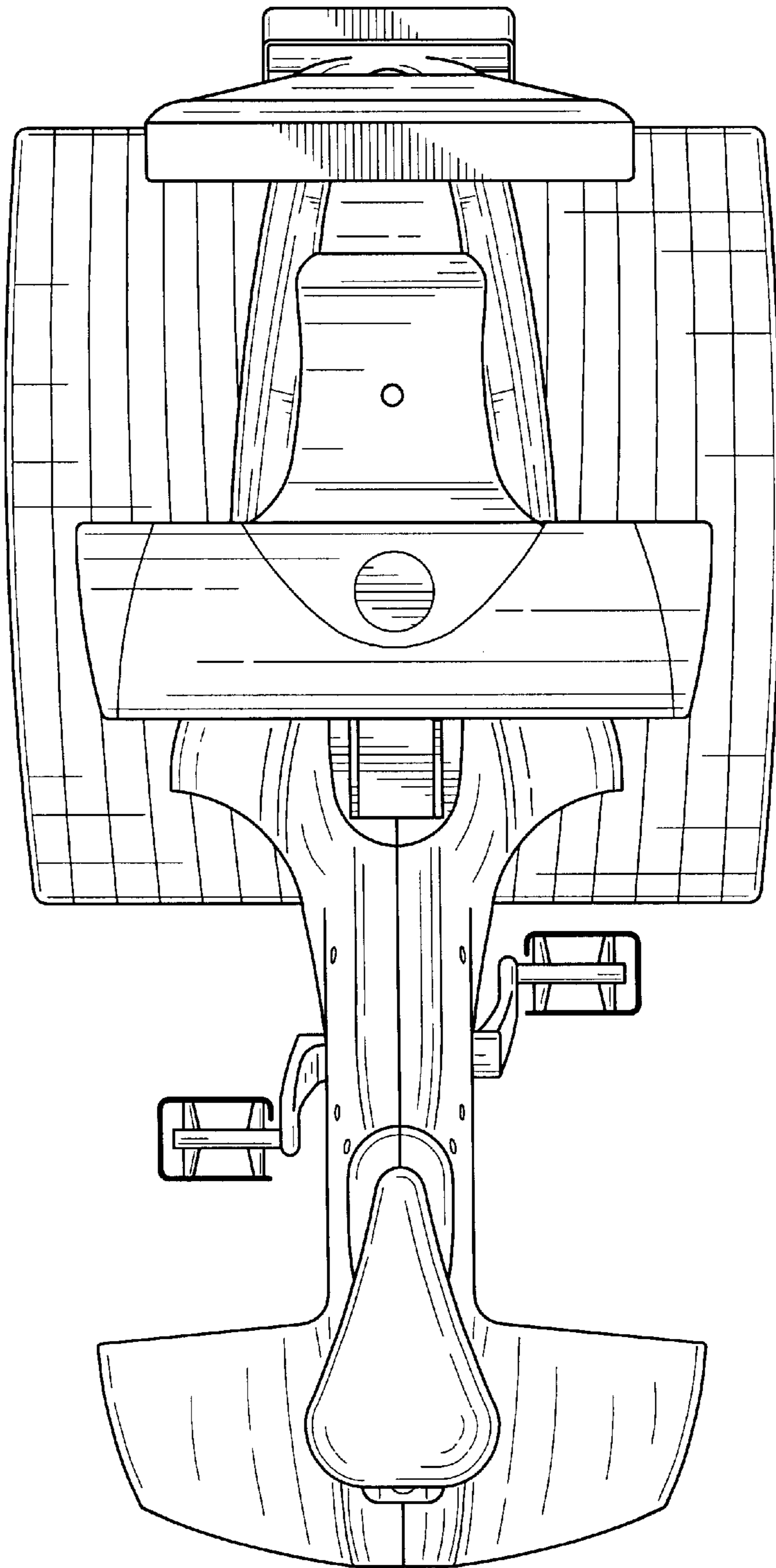


FIG. 6

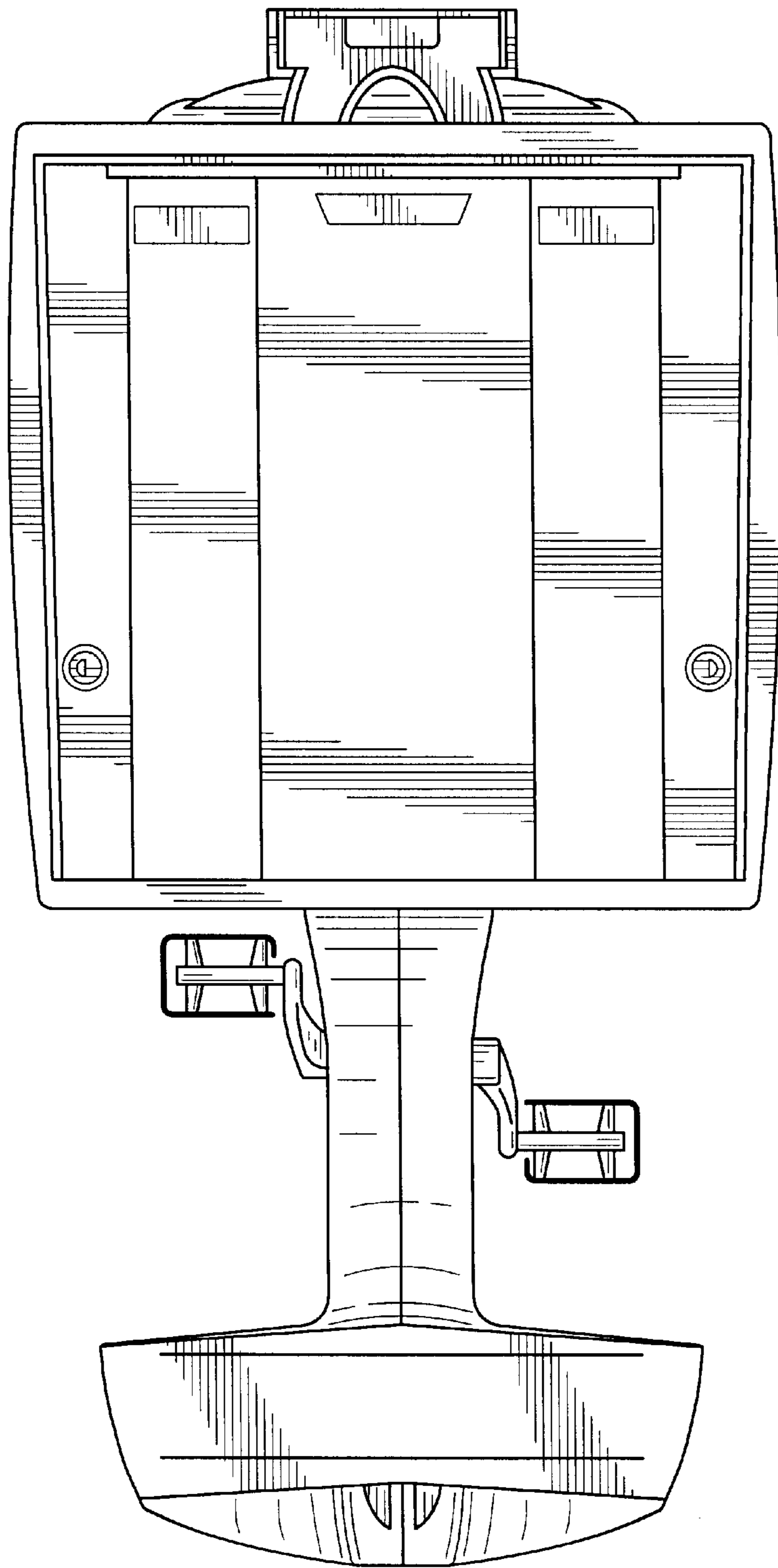


FIG. 7