



US00D478132S

(12) **United States Design Patent**
Robinson

(10) **Patent No.:** **US D478,132 S**

(45) **Date of Patent:** **** Aug. 5, 2003**

(54) **AUTO BODY DOLL**

(76) Inventor: **James Robinson**, 20 E. Second Ave.,
Suite 101, Conshohocken, PA (US)
19428

(**) Term: **14 Years**

(21) Appl. No.: **29/159,013**

(22) Filed: **Apr. 9, 2002**

(51) **LOC (7) Cl.** **21-01**

(52) **U.S. Cl.** **D21/594; D21/630; D21/635**

(58) **Field of Search** D21/630, 621,
D21/631, 623, 634, 635, 548-551, 594;
D11/160; 446/268, 320, 326, 330, 331,
376, 379-384

(56) **References Cited**

U.S. PATENT DOCUMENTS

D195,176 S	*	5/1963	Schifrin	D21/548
D214,278 S	*	5/1969	Thompson	D11/160
D368,122 S	*	3/1996	Nelson	D21/631
D408,456 S	*	4/1999	Garner	D21/548

* cited by examiner

Primary Examiner—Lucy Lieberman

(74) *Attorney, Agent, or Firm*—Andrew B. Katz, Esq.

(57) **CLAIM**

The ornamental design for an auto body doll, as shown and described.

DESCRIPTION

FIG. 1 is a side view of the present invention;

FIG. 2 is a top view of the present invention;

FIG. 3 is a front view of the present invention;

FIG. 4 is an isometric view of the present invention; and,

FIG. 5 is a perspective view of the present invention shown in an exploded condition.

The broken lines in the drawings showing certain details of the doll's head, the doll's torso, and the automobile are for illustrative purposes only and do not form part of the claimed design. Specifically, all of the facial features of the doll, comprising the nose, eyes, eyebrows, mouth, ears, cheeks and hairline are shown in broken lines and do not form part of the claimed invention. Additionally, the features shown on the doll's torso, comprising the raised collar, the racing stripe on the shoulder and the front seam are shown in broken lines and do not form part of the claimed invention. Further, the features of the automobile, comprising the spoiler, the windows, the headlights, the taillights, the wheel trimming and the front grill are shown in broken lines and do not form part of the claimed invention. To the extent that any of the unclaimed features form an outer boundary of the disclosed design (as is the case with the doll's nose and the automobile's rear spoiler), the broken lines identify that Applicant is not claiming that particular section of the outer boundary as part of the claimed design.

1 Claim, 5 Drawing Sheets

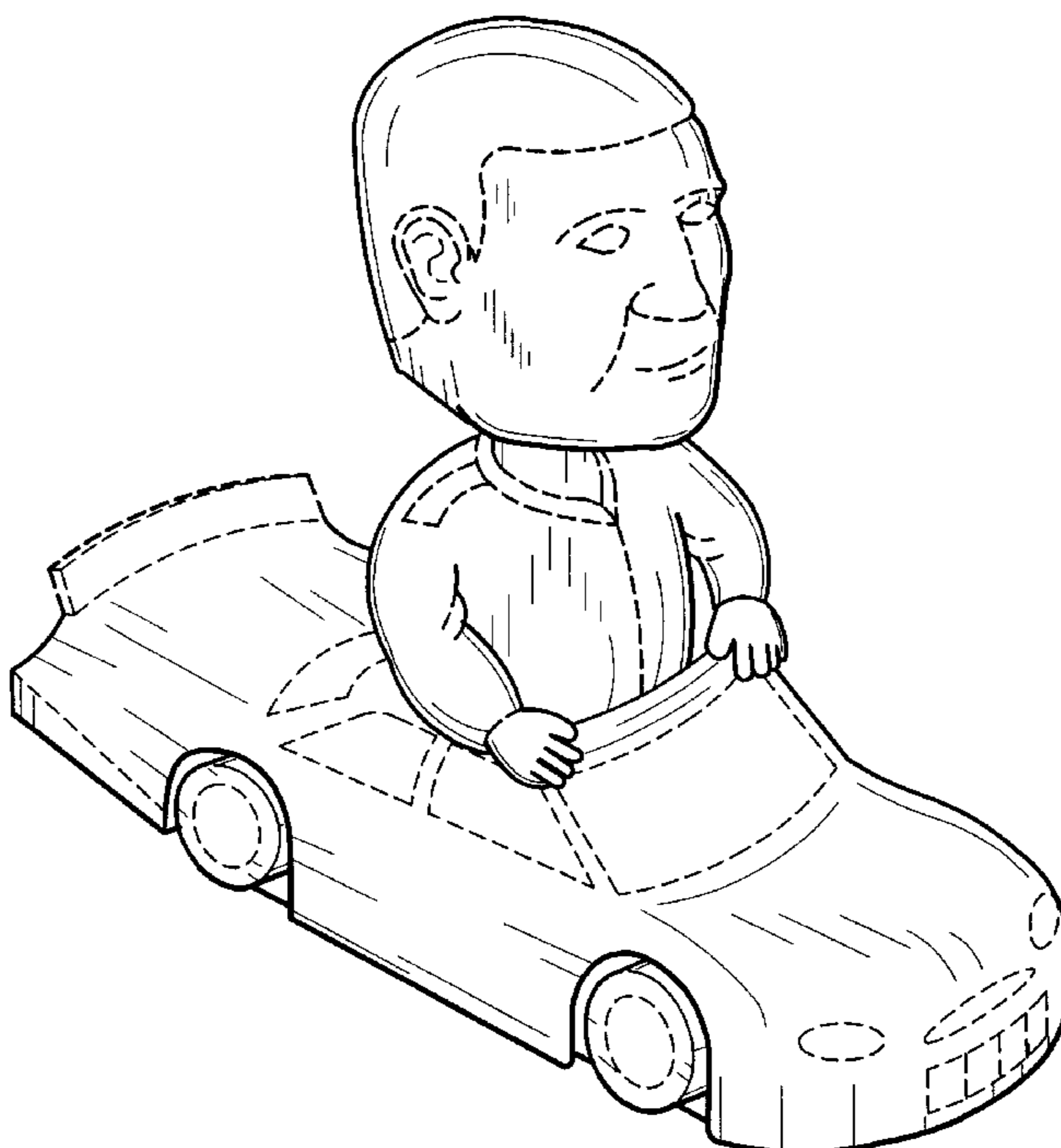


FIG. 1

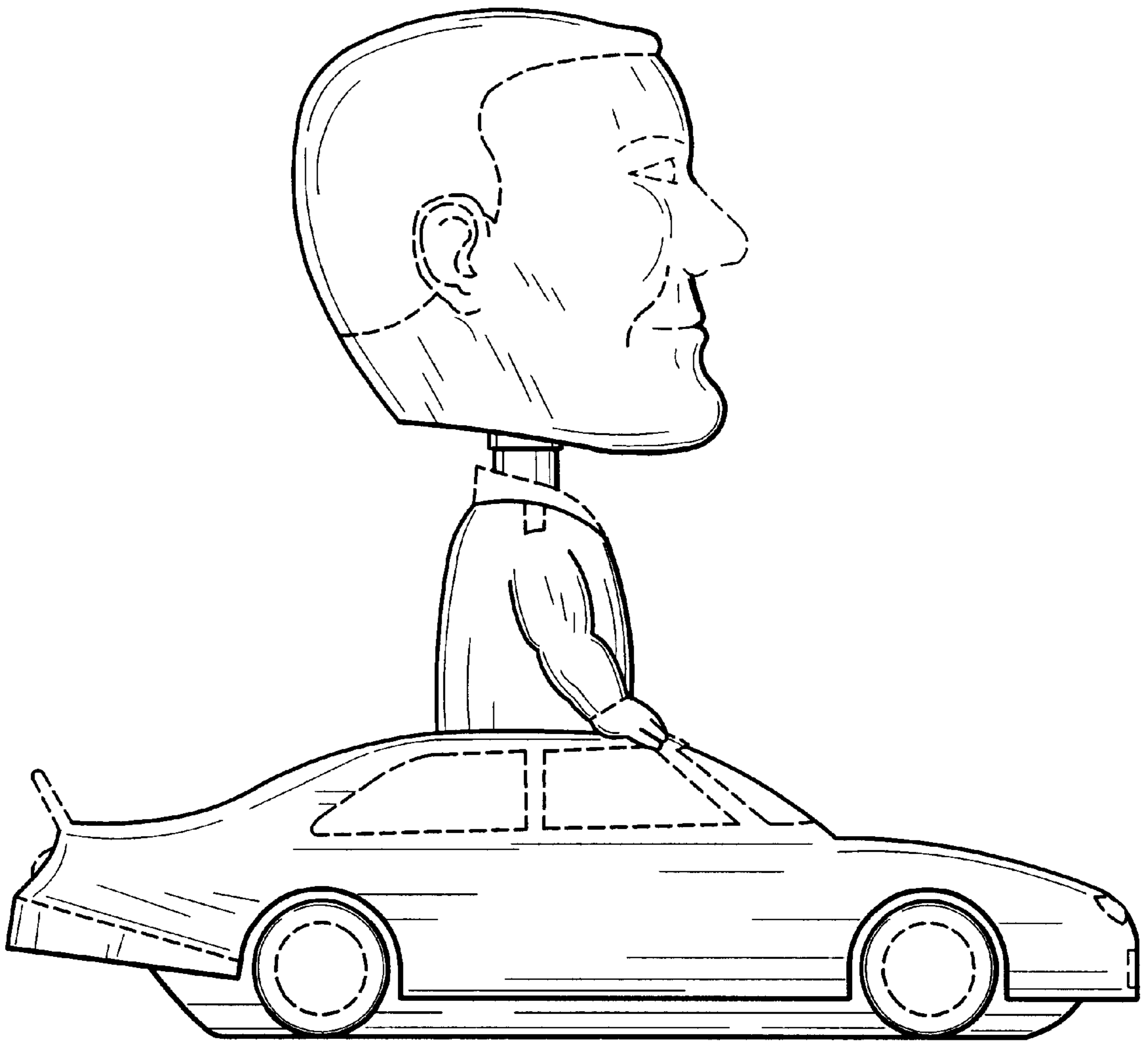


FIG. 2

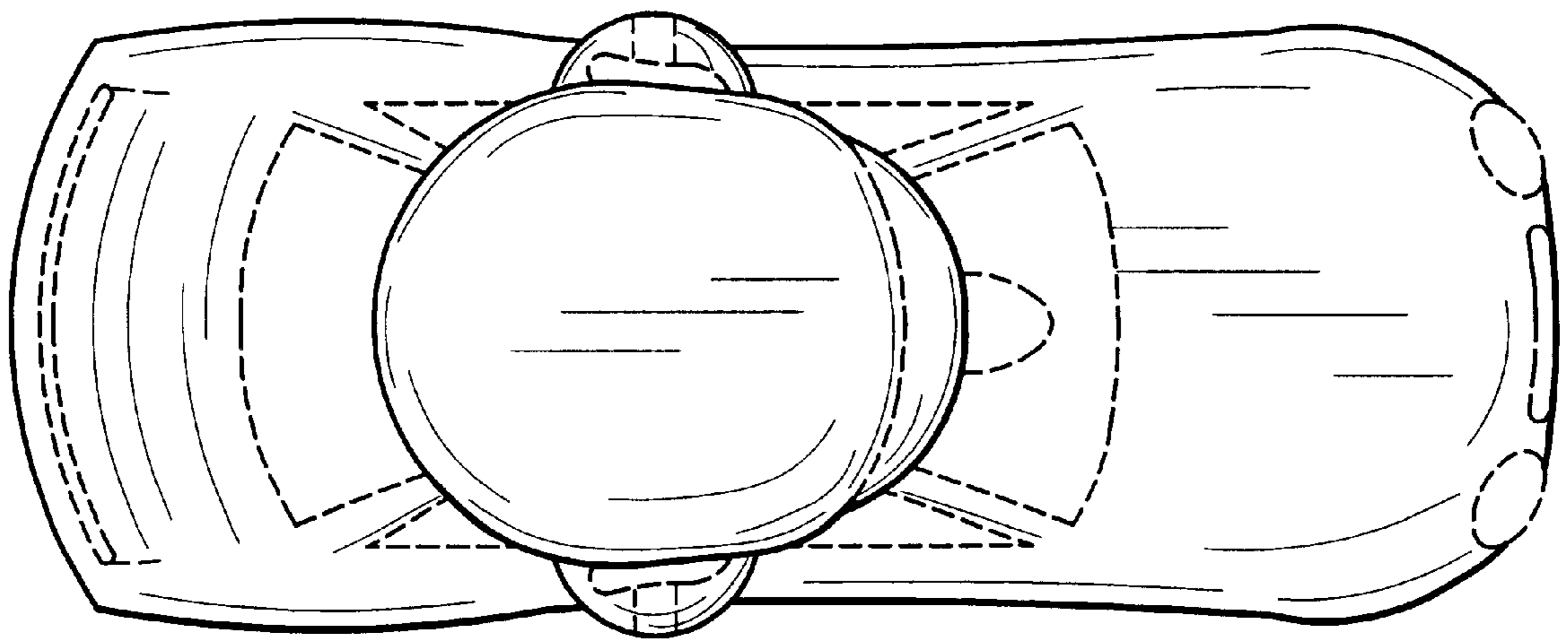


FIG. 3

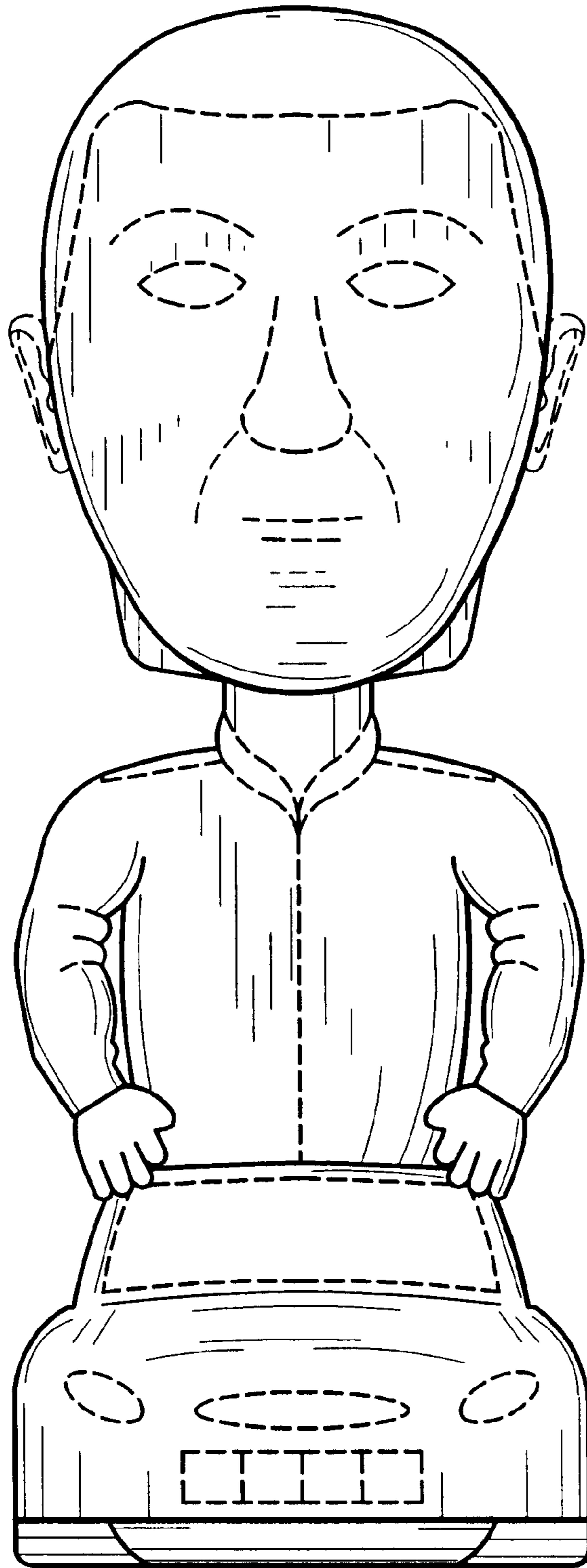


FIG. 4

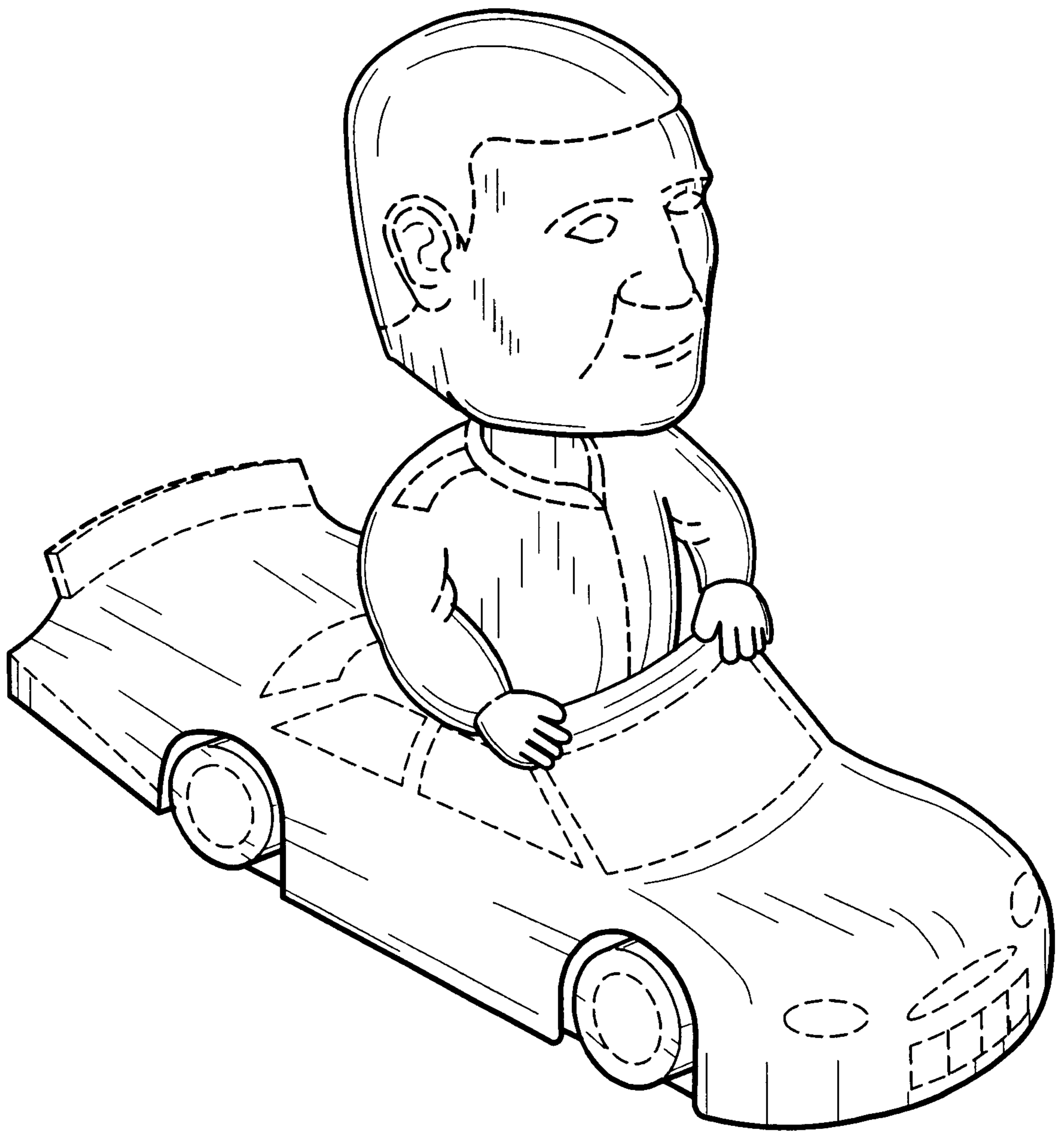


FIG. 5

