



US00D478131S

(12) **United States Design Patent**  
**Schneider**

(10) **Patent No.:** **US D478,131 S**

(45) **Date of Patent:** **\*\* Aug. 5, 2003**

(54) **TOY TRACTOR**

(75) **Inventor:** **Frank Schneider**, Neustradt b. Coburg (DE)

(73) **Assignee:** **Schneider GmbH Co. KG**, Neustradt B. Coburg (DE)

(\*\*) **Term:** **14 Years**

(21) **Appl. No.:** **29/167,656**

(22) **Filed:** **Sep. 17, 2002**

(51) **LOC (7) Cl.** ..... **21-01**

(52) **U.S. Cl.** ..... **D21/431**

(58) **Field of Search** ..... D21/424, 426, D21/431, 433, 434, 435, 533, 537; D12/92, 100, 108; D15/15, 23, 25, 26; 446/160, 428, 447, 456, 465, 470; 280/1.13, 87.021, 828, 47.11

(56) **References Cited**

**U.S. PATENT DOCUMENTS**

- D202,436 S \* 9/1965 Schreckengost ..... D21/431
- D224,298 S \* 7/1972 Kermer ..... D15/23
- D251,749 S \* 5/1979 Bretschger ..... D21/431
- D297,239 S \* 8/1988 Funabashi ..... D15/23
- D310,374 S \* 9/1990 Westimayer ..... D15/15

- D354,756 S \* 1/1995 Hinklin ..... D15/15
- D382,024 S \* 8/1997 Ewringmann ..... D21/431

**OTHER PUBLICATIONS**

Little Tikes, P30, 1994.\*

\* cited by examiner

*Primary Examiner*—Raphael Barkai

(74) *Attorney, Agent, or Firm*—Pyle & Piontek

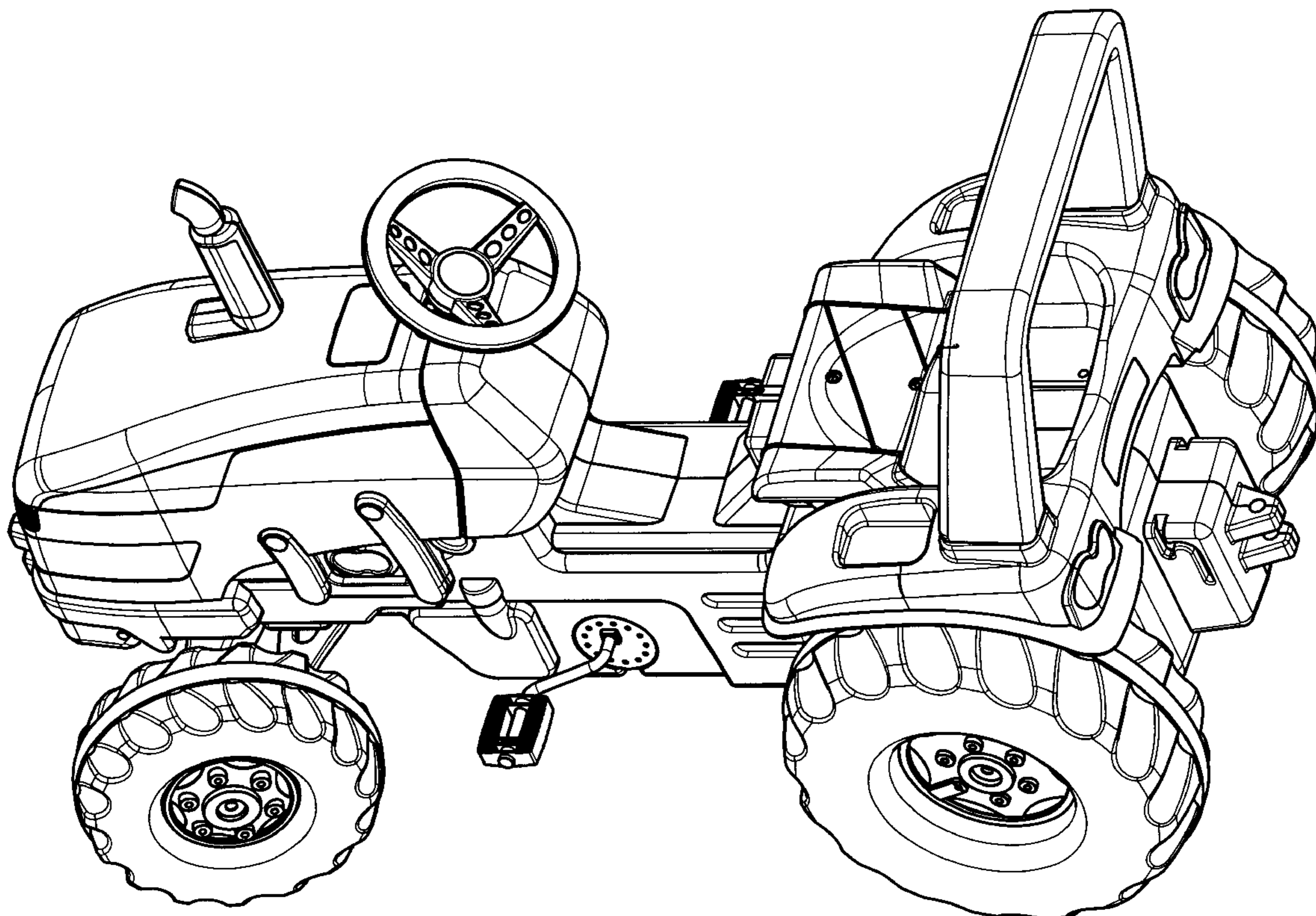
(57) **CLAIM**

I claim the ornamental design for a toy tractor, as shown.

**DESCRIPTION**

FIG. 1 is a left side view showing the new design for a toy tractor;  
 FIG. 2 is a right side view thereof;  
 FIG. 3 is a front view thereof;  
 FIG. 4 is a rear view thereof;  
 FIG. 5 is a top view thereof;  
 FIG. 6 is a bottom plan view thereof;  
 FIG. 7 is a perspective view thereof;  
 FIG. 8 is a right side view thereof showing the hood in a raised position; and,  
 FIG. 9 is a left side view thereof showing the hood in a raised position.

**1 Claim, 9 Drawing Sheets**



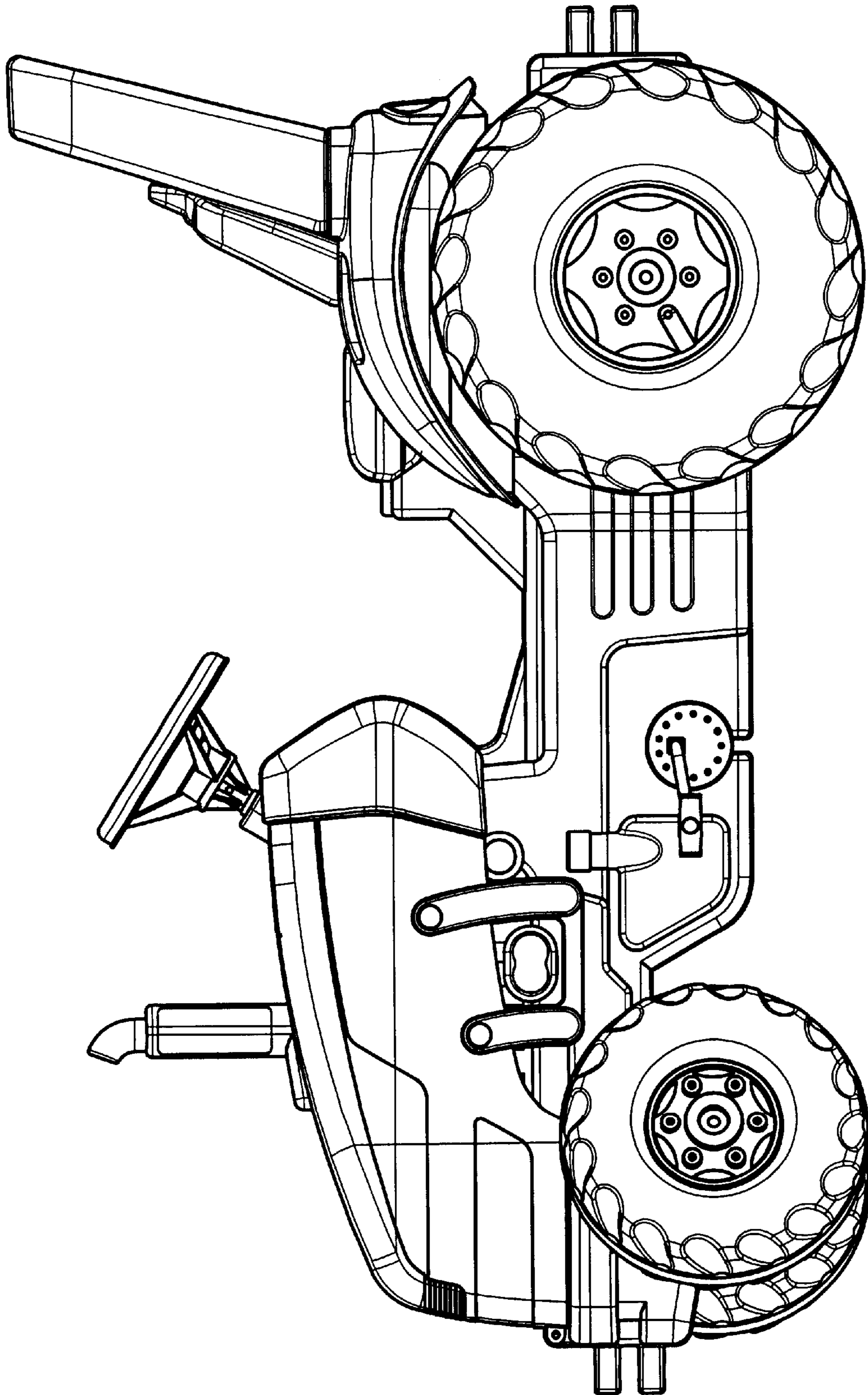


Fig. 1



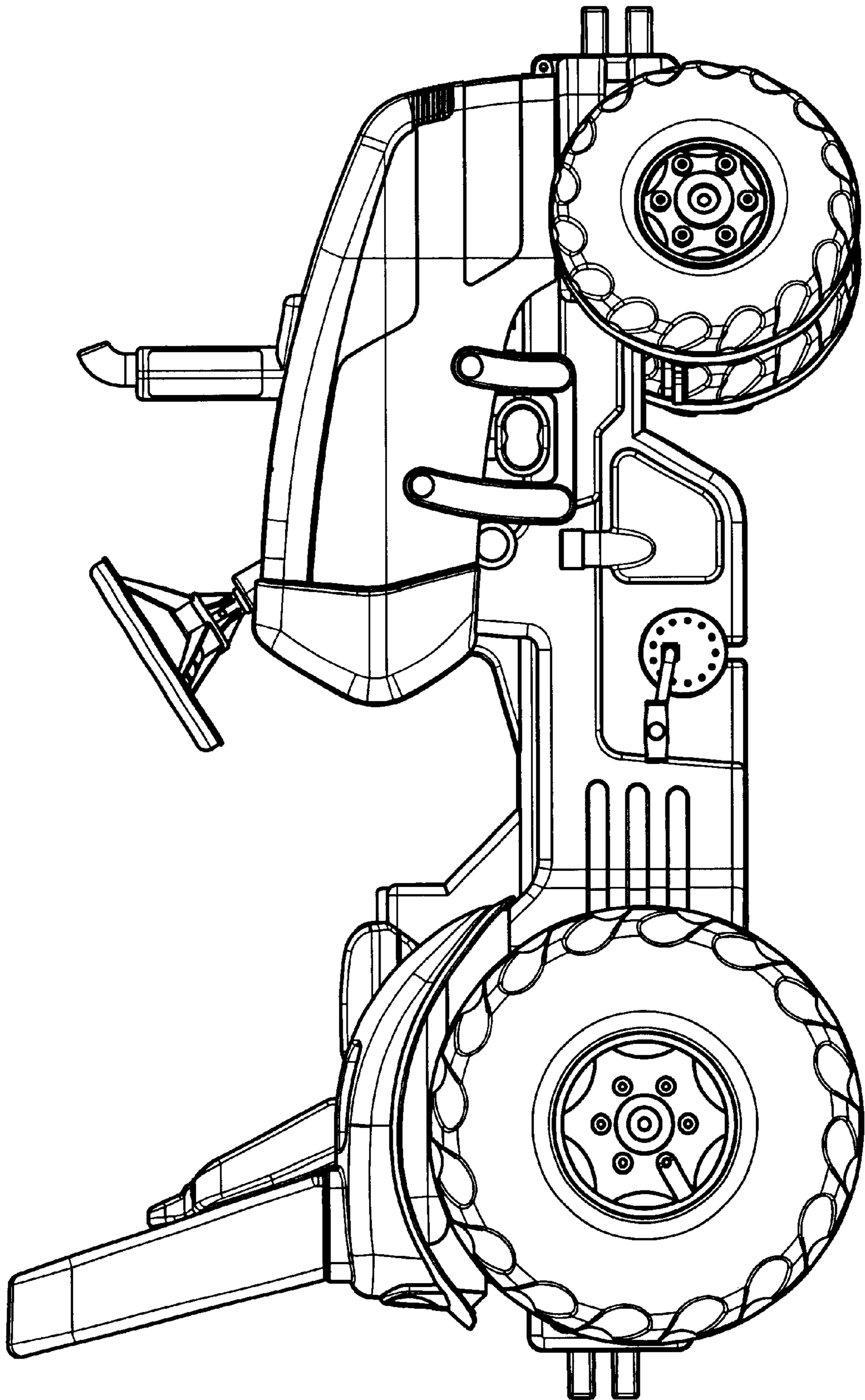


Fig. 2

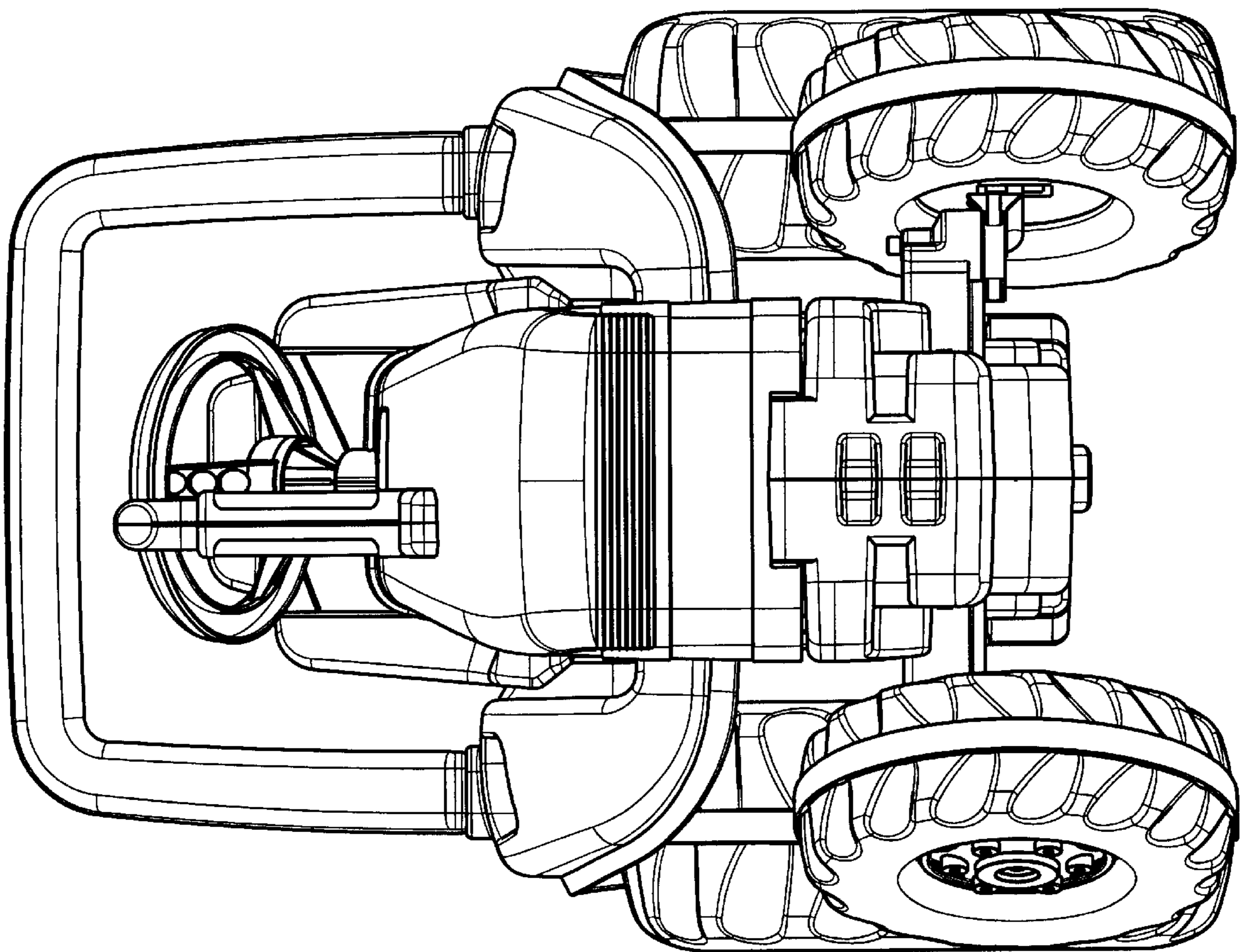


Fig. 3

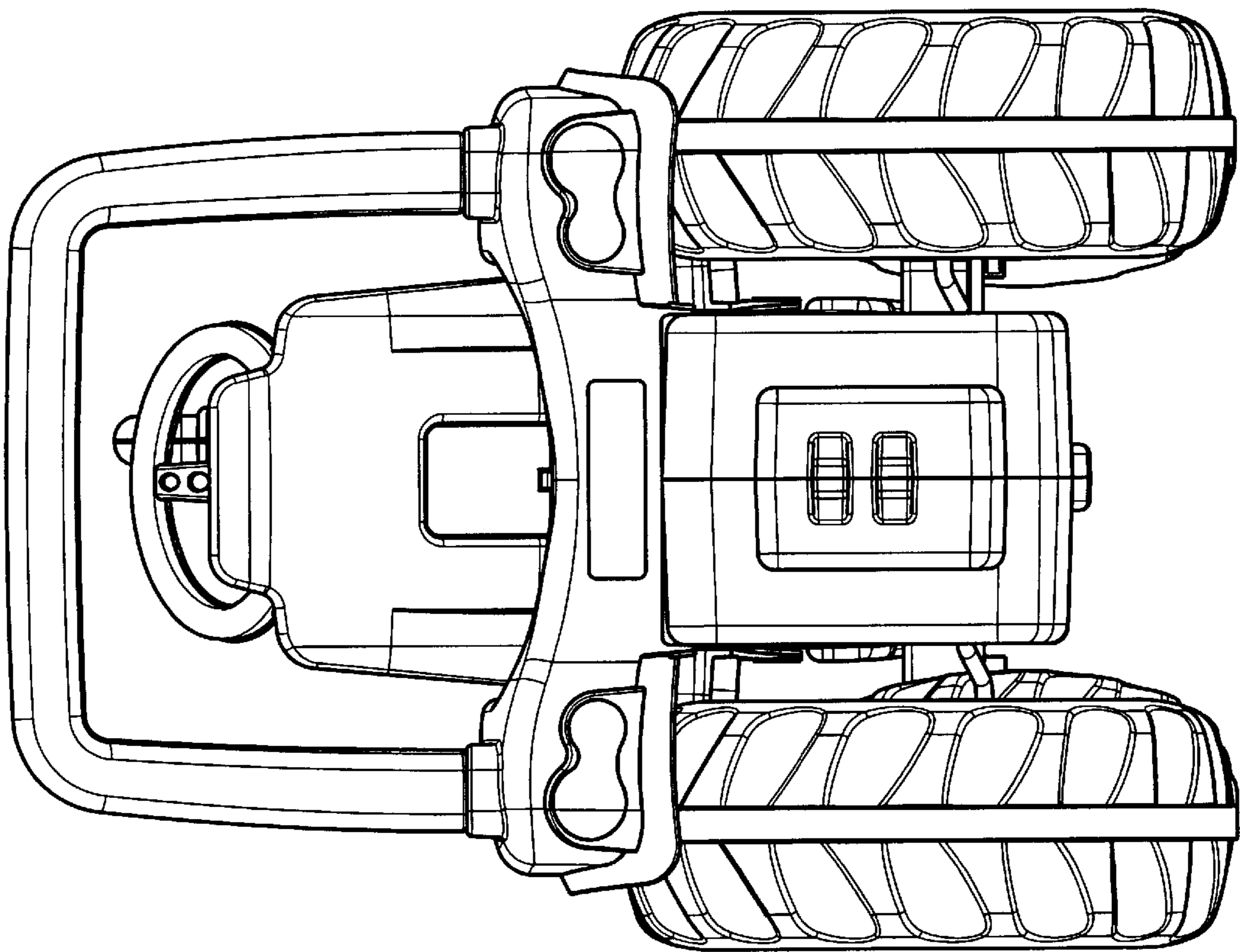


Fig. 4

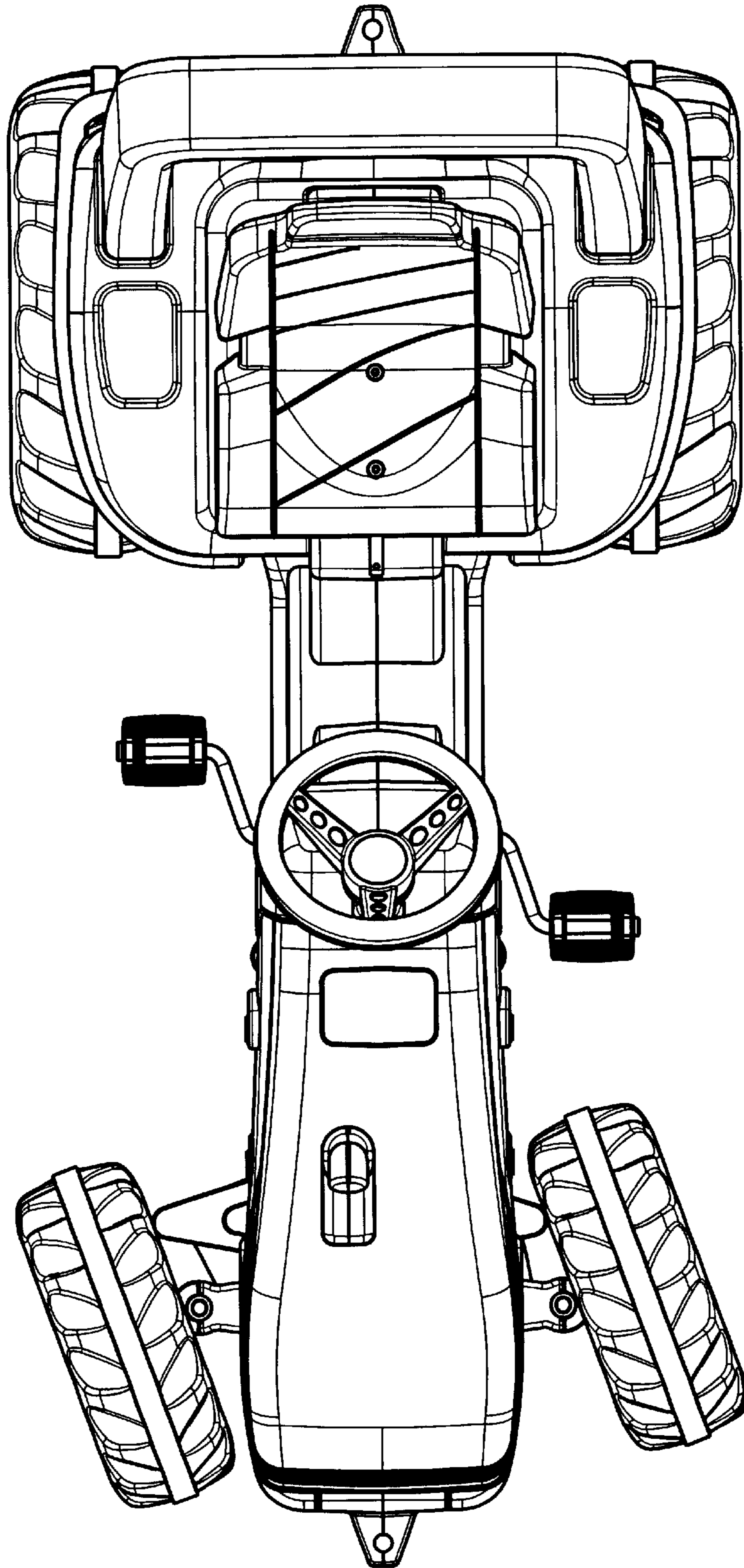


Fig. 5



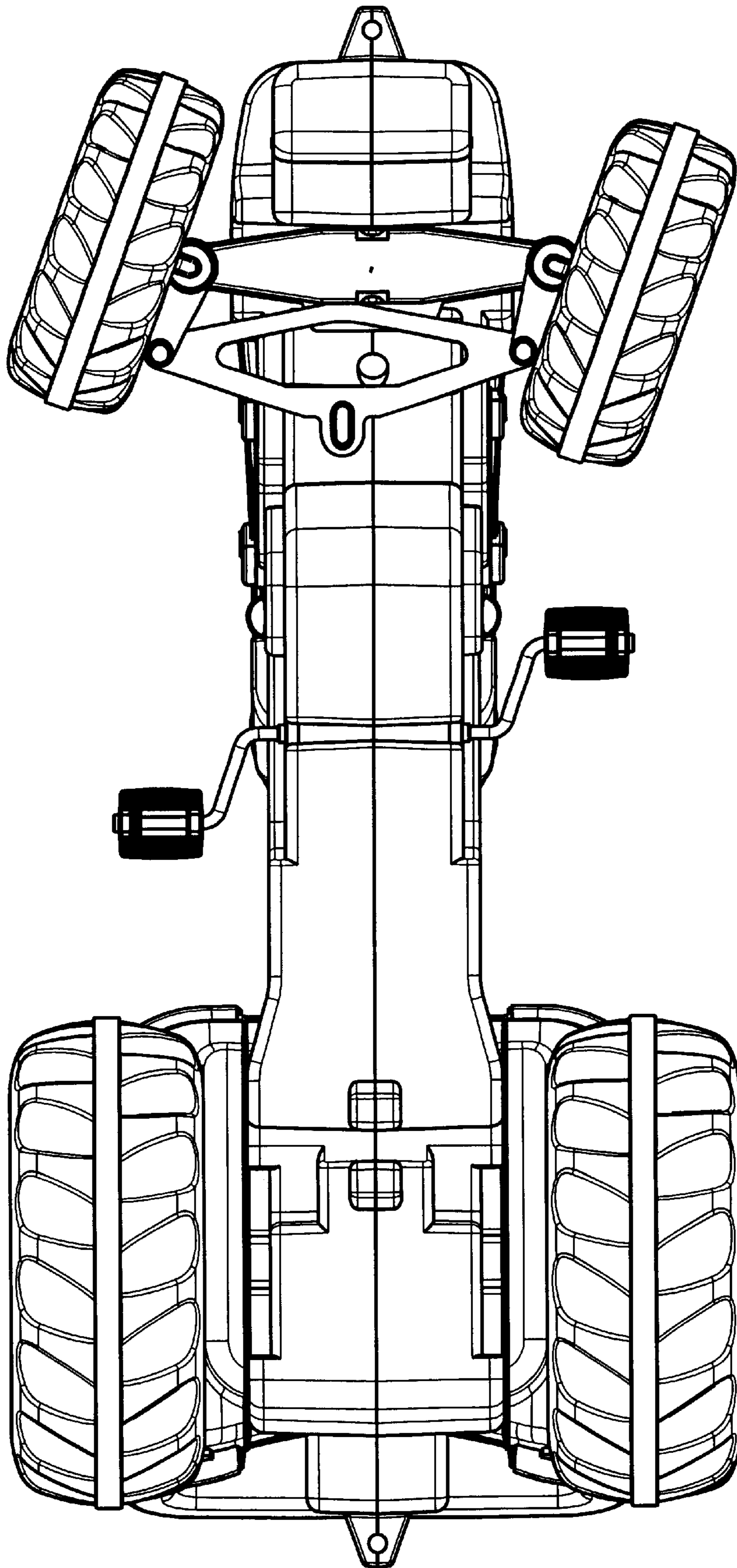


Fig. 6

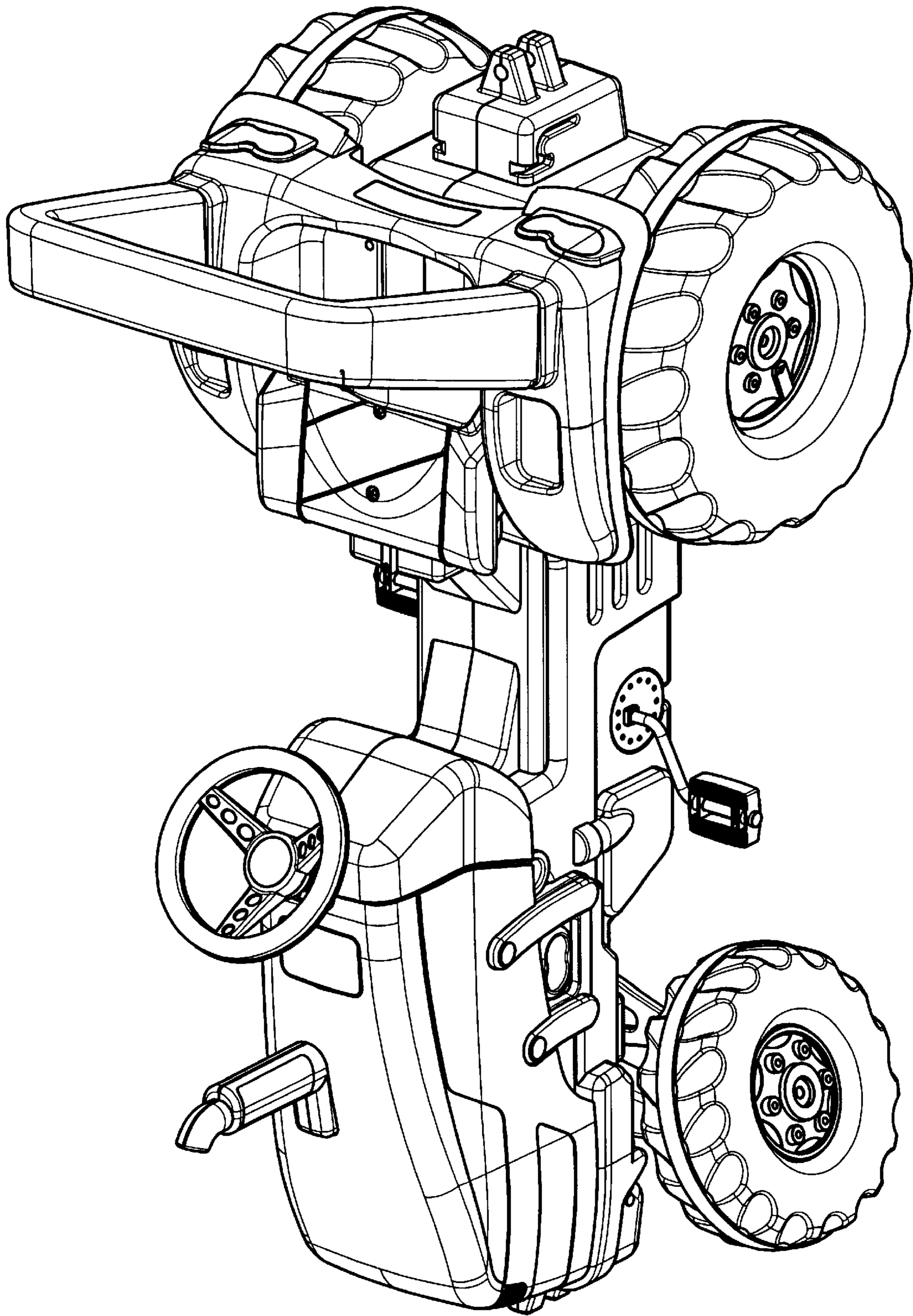


Fig. 7



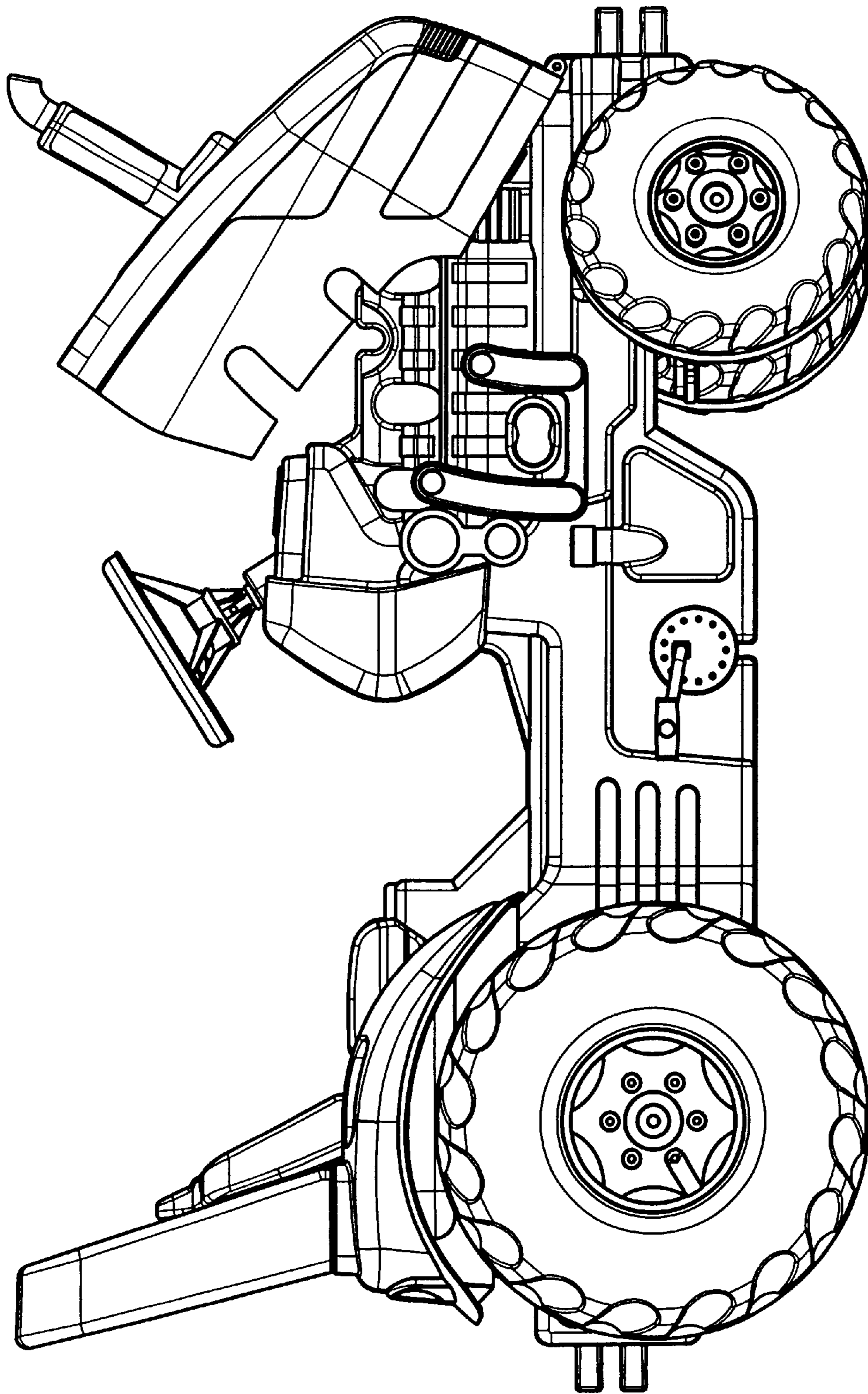


Fig. 8

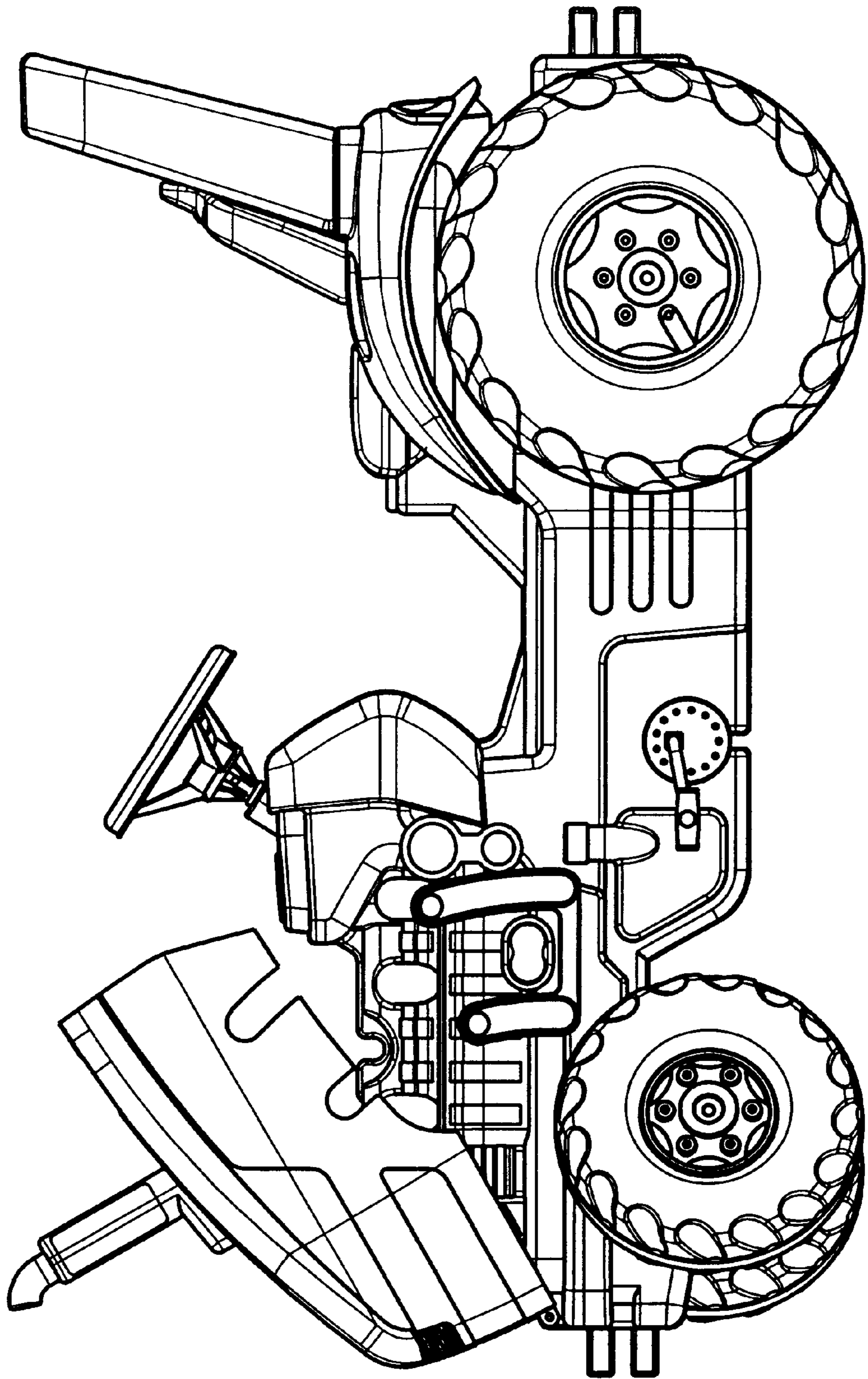


Fig. 9