



US00D478127S

(12) **United States Design Patent**
Nishikawa

(10) **Patent No.:** **US D478,127 S**

(45) **Date of Patent:** **** Aug. 5, 2003**

(54) **INFORMATION STORAGE CARTRIDGE FOR ELECTRONIC GAME MACHINE**

(75) Inventor: **Yoshitaka Nishikawa, Kyoto (JP)**

(73) Assignee: **Nintendo Co., Ltd. (JP)**

(**) Term: **14 Years**

(21) Appl. No.: **29/150,580**

(22) Filed: **Nov. 27, 2001**

(30) **Foreign Application Priority Data**

May 30, 2001	(JP)	2001-015555
May 30, 2001	(JP)	2001-015567
Sep. 7, 2001	(JP)	2001-026399

(51) **LOC (7) Cl.** **21-01**

(52) **U.S. Cl.** **D21/332; D14/435**

(58) **Field of Search** **D21/332, 333, D21/324; D14/435-438; 273/148 B; 463/1, 29, 30, 43-47; 360/132, 133; 242/341, 348, 335; 369/291, 292, 77.2, 75.1**

(56) **References Cited**

U.S. PATENT DOCUMENTS

4,149,027	A	*	4/1979	Asher et al.	463/44
D269,087	S	*	5/1983	Nishi	D14/435
D272,342	S	*	1/1984	Cheng	D14/435
D294,020	S	*	2/1988	Yukawa	D14/435

4,865,321	A	*	9/1989	Nakagawa et al.	273/148 B
5,362,068	A	*	11/1994	Liu	463/44
D376,795	S		12/1996	Ashida		
D382,868	S		8/1997	Ashida		
D396,707	S		8/1998	Ashida		
D404,081	S		1/1999	Ota et al.		
D437,323	S		2/2001	Sugino et al.		
D449,078	S		10/2001	Fujita		
D452,281	S		12/2001	Ohno		
D458,643	S	*	6/2002	Ashida	D21/332

* cited by examiner

Primary Examiner—Prabhakar Deshmukh

(74) *Attorney, Agent, or Firm*—Nixon & Vanderhye P.C.

(57) **CLAIM**

The ornamental design for a “information storage cartridge for electronic game machine”, as shown and described.

DESCRIPTION

FIG. 1 is a top plan view of an information storage cartridge for electronic game machine showing an exemplary embodiment;

FIG. 2 is a front elevational view thereof;

FIG. 3 is a bottom plan view thereof;

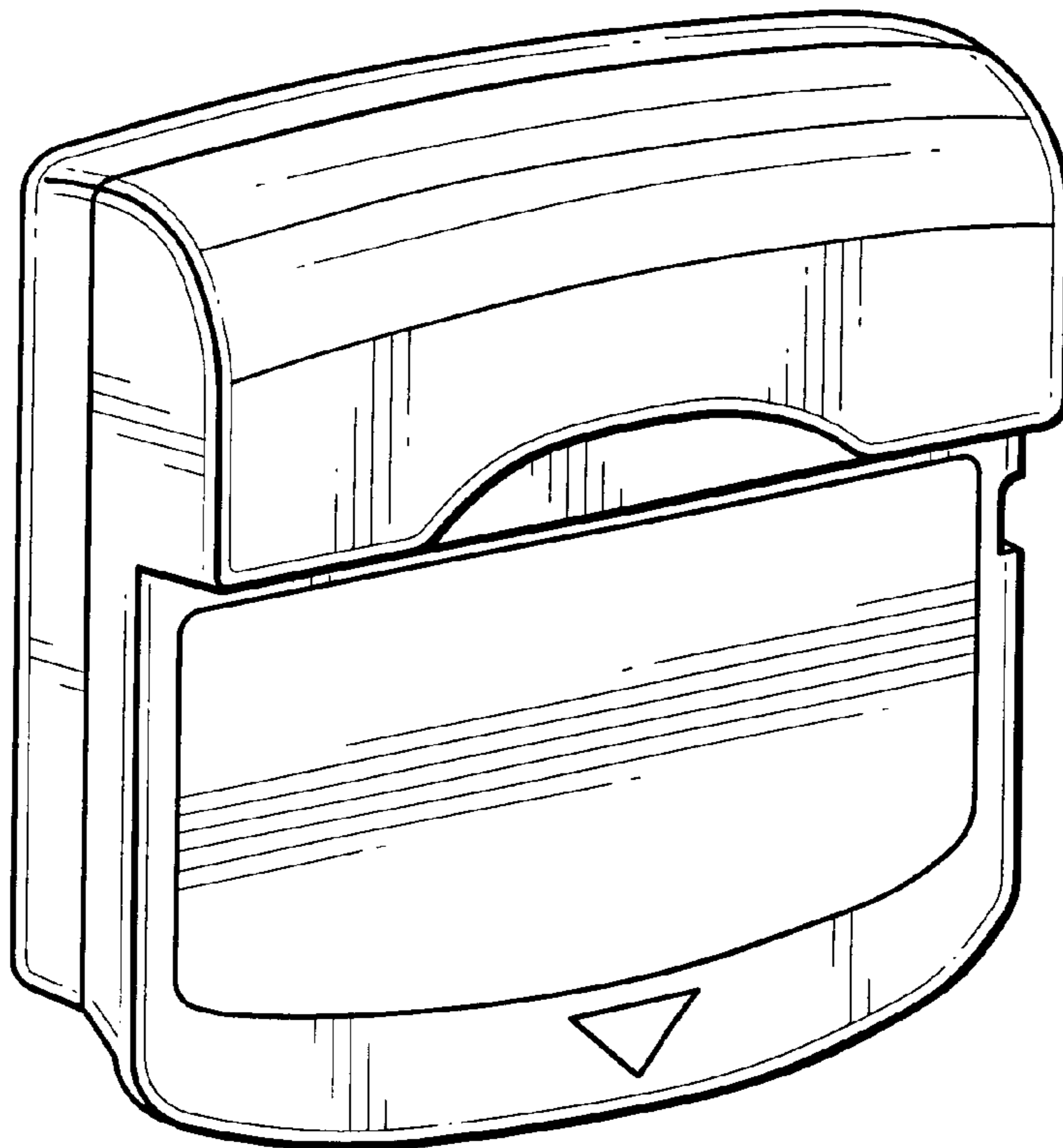
FIG. 4 is a rear elevational view thereof;

FIG. 5 is a right side view thereof;

FIG. 6 is a left side view thereof; and,

FIG. 7 is a top, rear and right side perspective view thereof.

1 Claim, 3 Drawing Sheets



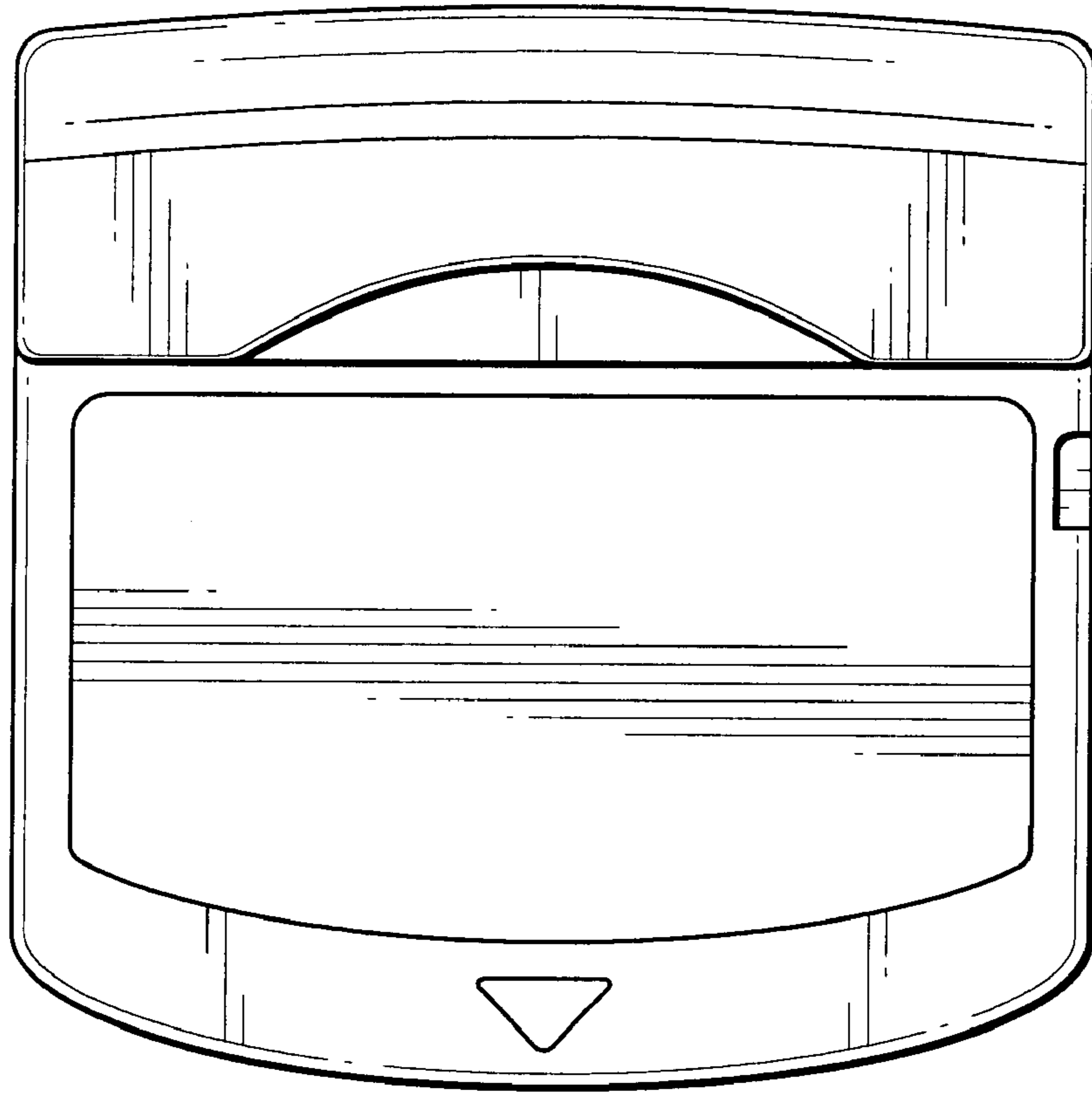


Fig. 1

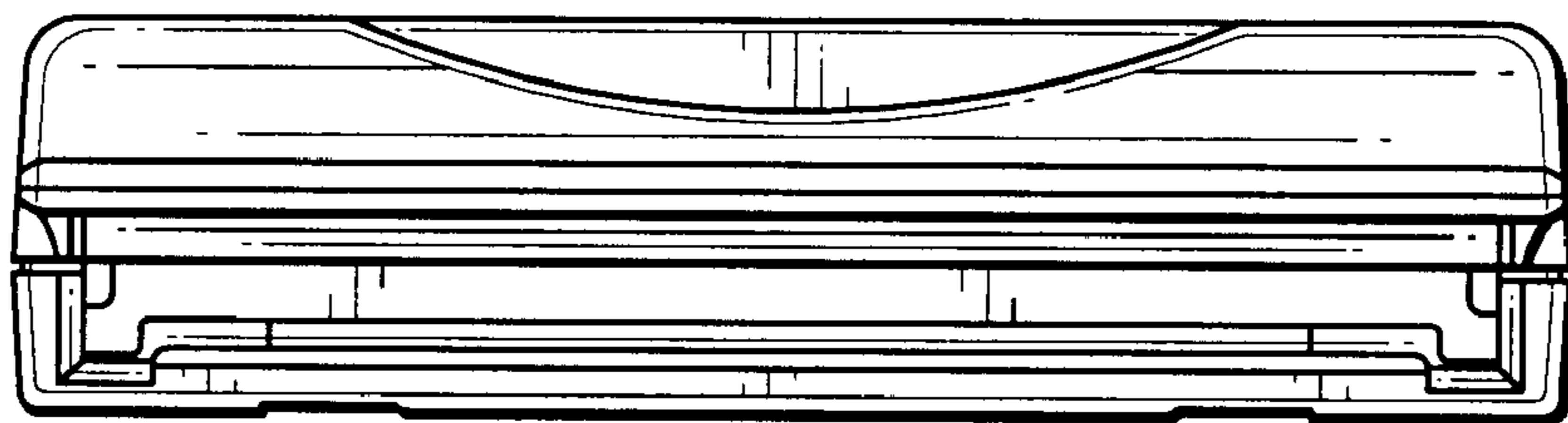


Fig. 2

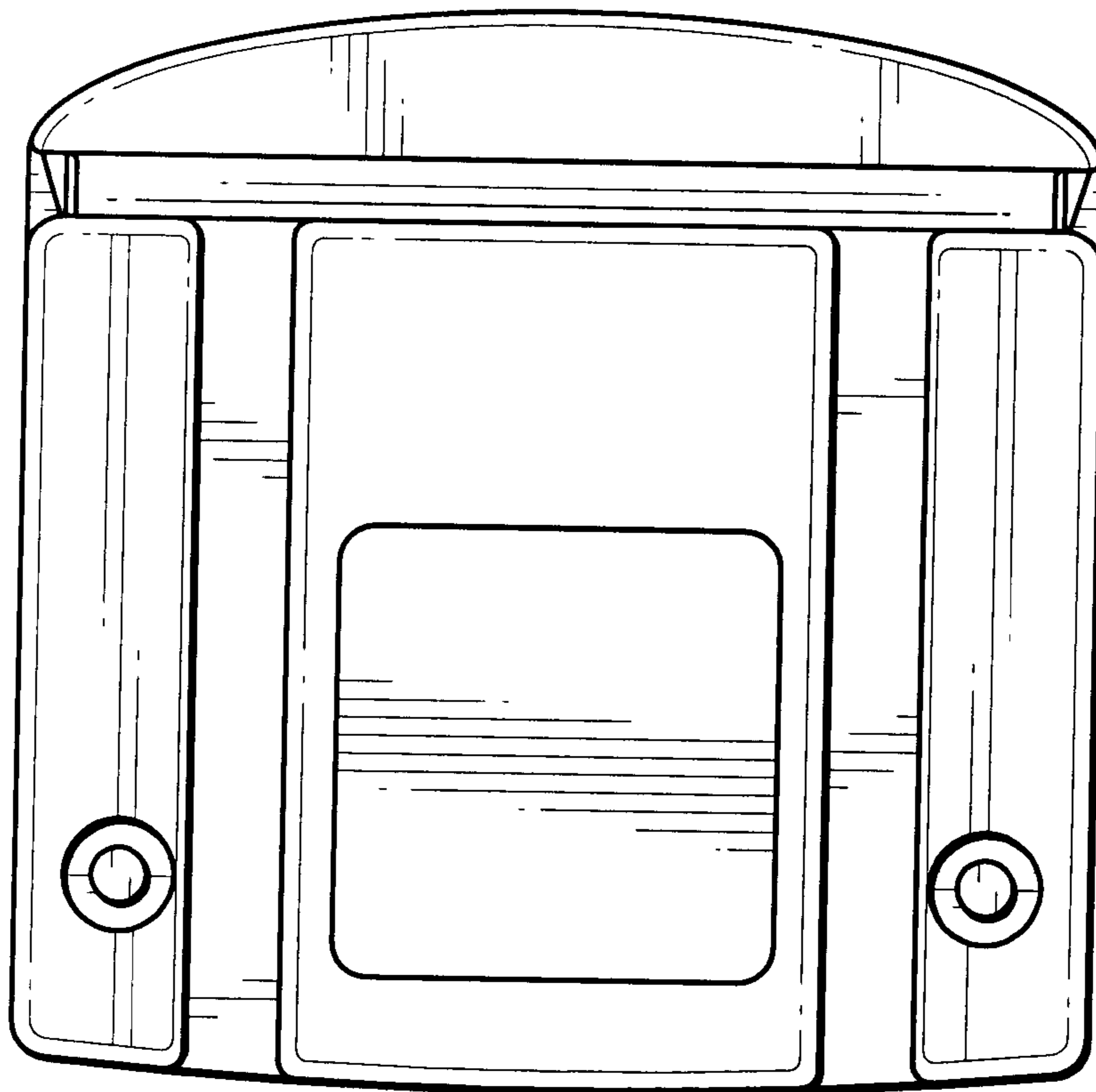


Fig. 3

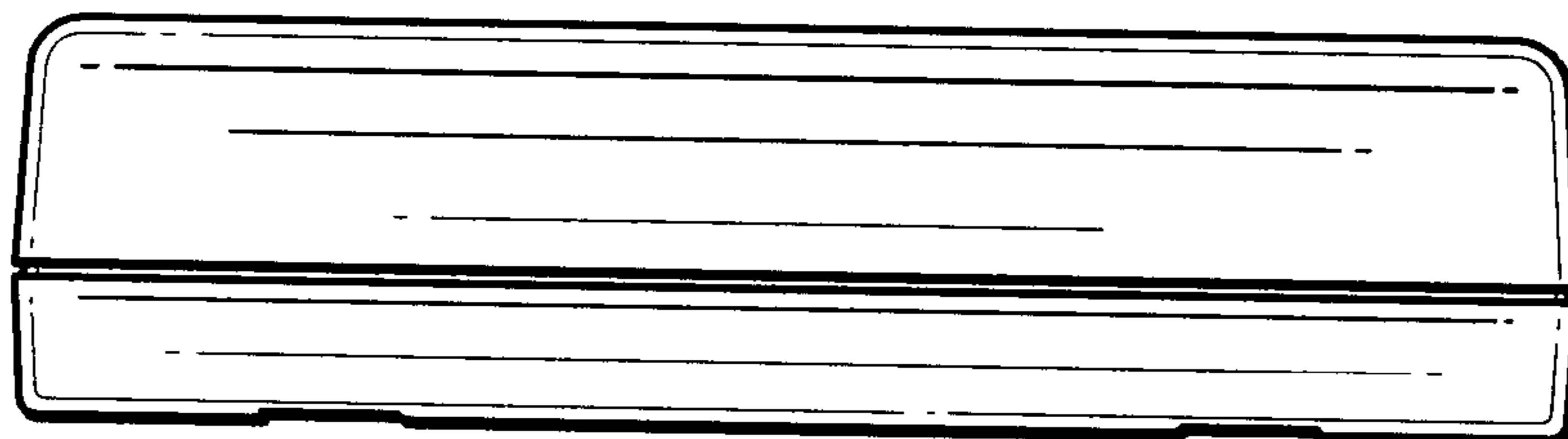


Fig. 4

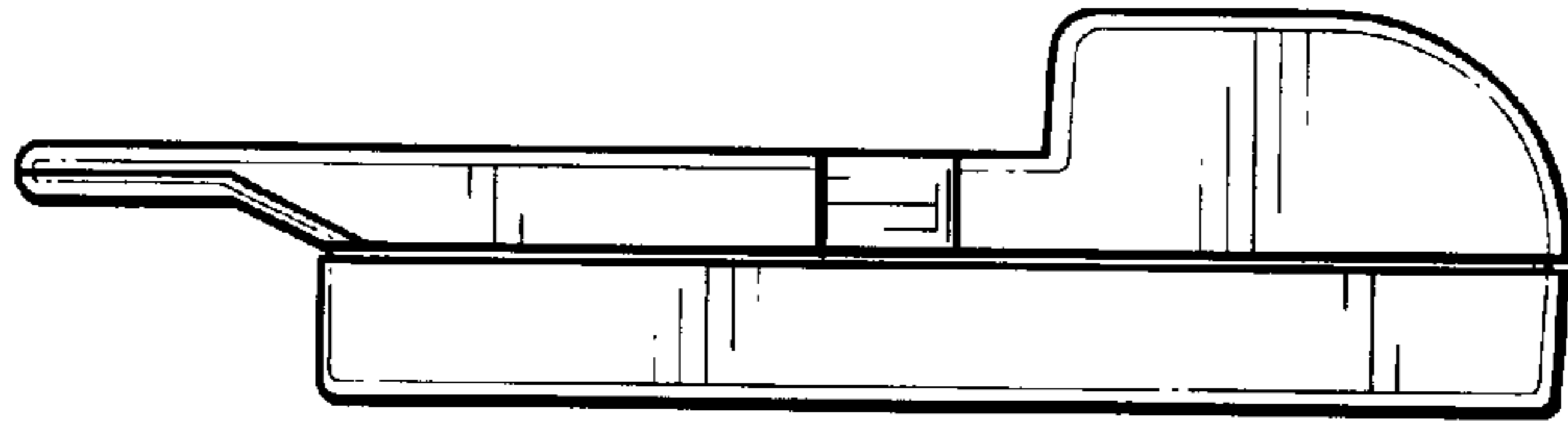


Fig. 5



Fig. 6

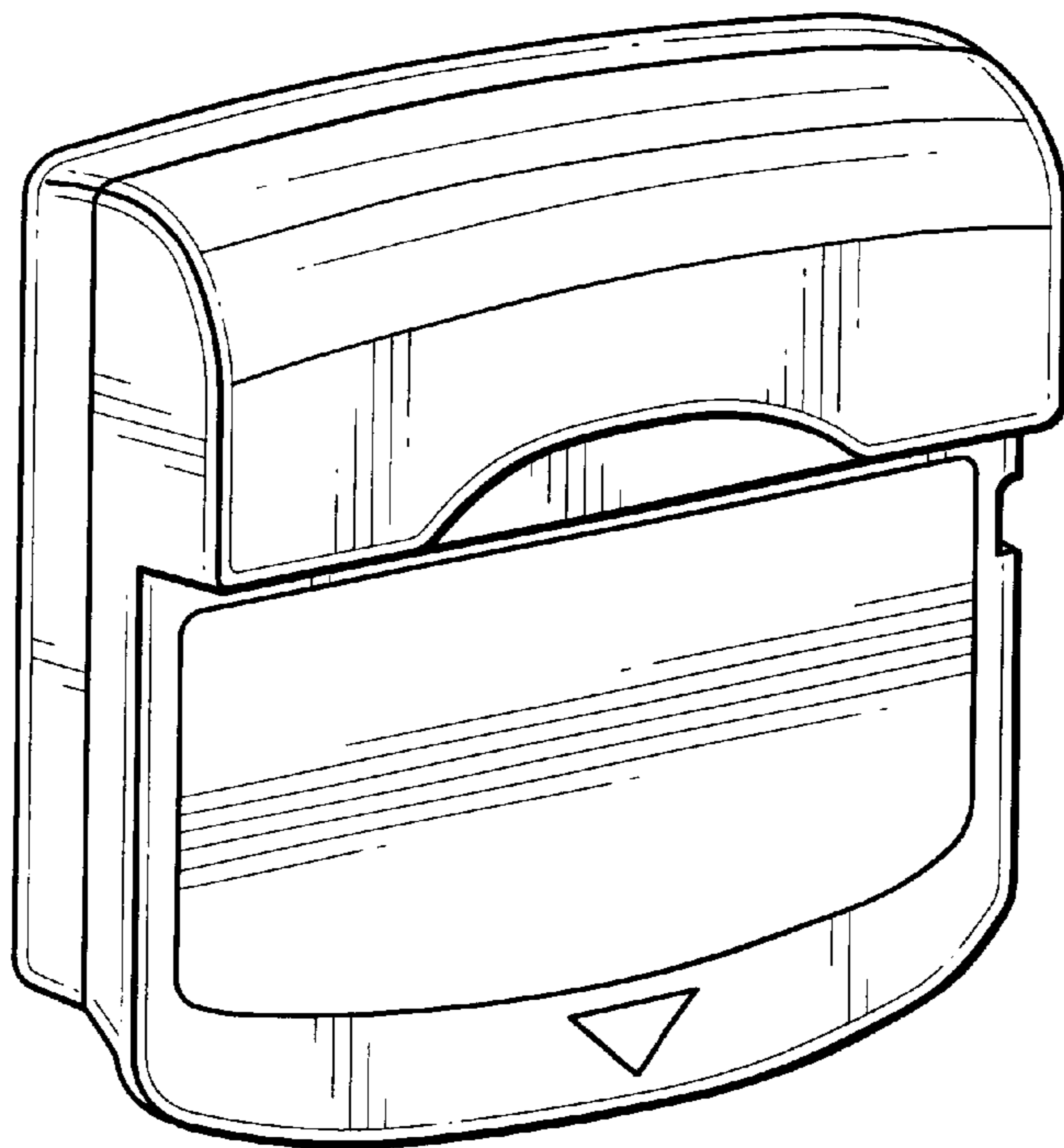


Fig. 7