



US00D478124S

(12) **United States Design Patent** (10) **Patent No.:** **US D478,124 S**
Yamamoto et al. (45) **Date of Patent:** **** Aug. 5, 2003**

(54) **TABBED DIVIDER HAVING A PLURALITY OF TRANSPARENT DISPLAY POCKETS**

(75) Inventors: **Norman Yamamoto**, Yorba Linda, CA (US); **Edward Podosek**, Wilbraham, MA (US); **Christine Hibberd**, Irvine, CA (US); **Jay K. Sato**, Aliso Viejo, CA (US)

(73) Assignee: **Avery Dennison Corporation**, Pasadena, CA (US)

(**) Term: **14 Years**

(21) Appl. No.: **29/145,853**

(22) Filed: **Jul. 30, 2001**

(51) **LOC (7) Cl.** **19-04**

(52) **U.S. Cl.** **D19/33**

(58) **Field of Search** D19/26, 27, 28-33; D6/626; 235/462.13; 396/310; 402/79, 80 P; 281/38, 31, 37; 283/71; 40/651.01, 771, 775, 776, 536, 537; 206/455, 388

(56) **References Cited**

U.S. PATENT DOCUMENTS

2,925,677 A * 2/1960 Holes 40/776
3,651,591 A * 3/1972 Woodyard 40/537

(List continued on next page.)

Primary Examiner—Martie K. Holtje

(74) *Attorney, Agent, or Firm*—Douglas N. Larson; Alan C. Rose; Oppenheimer Wolff & Donnelly LLP

(57) **CLAIM**

The ornamental design for a tabbed divider having a plurality of transparent display pockets, as shown and described.

DESCRIPTION

FIG. 1 is a front elevational view of a tabbed divider having a plurality of transparent display pockets of the present invention, with the pockets on the front side only;

FIG. 2 is a top edge view of thereof;
FIG. 3 is a left side elevational view thereof;
FIG. 4 is a right side elevational view thereof;
FIG. 5 is a bottom edge view thereof;
FIG. 6 is a rear elevational view thereof;
FIG. 7 is an enlarged cross-sectional view taken on lines 7—7 of FIGS. 1, 11 and 17;
FIG. 8 is an enlarged cross-sectional view taken on lines 8—8 of FIGS. 1, 11 and 17;
FIG. 9 is an enlarged cross-sectional view taken on lines 9—9 of FIGS. 1, 11 and 17;
FIG. 10 is an enlarged cross-sectional view taken on lines 10—10 of FIGS. 1, 11 and 17;
FIG. 11 is a front elevational view of a second embodiment of our invention of FIG. 1;
FIG. 12 is a top edge view thereof;
FIG. 13 is a left side elevational view thereof;
FIG. 14 is a right side elevational view thereof;
FIG. 15 is a bottom edge view thereof;
FIG. 16 is a rear elevational view thereof;
FIG. 17 is a front elevational view of a third embodiment of our invention of FIG. 1;
FIG. 18 is a top edge view thereof;
FIG. 19 is a left side elevational view thereof;
FIG. 20 is a right side elevational view thereof;
FIG. 21 is a bottom edge view thereof;
FIG. 22 is a rear elevational view thereof;
FIG. 23 is a front elevational view of a fourth embodiment of our invention of FIG. 1, with the pockets on both the front and rear sides;
FIG. 24 is a top edge view thereof;
FIG. 25 is a left side elevational view thereof;
FIG. 26 is a right side elevational view thereof;
FIG. 27 is a bottom edge view thereof;
FIG. 28 is a rear elevational view thereof;
FIG. 29 is an enlarged cross-sectional view taken on lines 29—29 of FIG. 23;
FIG. 30 is an enlarged cross-sectional view taken on lines 30—30 of FIG. 23;
FIG. 31 is an enlarged cross-sectional view taken on lines 31—31 of FIG. 23; and,
FIG. 32 is an enlarged cross-sectional view taken on lines 32—32 of FIG. 23.

1 Claim, 8 Drawing Sheets

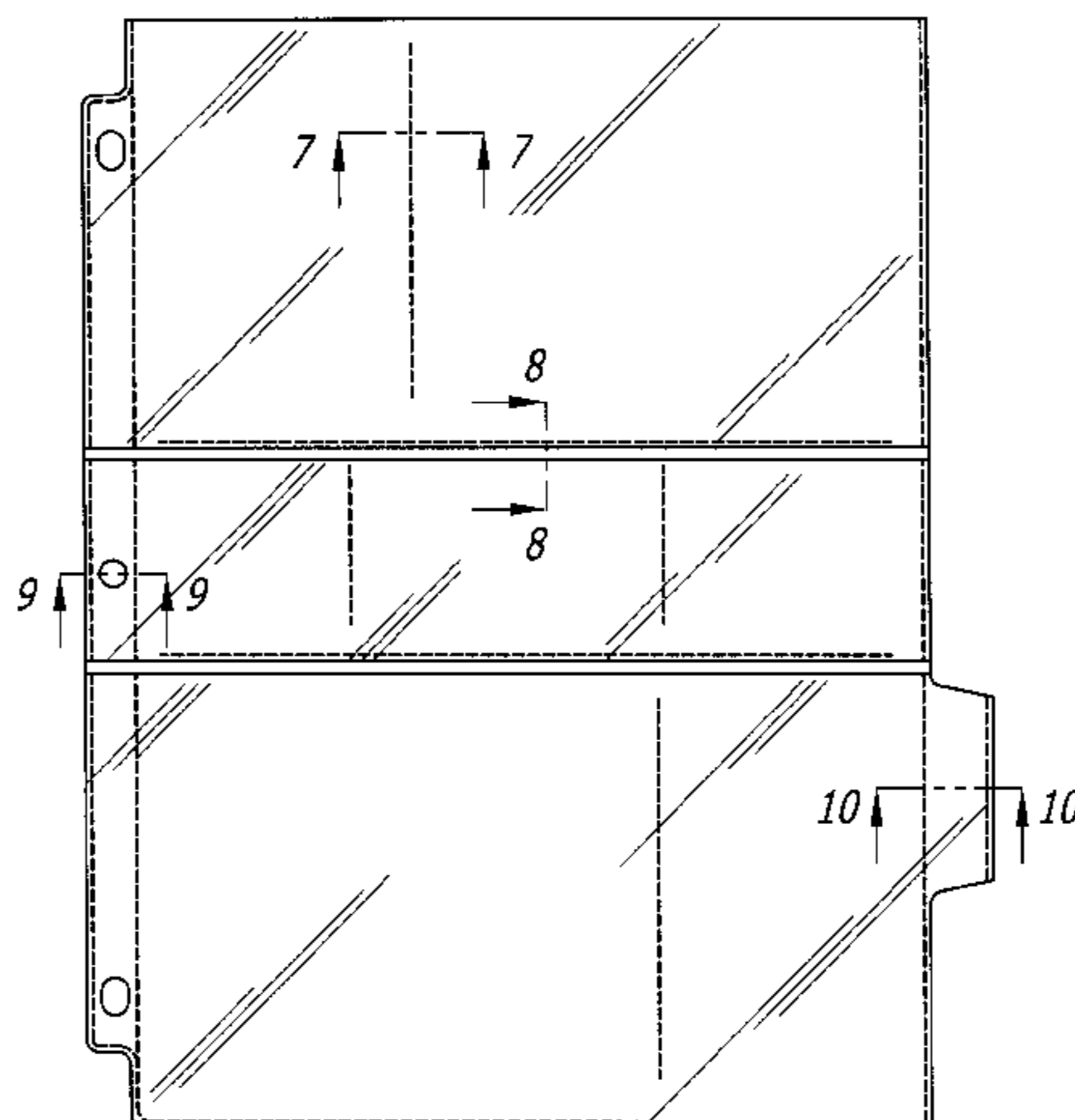


FIG. 2



FIG. 1

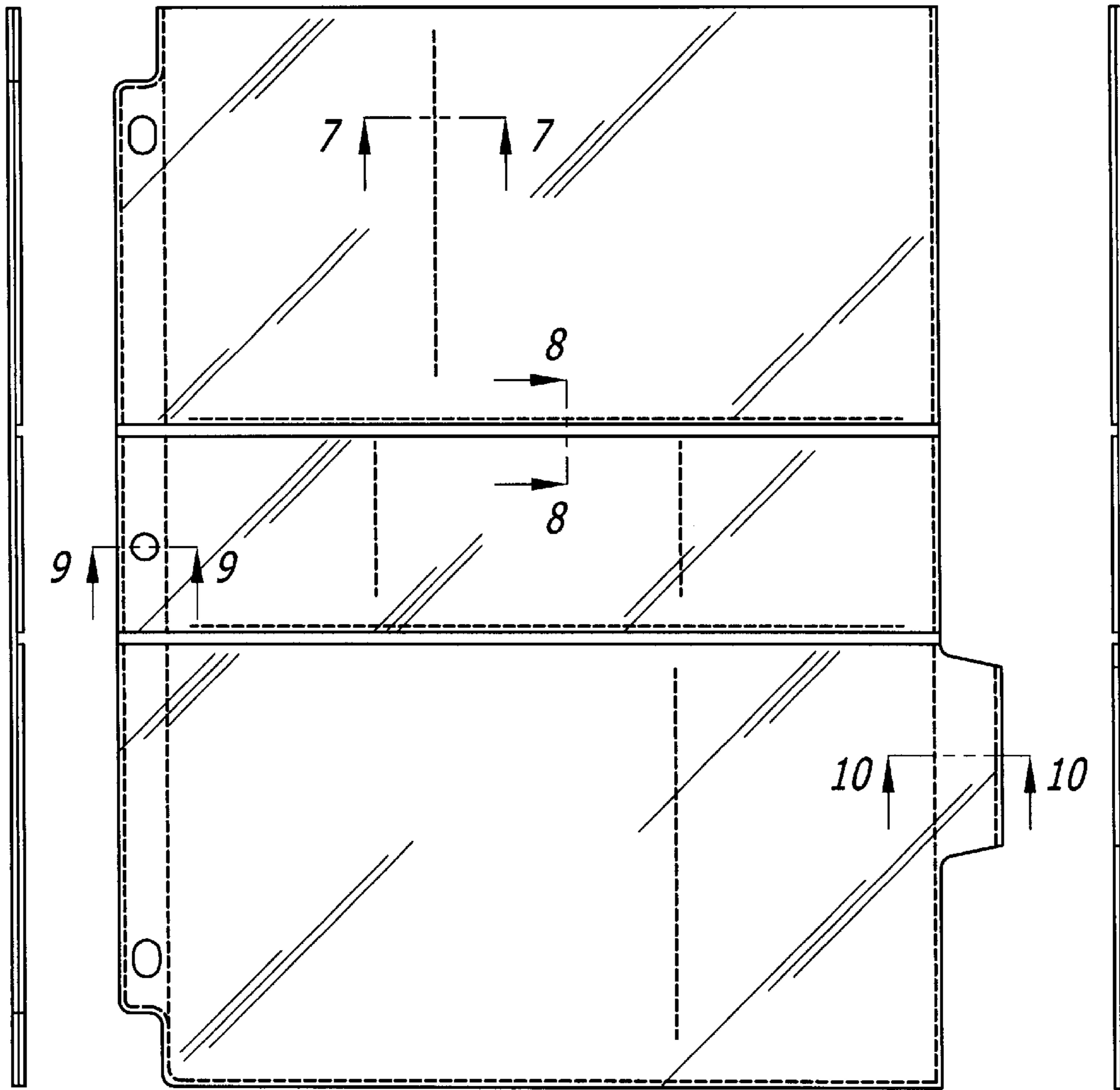


FIG. 3

FIG. 4

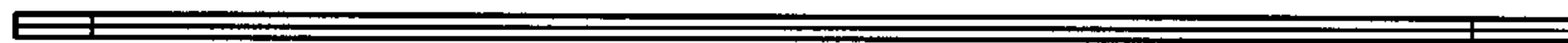


FIG. 5

FIG. 6

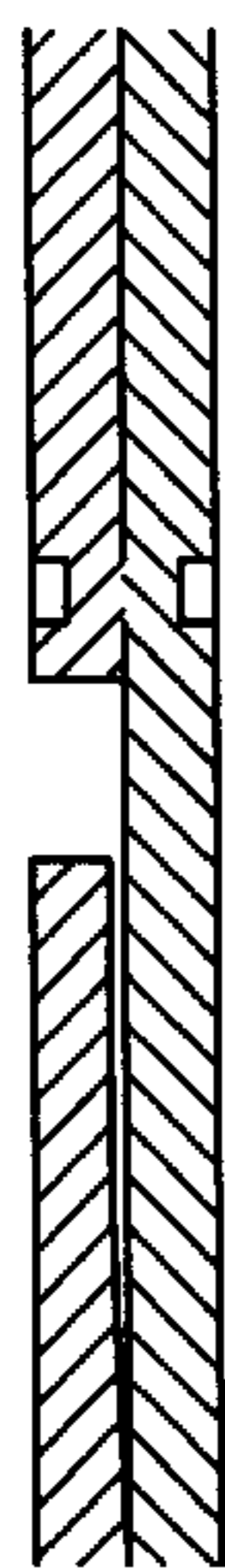
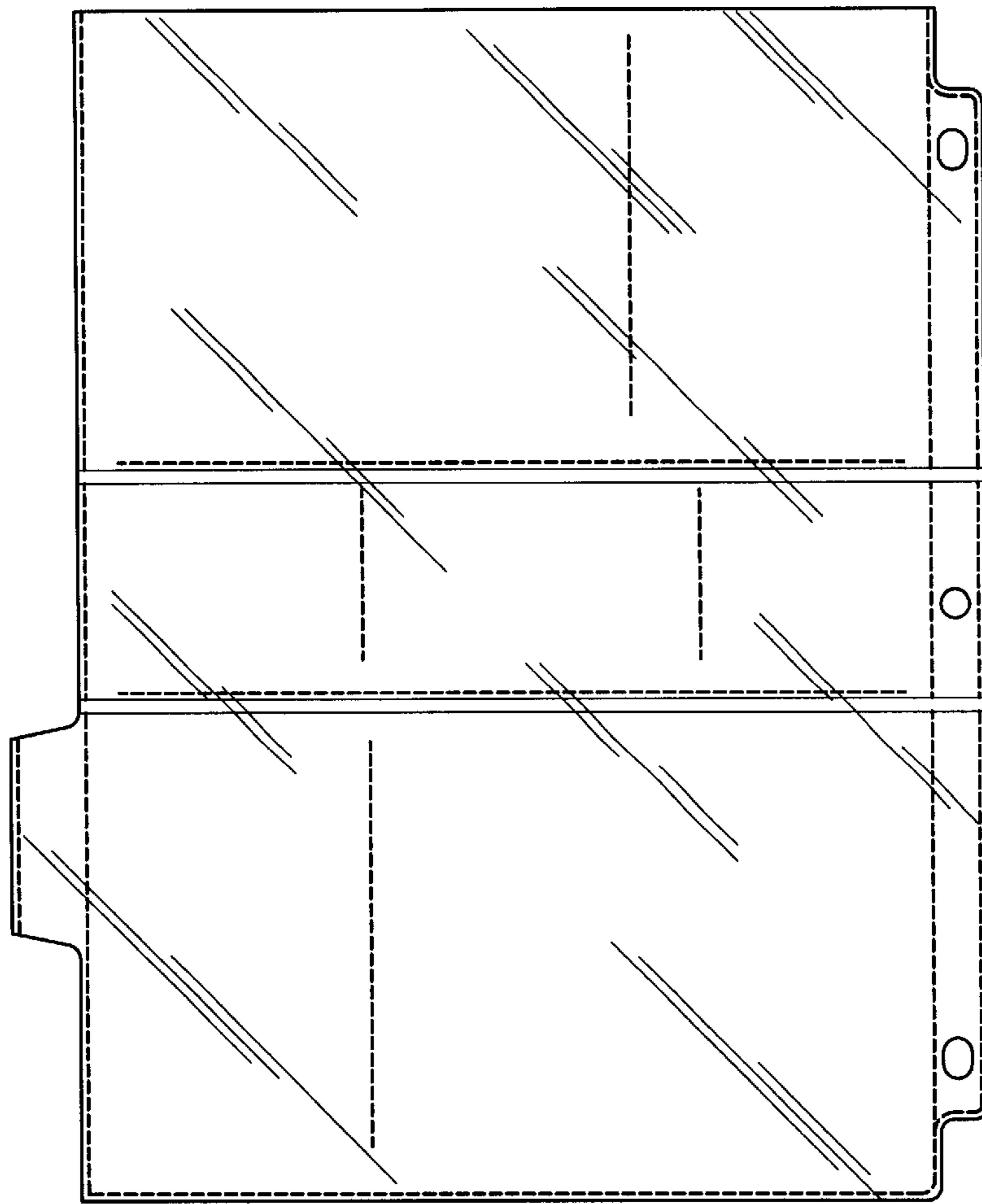


FIG. 8



FIG. 7



FIG. 9



FIG. 10

FIG. 12

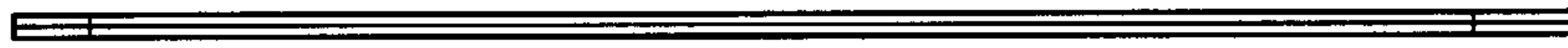


FIG. 11

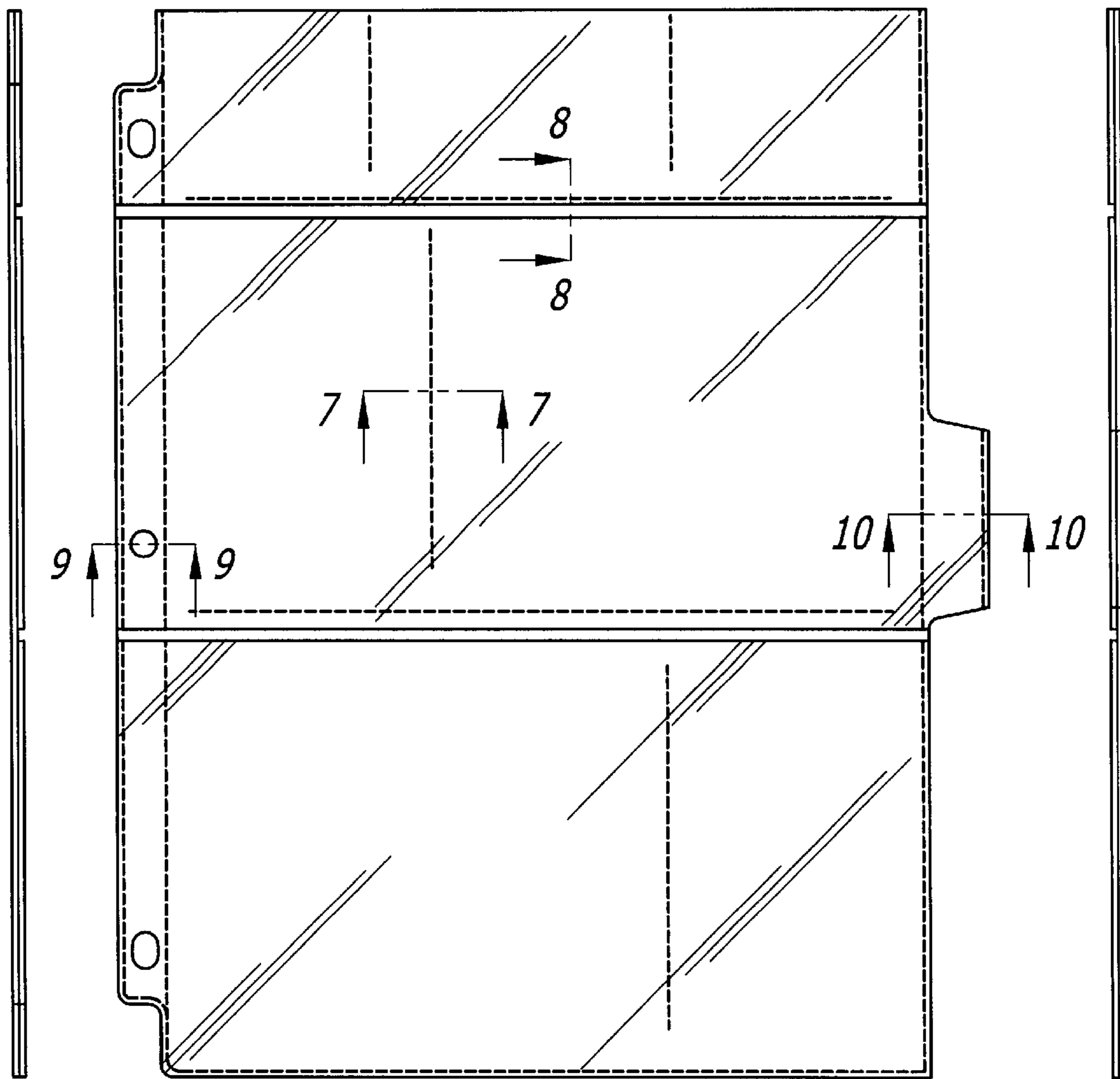


FIG. 13

FIG. 14



FIG. 15

FIG. 16

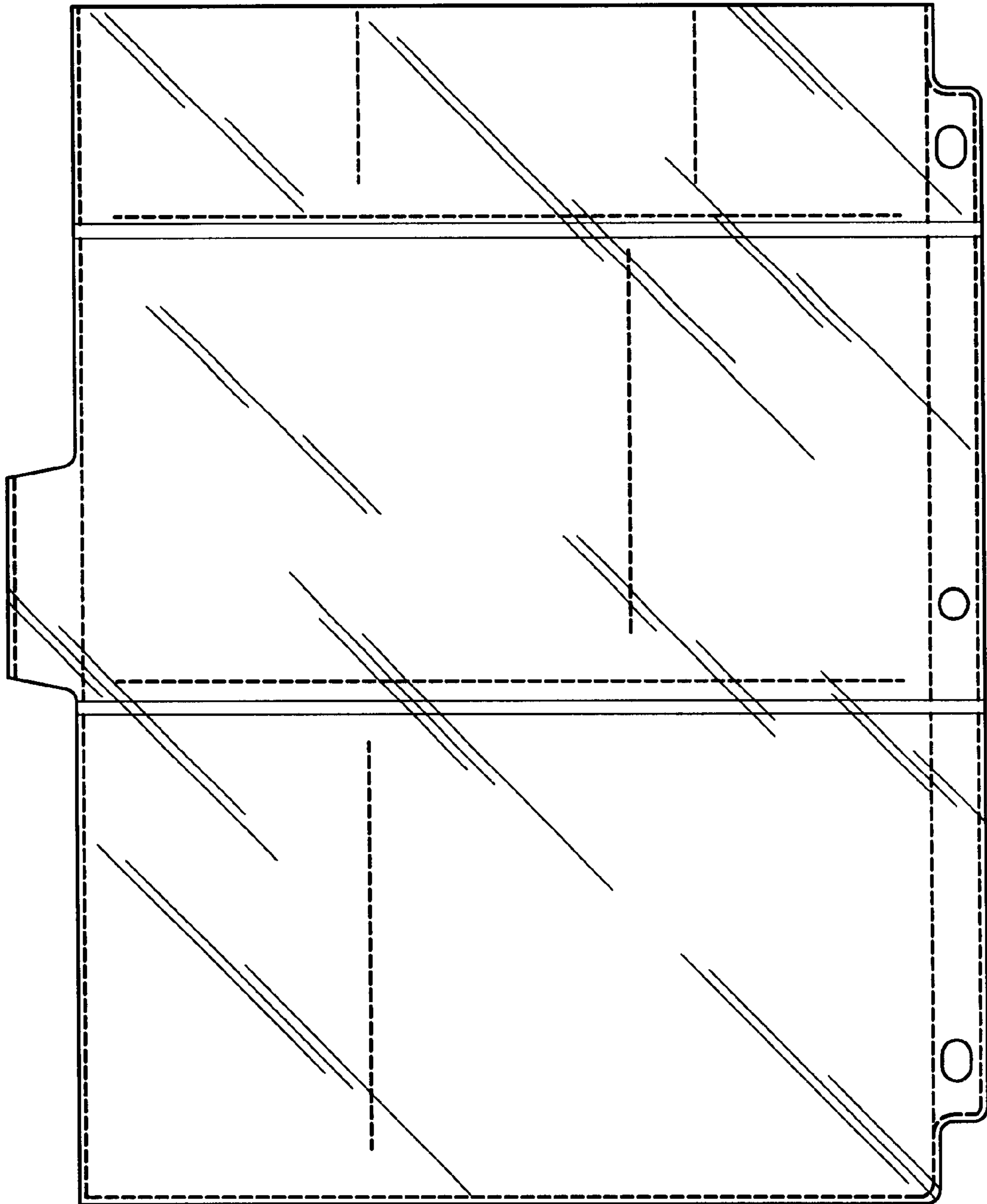


FIG. 18



FIG. 17

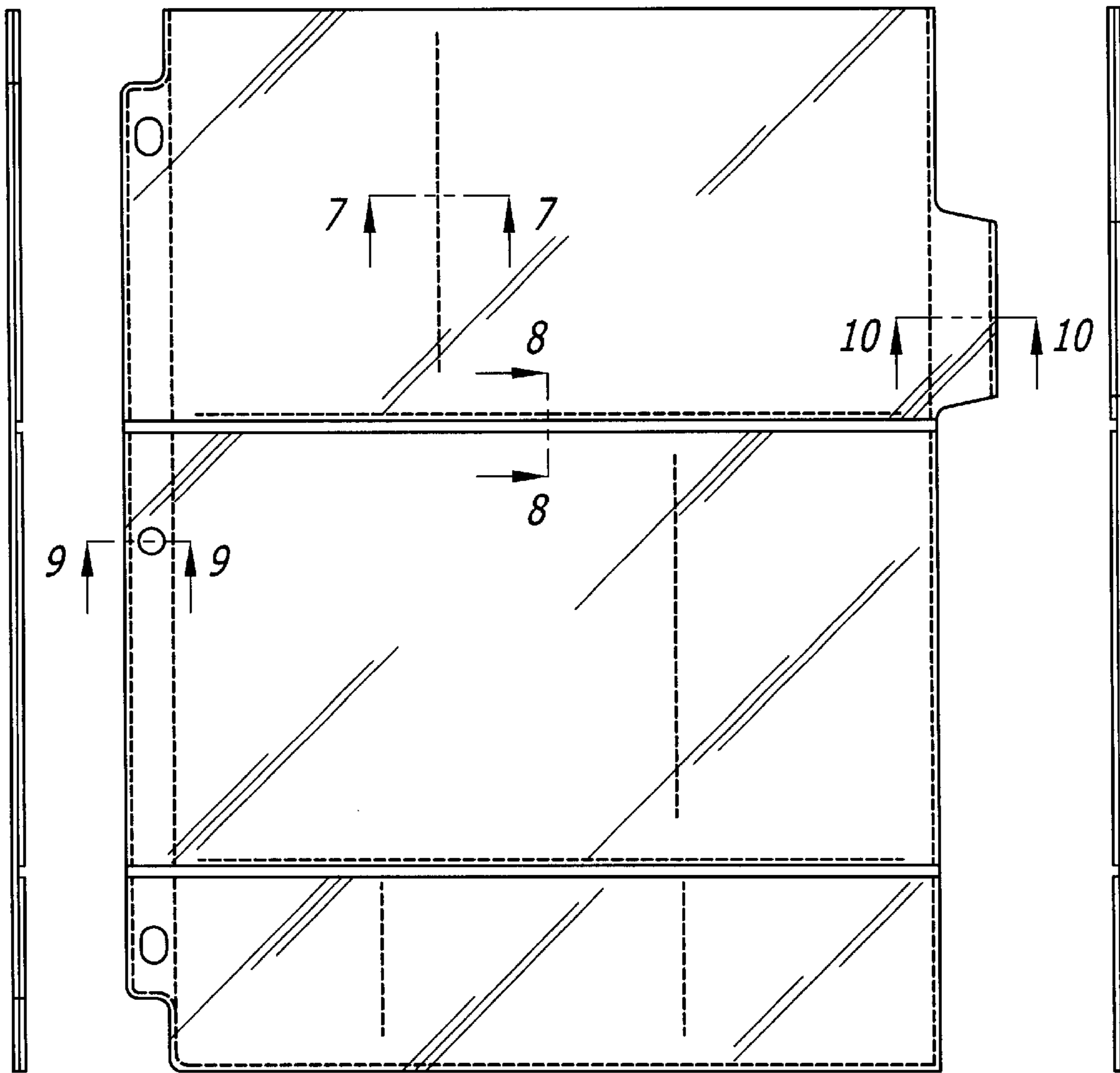


FIG. 19

FIG. 20



FIG. 21

FIG. 22

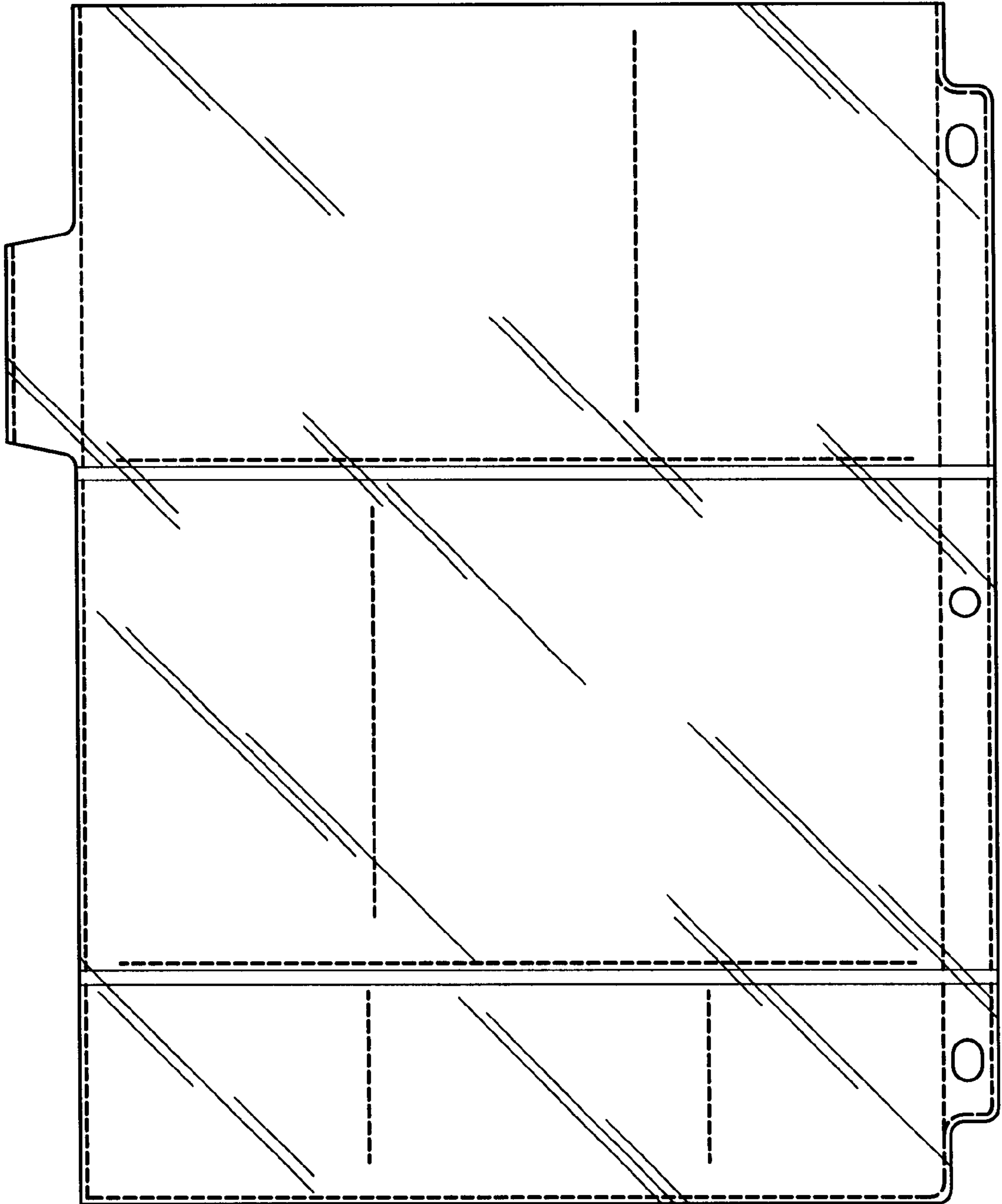


FIG. 24



FIG. 23

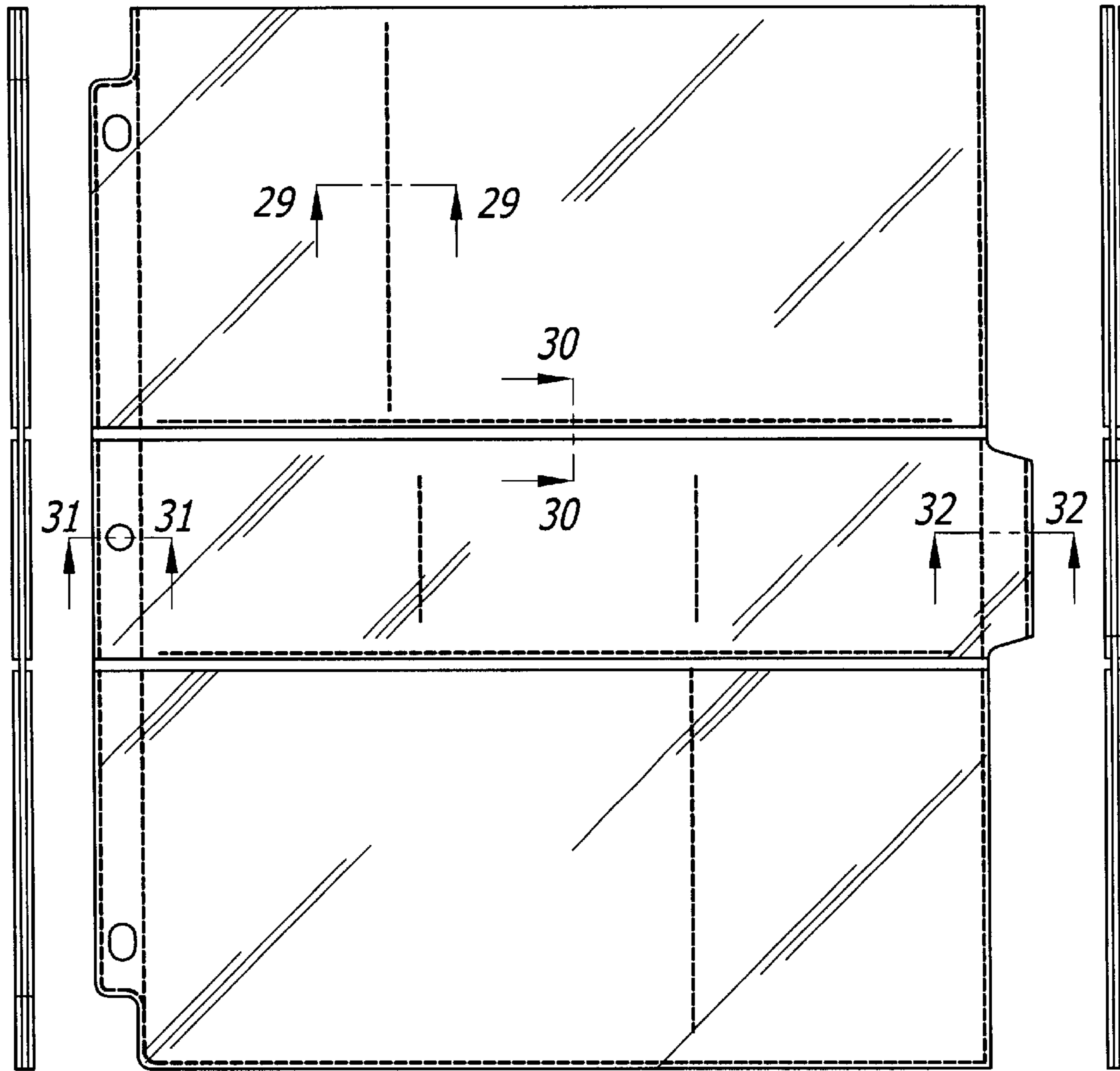


FIG. 25

FIG. 26

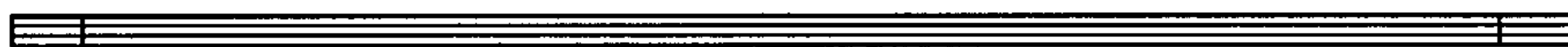


FIG. 27

FIG. 28

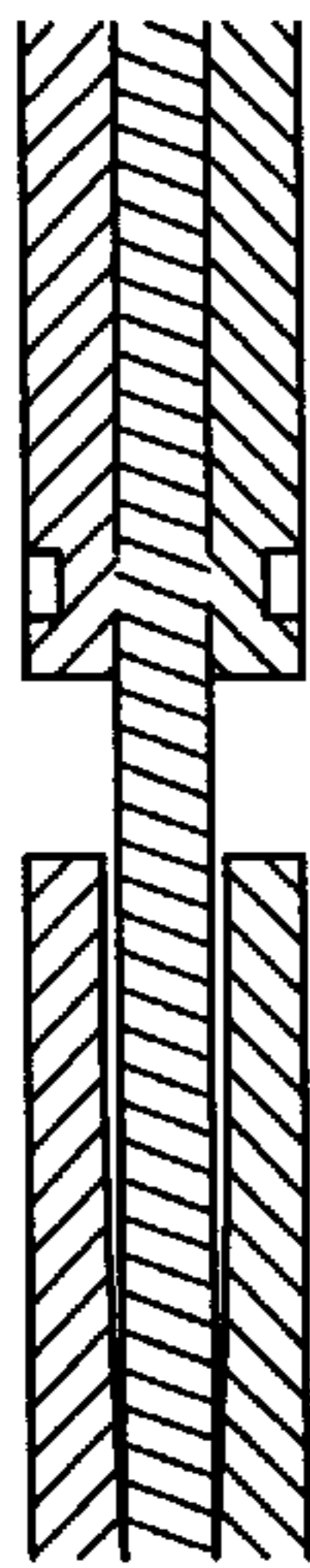
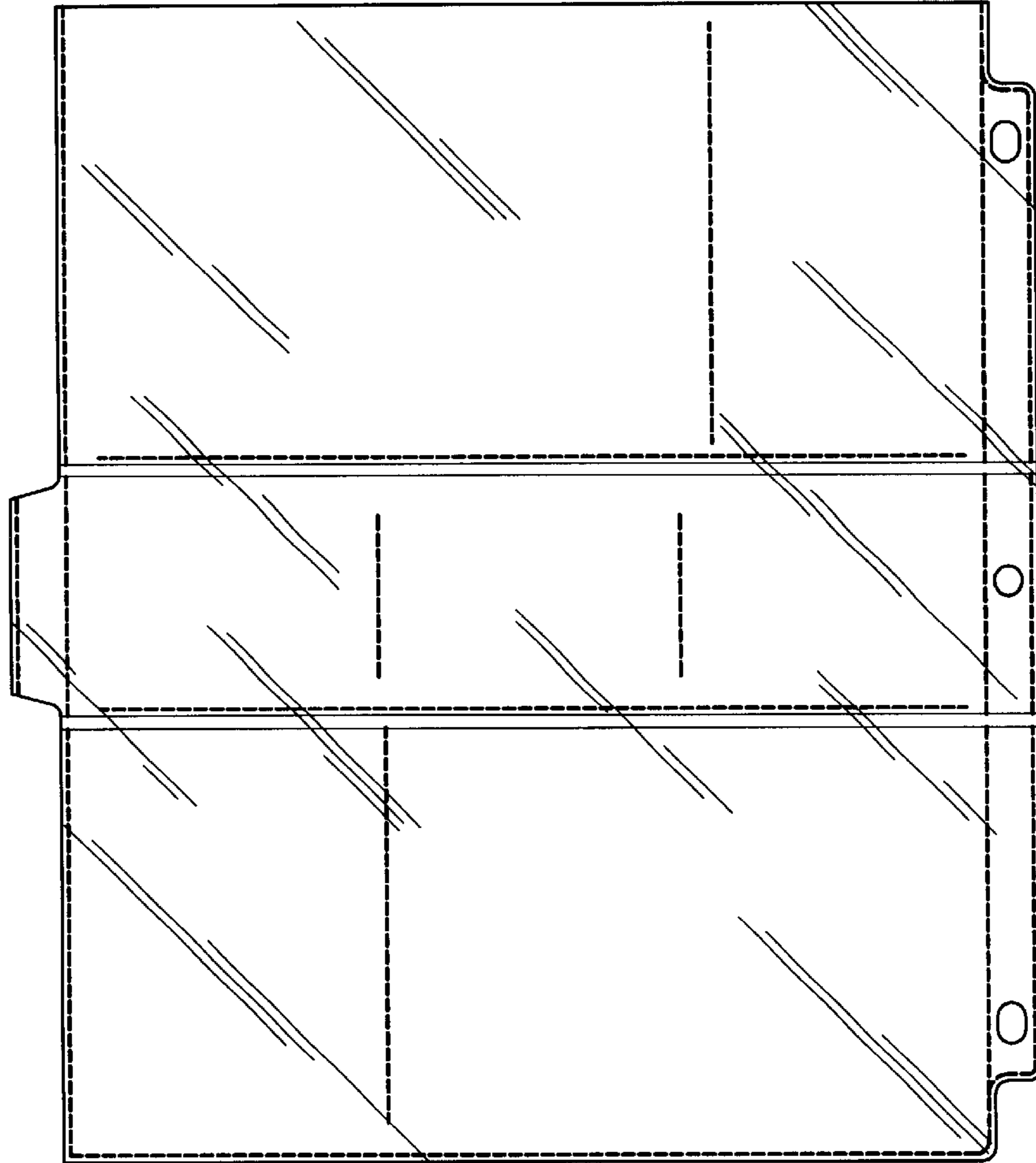


FIG. 30

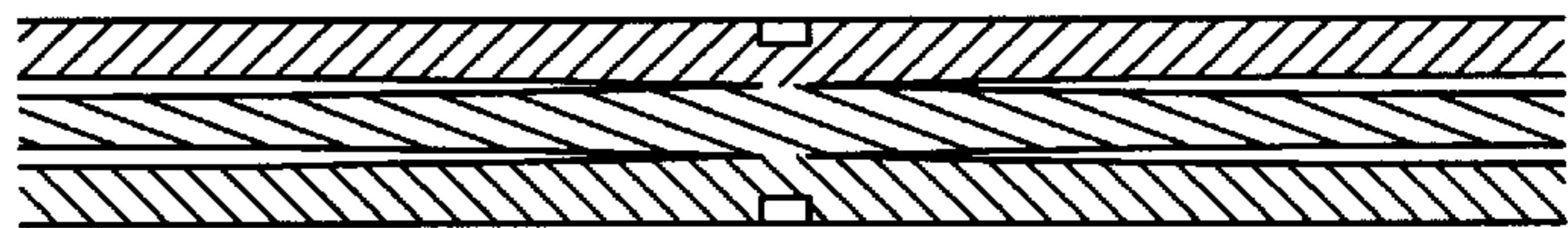


FIG. 29



FIG. 31

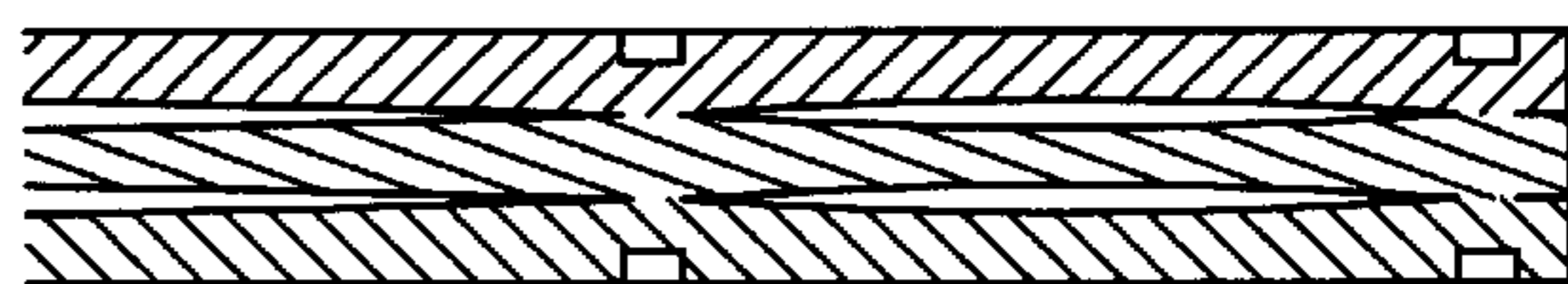


FIG. 32