



US00D478121S

(12) **United States Design Patent**  
**Forbes**

(10) **Patent No.:** **US D478,121 S**

(45) **Date of Patent:** **\*\* Aug. 5, 2003**

(54) **ENVELOPE OPENER**

(75) Inventor: **John R Forbes**, Moorsetown, NJ (US)

(73) Assignee: **Opex Corporation**, Moorestown, NJ (US)

(\*\*) Term: **14 Years**

(21) Appl. No.: **29/152,989**

(22) Filed: **Jan. 7, 2002**

(51) **LOC (7) Cl.** ..... **18-99**

(52) **U.S. Cl.** ..... **D18/99; D15/199**

(58) **Field of Search** ..... D18/99, 46, 34; D15/199; 83/912, 418, 417, 23; D8/61

(56) **References Cited**

**U.S. PATENT DOCUMENTS**

3,381,564	A	*	5/1968	Whiteford	.....	83/417
3,828,634	A	*	8/1974	Luperti	.....	83/912
3,927,589	A	*	12/1975	Emkjer et al.	.....	83/23
D250,701	S		1/1979	Krupotich		
D254,059	S		1/1980	Krupotich		
D260,133	S	*	8/1981	Power et al.	.....	D8/61
4,419,915	A	*	12/1983	Oussani	.....	D15/199
D278,250	S		4/1985	Rosensweig et al.		
4,527,455	A	*	7/1985	Morax	.....	83/912
4,576,287	A		3/1986	Bingham et al.		
D299,774	S		2/1989	Krupotich		
D309,472	S	*	7/1990	Nishida	.....	D18/99
D309,617	S	*	7/1990	Bain	.....	D15/199
D354,766	S	*	1/1995	Meister, Jr.	.....	D18/99
5,470,182	A		11/1995	Krupotich et al.		

\* cited by examiner

*Primary Examiner*—Charles A. Rademaker

(74) *Attorney, Agent, or Firm*—Stephen H. Eland; Dann, Dorfman, Herrell and Skillman

(57) **CLAIM**

The ornamental design for an envelope opener, as shown and described.

**DESCRIPTION**

FIG. 1 is a front perspective view of an envelope opener

showing my new design with a discharge bin, a safety cover and a feeder ramp;

FIG. 2 is a second front perspective view of the envelope opener shown in FIG. 1;

FIG. 3 is a front elevational view of the envelope opener shown in FIG. 1;

FIG. 4 is a top plan view of the envelope opener shown in FIG. 1;

FIG. 5 is a right side view of the envelope opener shown in FIG. 1;

FIG. 6 is a left side view of the envelope opener shown in FIG. 1;

FIG. 7 is a back elevational view of the envelope opener shown in FIG. 1;

FIG. 8 is a bottom plan view of the envelope opener shown in FIG. 1;

FIG. 9 is a perspective view of the envelope opener shown in FIG. 1 without the discharge bin;

FIG. 10 is a second perspective view of the envelope opener shown in FIG. 9;

FIG. 11 is a front elevational view of the envelope opener shown in FIG. 9;

FIG. 12 is a top plan view of the envelope opener shown in FIG. 9;

FIG. 13 is a right side view of the envelope opener shown in FIG. 9;

FIG. 14 is a left side view of the envelope opener shown in FIG. 9;

FIG. 15 is a back elevational view of the envelope opener illustrated in FIG. 9;

FIG. 16 is a bottom plan view of the envelope opener shown in FIG. 9;

FIG. 17 is a perspective view of the envelope opener shown in FIG. 1 without the discharge bin and the safety cover, in which the left side, back elevational and bottom plan views are substantially the same as the left side, back elevational and bottom plan view of the envelope opener illustrated in FIG. 9;

FIG. 18 is a plan view of the envelope opener illustrated in FIG. 17;

FIG. 19 is a right side view of the envelope opener illustrated in FIG. 17; and,

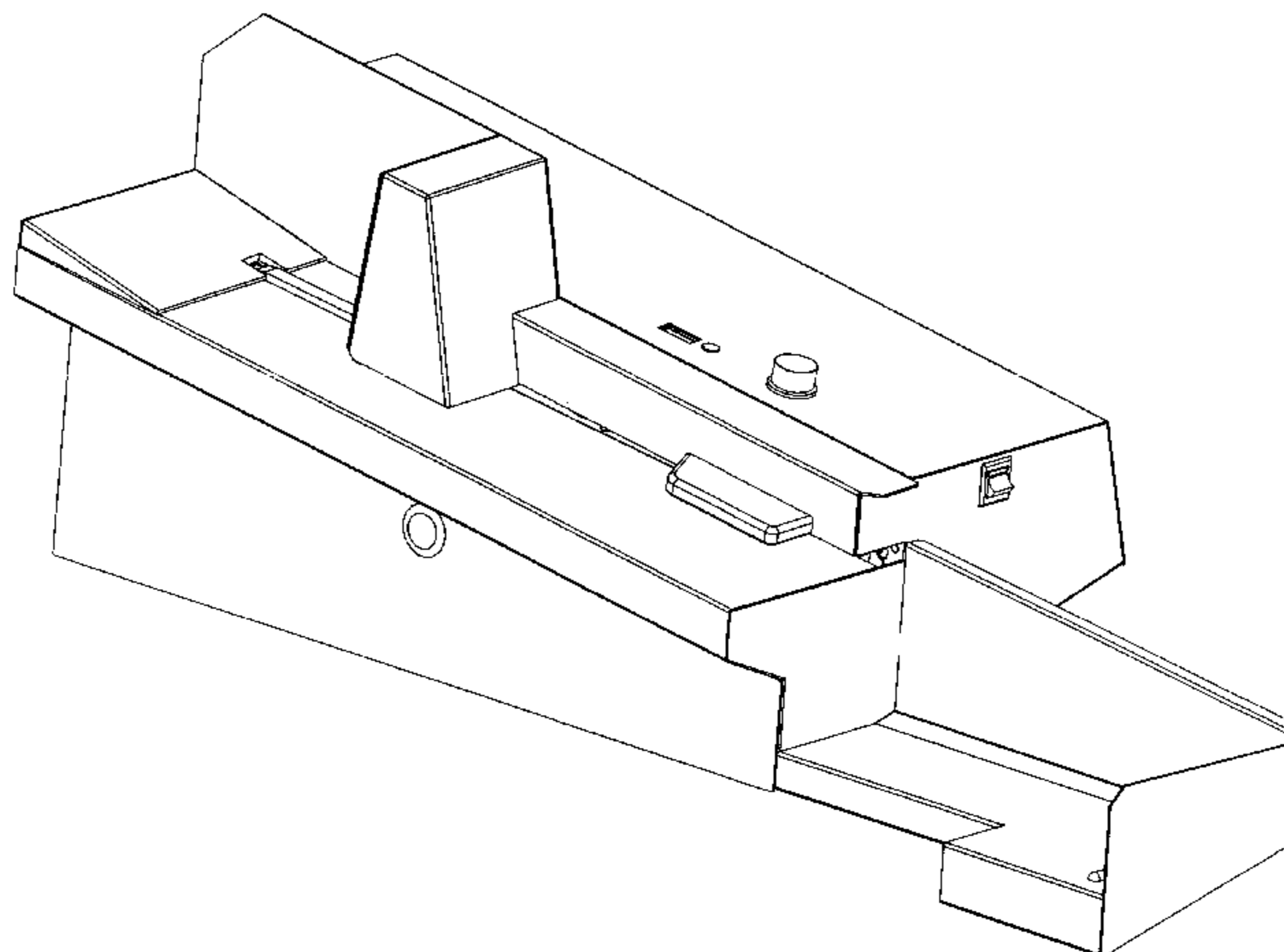


FIG. 20 is a perspective view of the envelope opener illustrated in FIG. 1 without the discharge bin, safety cover and feeder ramp, in which the bottom plan and back elevational views are substantially the same as the bottom plan and back elevational views of the envelope opener illustrated in FIG. 9.

**1 Claim, 20 Drawing Sheets**

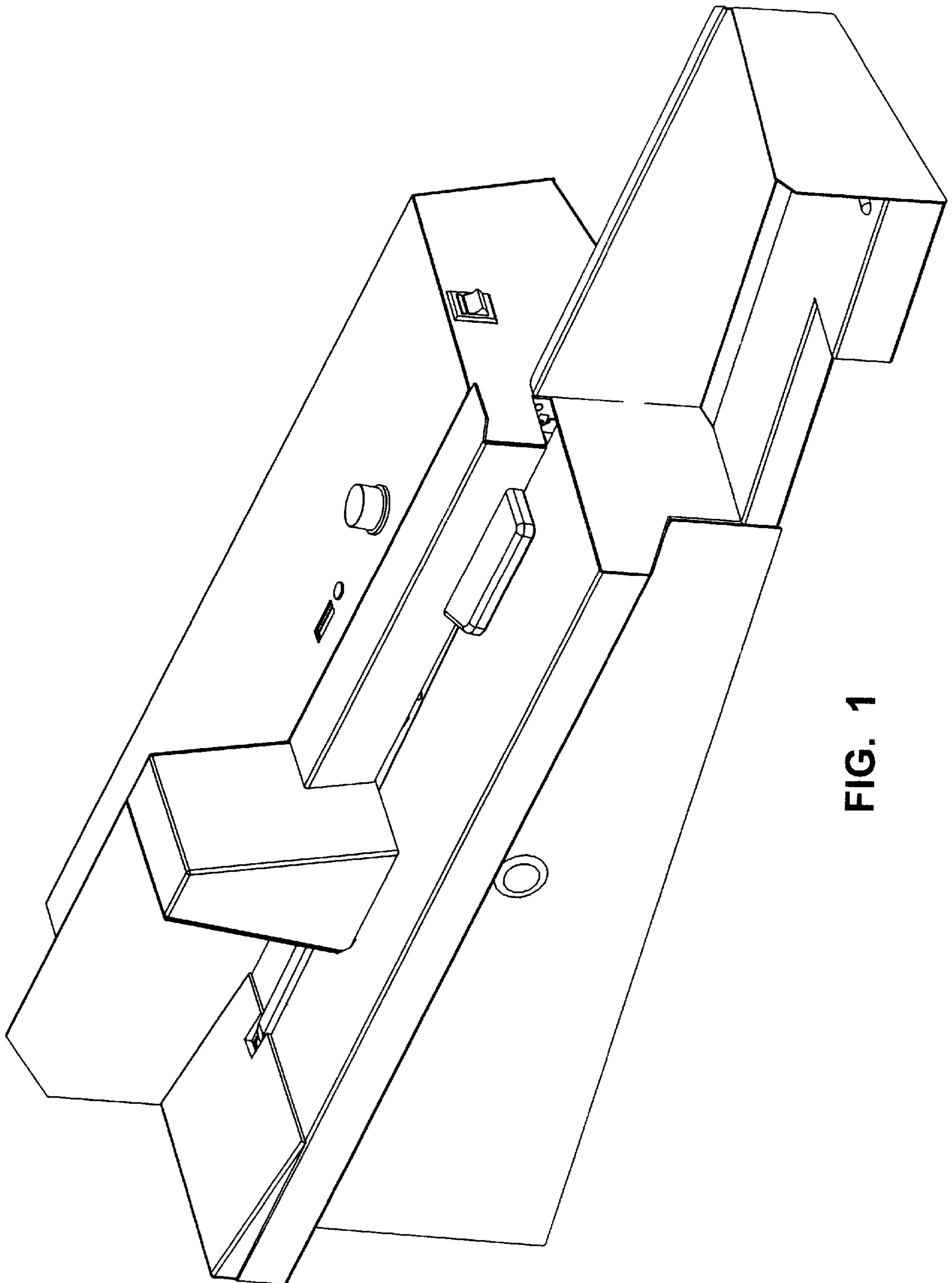


FIG. 1

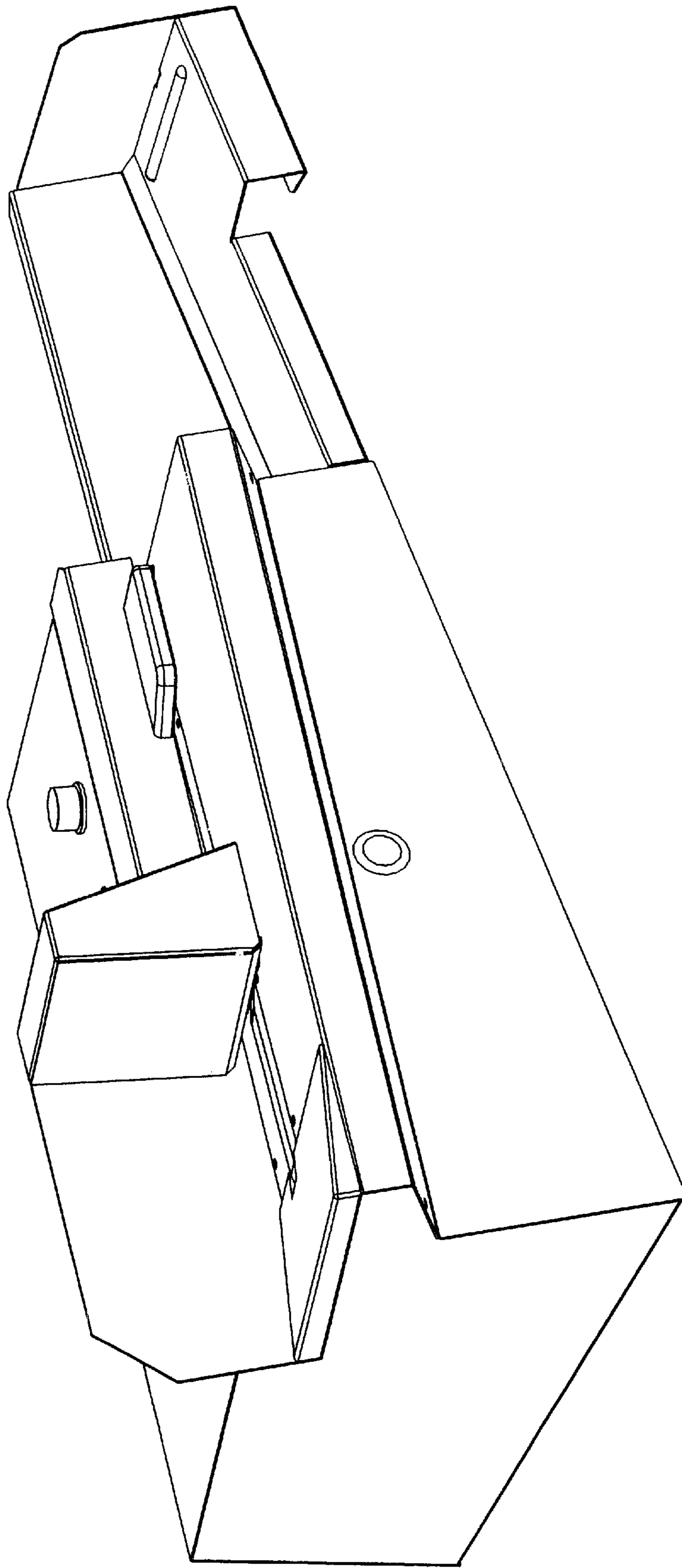


FIG. 2

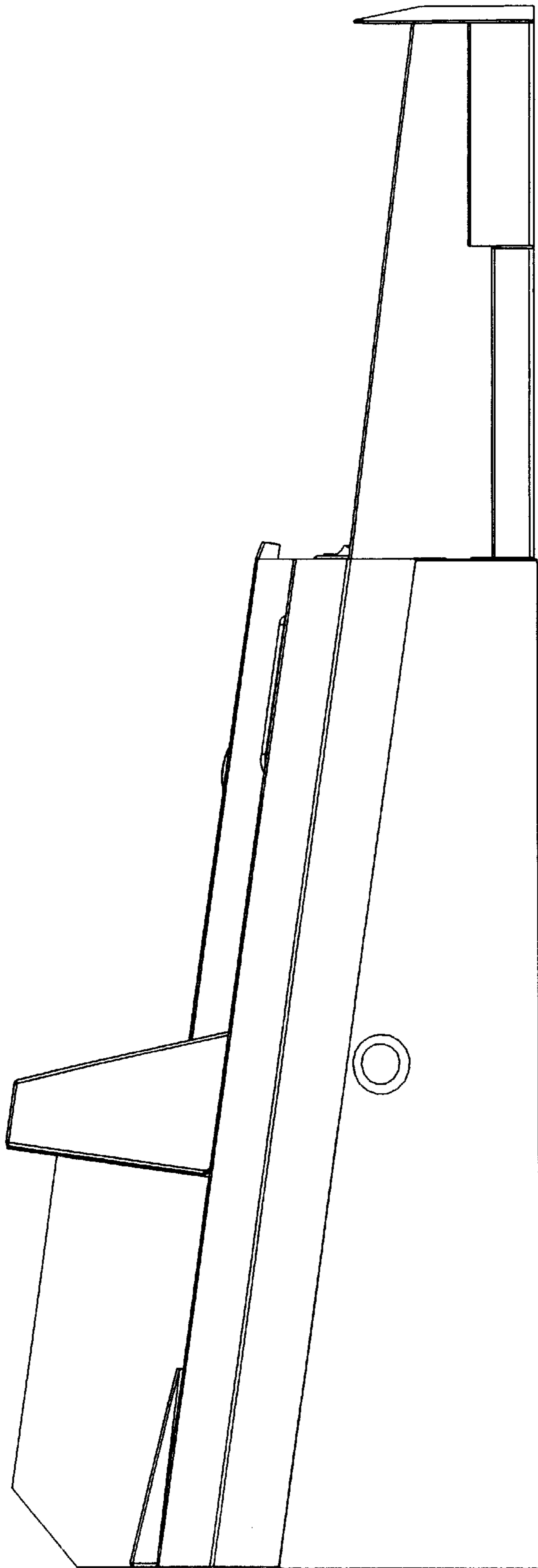


FIG. 3

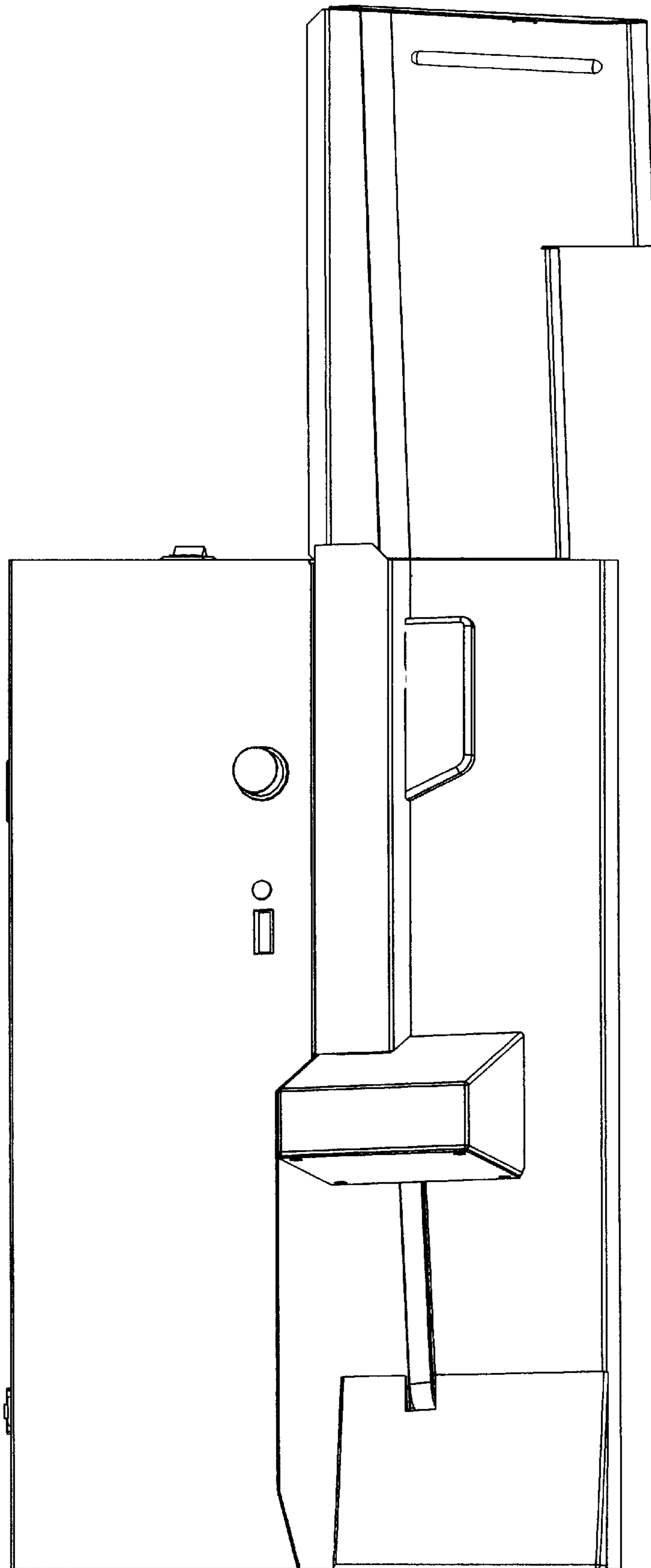


FIG. 4



FIG. 5

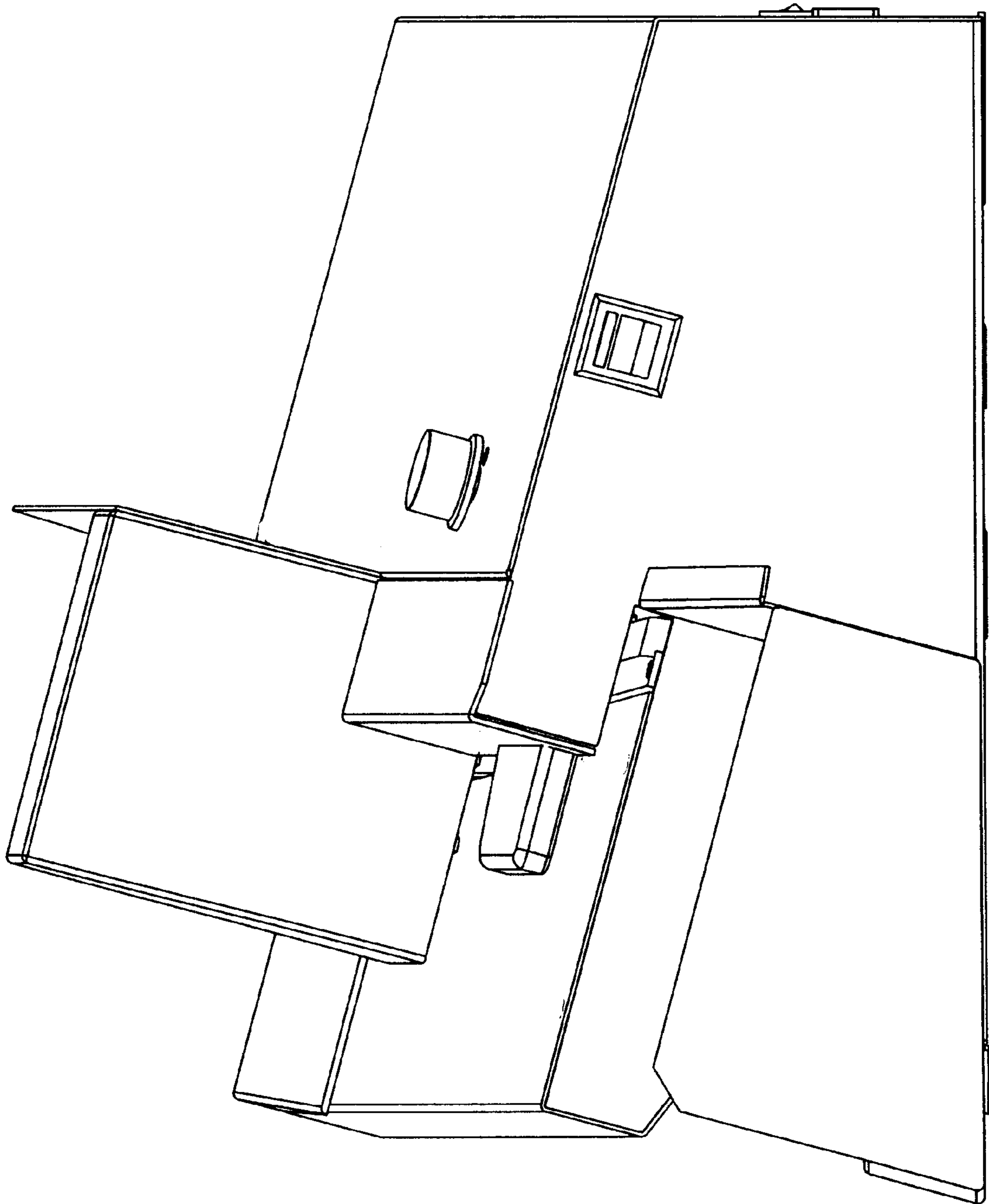
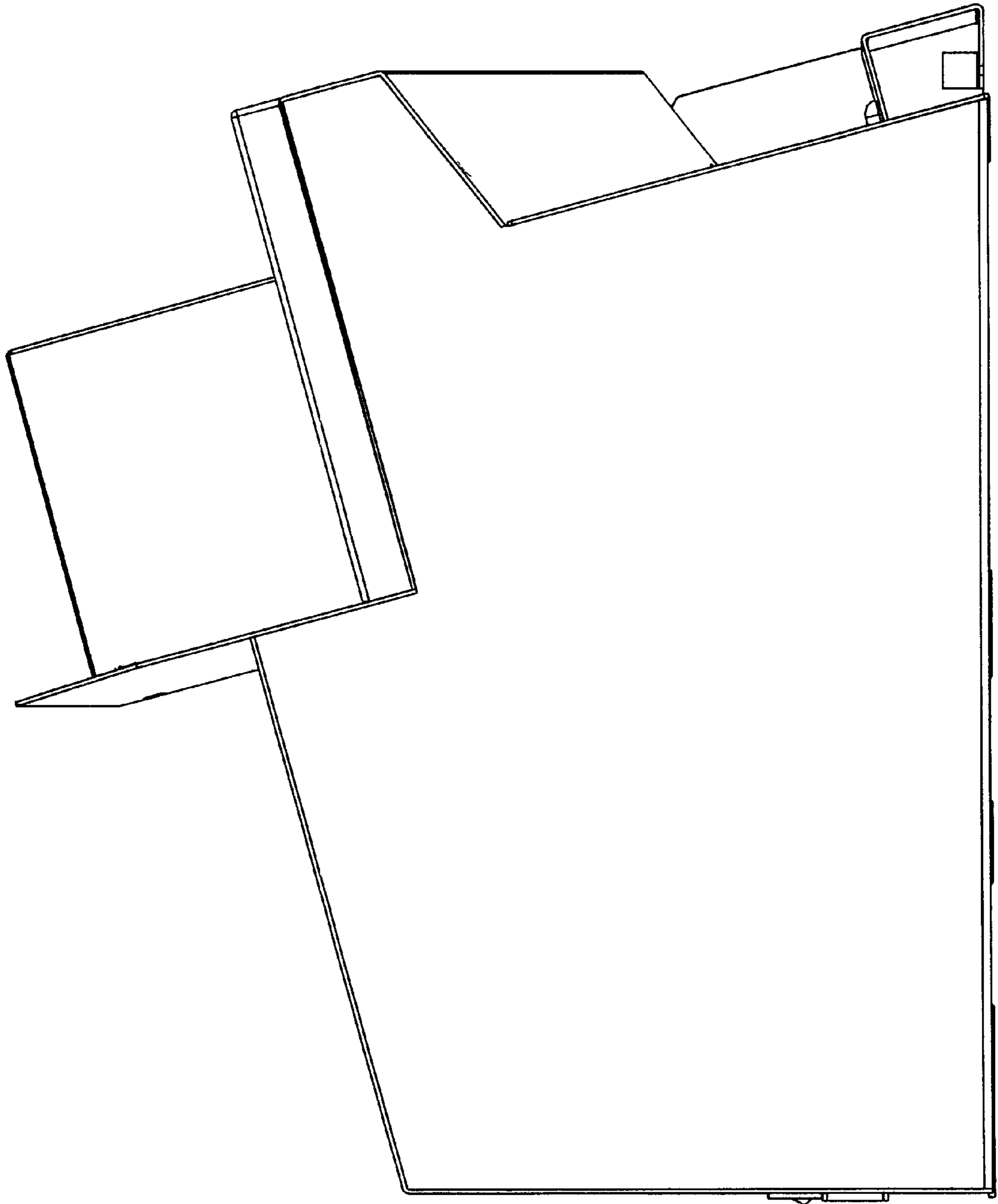


FIG. 6





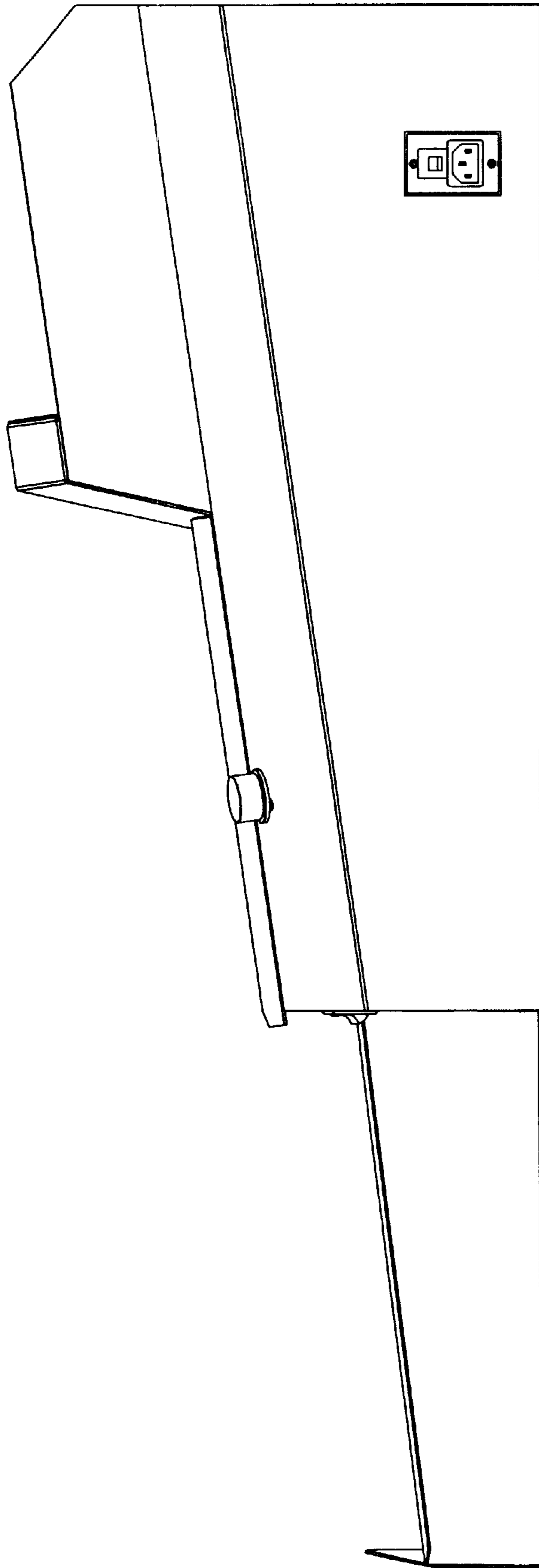


FIG. 7

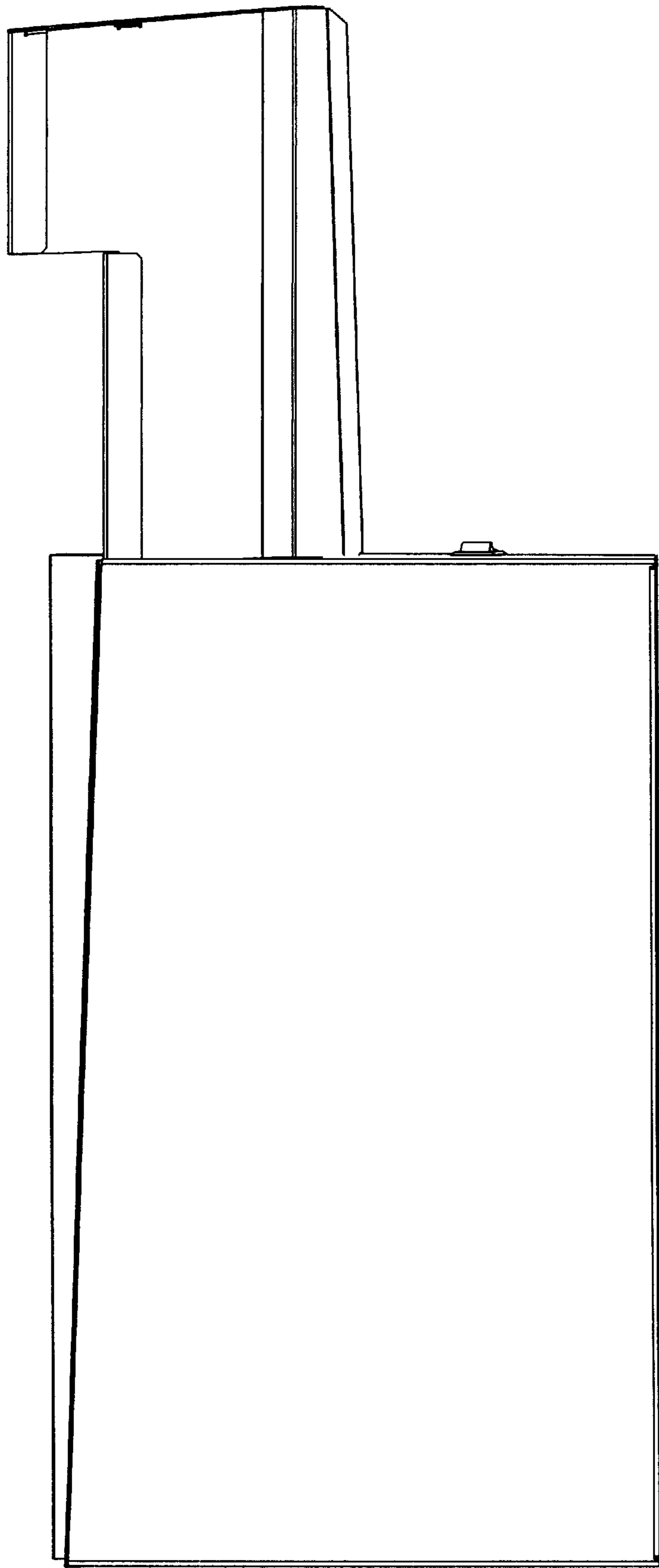


FIG. 8

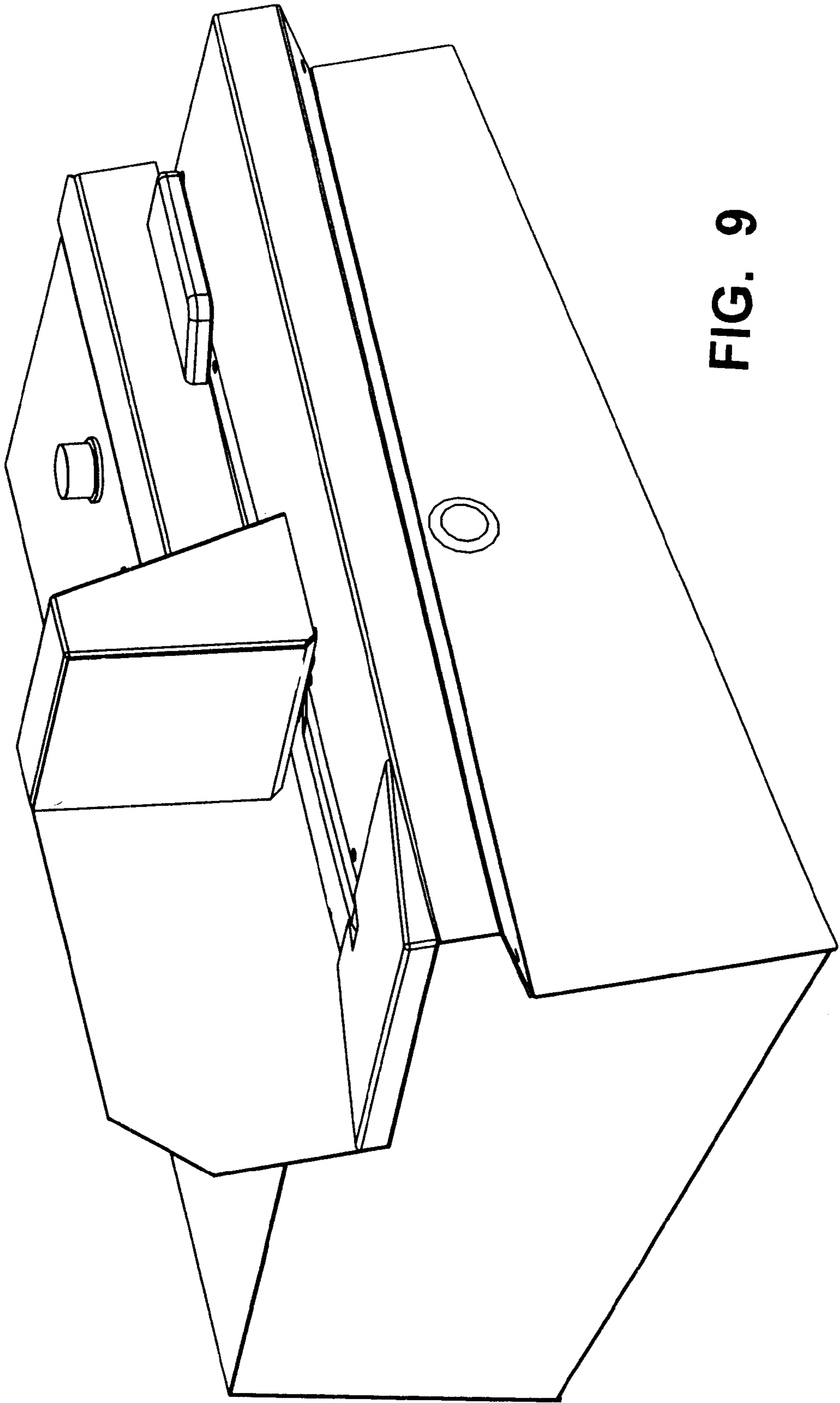


FIG. 9

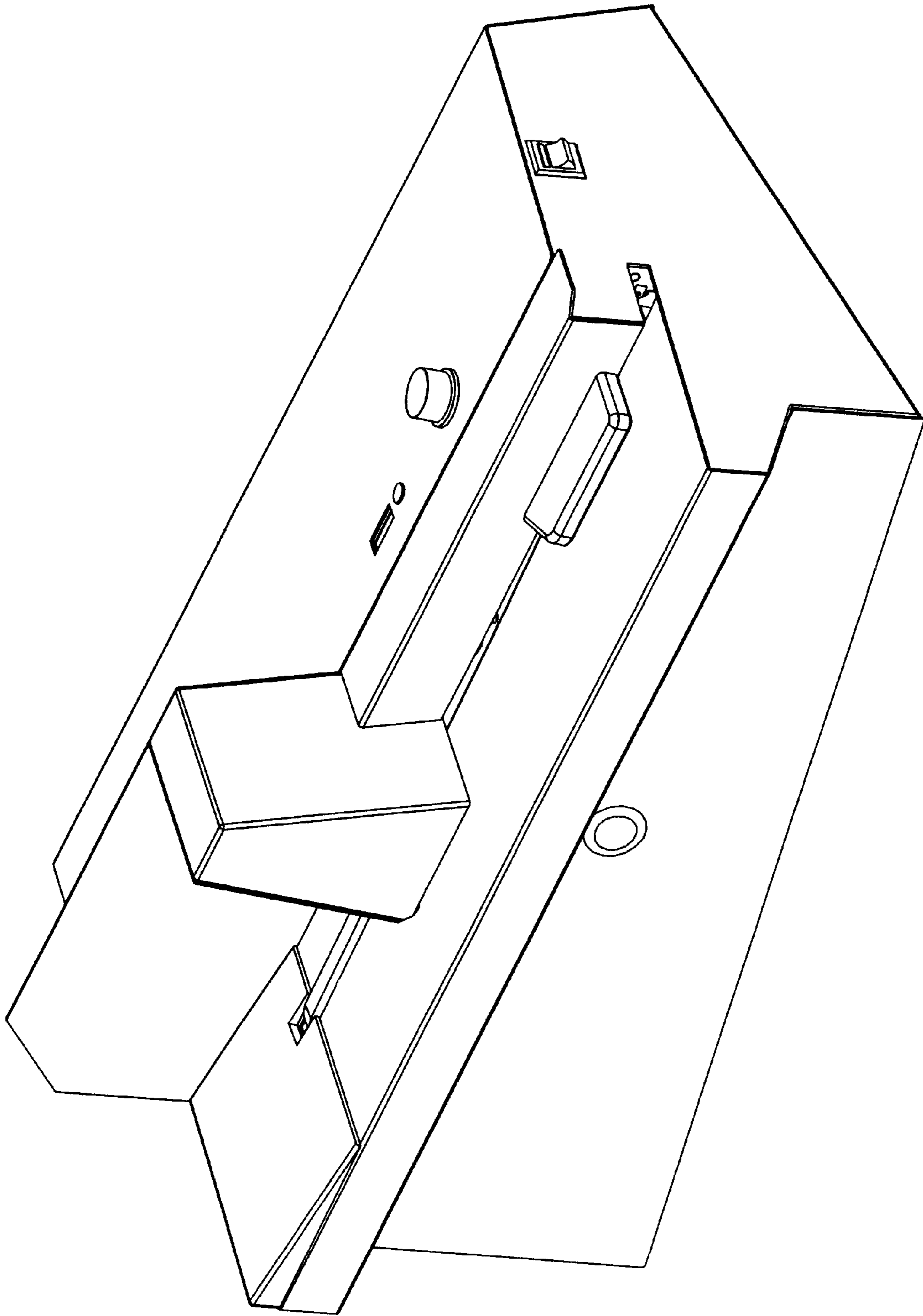


FIG. 10

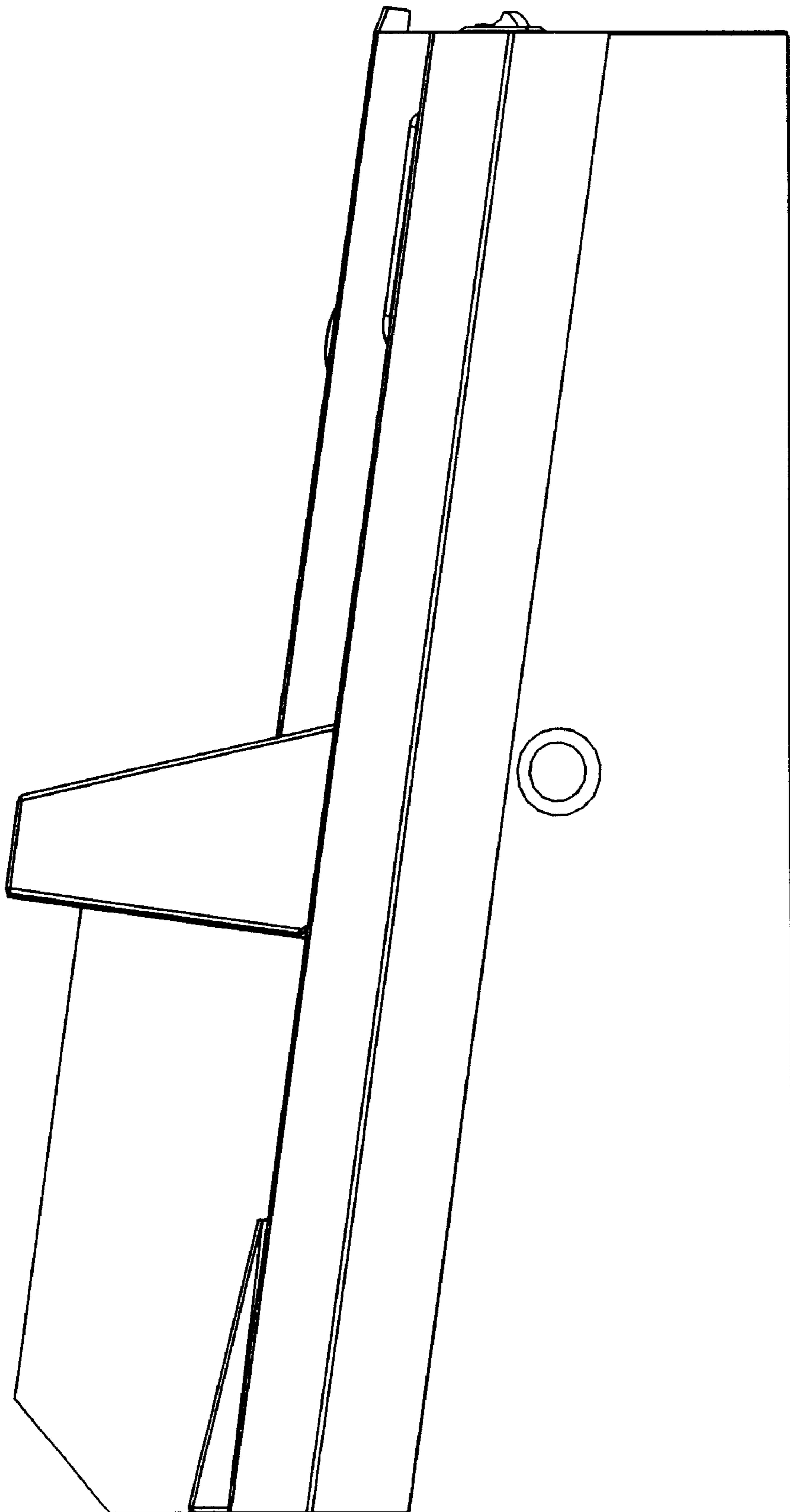


FIG. 11

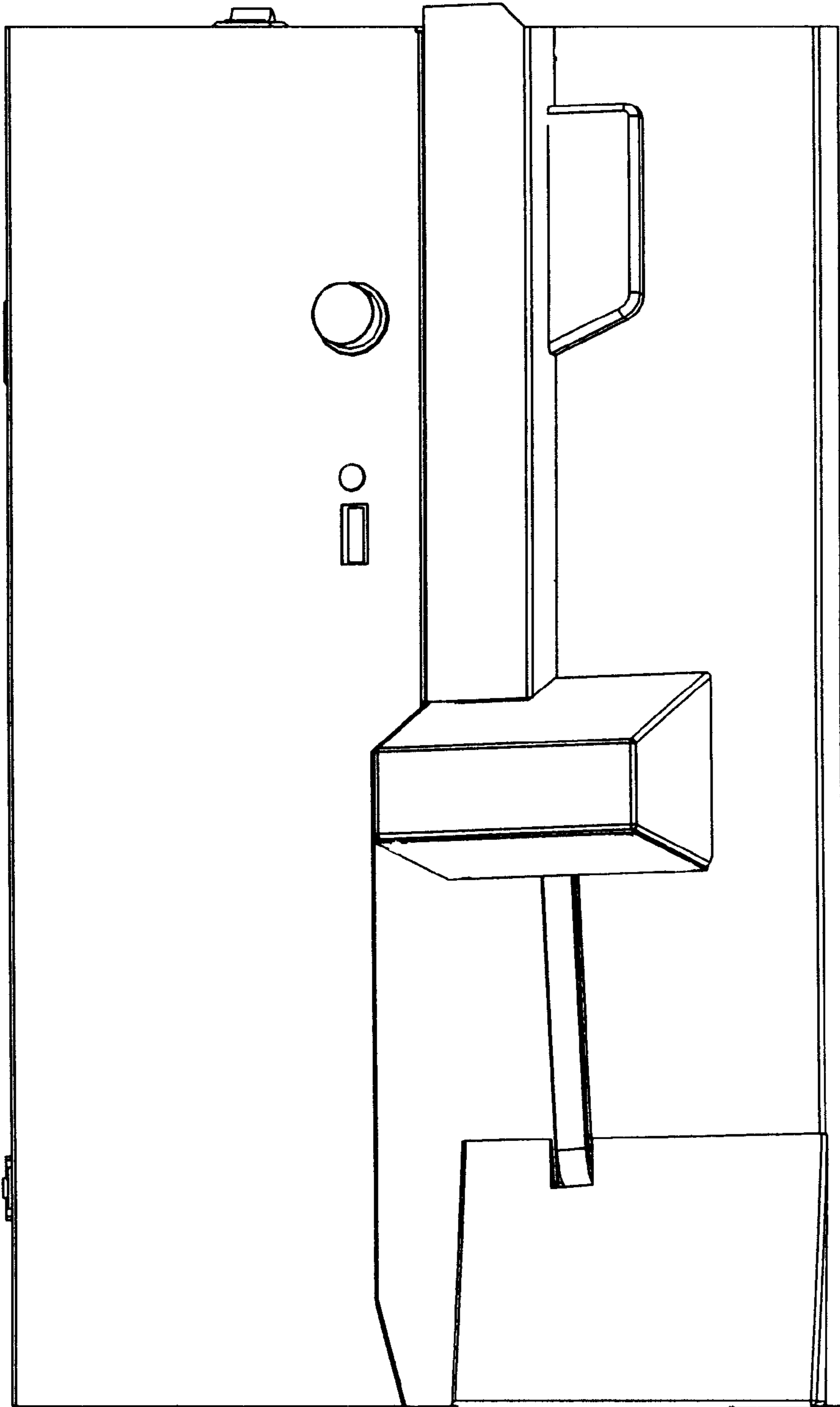
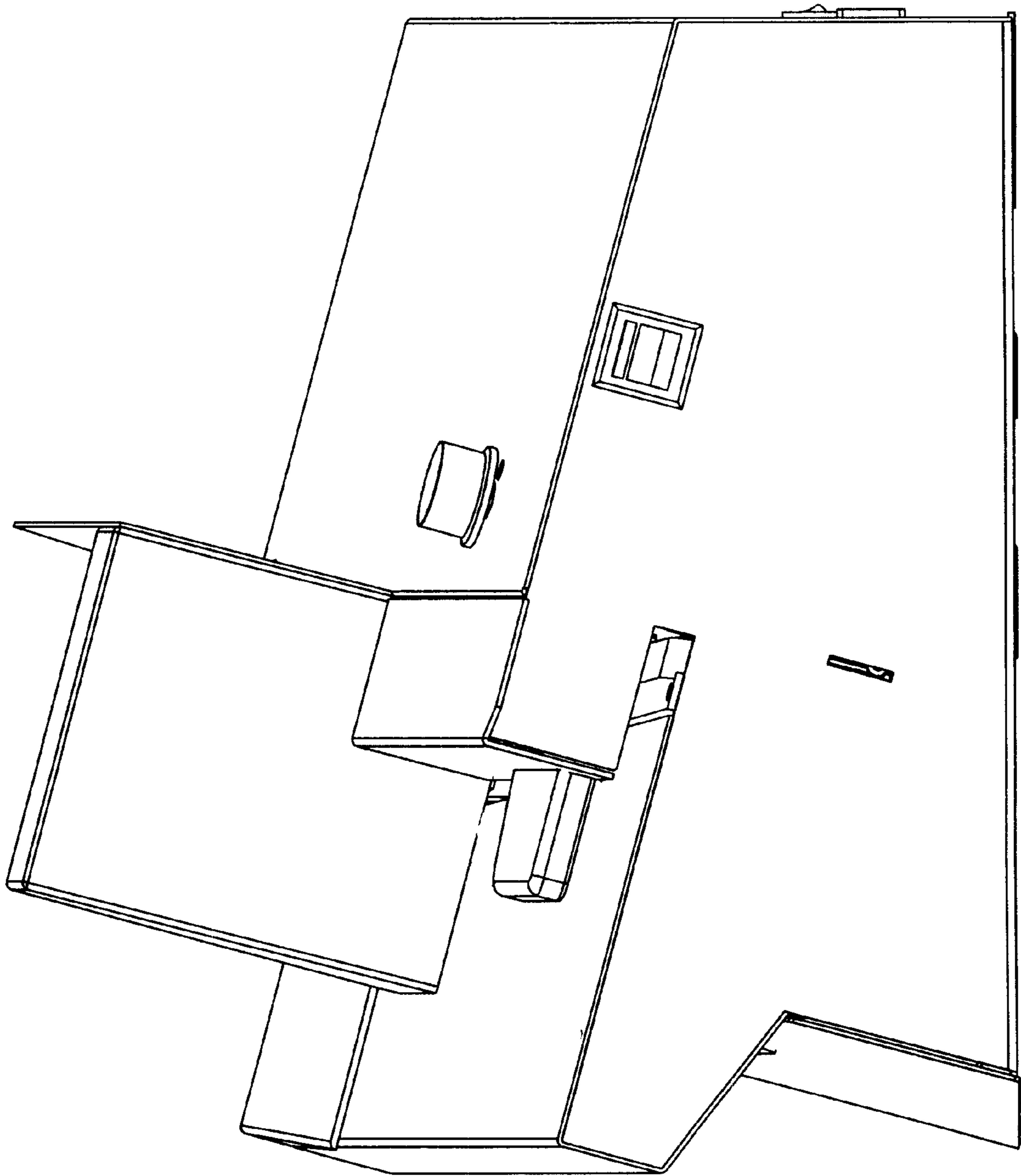


FIG. 12

FIG. 13





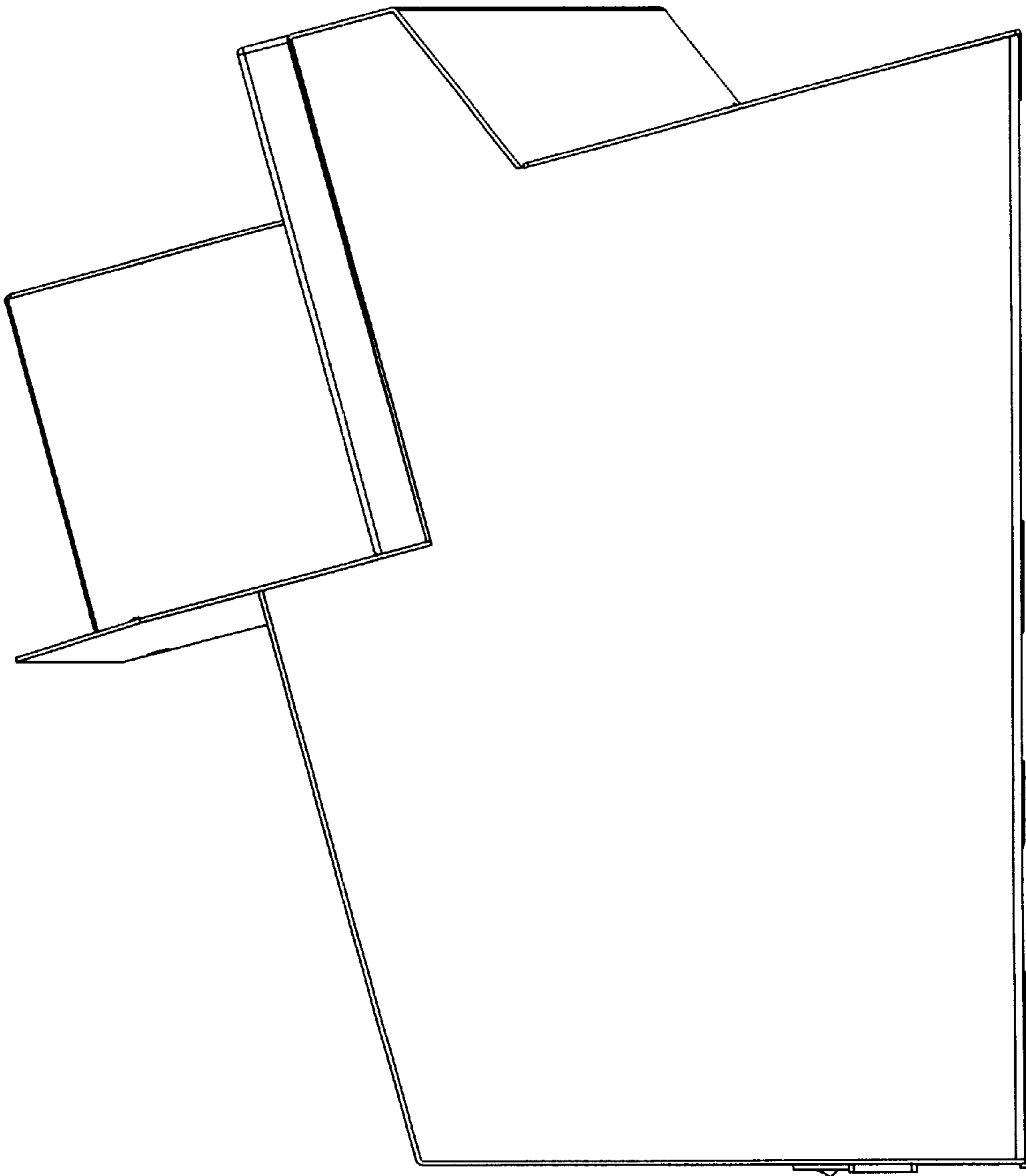


FIG. 14

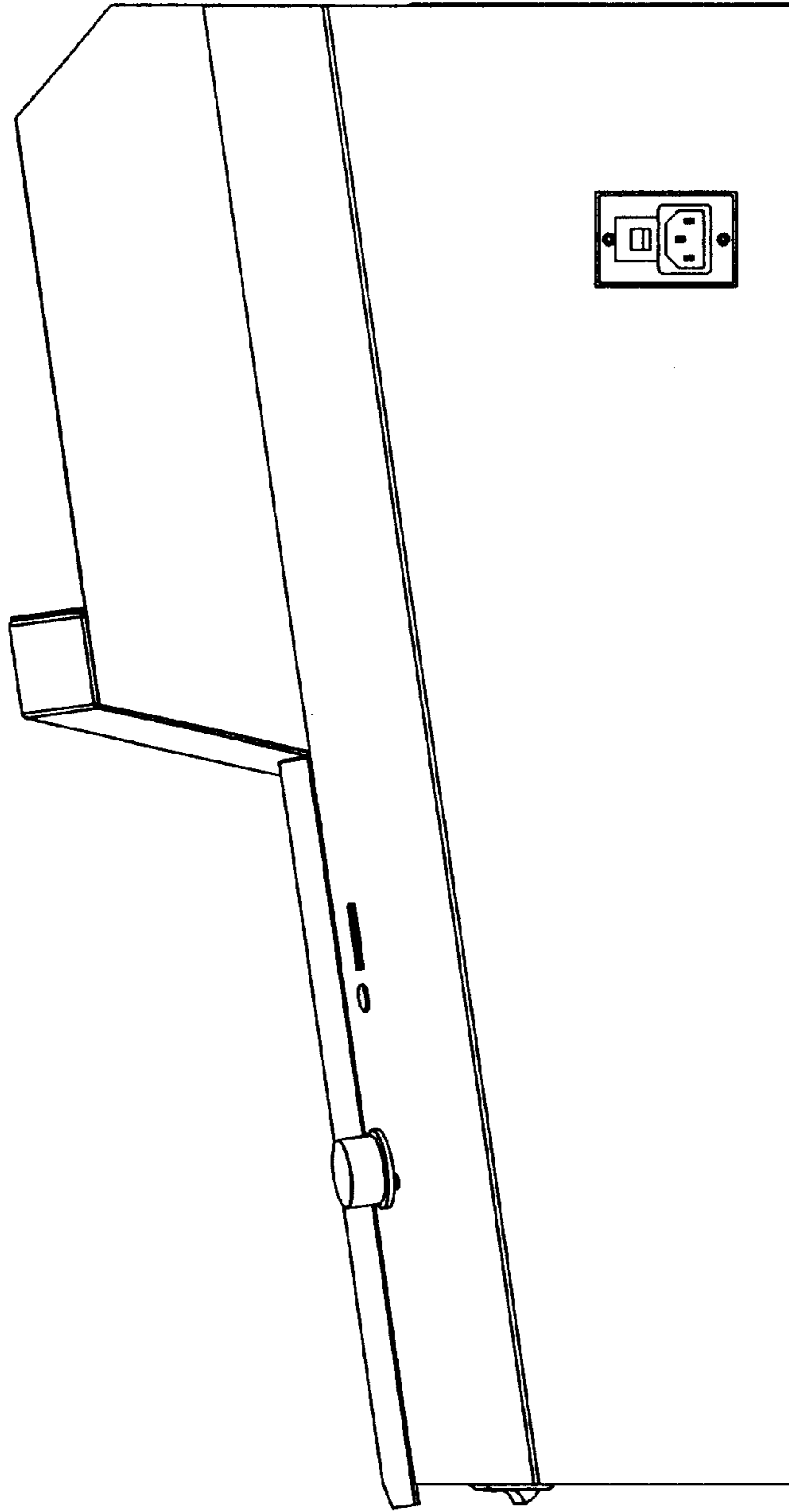
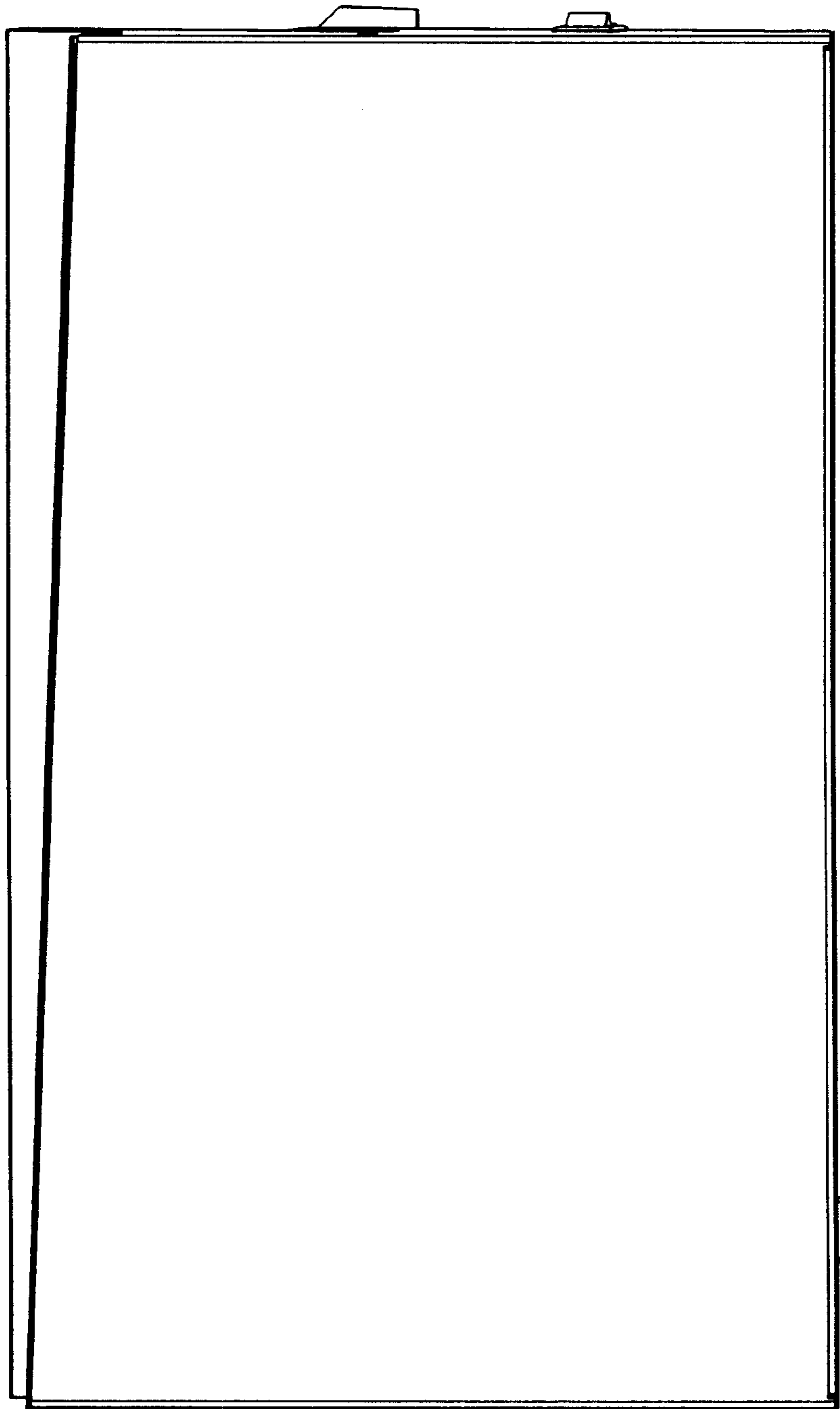


FIG. 15

FIG. 16



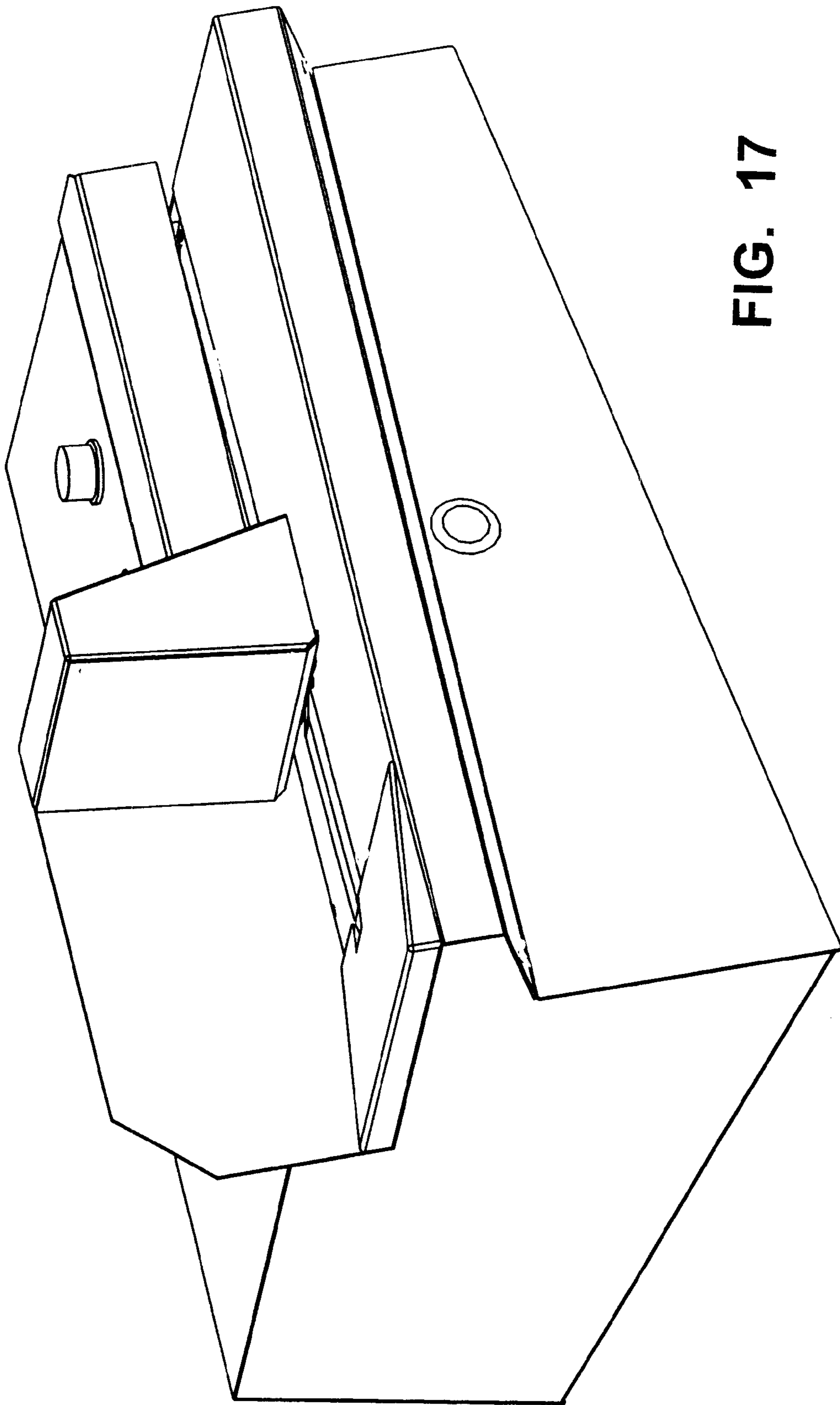


FIG. 17

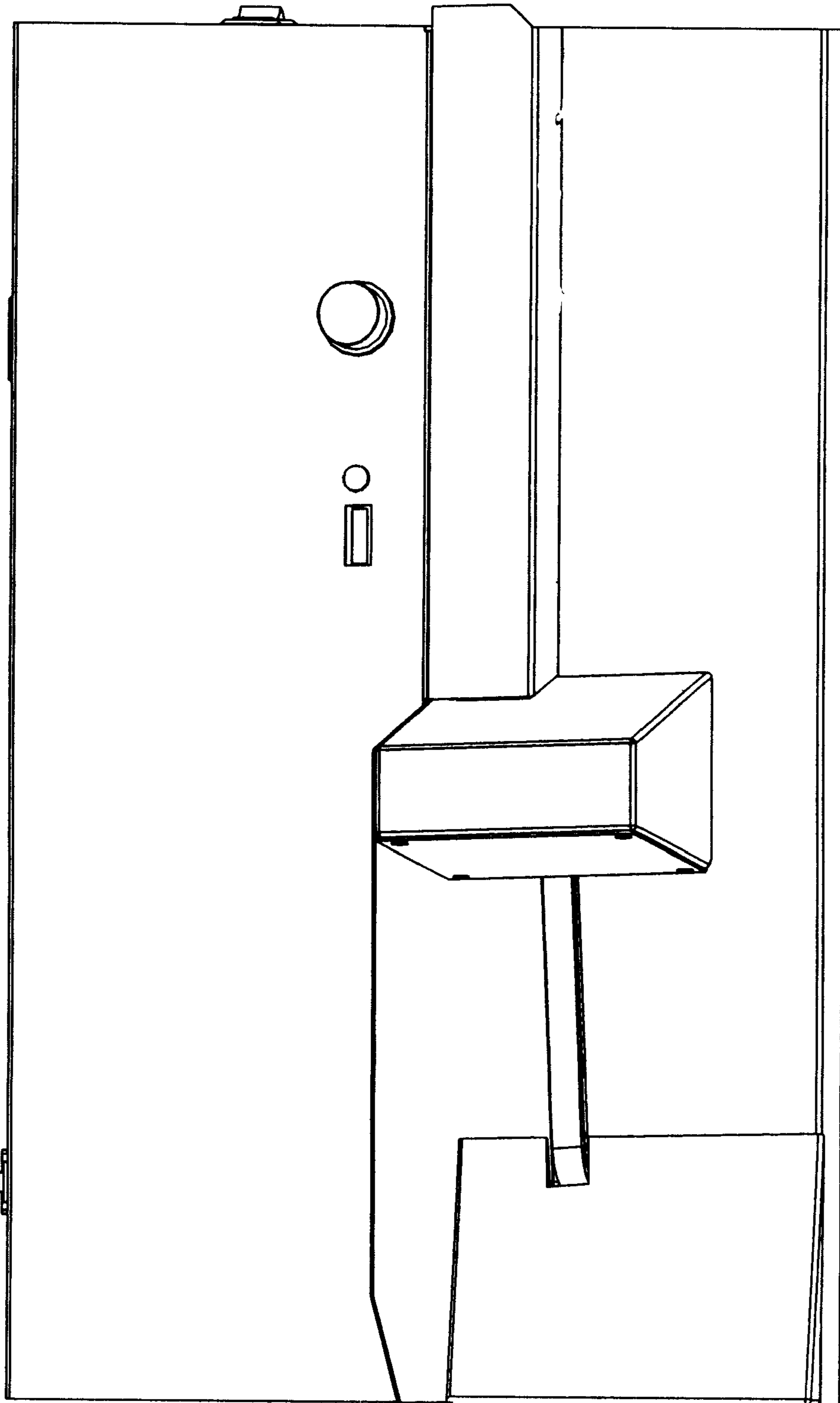
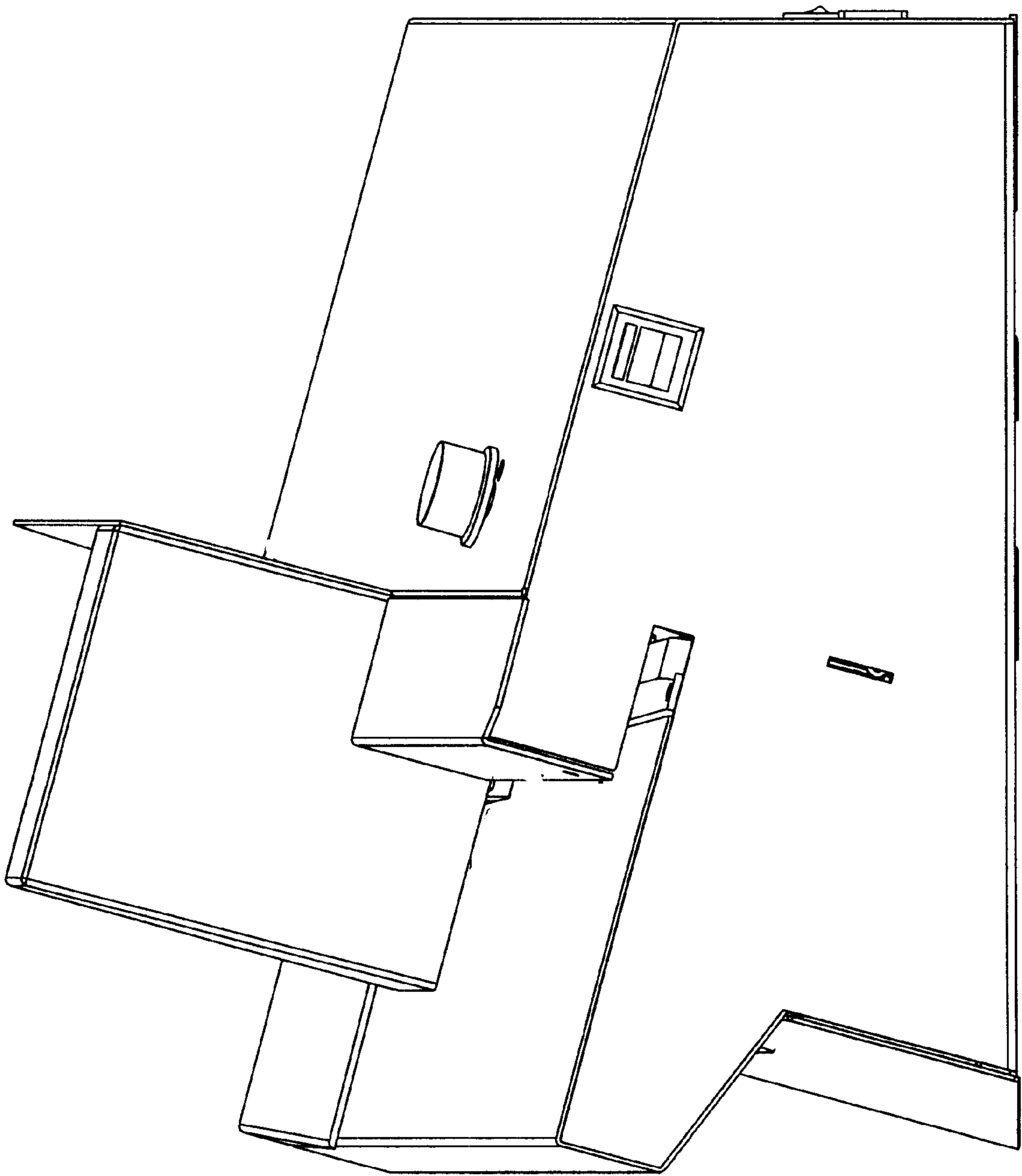


FIG. 18

FIG. 19



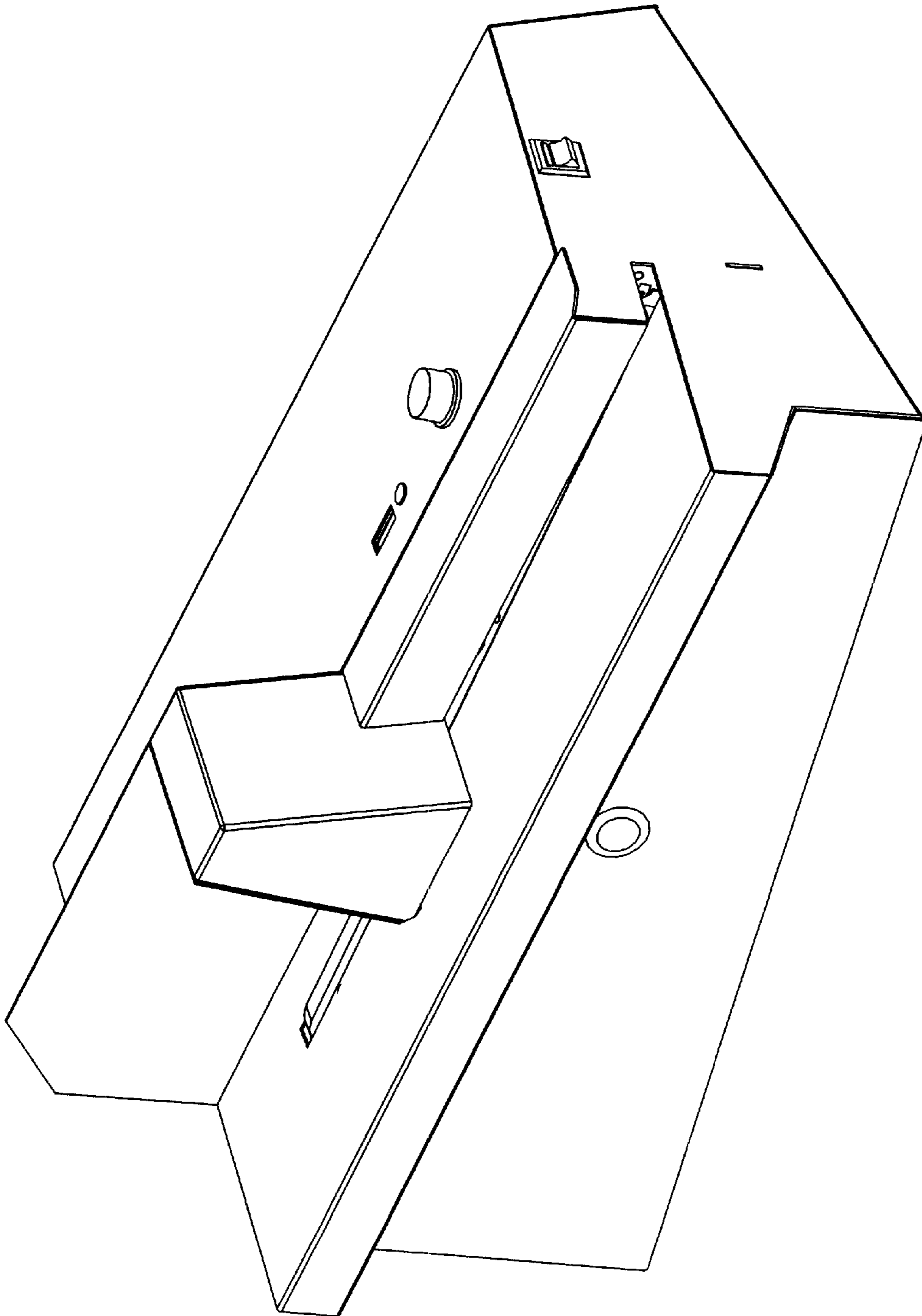


FIG. 20