



US00D478120S

(12) **United States Design Patent**
Hwang et al.

(10) **Patent No.:** **US D478,120 S**

(45) **Date of Patent:** **** Aug. 5, 2003**

(54) **INKJET CARTRIDGE HUMIDOR**

(75) Inventors: **Peter G. Hwang**, Vancouver, WA (US);
Kevin Lo, Vancouver, WA (US)

(73) Assignee: **Hewlett-Packard Development Company, L.P.**, Houston, TX (US)

(**) Term: **14 Years**

| | | | | | |
|--------------|---|---------|------------------|-------|---------|
| D434,180 S | * | 11/2000 | Perkins | | D27/187 |
| 6,155,678 A | * | 12/2000 | Komplin et al. | | 347/86 |
| 6,247,805 B1 | * | 6/2001 | Iwaya | | 347/86 |
| 6,279,760 B1 | * | 8/2001 | Broeski | | 206/446 |
| D450,083 S | * | 11/2001 | Bishop et al. | | D18/56 |
| D453,184 S | * | 1/2002 | Ito et al. | | D18/56 |
| D456,836 S | * | 5/2002 | Ito et al. | | D18/56 |
| 6,435,663 B2 | * | 8/2002 | Yamaguchi et al. | | 347/87 |
| D462,384 S | * | 9/2002 | Sasaki et al. | | D18/56 |

OTHER PUBLICATIONS

Auto Refil Ink Injection & Decompression Devise; 1997;
from www.aaddn.com/auto.htm.
Korea Resources Enrg. Co., Ltd (KRE); Refill Kit for Ink
Cartridges; Dec. 2000.*

* cited by examiner

Primary Examiner—Cathy Anne MacCormac

(21) Appl. No.: **29/159,886**

(22) Filed: **Apr. 30, 2002**

(51) **LOC (7) Cl.** **18-02**

(52) **U.S. Cl.** **D18/56; D3/201; D19/65**

(58) **Field of Search** D18/56; 347/86,
347/87; D27/186, 189, 190; D9/415, 414,
418, 423; 131/241, 242, 257; 206/756,
763, 765, 38, 371, 446, 486; D3/201, 206,
273

(56) **References Cited**

U.S. PATENT DOCUMENTS

| | | | | | |
|-------------|---|---------|------------|-------|---------|
| 2,477,274 A | * | 7/1949 | Trecek | | 206/756 |
| 3,517,801 A | * | 6/1970 | Cote | | 206/756 |
| 4,662,512 A | * | 5/1987 | Durand | | 206/446 |
| D295,958 S | * | 5/1988 | Pugh | | D9/418 |
| 4,848,573 A | * | 7/1989 | Salacuse | | 206/486 |
| 5,048,677 A | * | 9/1991 | Pedracine | | 206/446 |
| 5,322,668 A | * | 6/1994 | Tomasso | | 206/446 |
| 5,826,727 A | * | 10/1998 | Fraser | | 206/763 |
| 5,860,526 A | * | 1/1999 | Burke, Jr. | | 206/446 |
| D410,108 S | * | 5/1999 | Reed | | D27/189 |
| D420,169 S | * | 2/2000 | Cigler | | D27/186 |

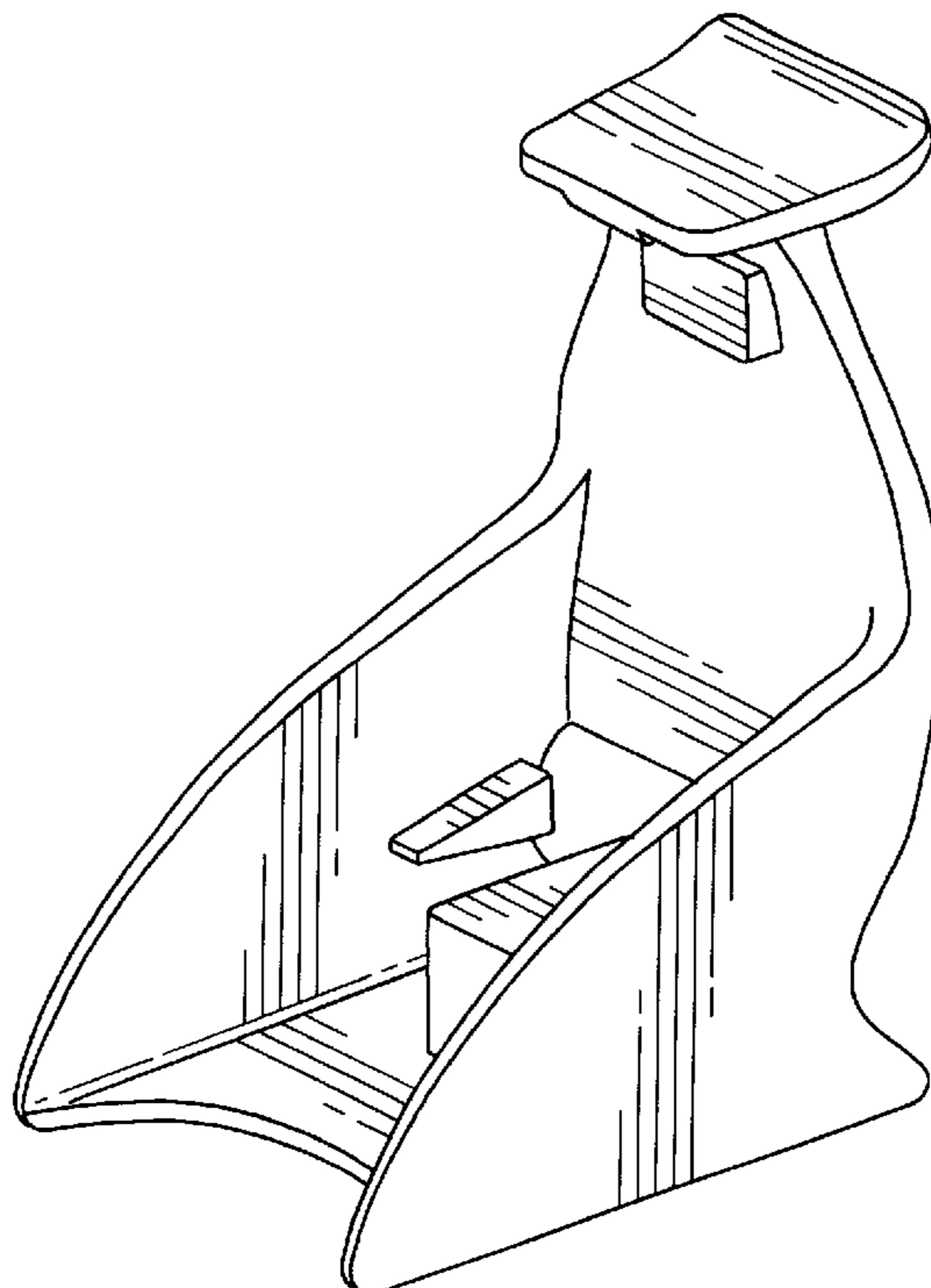
(57) **CLAIM**

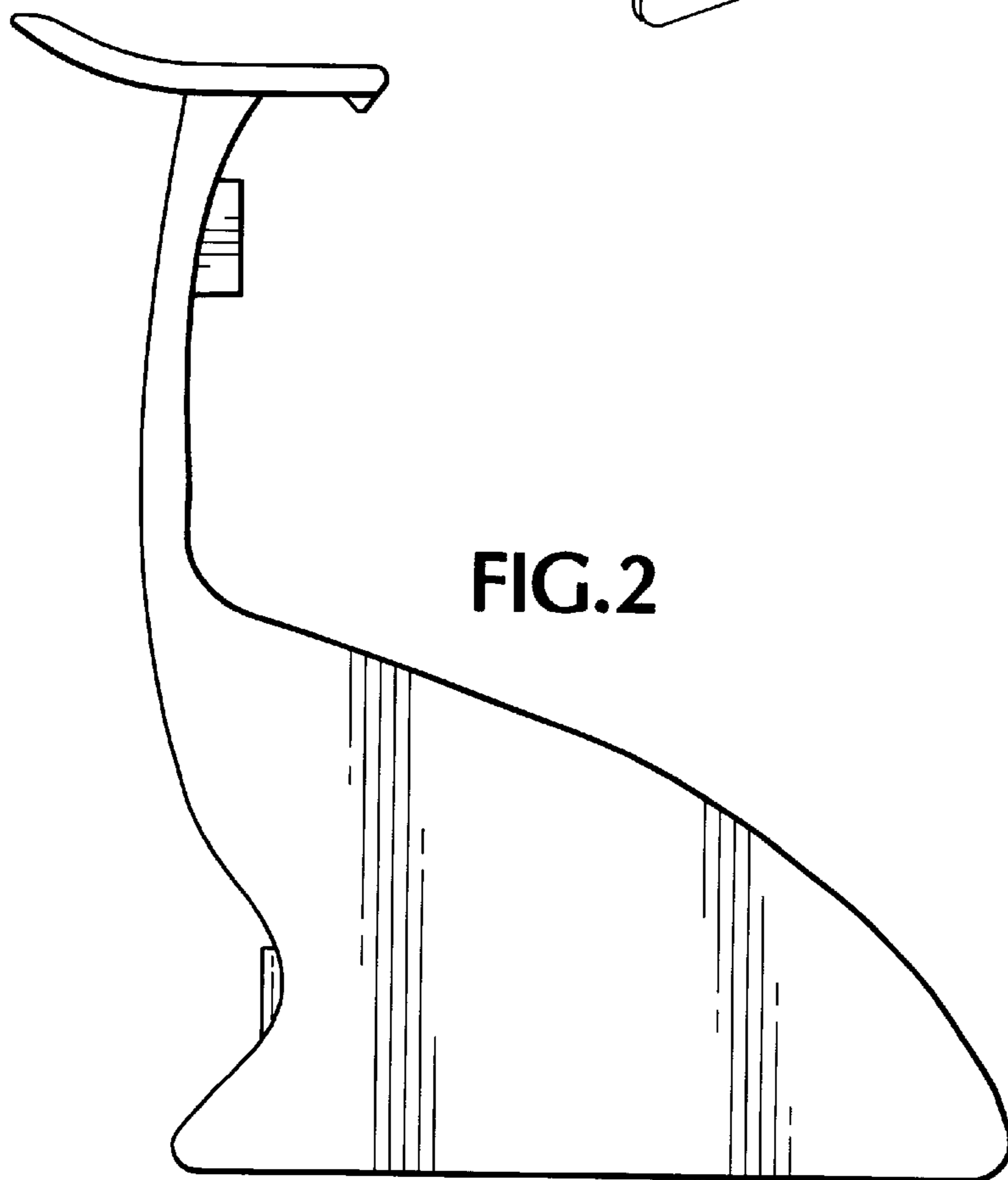
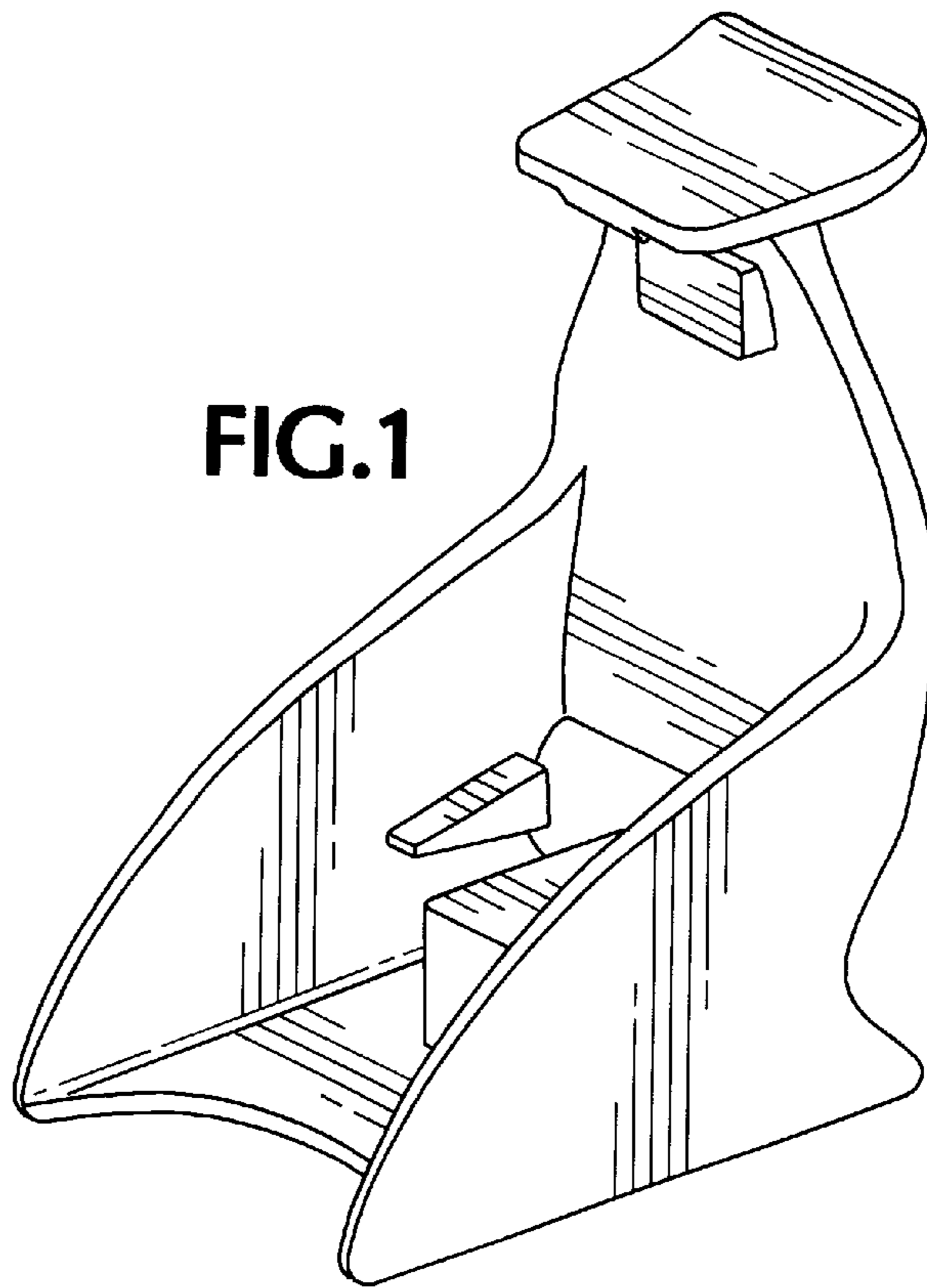
An ornamental design for an inkjet cartridge humidor,
substantially as shown and described.

DESCRIPTION

FIG. 1 is a perspective view of an inkjet cartridge humidor,
in accordance with the present invention;
FIG. 2 is a left view thereof, the right side being a mirror
image;
FIG. 3 is a front view thereof;
FIG. 4 is a rear view thereof;
FIG. 5 is a top view thereof; and,
FIG. 6 is a bottom view thereof.

1 Claim, 2 Drawing Sheets





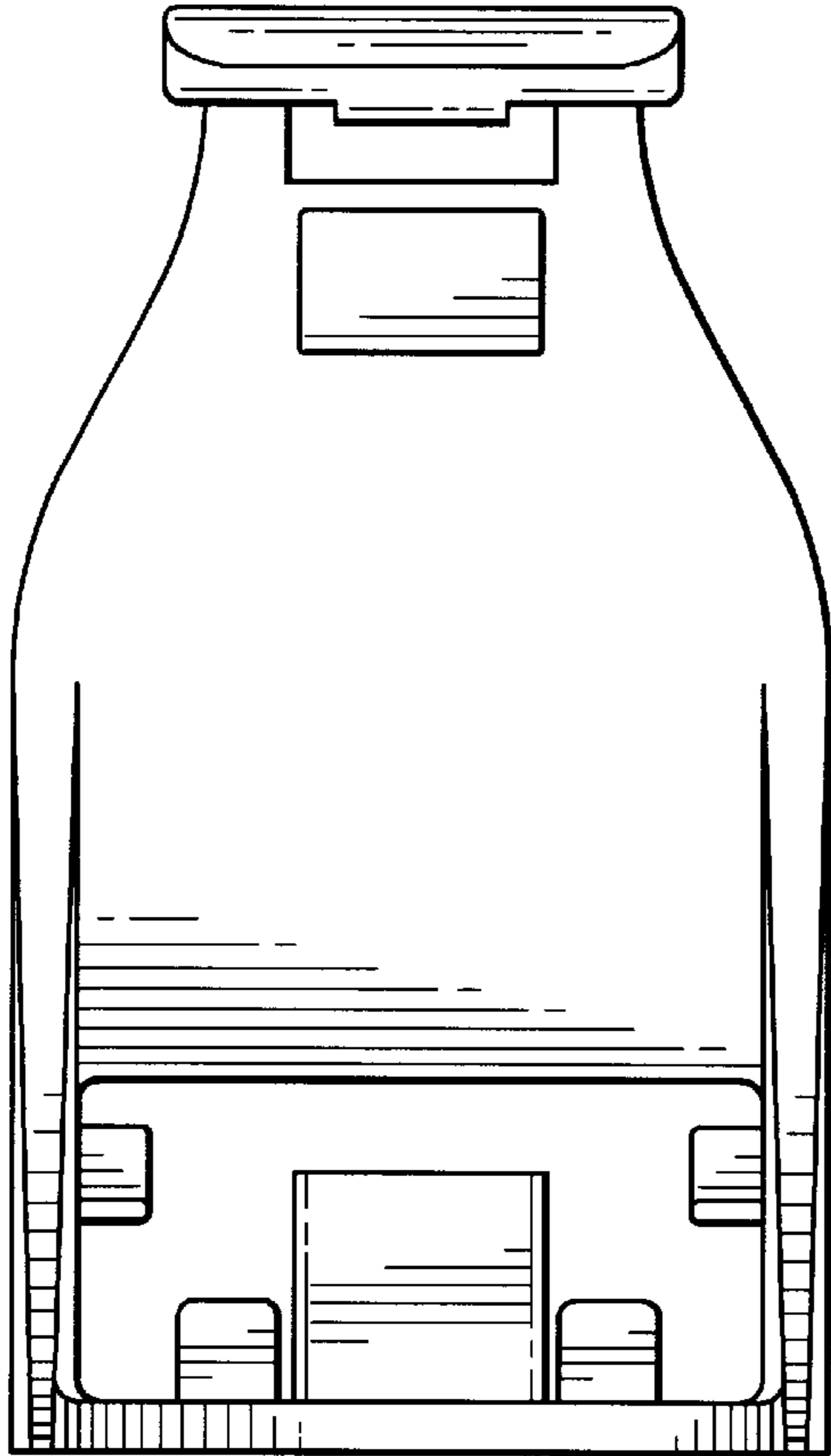


FIG. 3

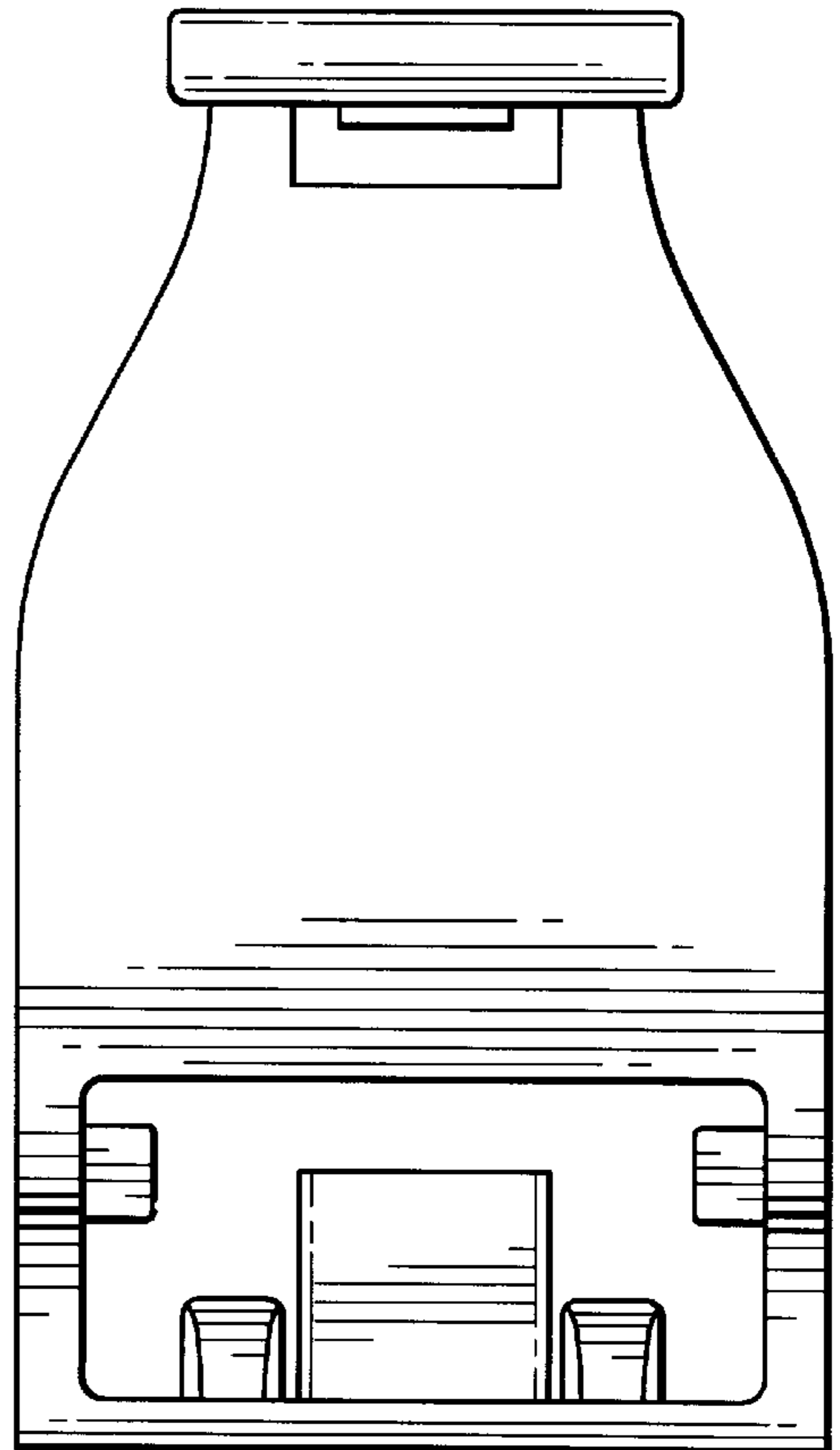


FIG. 4

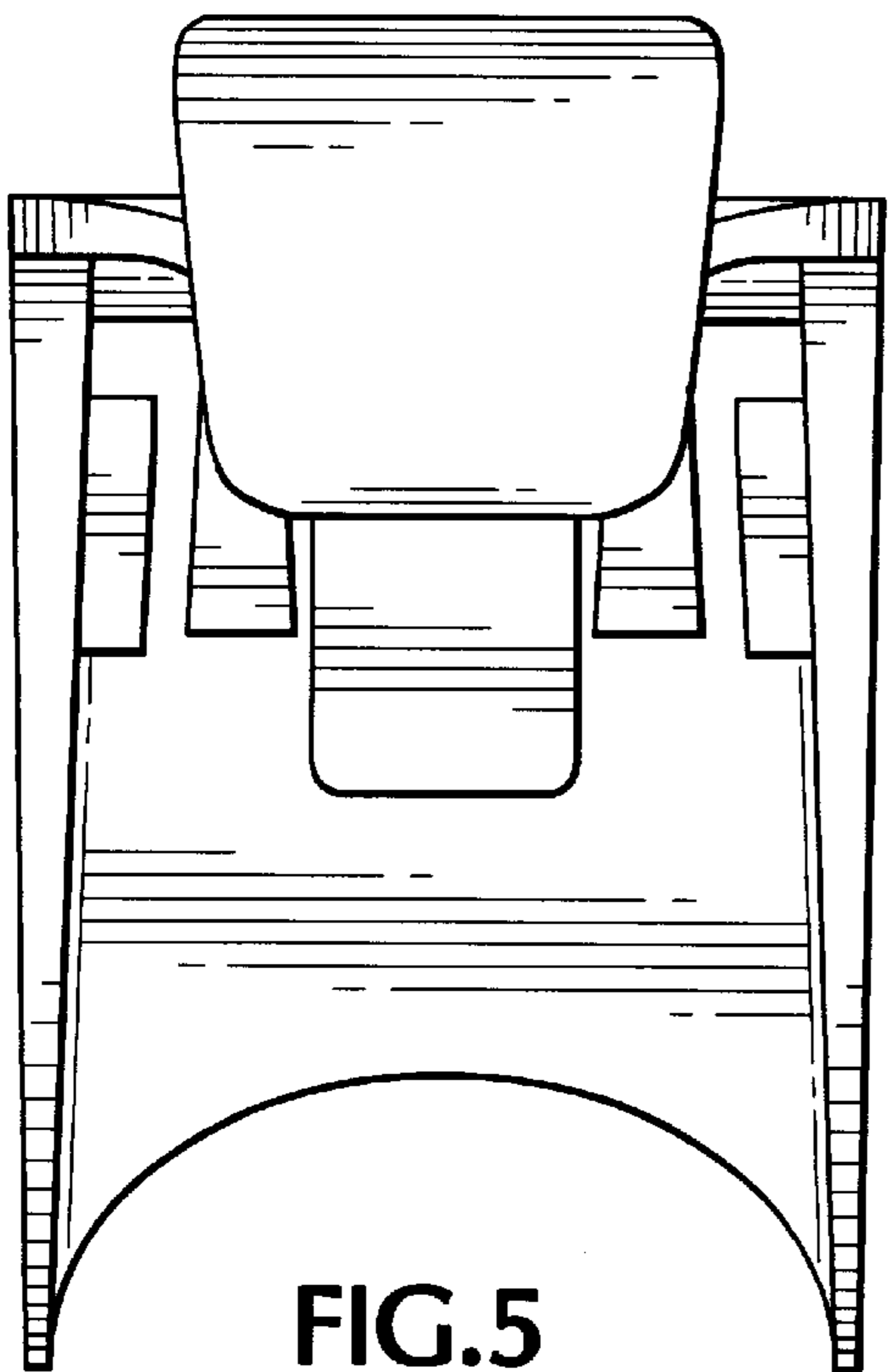


FIG. 5

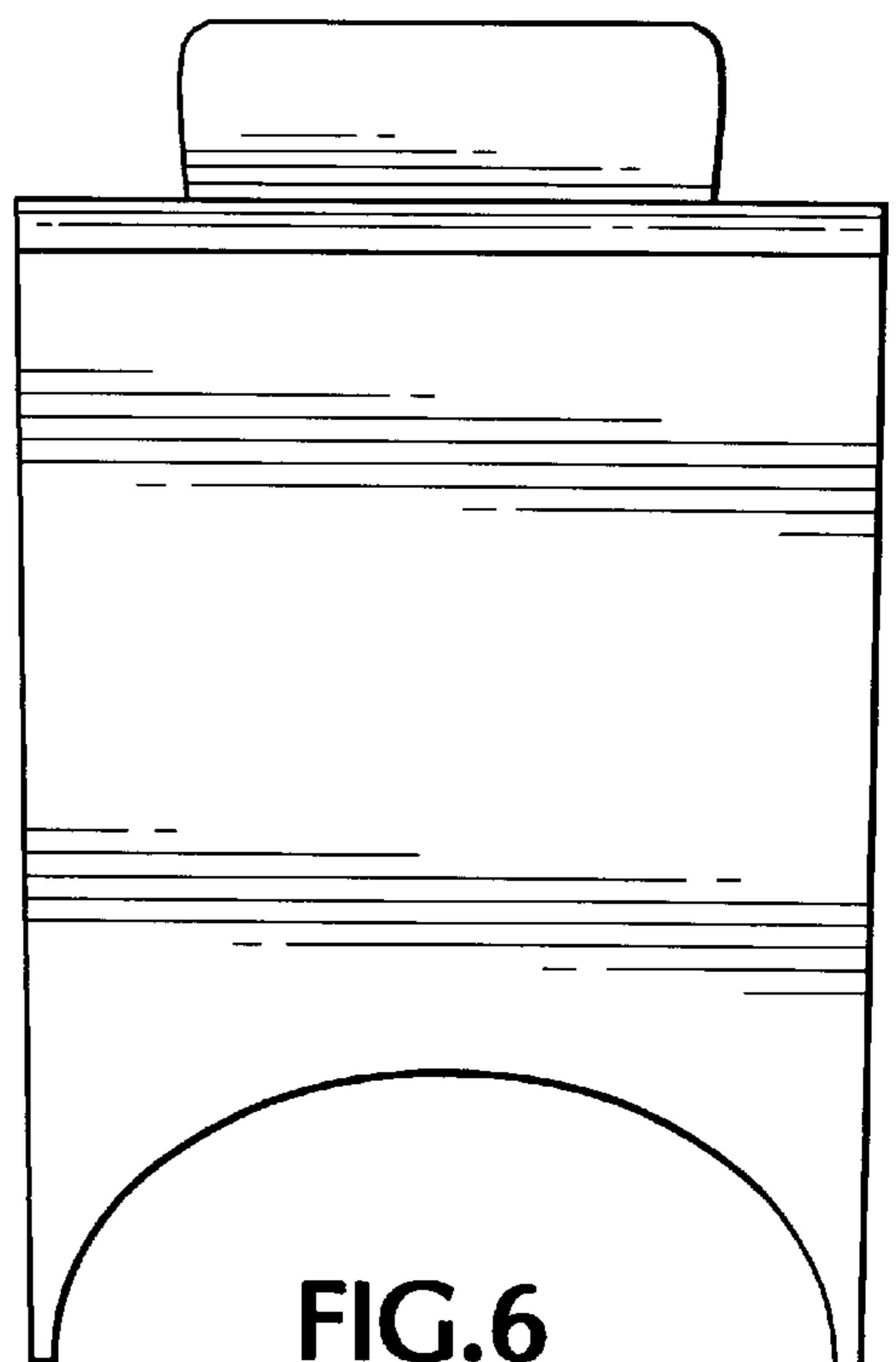


FIG. 6