



US00D478119S

(12) **United States Design Patent**
Hwang et al.

(10) **Patent No.:** **US D478,119 S**

(45) **Date of Patent:** **** Aug. 5, 2003**

(54) **PRINTER**

(75) Inventors: **Peter G. Hwang**, Vancouver, WA (US);
Le Pham, Vancouver, WA (US)

(73) Assignee: **Hewlett-Packard Development Company, L.P.**, Houston, TX (US)

(**) Term: **14 Years**

(21) Appl. No.: **29/161,444**

(22) Filed: **May 29, 2002**

(51) **LOC (7) Cl.** **14-02**

(52) **U.S. Cl.** **D18/55**

(58) **Field of Search** D18/36-39, 50,
D18/54-55; D14/462-470; 400/613, 613.1-613.4,
691-694, 690.1-690.4

(56) **References Cited**

U.S. PATENT DOCUMENTS

D439,274 S * 3/2001 Dwyer et al. D18/55

D443,296 S * 6/2001 Dwyer et al. D18/55

D449,066 S * 10/2001 Dwyer et al. D18/55

D460,478 S * 7/2002 Bishop et al. D18/55

D460,479 S * 7/2002 Bishop et al. D18/55

D466,552 S * 12/2002 Hwang et al. D18/55

* cited by examiner

Primary Examiner—Cathy Anne MacCormac

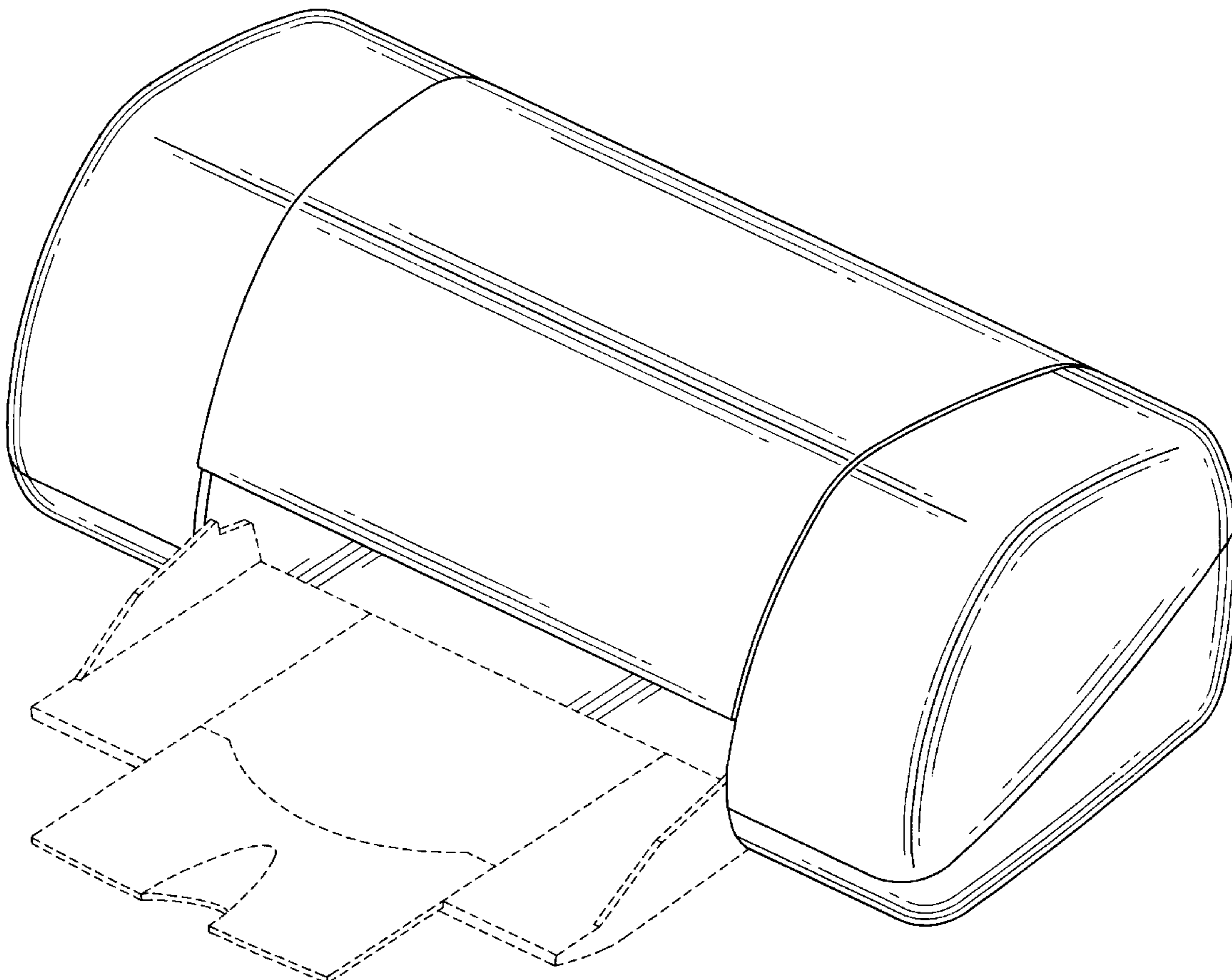
(57) **CLAIM**

An ornamental design for a printer, substantially as shown and described.

DESCRIPTION

FIG. 1 is a perspective view of a printer;
FIG. 2 is a top view thereof;
FIG. 3 is a front view thereof;
FIG. 4 is a rear view thereof; and,
FIG. 5 is a right side view thereof, the left side being a mirror image.

1 Claim, 4 Drawing Sheets



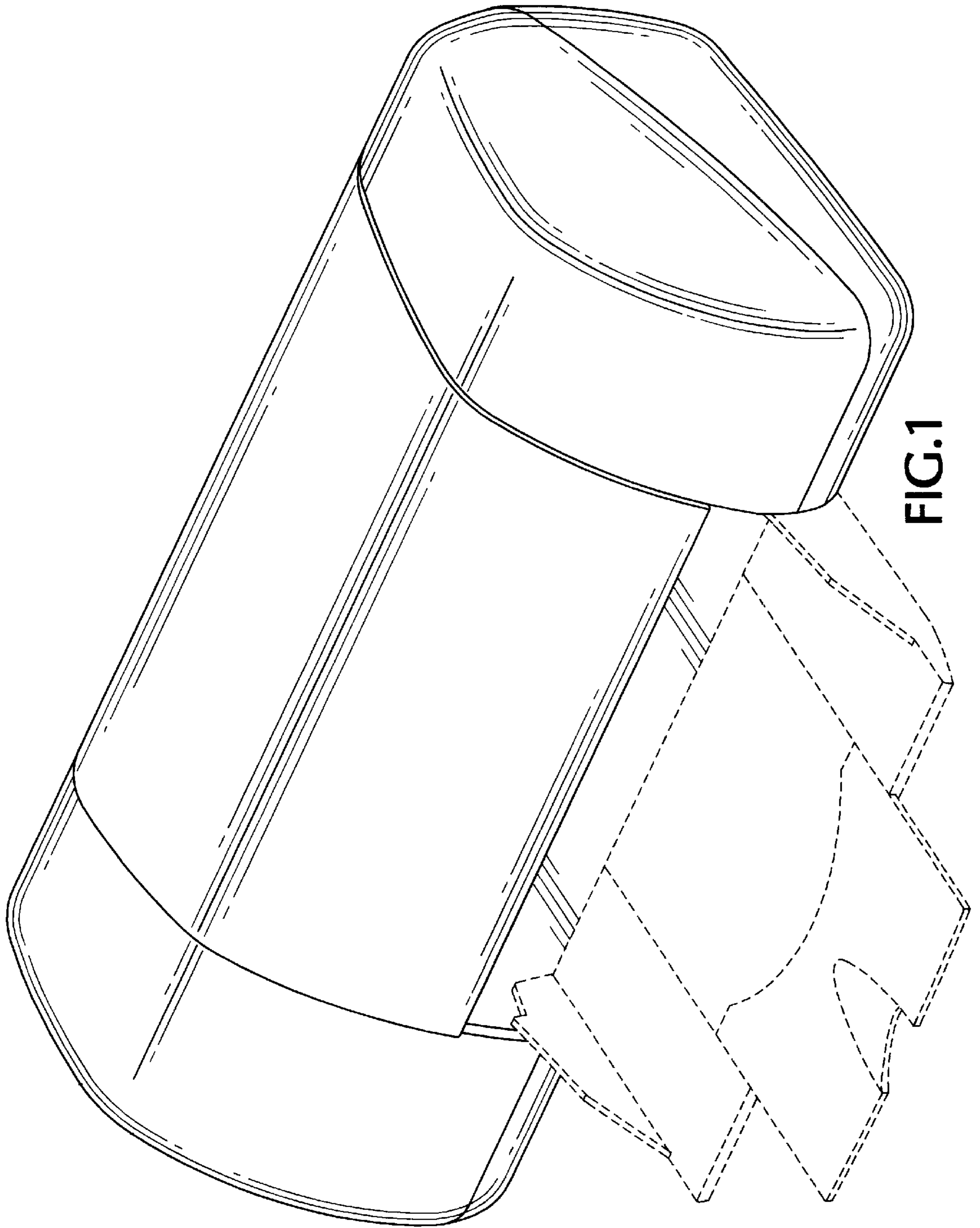


FIG.1

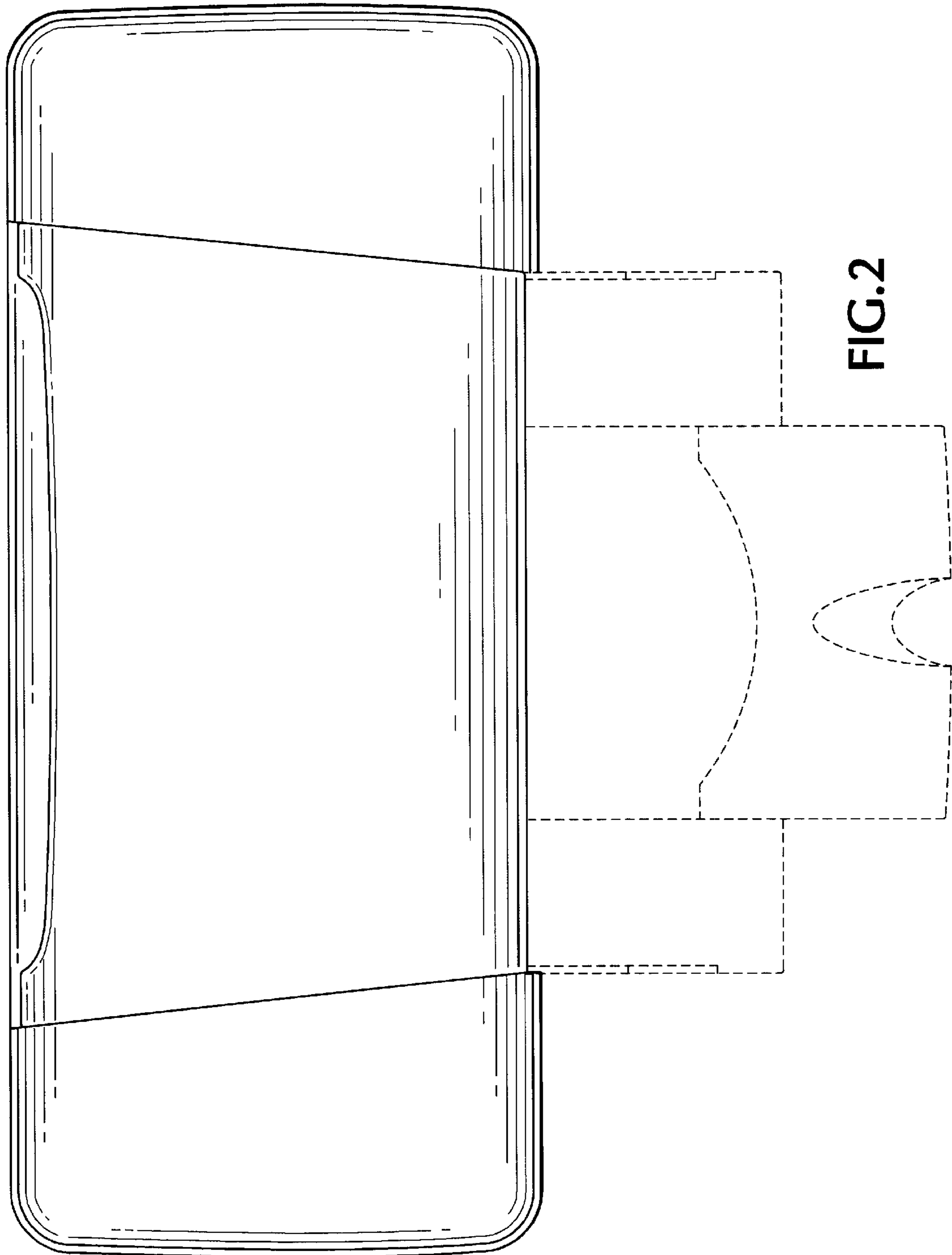


FIG.2

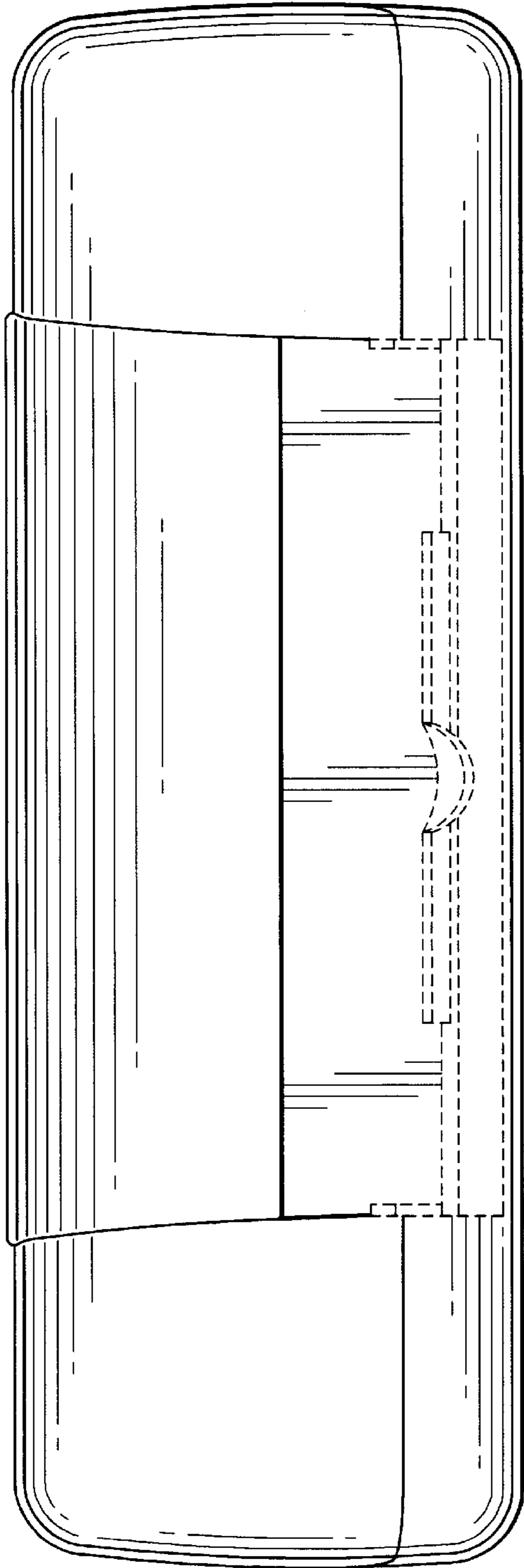


FIG. 3

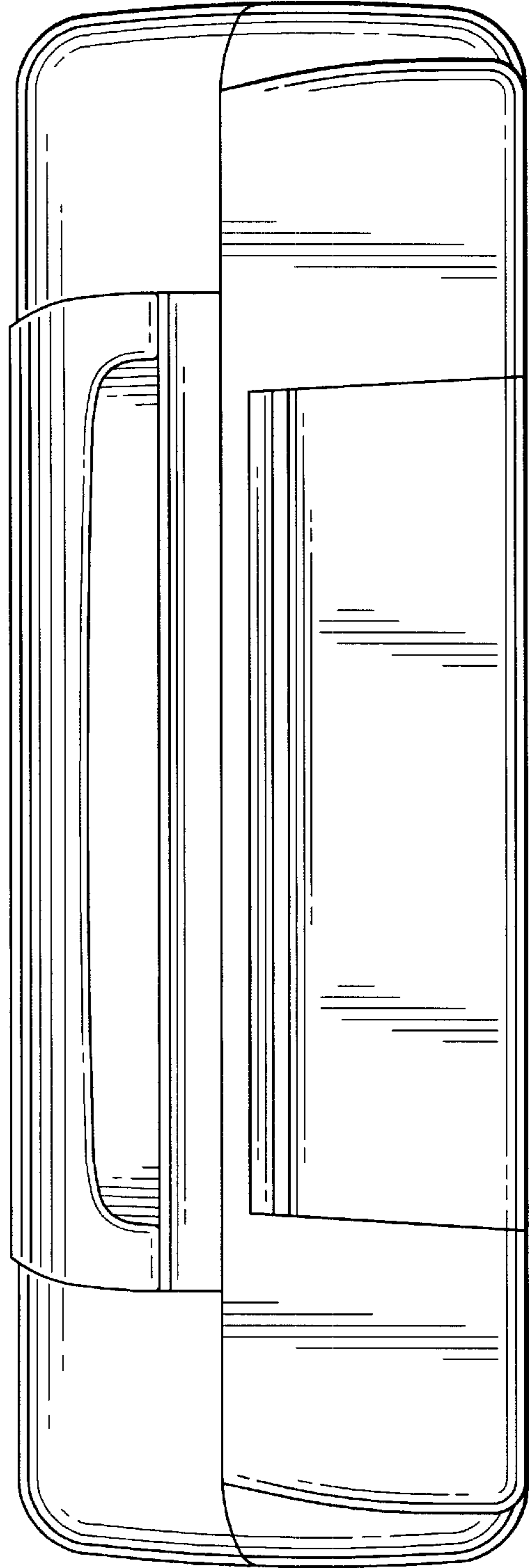


FIG. 4

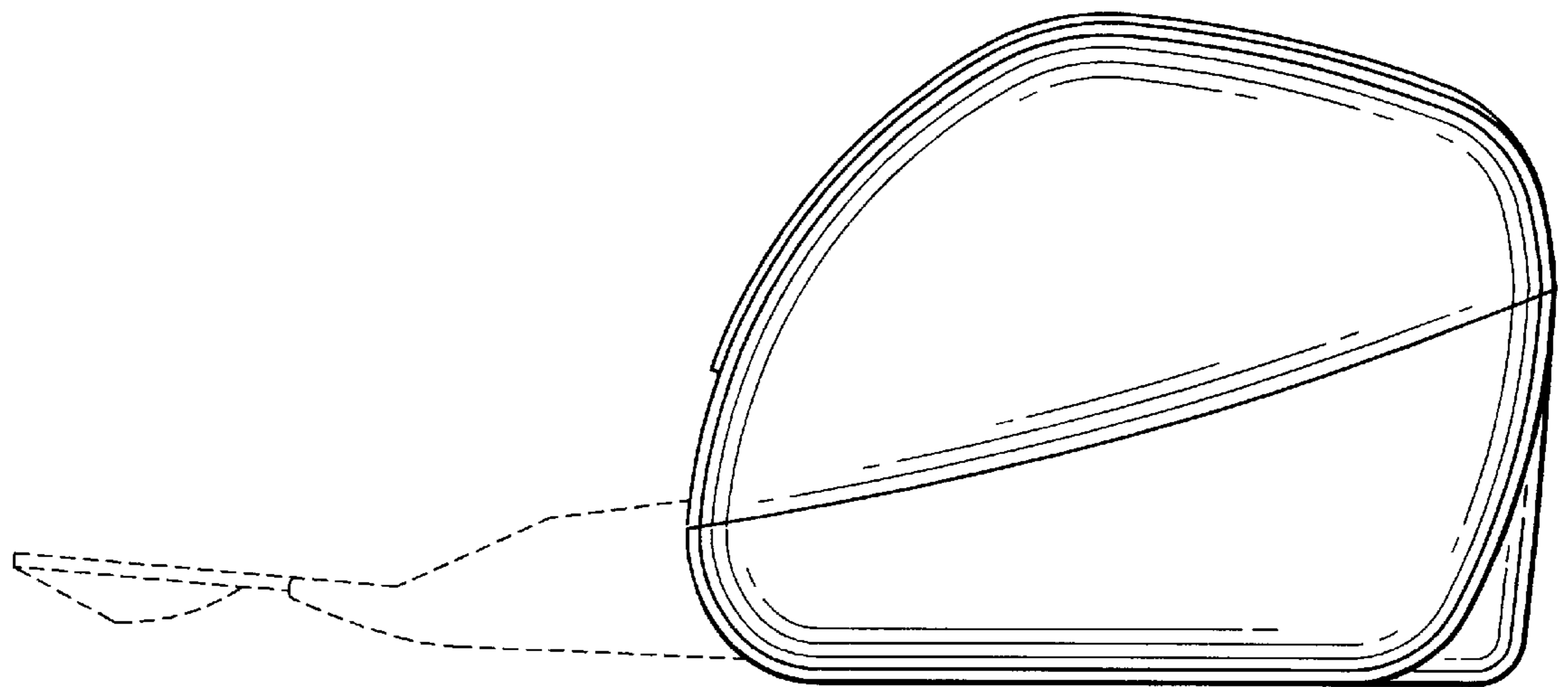


FIG. 5