



US00D478116S

(12) **United States Design Patent**  
Nakaeda et al.

(10) **Patent No.:** **US D478,116 S**

(45) **Date of Patent:** **\*\* Aug. 5, 2003**

(54) **LABEL PRINTER**

(75) Inventors: **Masayuki Nakaeda, Kawasaki (JP);  
Yuji Yugaya, Tokyo (JP)**

(73) Assignee: **Toshiba Tec Kabushiki Kaisha, Tokyo  
(JP)**

(\*\*) Term: **14 Years**

(21) Appl. No.: **29/172,642**

(22) Filed: **Dec. 16, 2002**

(30) **Foreign Application Priority Data**

Jun. 17, 2002 (JP) ..... 2002-016189

(51) **LOC (7) Cl.** ..... **18-02**

(52) **U.S. Cl.** ..... **D18/19**

(58) **Field of Search** ..... D18/36-39, 19,  
D18/50, 52, 53-55; 156/384; 101/93.4,  
269; 400/613, 613.4, 691-694, 690.1-690.4

(56) **References Cited**

**U.S. PATENT DOCUMENTS**

D340,471 S \* 10/1993 Yamamoto ..... D18/50  
5,401,352 A \* 3/1995 Matsushita et al. .... 156/384

5,707,162 A \* 1/1998 Kasai et al. .... 400/692  
D393,278 S \* 4/1998 Lee ..... D18/50  
5,863,141 A \* 1/1999 Hong et al. .... 400/692  
5,927,878 A \* 7/1999 Kasai et al. .... 400/691  
D415,789 S \* 10/1999 Lardant ..... D18/50  
D439,272 S \* 3/2001 Kobayashi et al. .... D18/50  
6,261,013 B1 \* 7/2001 Bryer et al. .... 400/613

\* cited by examiner

*Primary Examiner*—Charles A Rademaker

(74) *Attorney, Agent, or Firm*—Darby & Darby

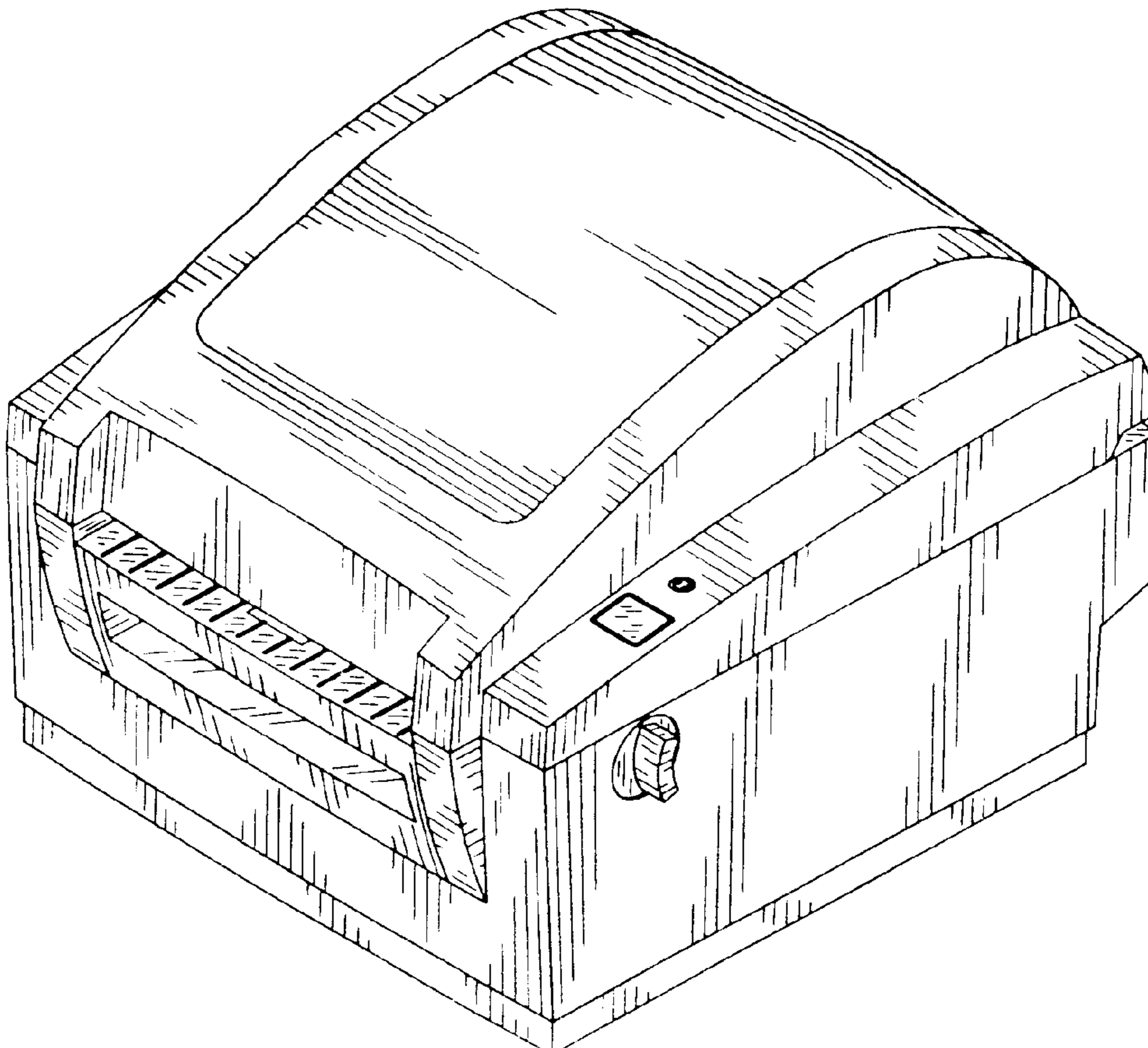
(57) **CLAIM**

We claim the ornamental design for a label printer, as shown.

**DESCRIPTION**

FIG. 1 is a front perspective view of our design for a label printer;  
FIG. 2 is a rear perspective view thereof;  
FIG. 3 is a front elevational view thereof;  
FIG. 4 is a rear elevational view thereof;  
FIG. 5 is a top plan view thereof;  
FIG. 6 is a bottom plan view thereof;  
FIG. 7 is a left side elevational view thereof; and,  
FIG. 8 is a right side elevational view thereof.

**1 Claim, 4 Drawing Sheets**



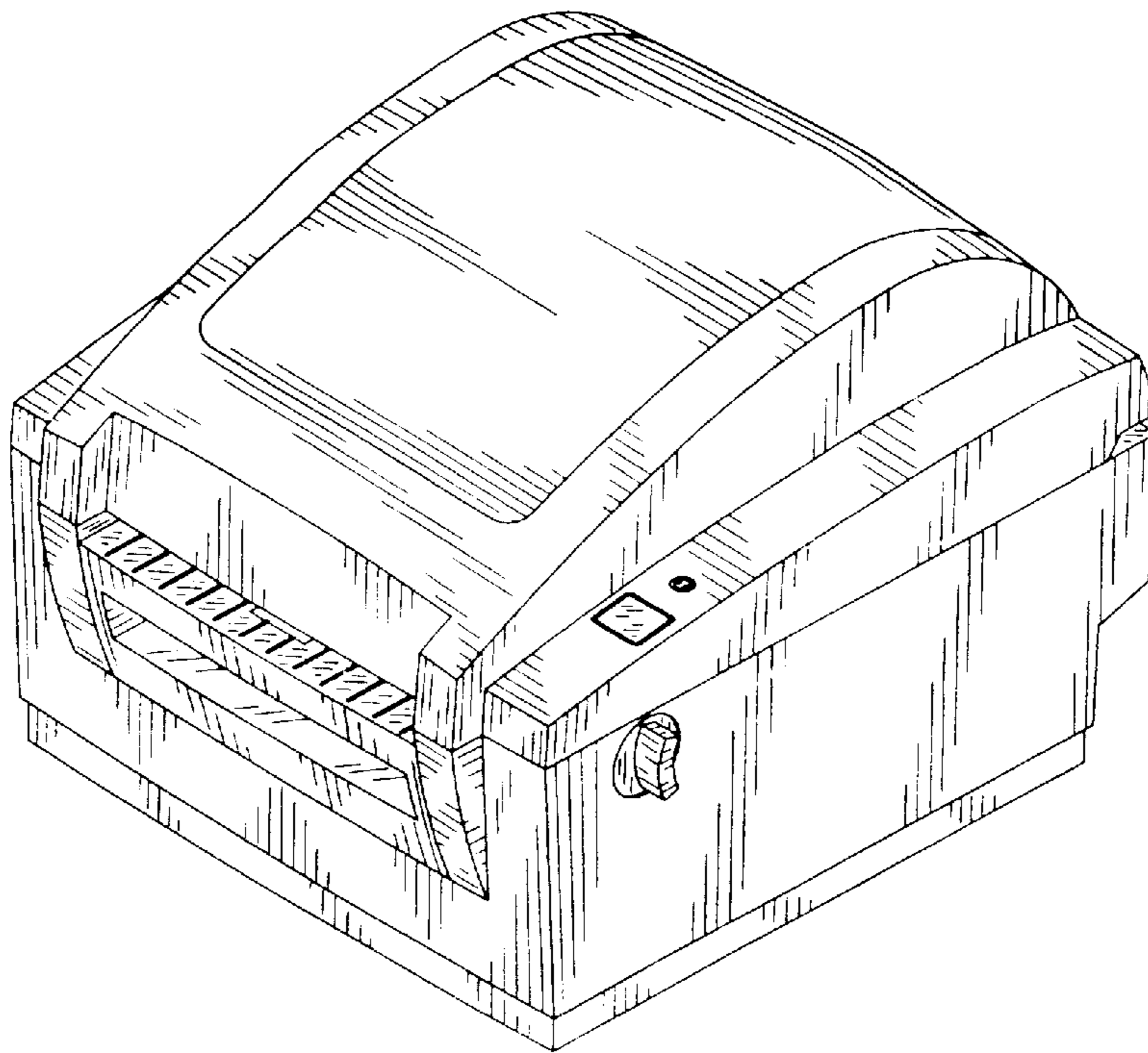


FIG. 1

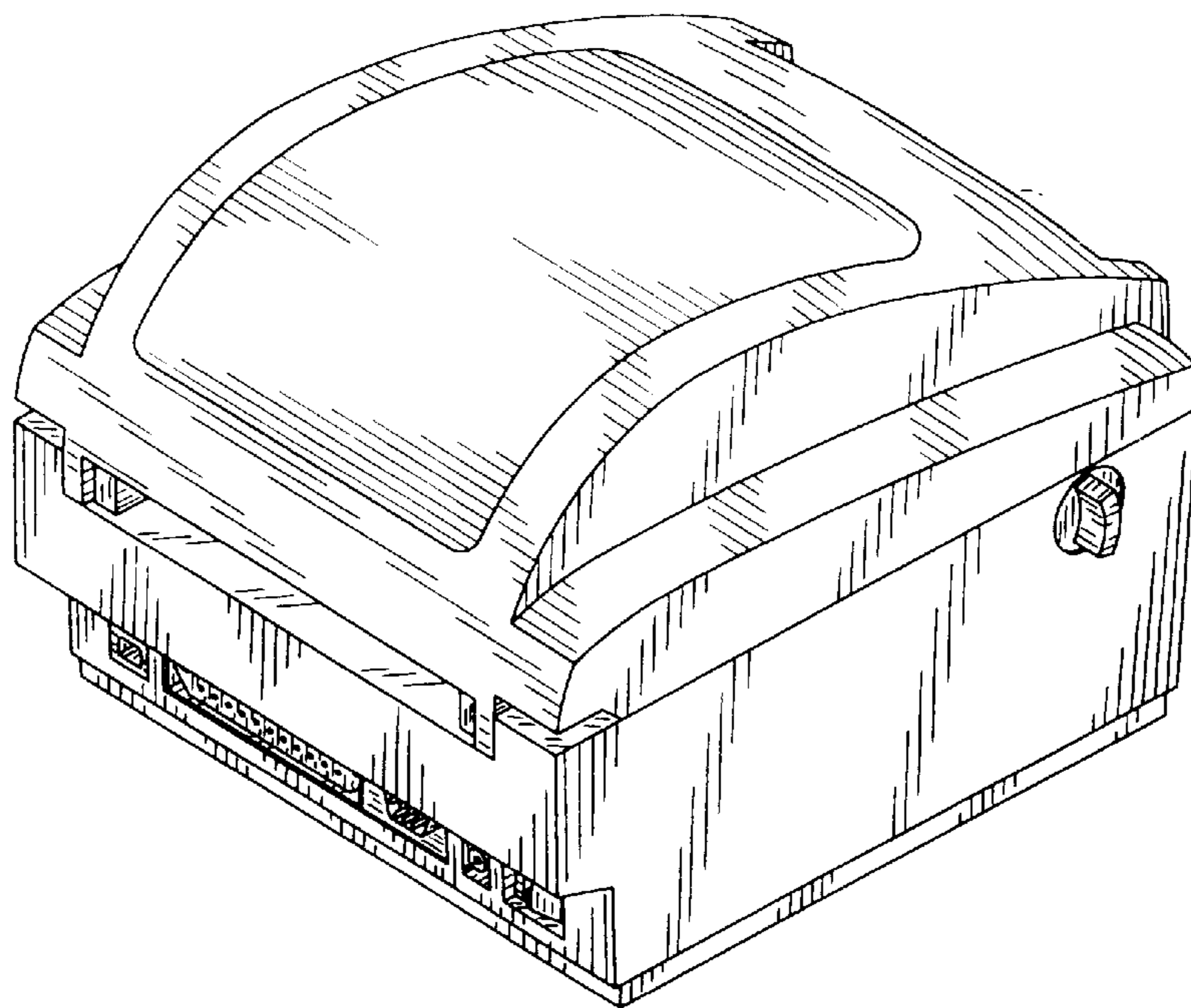


FIG. 2

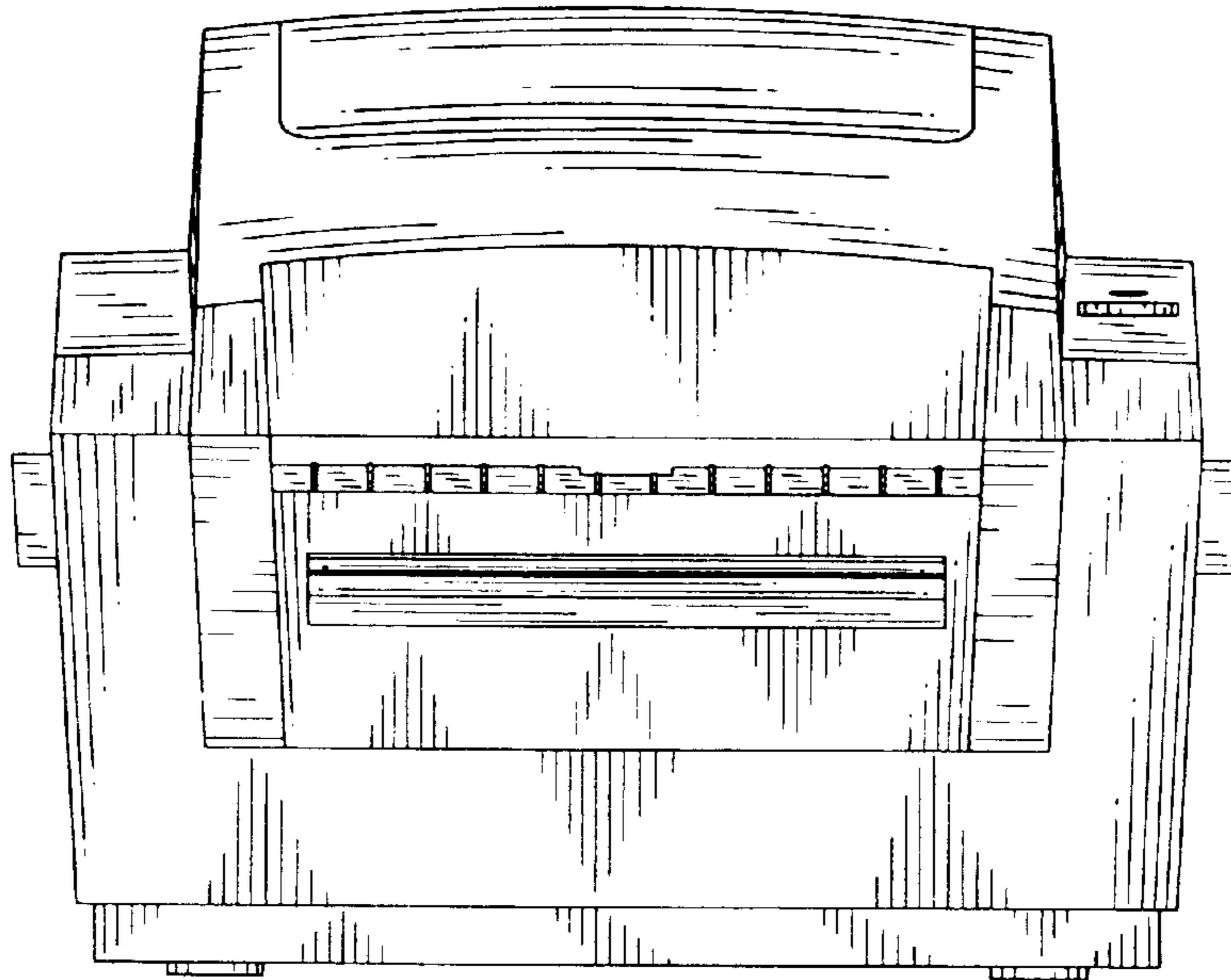


FIG. 3

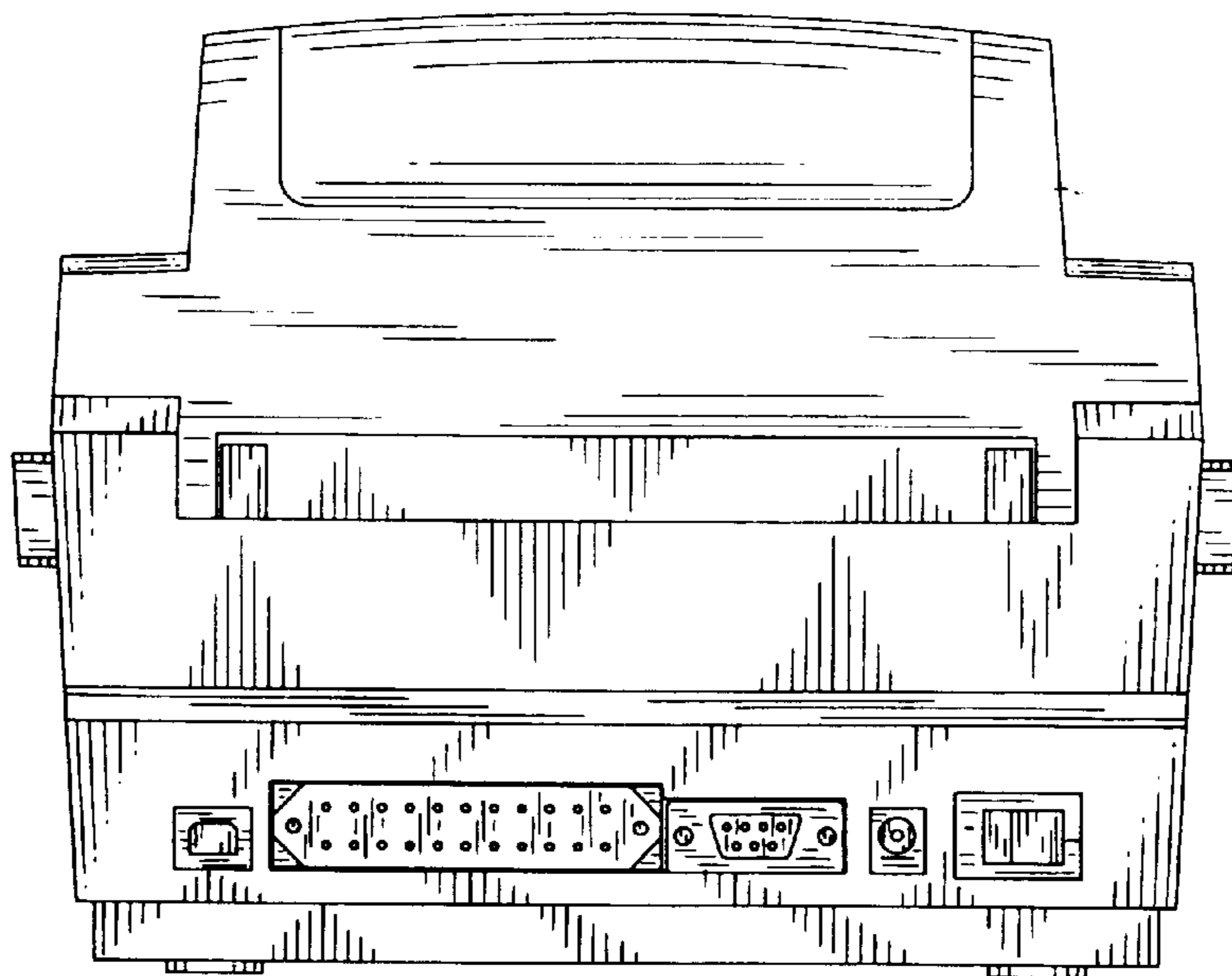


FIG. 4

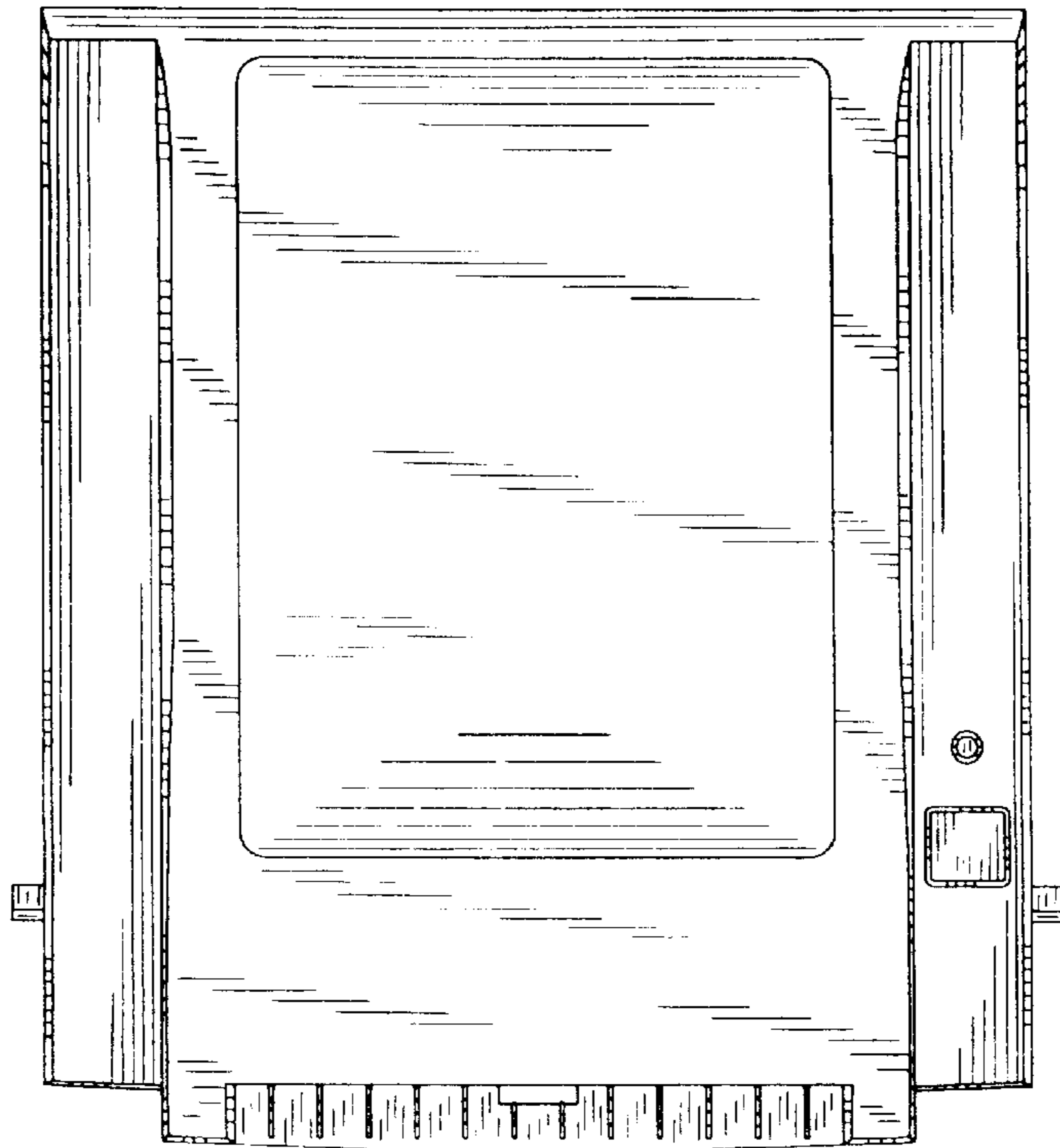


FIG. 5

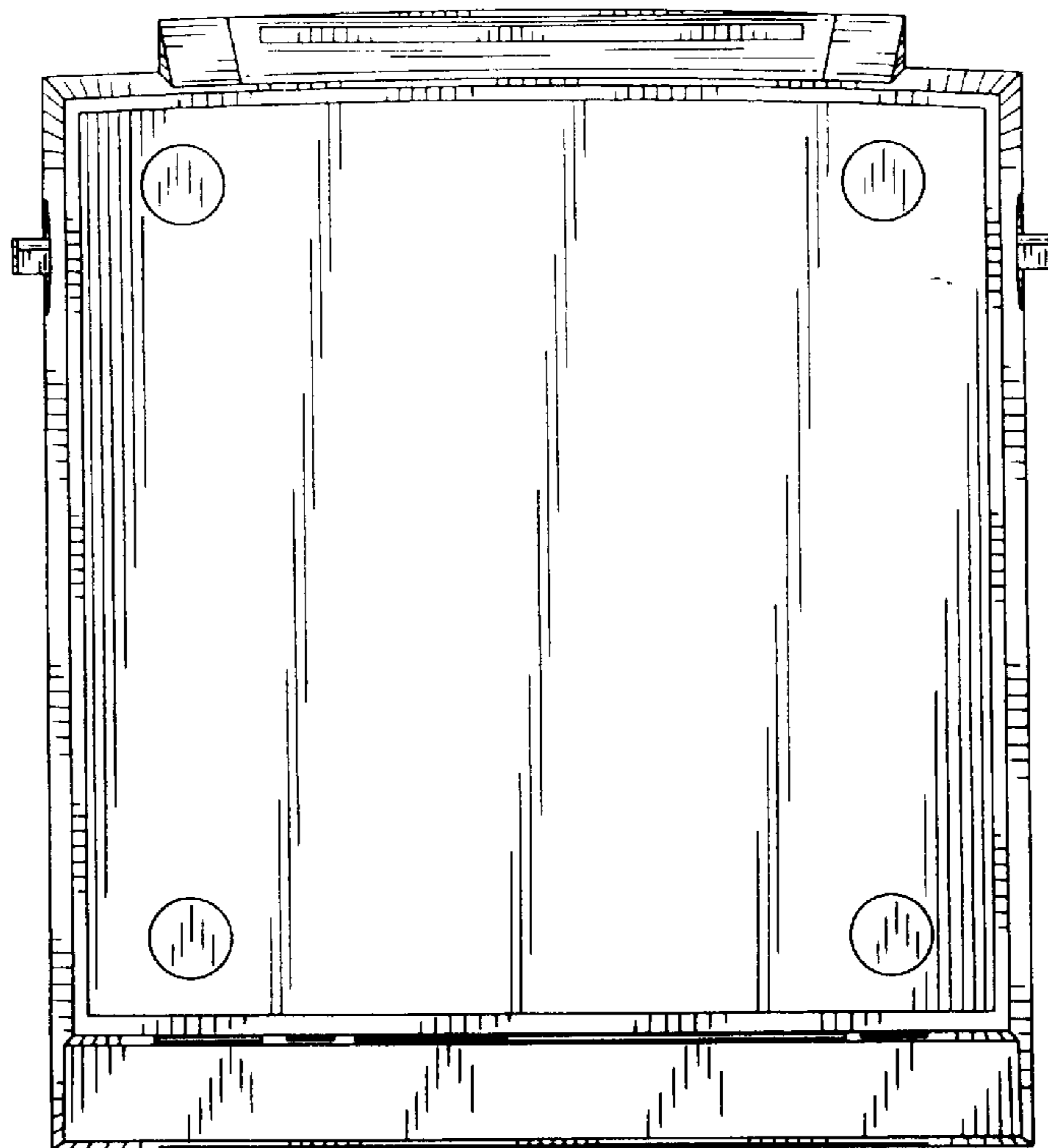


FIG. 6

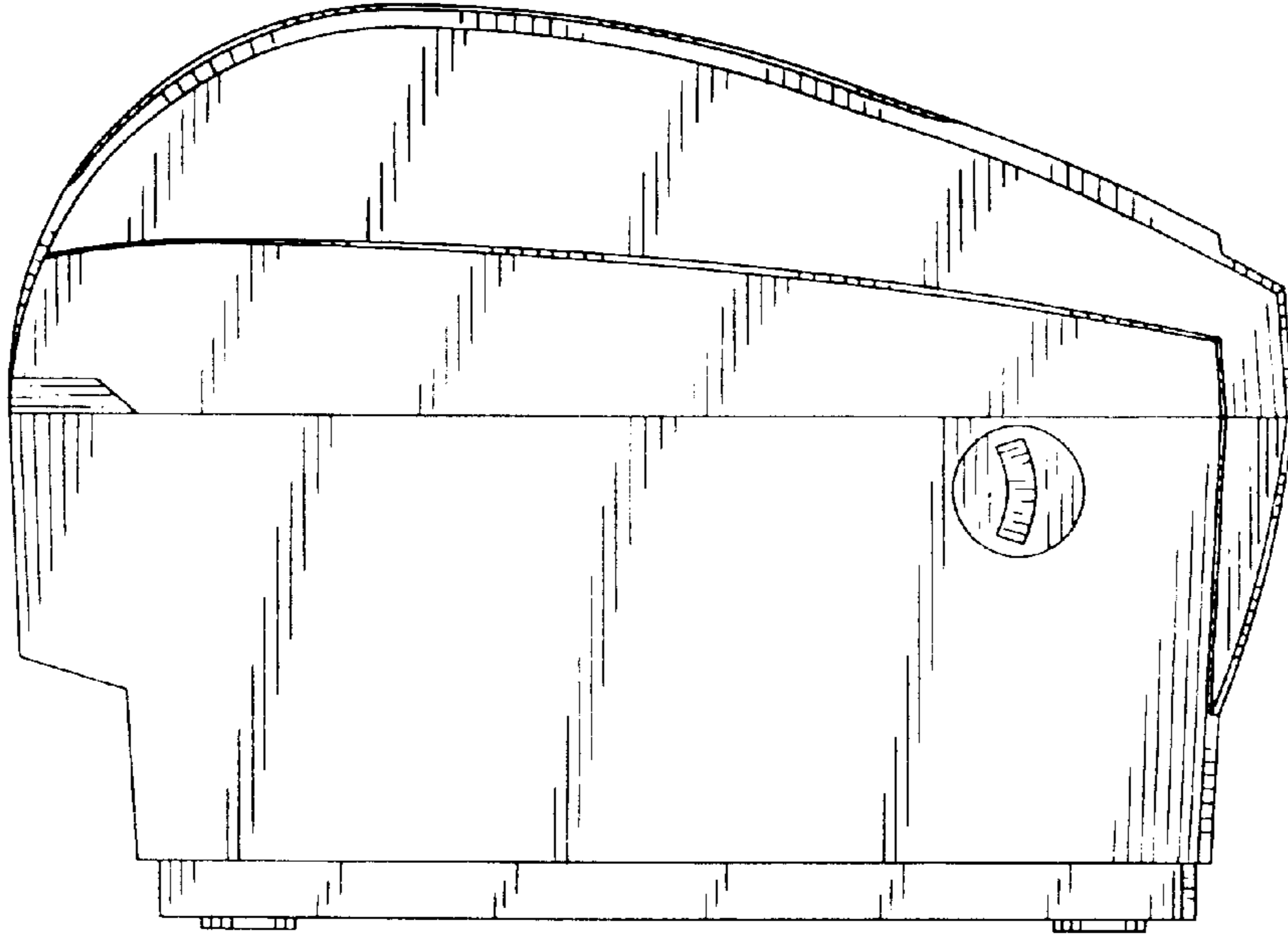


FIG. 7

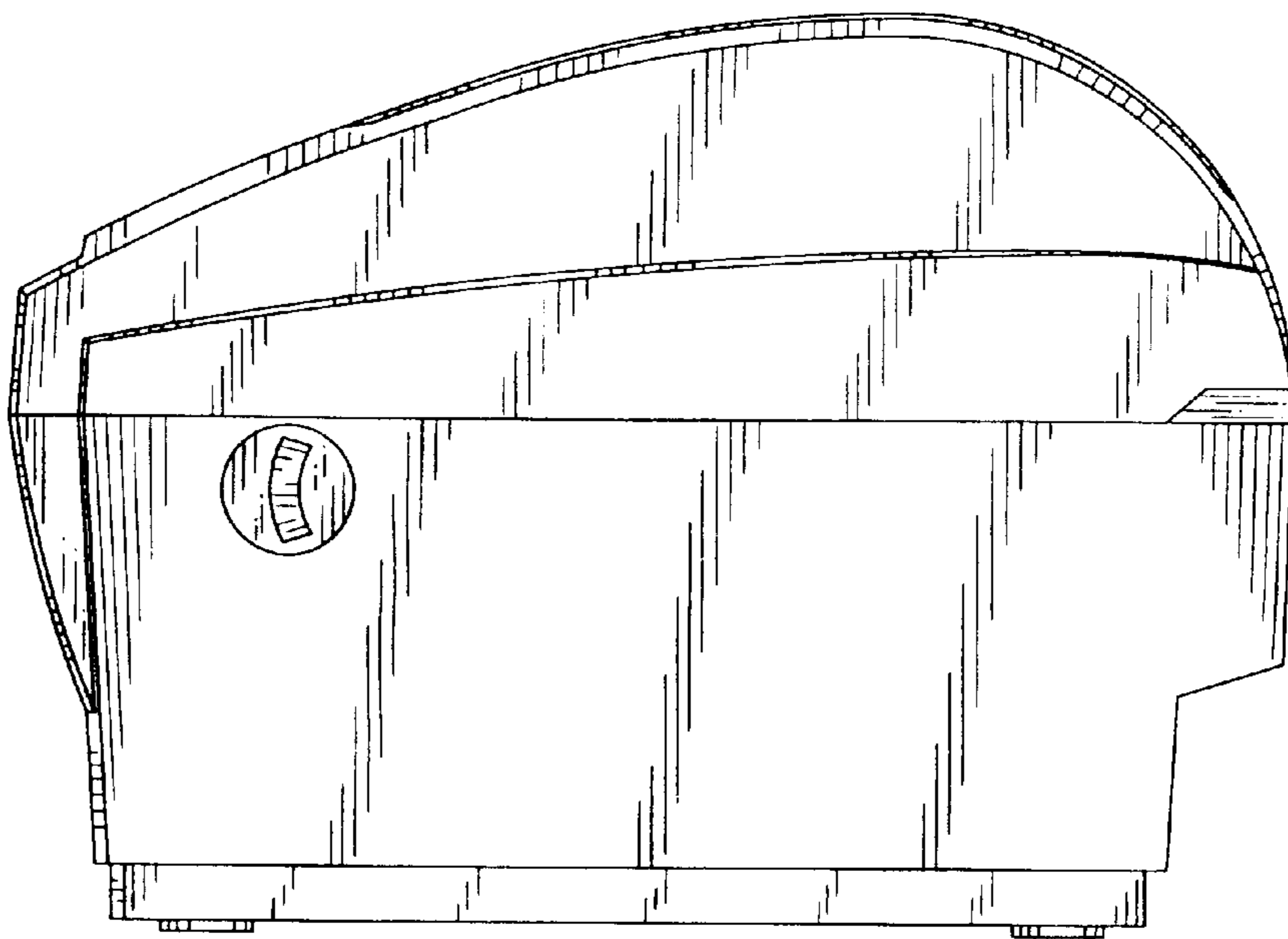


FIG. 8