



US00D478115S

(12) **United States Design Patent**
Lebrun

(10) **Patent No.:** **US D478,115 S**

(45) **Date of Patent:** **** Aug. 5, 2003**

(54) **HAND-HELD ELECTRONIC STAMPER**

5,765,484 A * 6/1998 Lam 101/327
5,848,401 A 12/1998 Goldberg et al.

(76) Inventor: **Jean W Lebrun**, P.O. Box 381184,
Miami, FL (US) 33238

* cited by examiner

(**) Term: **14 Years**

Primary Examiner—Charles A. Rademaker

(21) Appl. No.: **29/152,816**

(57) **CLAIM**

(22) Filed: **Dec. 28, 2001**

The ornamental design for a hand-held electronic stamper,
as shown and described.

(51) **LOC (7) Cl.** **19-02**

DESCRIPTION

(52) **U.S. Cl.** **D18/14**

(58) **Field of Search** D18/14, 15, 18,
D18/19, 21, 56; 400/692, 691, 679, 613,
613.1; 347/222, 263, 245; 118/256, 257;
101/103, 106, 327, 368, 371, 405, 406

FIG. 1 is a front elevational view of the hand-held electronic
stamper of the present invention;

FIG. 2 is a rear elevational view of the hand-held electronic
stamper of FIG. 1;

FIG. 3 is a left side elevational view of the hand-held
electronic stamper of FIG. 1, the right view being a mirror
image thereof;

(56) **References Cited**

U.S. PATENT DOCUMENTS

2,148,570 A	*	2/1939	Metzger	101/103
D160,469 S	*	10/1950	Brenner et al.	D18/15
2,900,902 A	*	8/1959	Becker	101/368
3,626,845 A		12/1971	Whitaker	
4,149,459 A	*	4/1979	Flynn et al.	101/103
D262,119 S		12/1981	Cannella	
4,436,439 A		3/1984	Koto	
D323,527 S	*	1/1992	Weir et al.	D18/15
5,271,322 A		12/1993	Palms	
D371,572 S	*	7/1996	Kawashima et al.	D18/14
5,634,730 A		6/1997	Bobry	

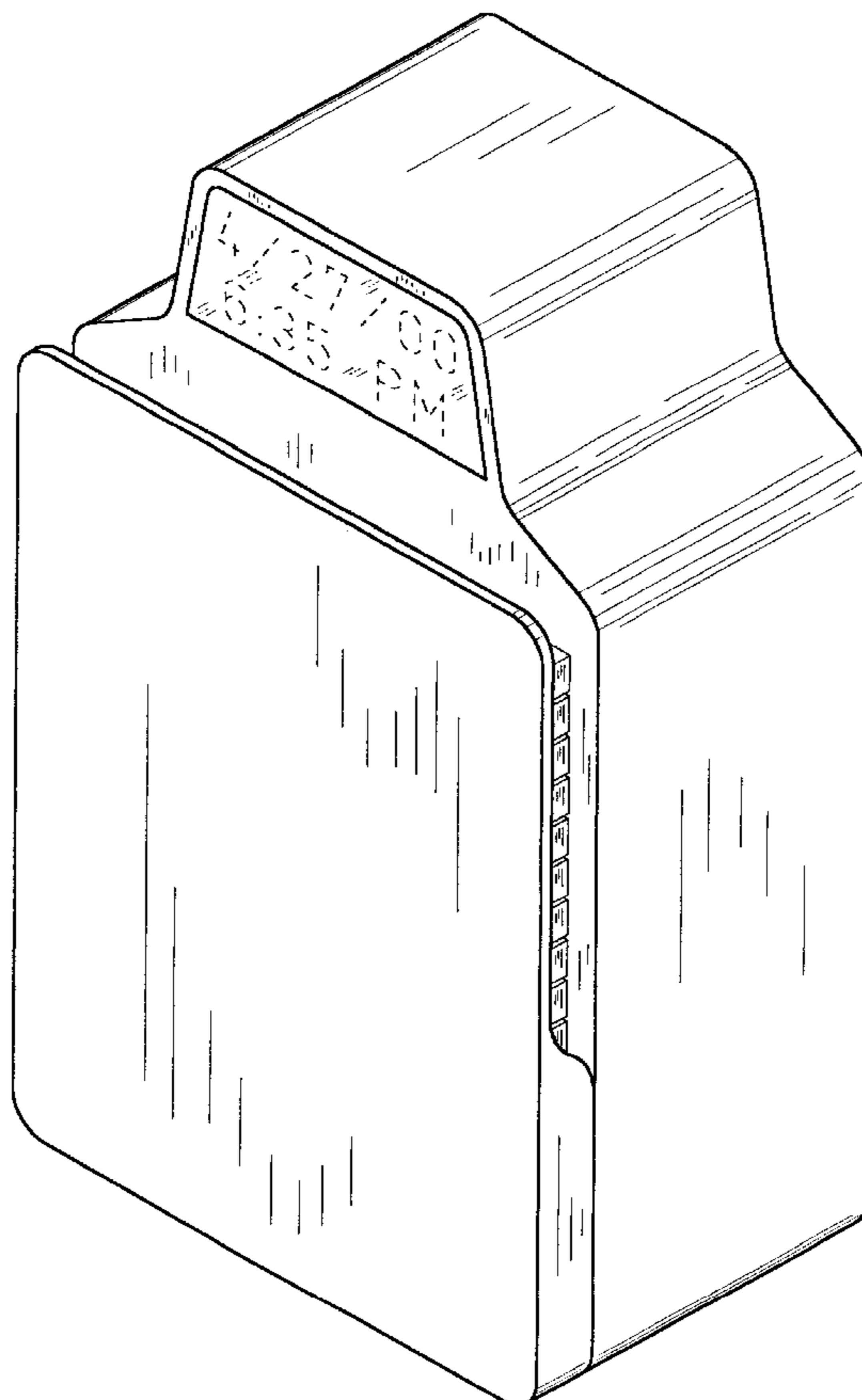
FIG. 4 is a top plan view of the hand-held electronic
stamper of FIG. 1;

FIG. 5 is a bottom plan view of the hand-held electronic
stamper of FIG. 1; and,

FIG. 6 is a top, front, right side perspective in an alternate
position lid closed.

The broken lines showing of a date and time in FIGS. 1 and
6 are for illustrative purposes only and form no part of the
claimed design.

1 Claim, 4 Drawing Sheets



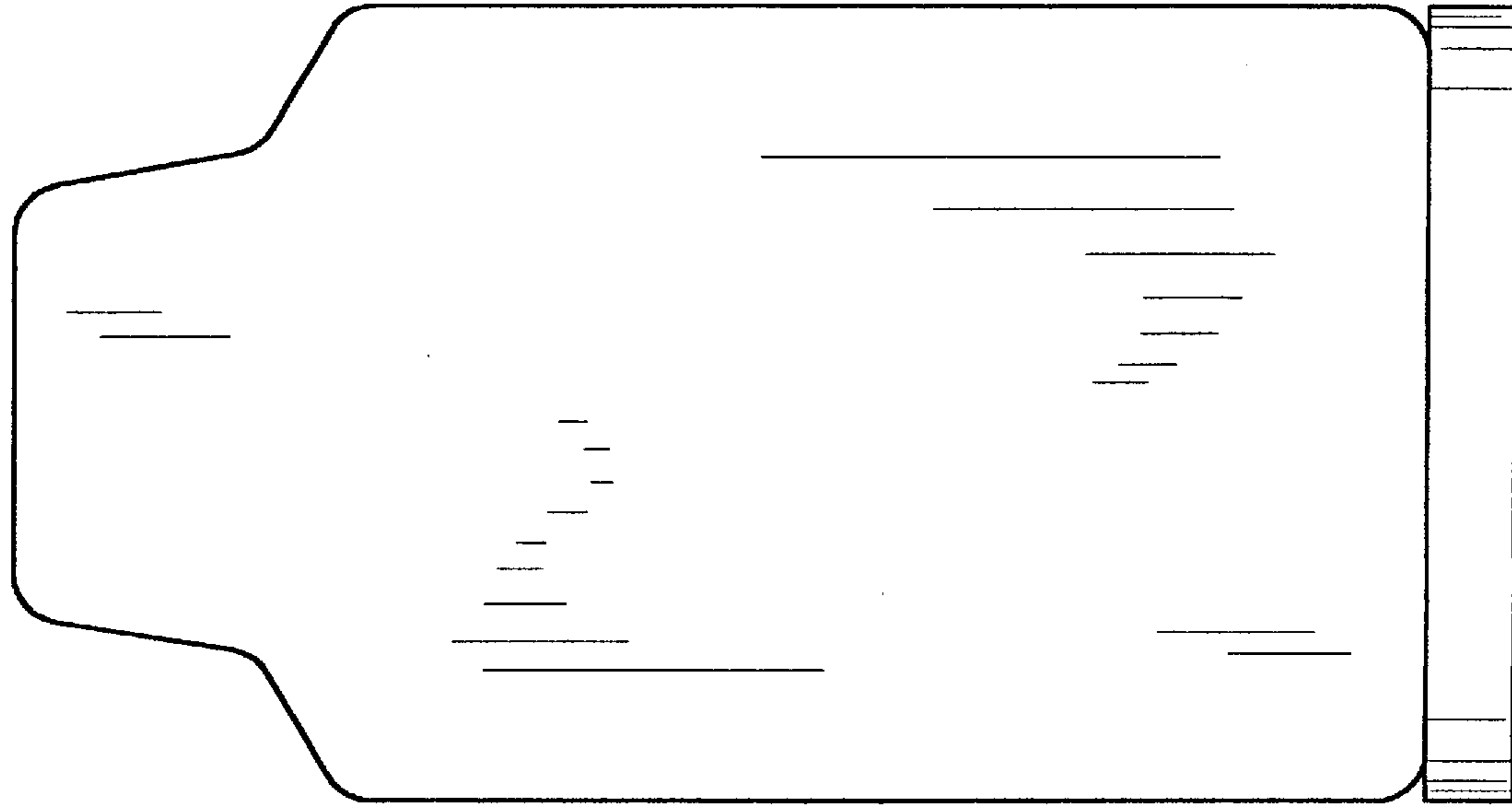


FIG. 2

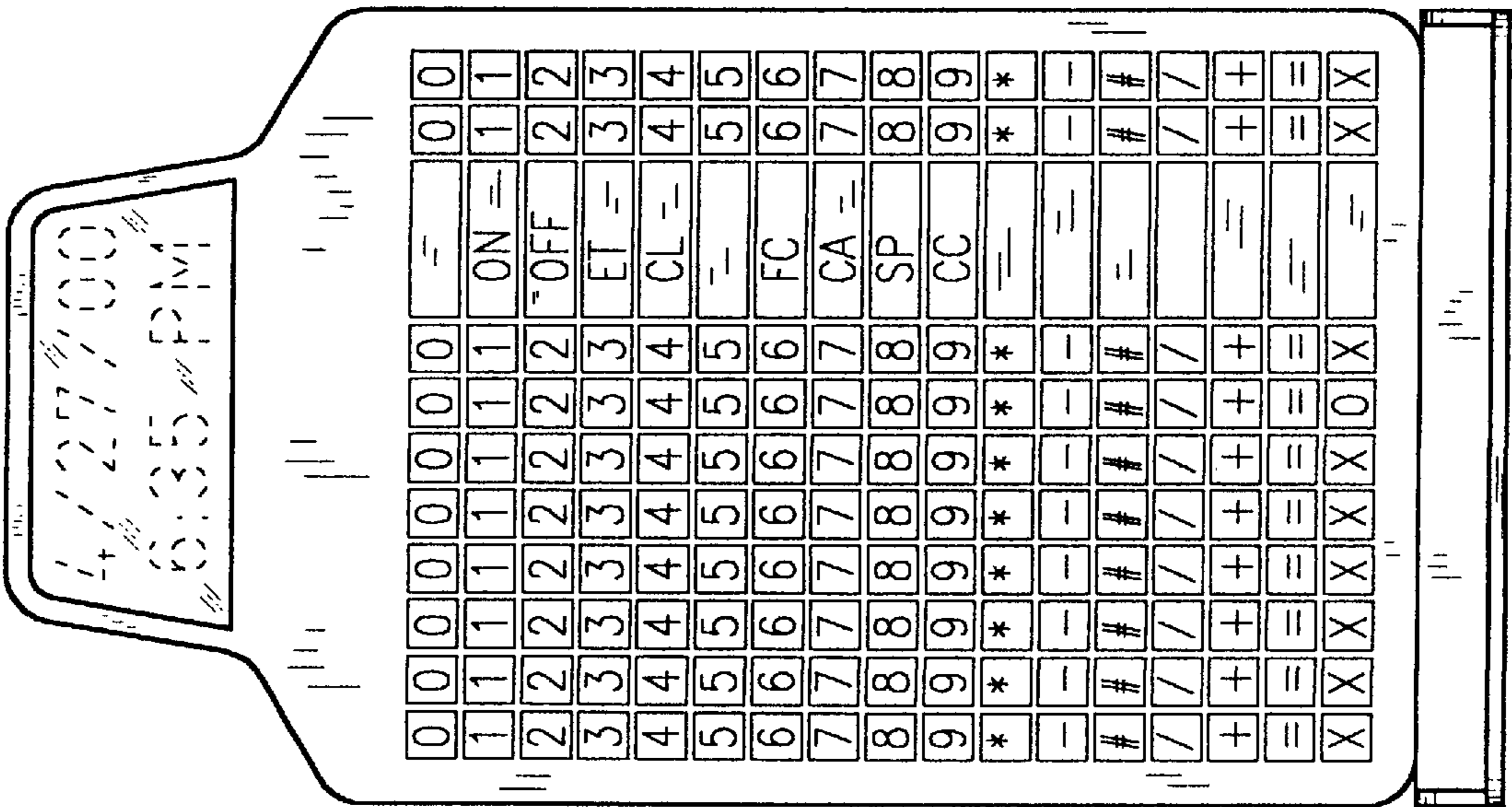


FIG. 1

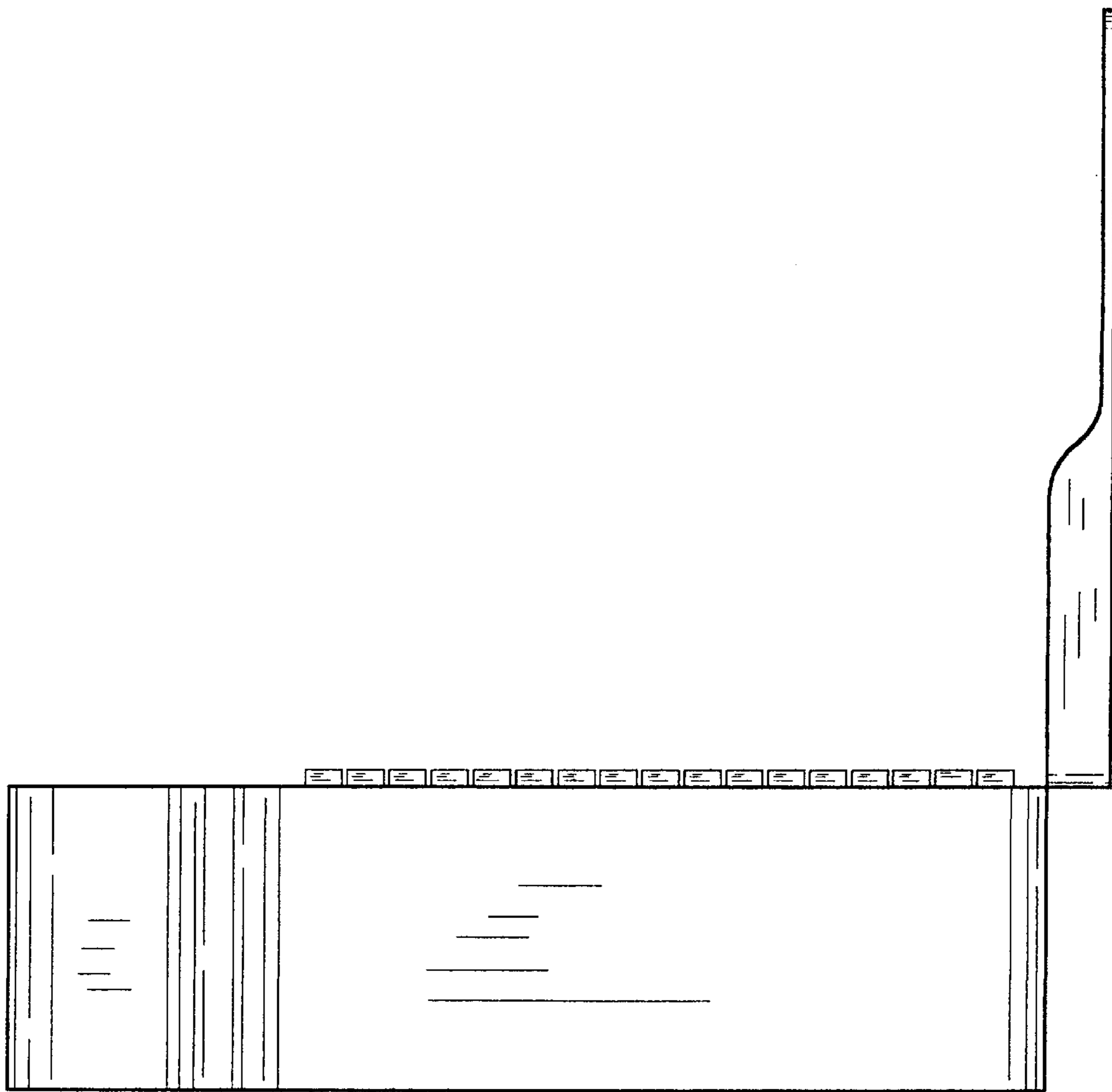


FIG. 3

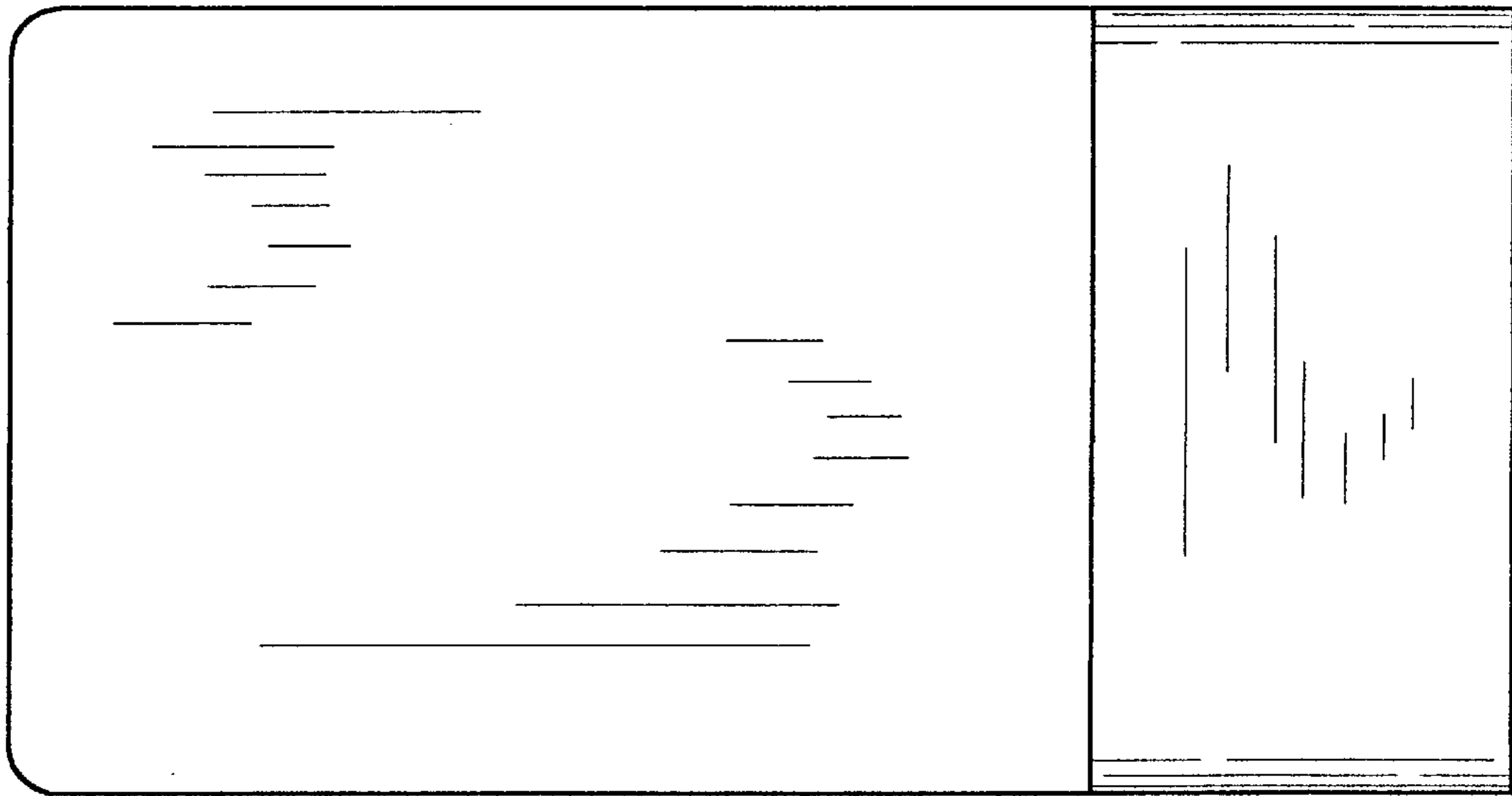


FIG. 5

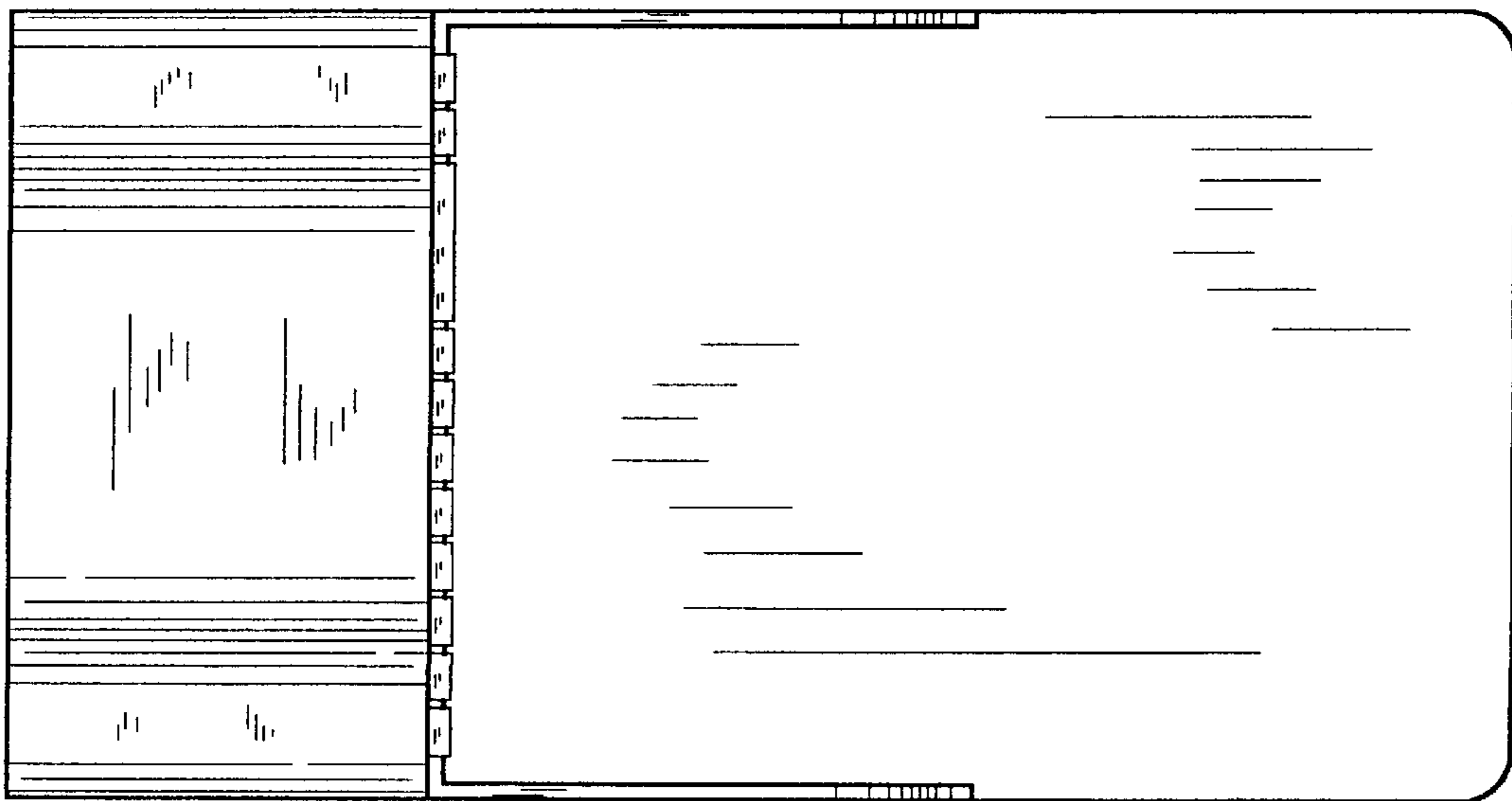


FIG. 4

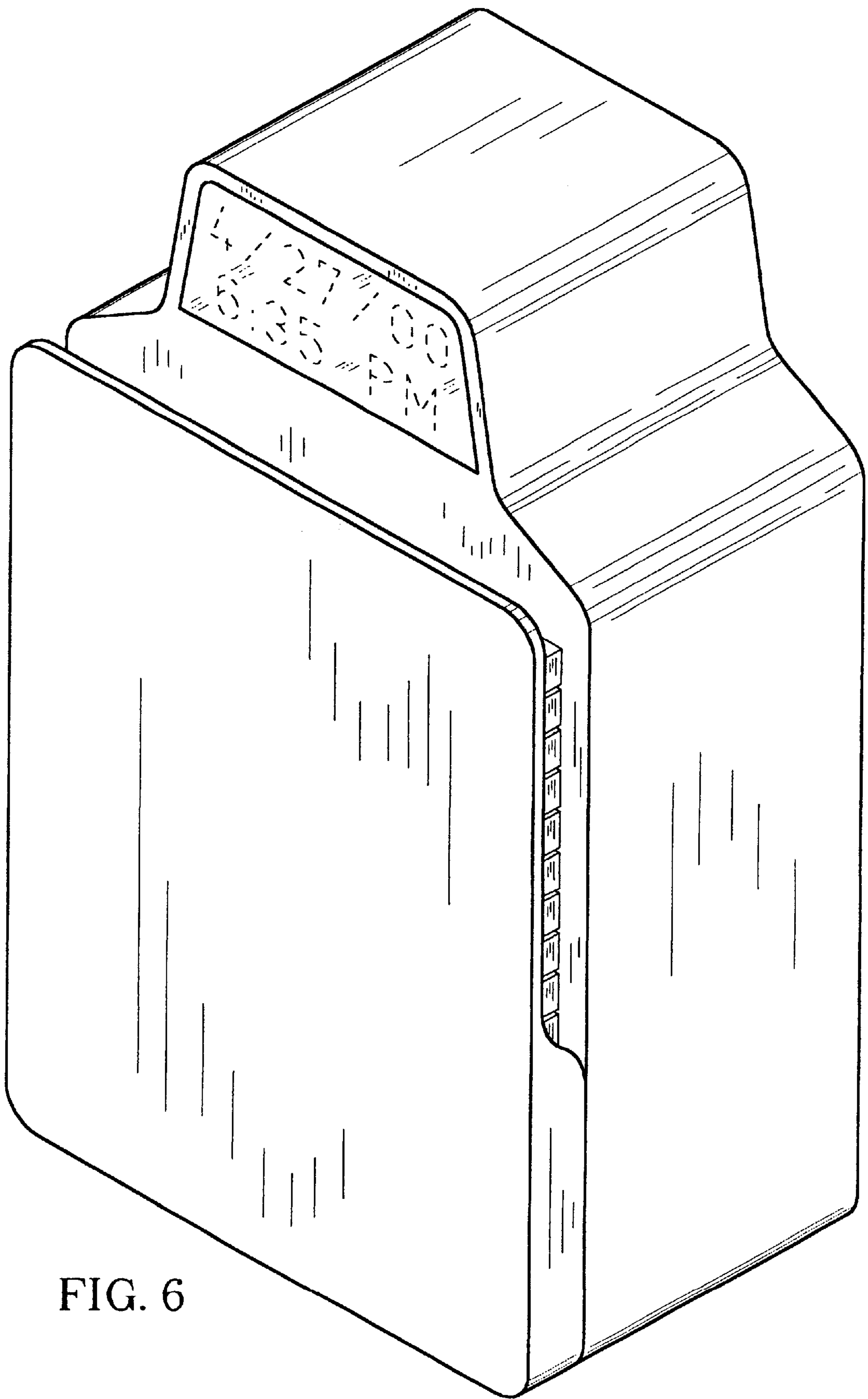


FIG. 6