



US00D478110S

(12) **United States Design Patent**
Nasu

(10) **Patent No.:** **US D478,110 S**

(45) **Date of Patent:** **** Aug. 5, 2003**

(54) **TRIM RING FOR DIGITAL CAMERA**

(75) Inventor: **Miyoshi Nasu**, Tokyo (JP)

(73) Assignee: **Pentax Corporation**, Tokyo (JP)

(**) Term: **14 Years**

(21) Appl. No.: **29/167,189**

(22) Filed: **Sep. 11, 2002**

(30) **Foreign Application Priority Data**

Mar. 12, 2002 (JP) 2002-006362

(51) **LOC (7) Cl.** **16-05**

(52) **U.S. Cl.** **D16/219; D16/136**

(58) **Field of Search** D16/134, 136,
D16/200, 202, 203, 204, 218, 219, 237;
348/373-376; 359/825-828; 396/532, 544

(56) **References Cited**

U.S. PATENT DOCUMENTS

- 1,394,078 A * 10/1921 Frederick 359/825
- 4,457,609 A * 7/1984 Tomino et al. 396/532
- D437,869 S * 2/2001 Nakanishi et al. D16/219
- D457,903 S 5/2002 Nasu
- 6,424,473 B1 * 7/2002 Nakane et al. 359/827
- D465,505 S * 11/2002 Nasu D16/219

FOREIGN PATENT DOCUMENTS

JP 1129208 12/2001

* cited by examiner

Primary Examiner—Adir Aronovich

(74) *Attorney, Agent, or Firm*—Sughrue Mion, PLLC

(57) **CLAIM**

The ornamental design for a trim ring for digital camera, as shown and described.

DESCRIPTION

FIG. 1 is a perspective view of the top, front and left side of a trim ring for digital camera showing my new design;
 FIG. 2 is a top plan view thereof;
 FIG. 3 is a front elevational view thereof;
 FIG. 4 is a left side elevational view thereof;
 FIG. 5 is a right side elevational view thereof;
 FIG. 6 is a rear elevational view of the camera, the trimmed ring not being visible; and,
 FIG. 7 is a bottom plan view thereof.

The portions of the digial camera in broken lines are shown for illustrative purposes only and form no part of the claimed design.

1 Claim, 4 Drawing Sheets

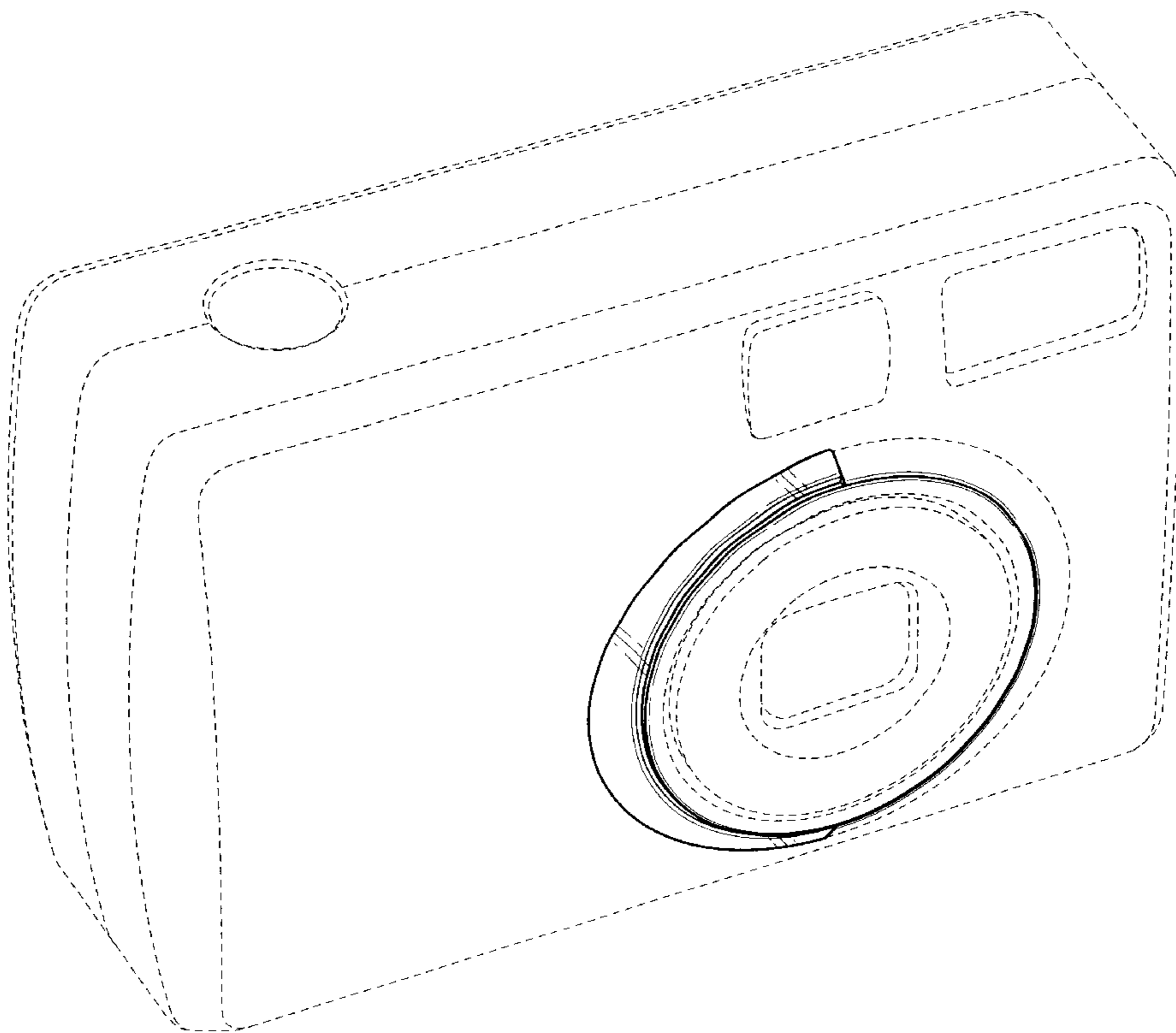


FIG. 1

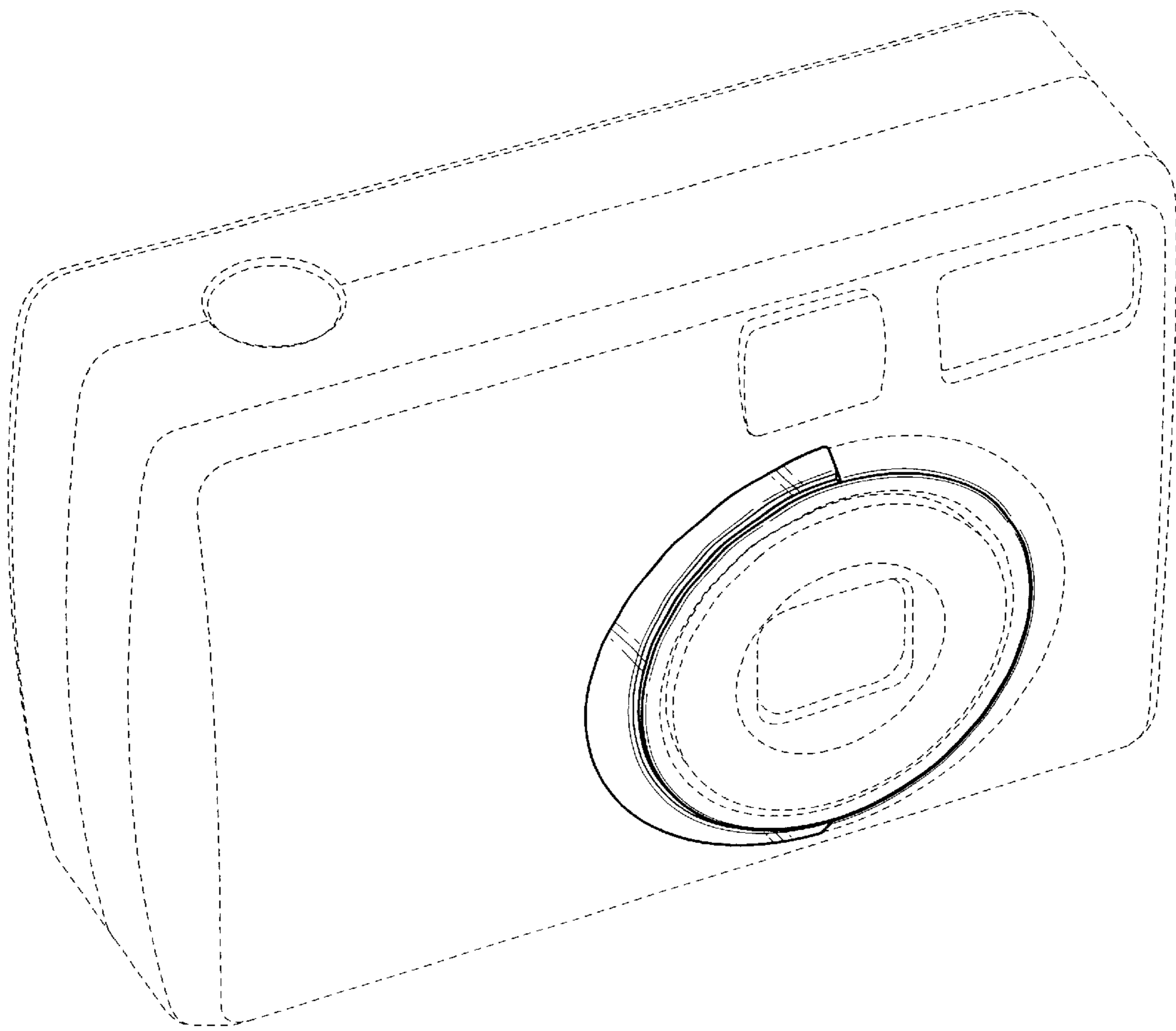


FIG. 2

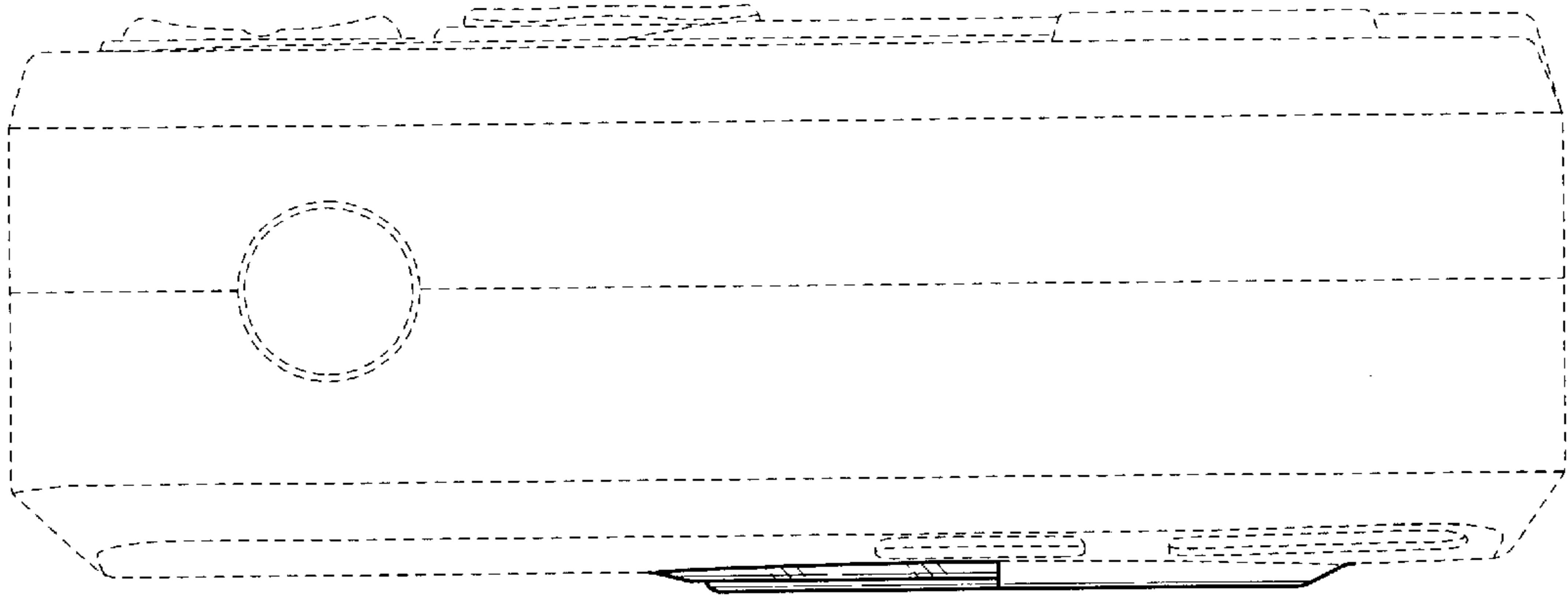


FIG. 3

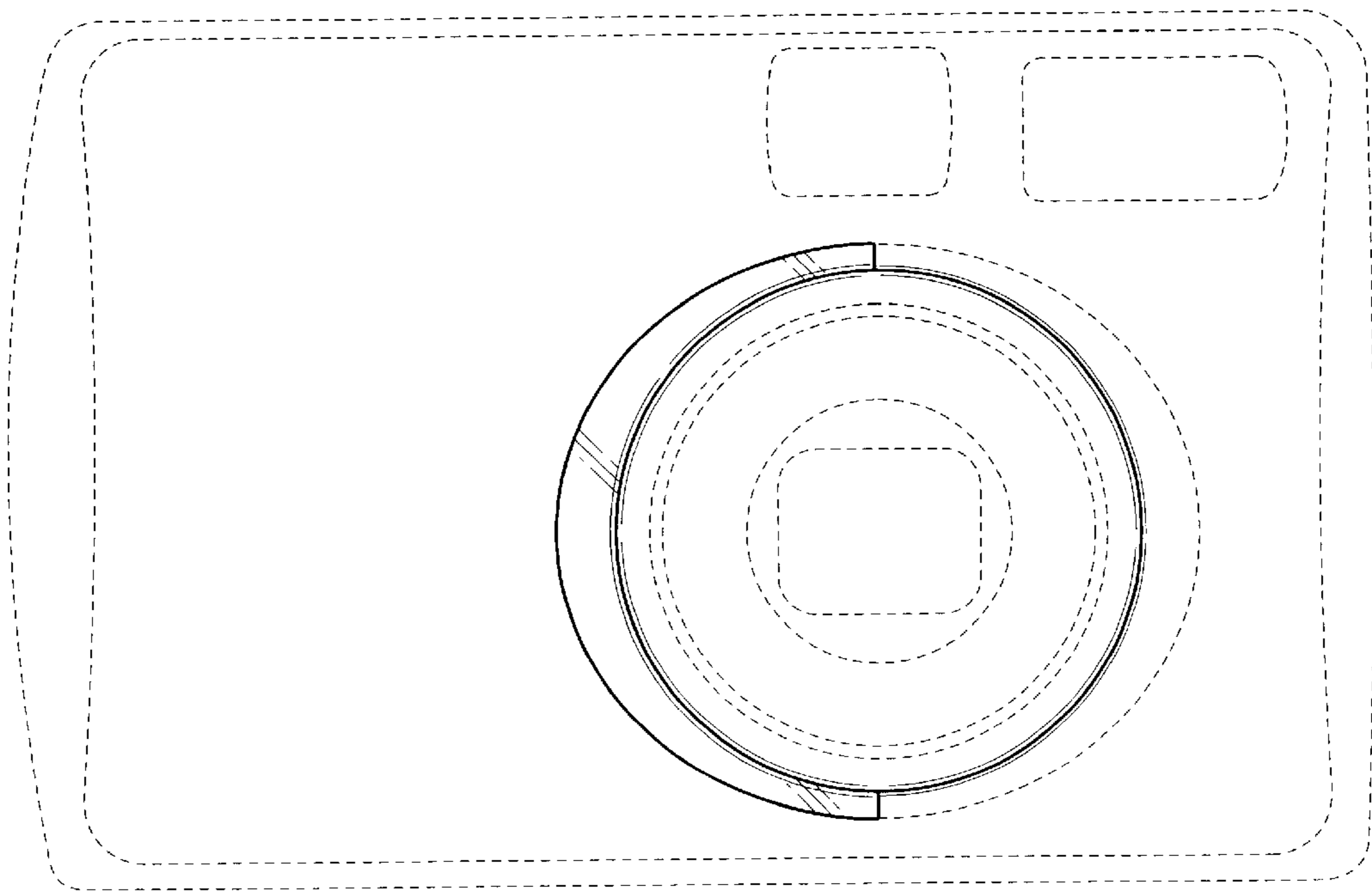


FIG. 4

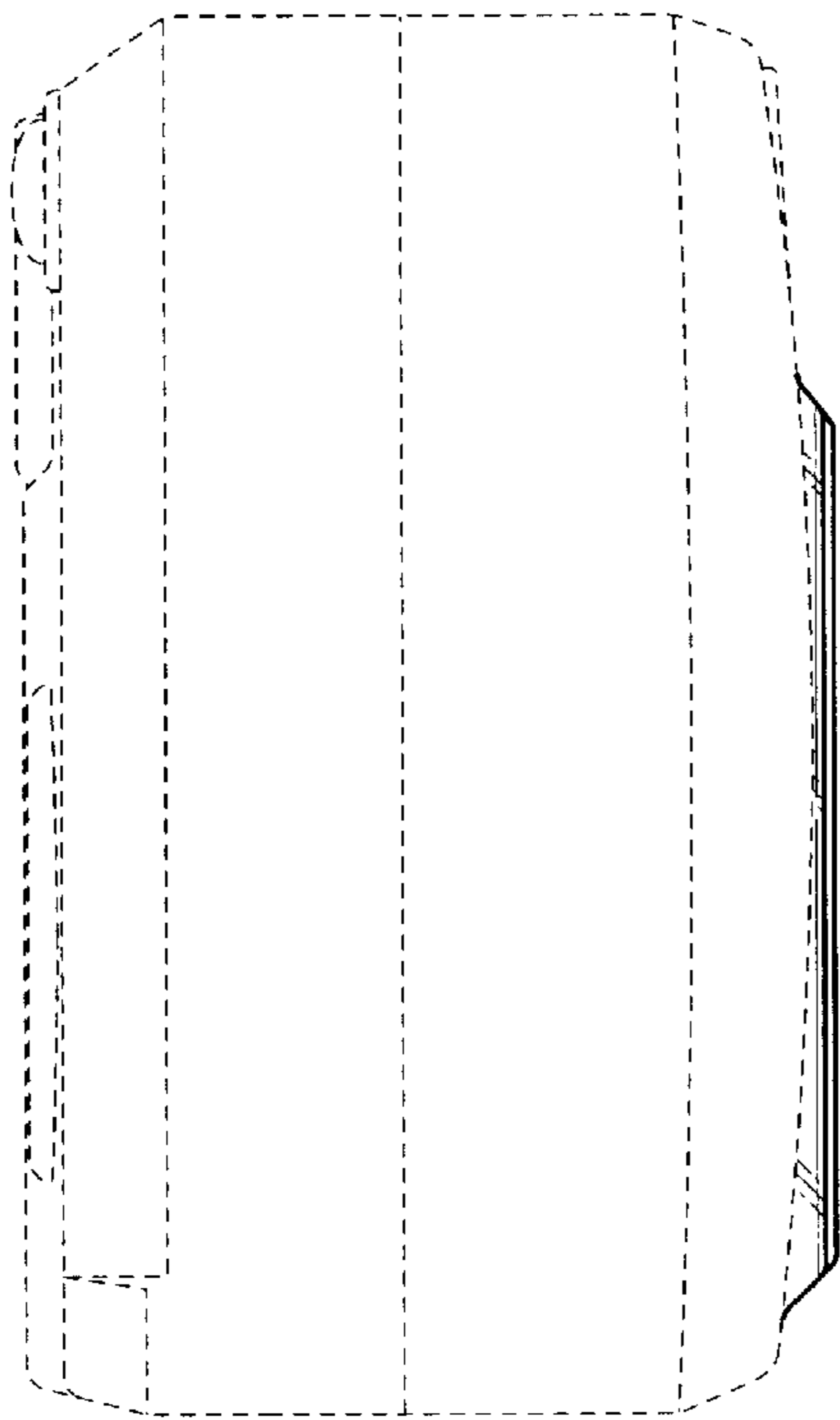


FIG. 5

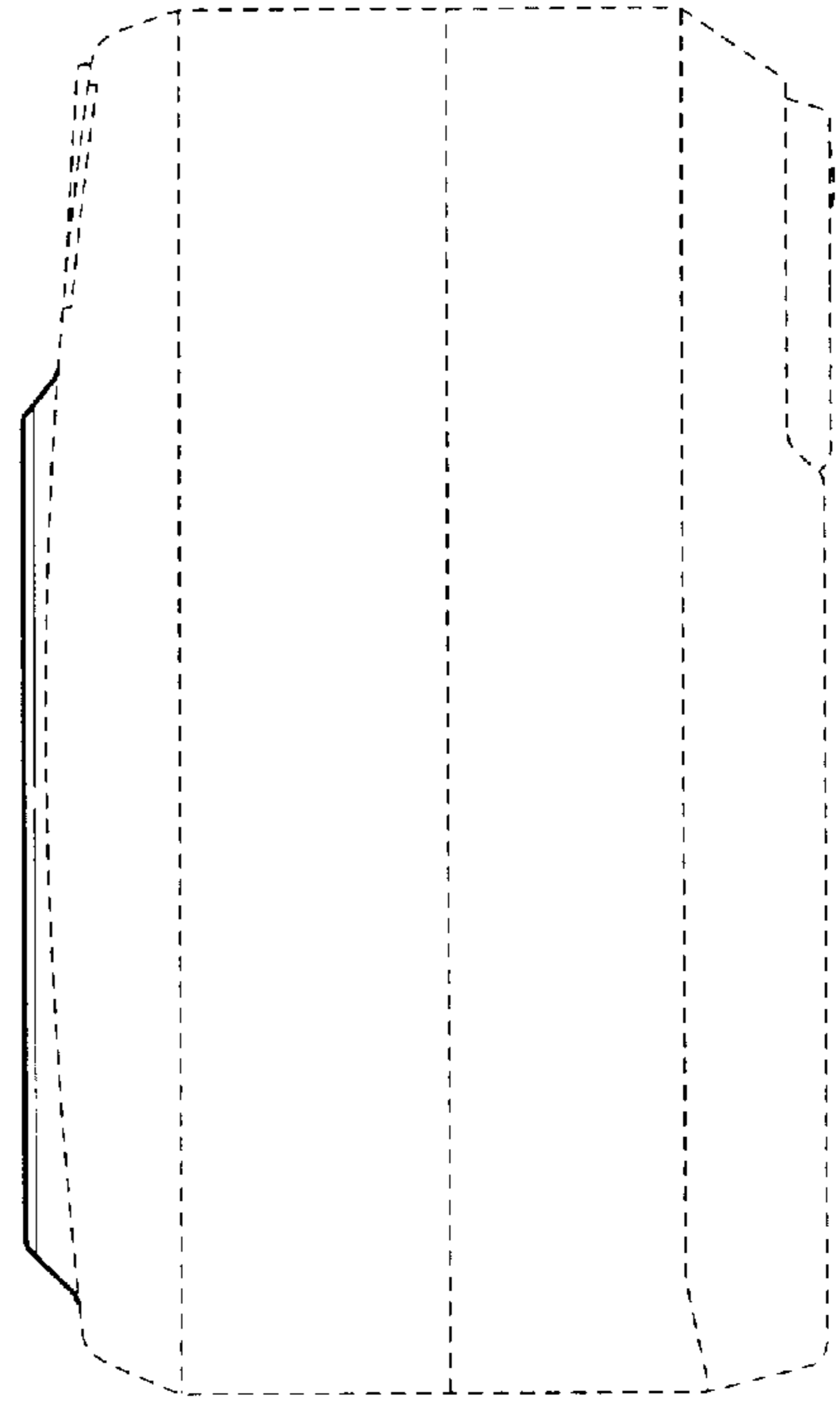


FIG. 6

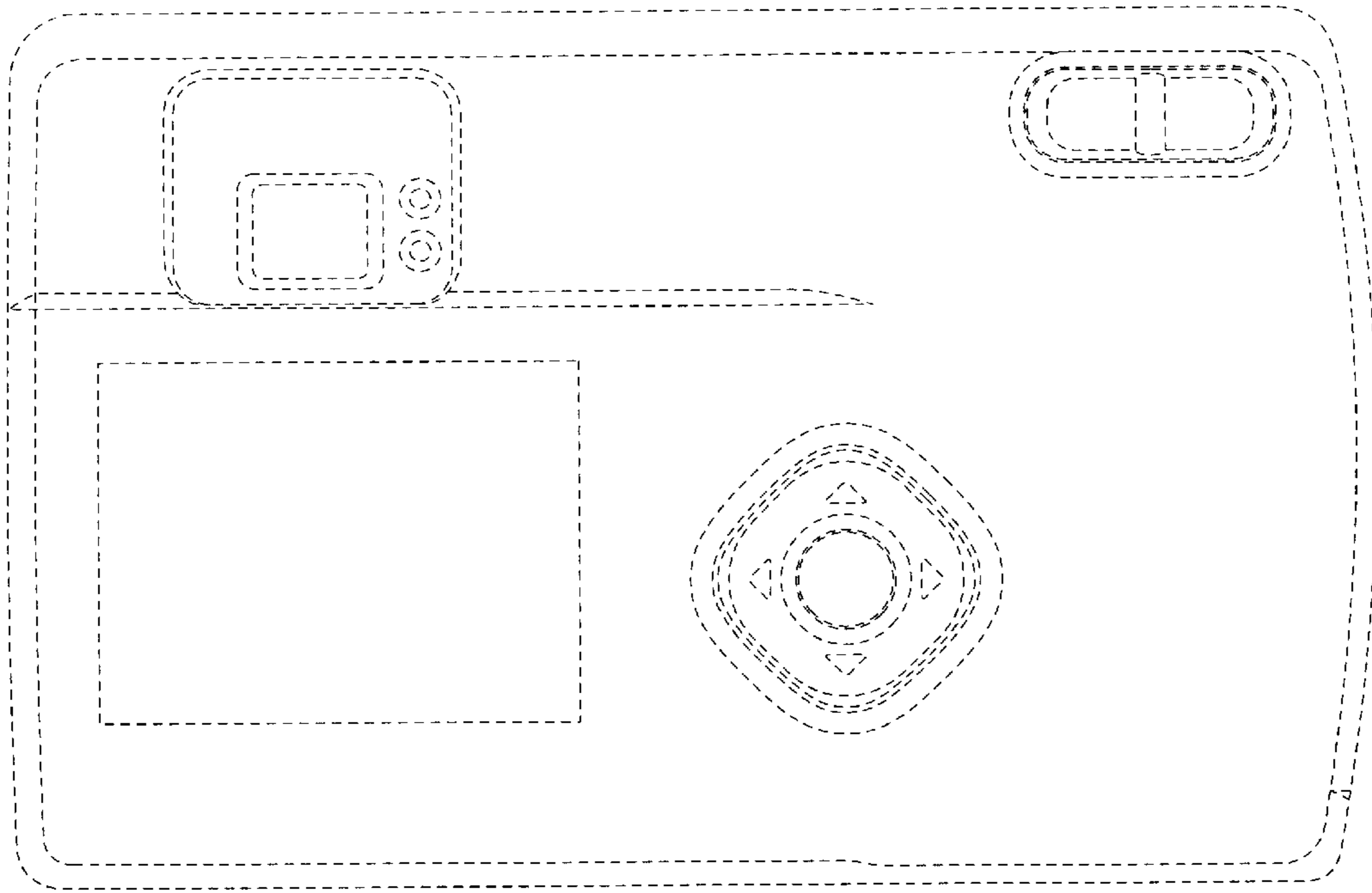


FIG. 7

