



US00D478108S

(12) **United States Design Patent**
Miyazaki

(10) **Patent No.:** **US D478,108 S**

(45) **Date of Patent:** **** Aug. 5, 2003**

(54) **COMBINED VIDEO CAMERA AND RECORDER**

(75) Inventor: **Tetsuro Miyazaki**, Tokyo (JP)

(73) Assignee: **Sony Corporation**, Tokyo (JP)

(**) Term: **14 Years**

(21) Appl. No.: **29/166,703**

(22) Filed: **Sep. 4, 2002**

(51) **LOC (7) Cl.** **16-01**

(52) **U.S. Cl.** **D16/202; D16/203**

(58) **Field of Search** **D16/200-205, D16/208, 218; 348/14.01-14.16, 373-376; 396/419, 427, 535-541**

(56) **References Cited**

U.S. PATENT DOCUMENTS

D386,505 S	*	11/1997	Maeyama	D16/202
D426,249 S	*	6/2000	Tsujimoto	D16/202
D432,151 S	*	10/2000	Kawashima	D16/202
D438,223 S	*	2/2001	Kawashima	D16/202
D441,000 S	*	4/2001	Vanderwilt et al.	D16/202
D458,289 S		6/2002	Ogura	D16/202
D458,621 S	*	6/2002	Kawashima	D16/202
2002/0085844 A1	*	7/2002	Tashiro	396/427

FOREIGN PATENT DOCUMENTS

JP 979353 * 4/1997

OTHER PUBLICATIONS

Web page "Pan/Tilt/Zoom Color Video Camera," <http://bpgprod.sel.sony.com/bpcnav/app/99999/2/22/63134.99999.product.BPC.html>, 1 sheet, Sony (Feb. 2002).

Web page "Communication Camera VC-C4/VC/C4R," <http://canon-sales.co.jp/Product/vsl-com/gazo/vc-c4.html>, 1 sheet, Canon (Feb. 2002).

* cited by examiner

Primary Examiner—Adir Aronovich

(74) *Attorney, Agent, or Firm*—Rader, Fishman & Grauer PLLC

(57) **CLAIM**

The ornamental design for a combined video camera and recorder, as shown.

DESCRIPTION

FIG. 1 is a bottom perspective view of a combined video camera and recorder showing my new design; FIG. 2 is a top perspective view thereof; FIG. 3 is a front elevational view thereof; FIG. 4 is a rear elevational view thereof; FIG. 5 is a left side elevational view thereof; FIG. 6 is a right side elevational view thereof; FIG. 7 is a top plan view thereof; and FIG. 8 is a bottom plan view thereof.

1 Claim, 5 Drawing Sheets

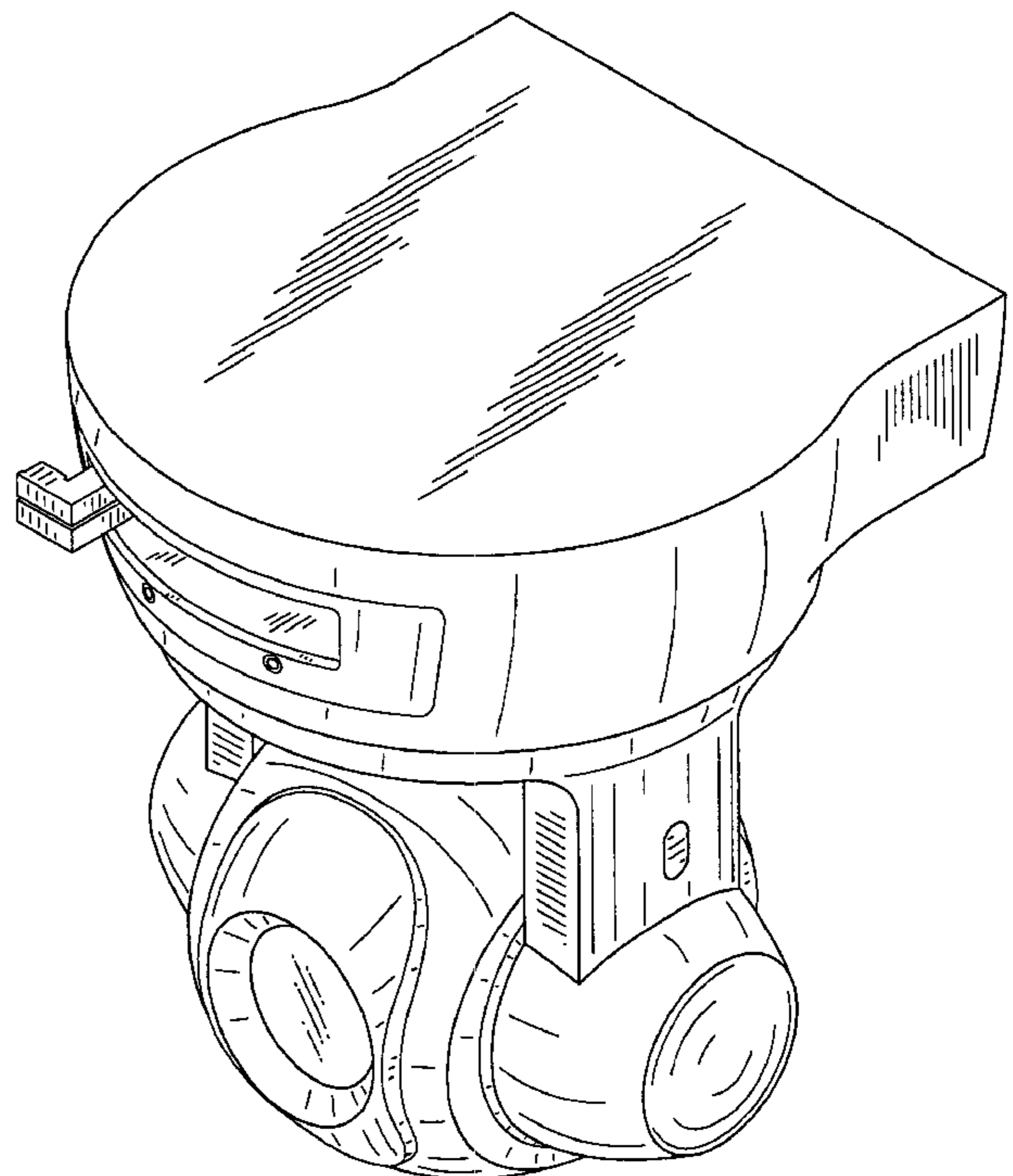
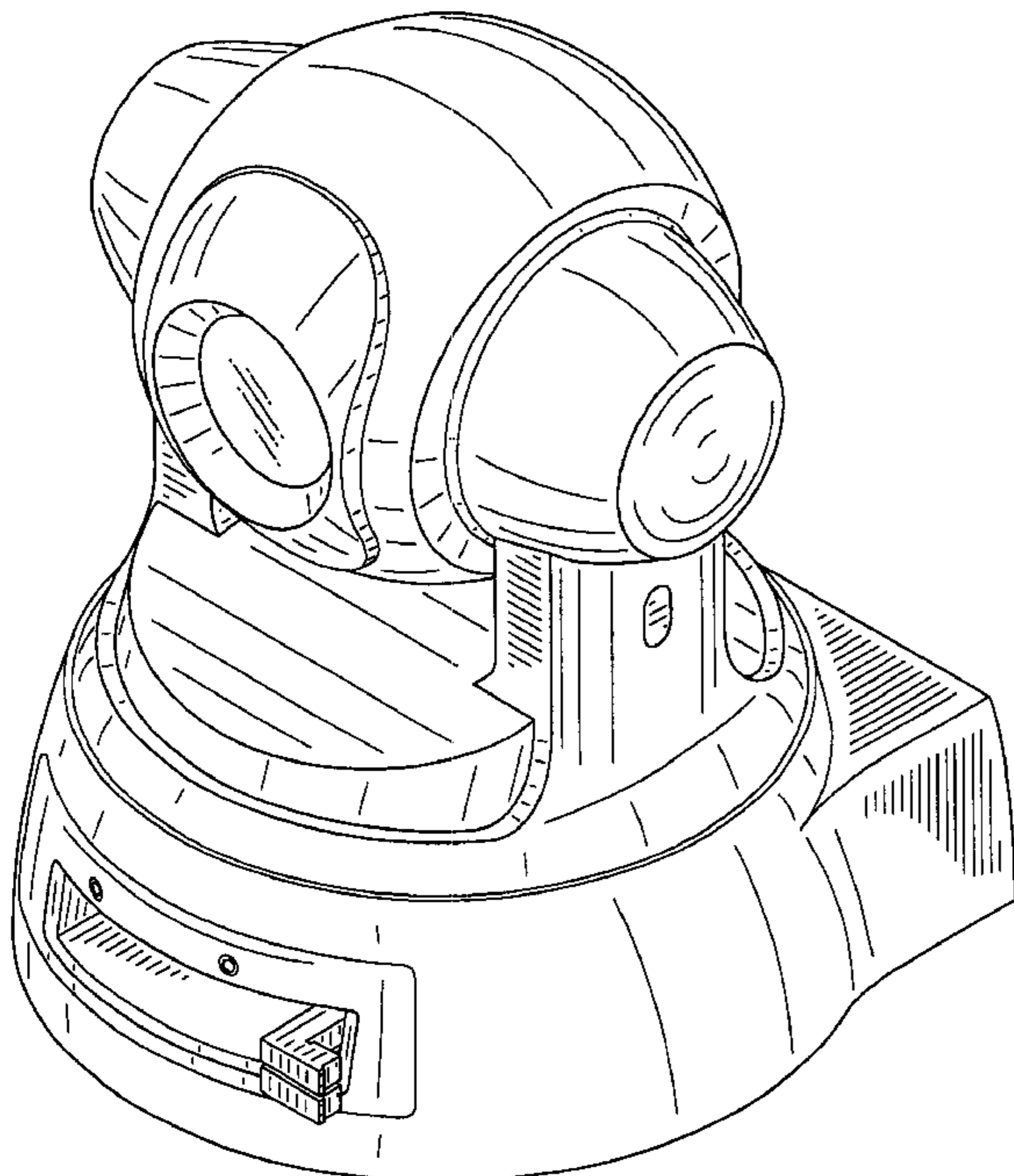


FIG. 1

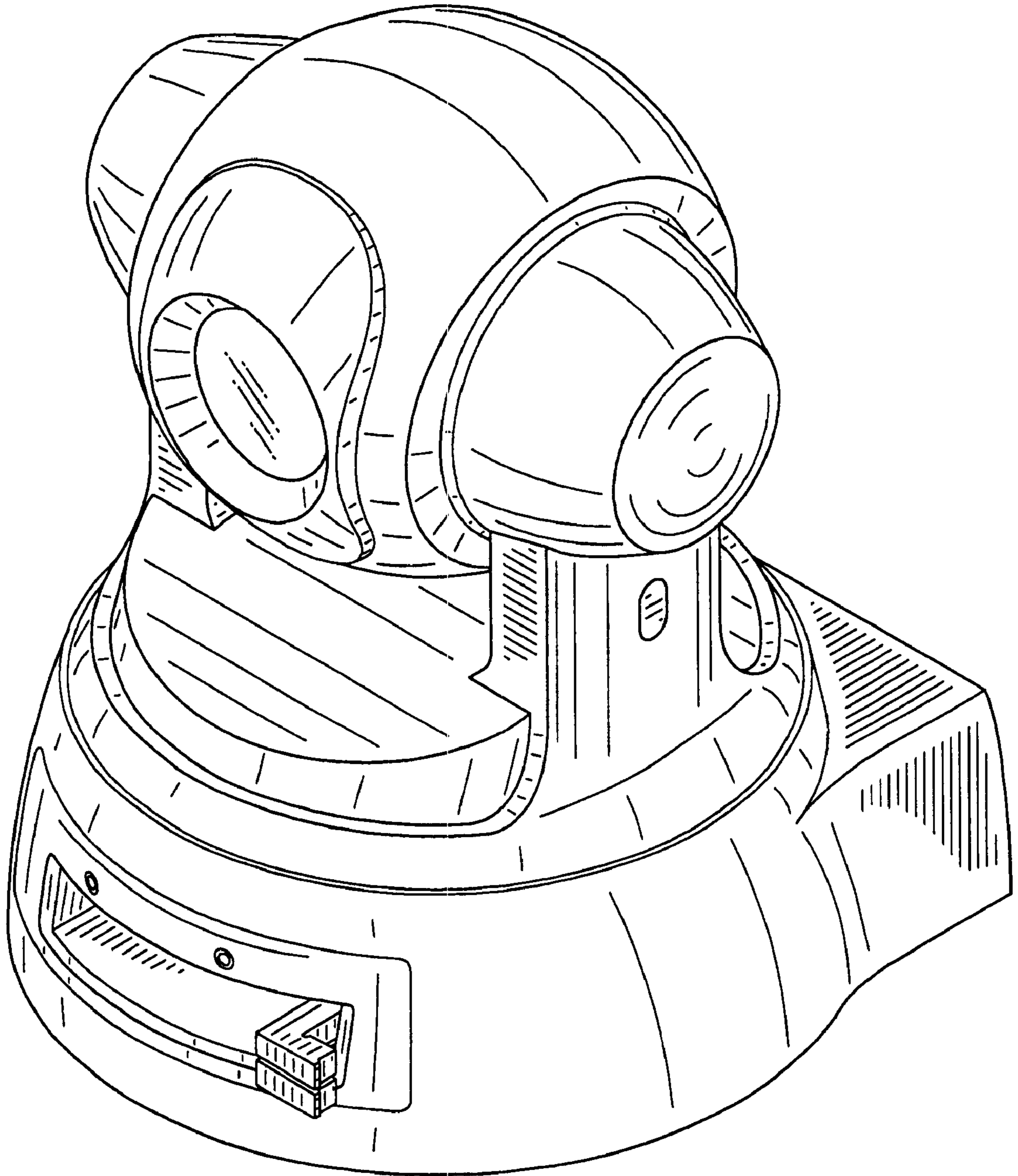


FIG. 2

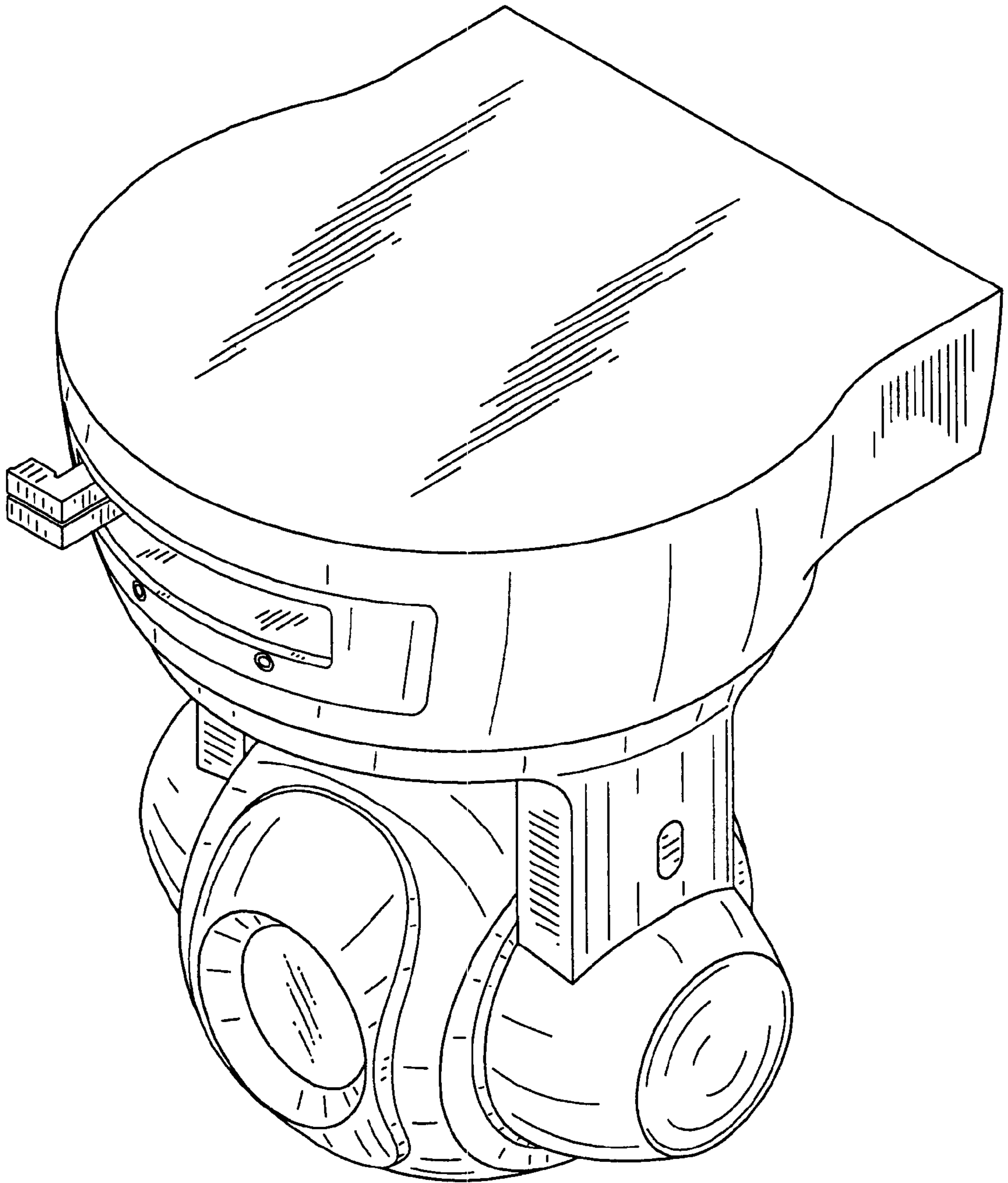


FIG. 3

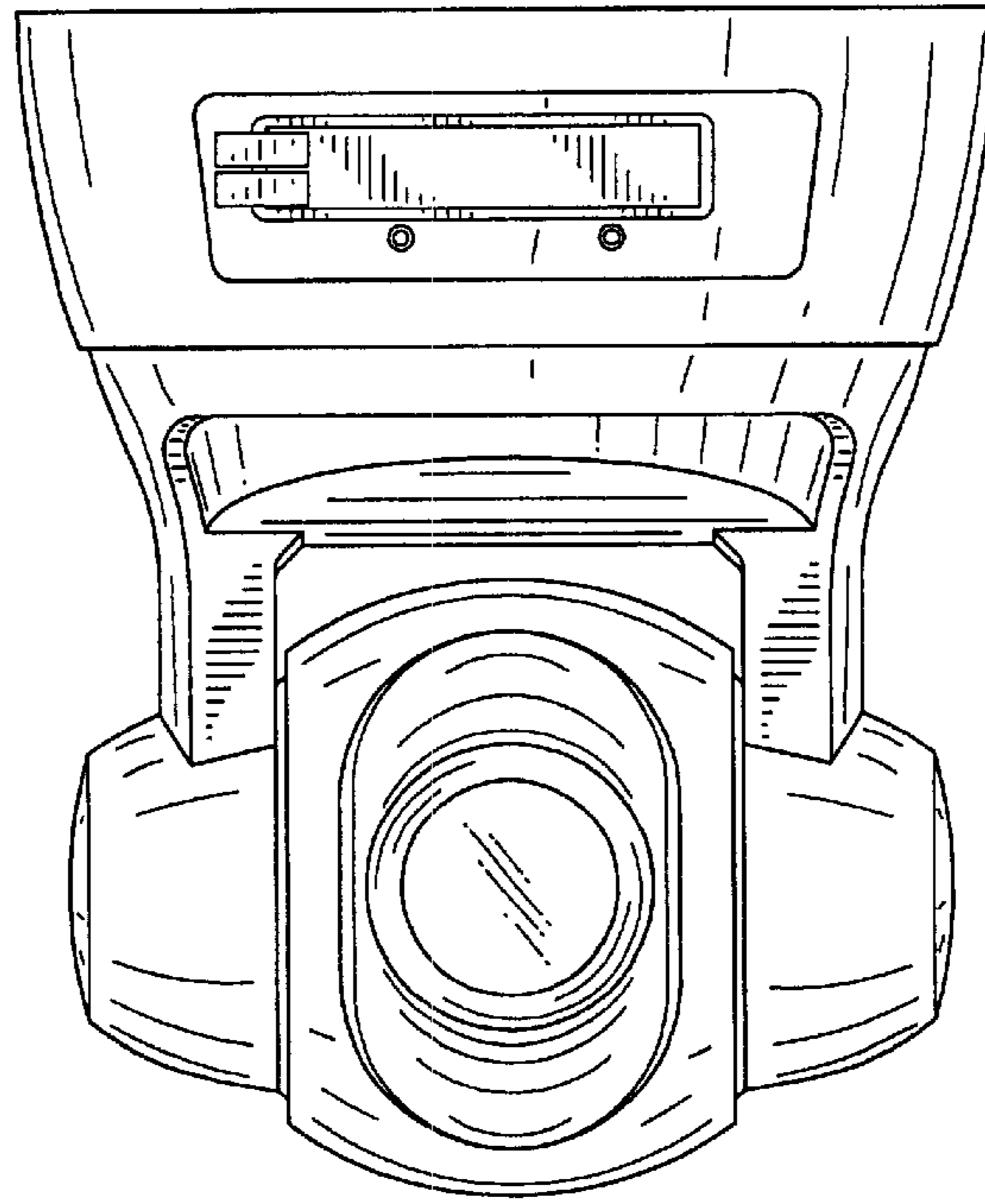


FIG. 4

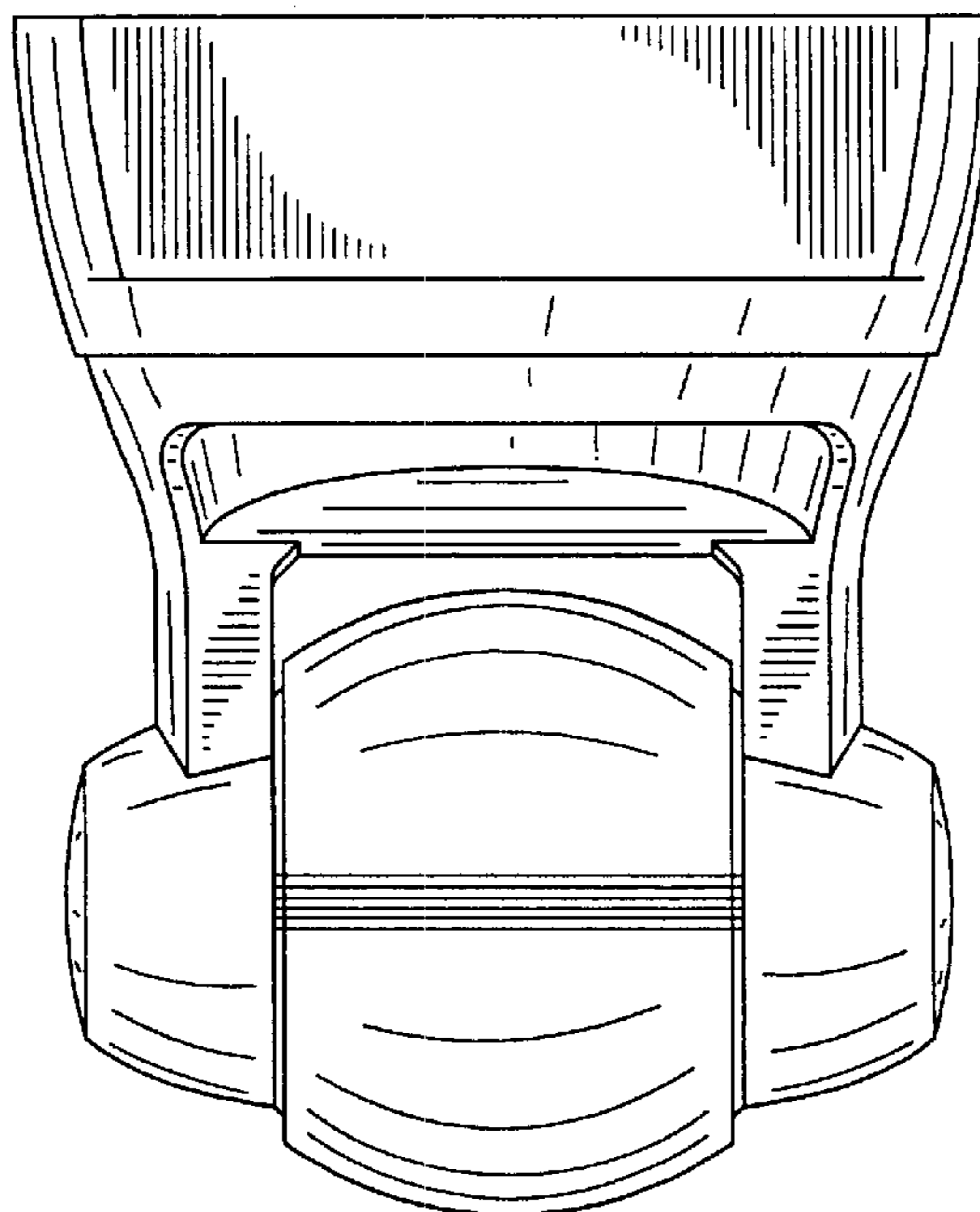


FIG. 5

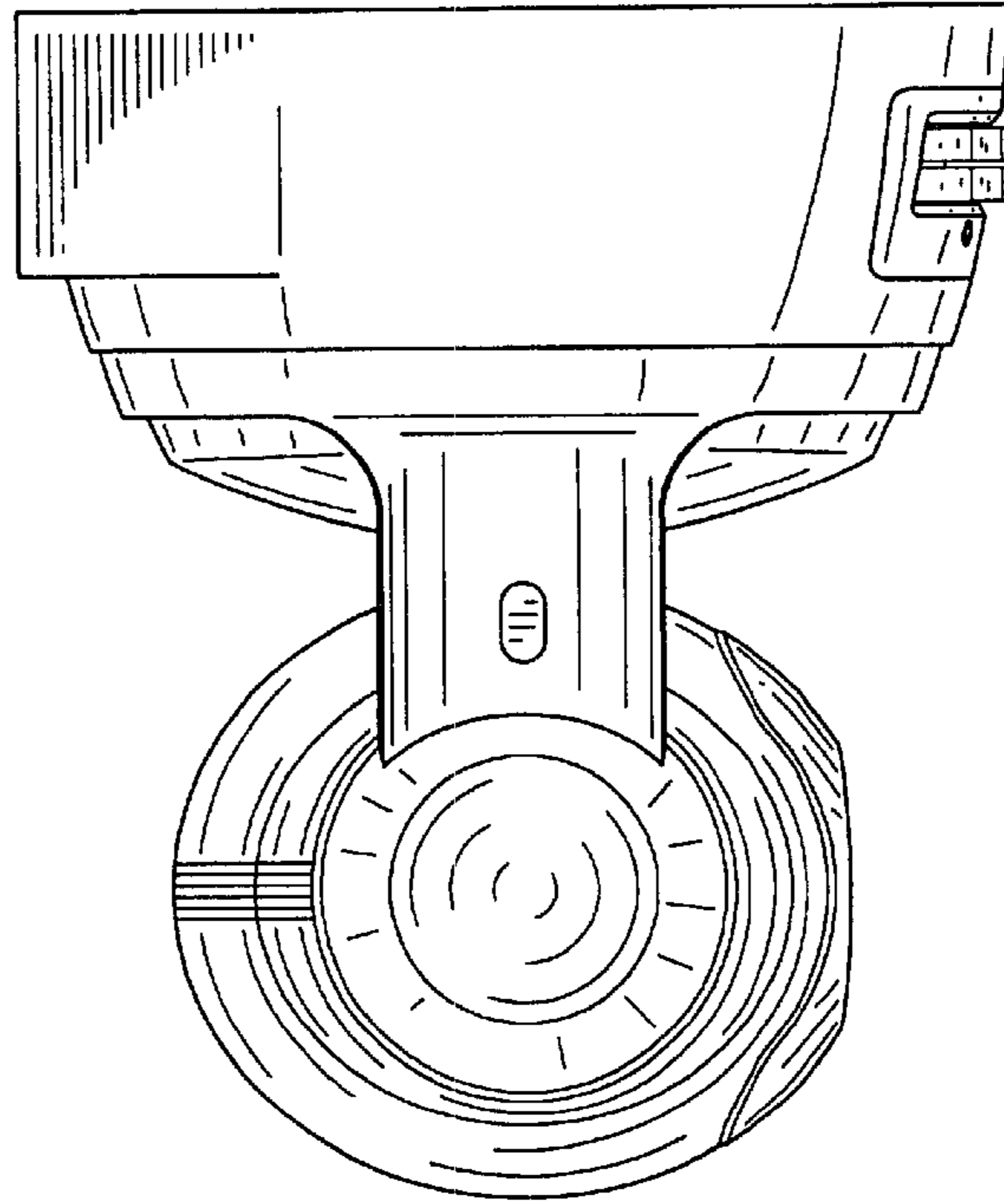


FIG. 6

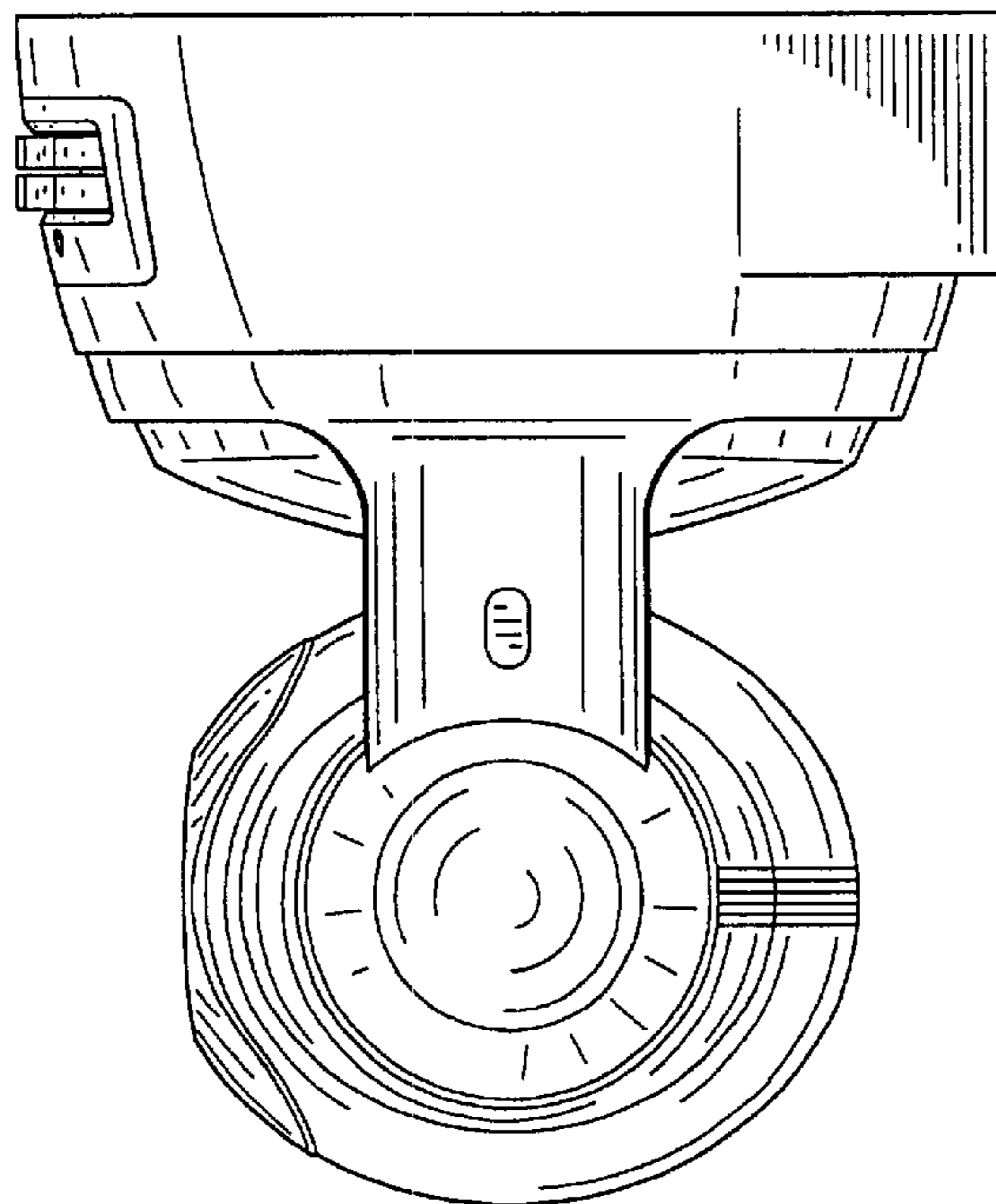


FIG. 7

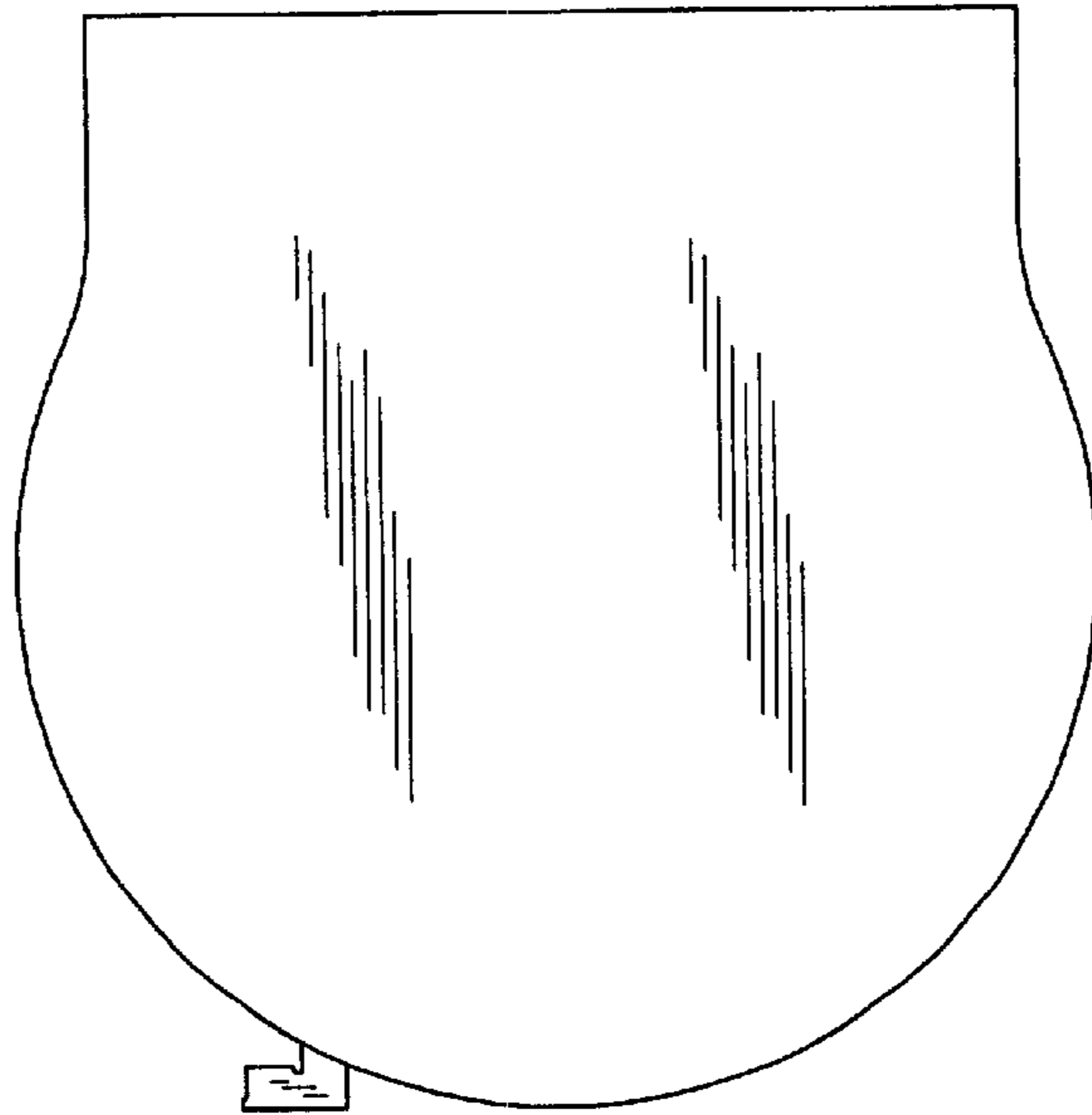


FIG. 8

