



US00D478107S

(12) **United States Design Patent**
Few

(10) **Patent No.:** **US D478,107 S**

(45) **Date of Patent:** **** Aug. 5, 2003**

(54) **AUTOMOTIVE FLUID SERVICING CABINET**

6,523,580 B1 * 2/2003 Awad 184/1.5

(75) Inventor: **Jeffrey P. Few**, Elkhart, IN (US)

* cited by examiner

(73) Assignee: **Norco Industries, Inc.**, Norco, CA (US)

Primary Examiner—Antoine Duval Davis

(74) *Attorney, Agent, or Firm*—Fulwider Patton Lee & Utecht, LLP

(**) Term: **14 Years**

(57) **CLAIM**

(21) Appl. No.: **29/166,402**

The ornamental design for an automotive fluid servicing cabinet, as shown and described.

(22) Filed: **Aug. 27, 2002**

DESCRIPTION

(51) **LOC (7) Cl.** **15-09**

(52) **U.S. Cl.** **D15/151**

(58) **Field of Search** D15/150-152;
D34/12; 141/65, 67, 59, 94, 95, 98; 184/1.5;
210/86, 94

FIG. 1 is a forward left perspective view illustrating my new design;

FIG. 2 is a front view, in enlarged scale, thereof;

FIG. 3 is a left hand end view, in enlarged scale, thereof;

FIG. 4 is a top view, in enlarged scale, thereof;

FIG. 5 is a right hand end view, in enlarged scale, thereof;

FIG. 6 is a rear view, in enlarged scale, thereof; and,

FIG. 7 is a bottom view, in enlarged scale, thereof.

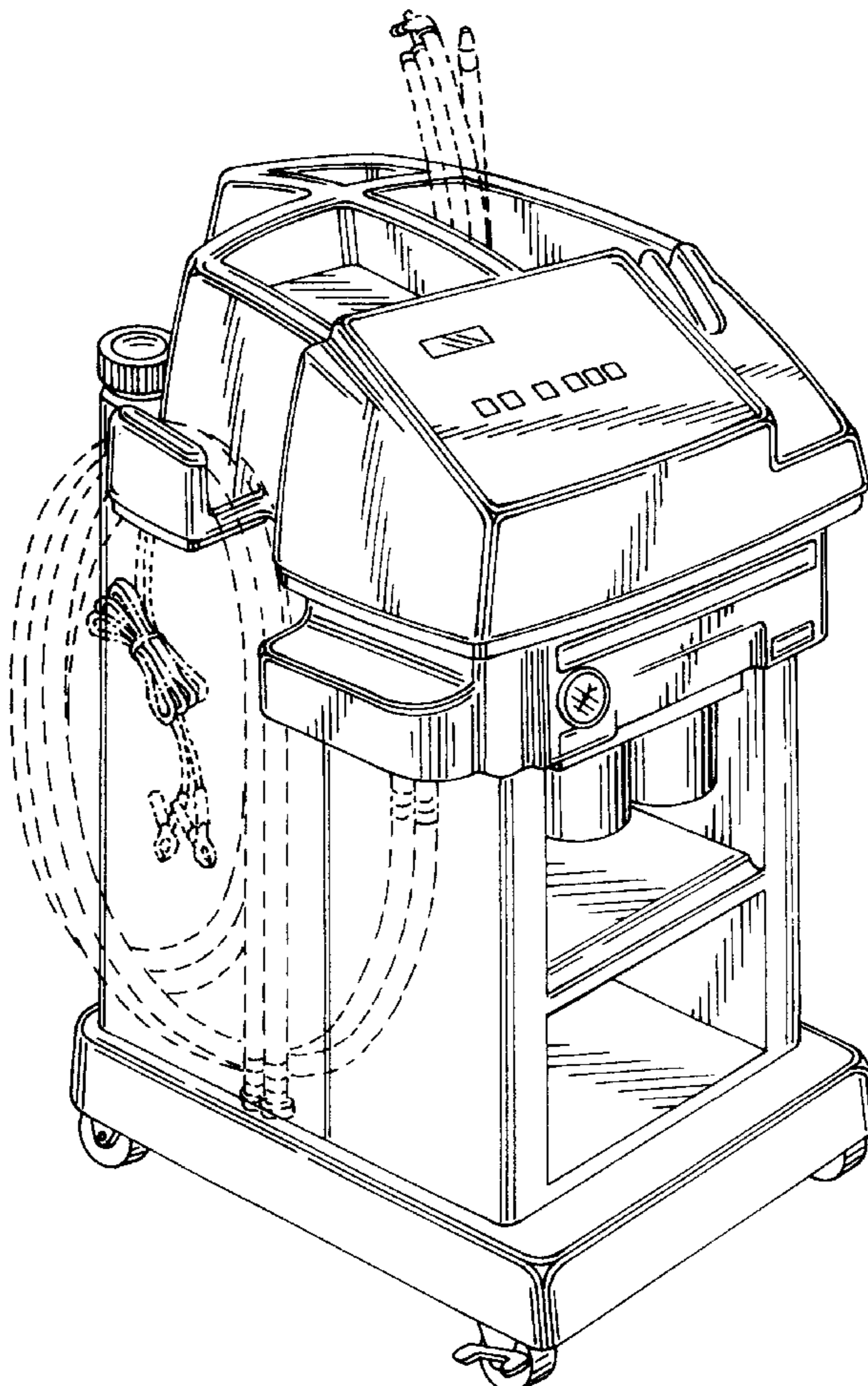
The broken line disclosure in FIG. 1 is for illustrative purposes only and forms no part of the claimed design.

(56) **References Cited**

U.S. PATENT DOCUMENTS

- D365,583 S * 12/1995 Viken D15/151
- D368,726 S * 4/1996 Few D15/151
- D417,879 S * 12/1999 Few D15/151
- 6,022,473 A * 2/2000 Mickelson 210/86

1 Claim, 3 Drawing Sheets



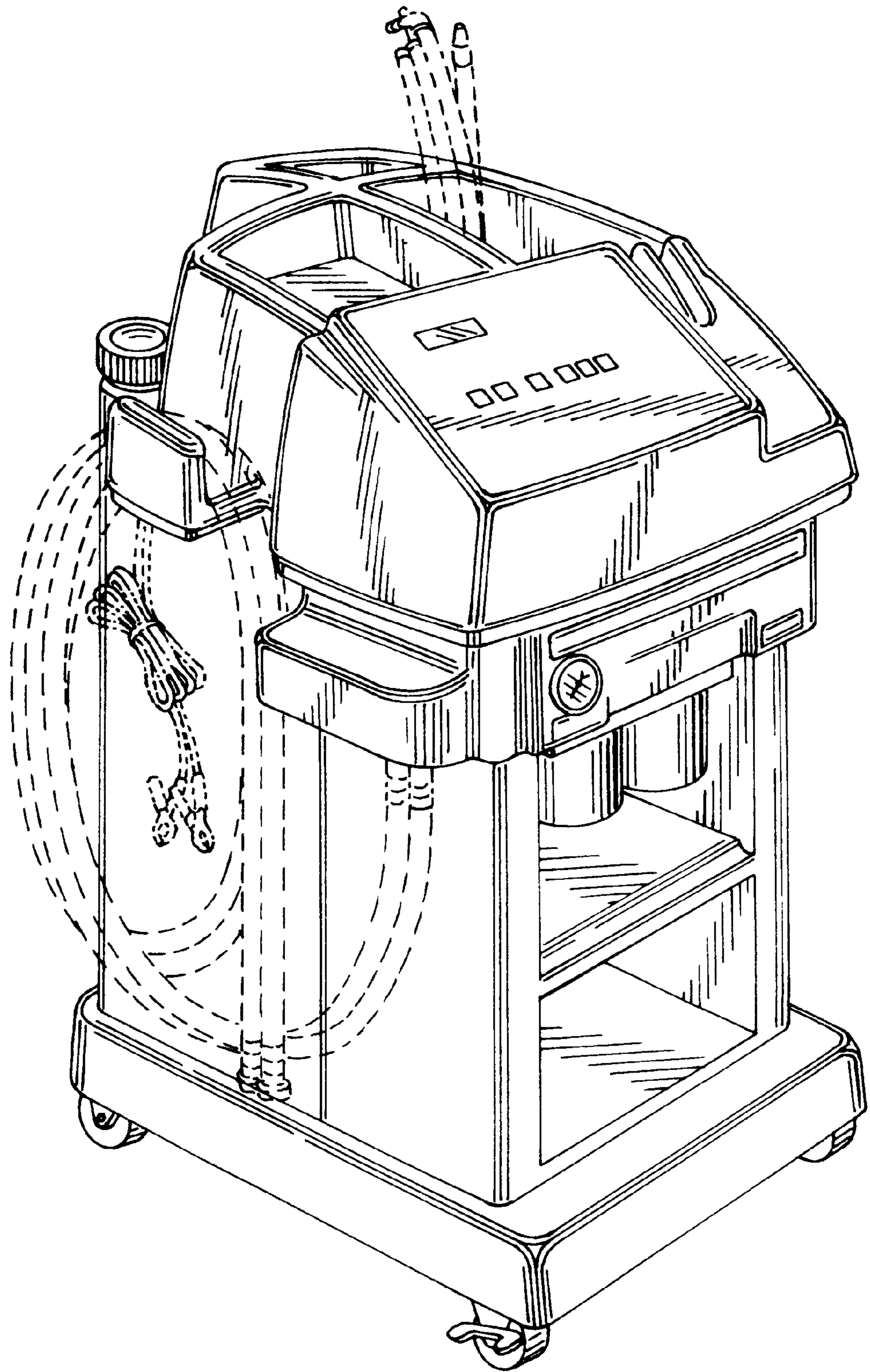


FIG. 1

FIG. 2

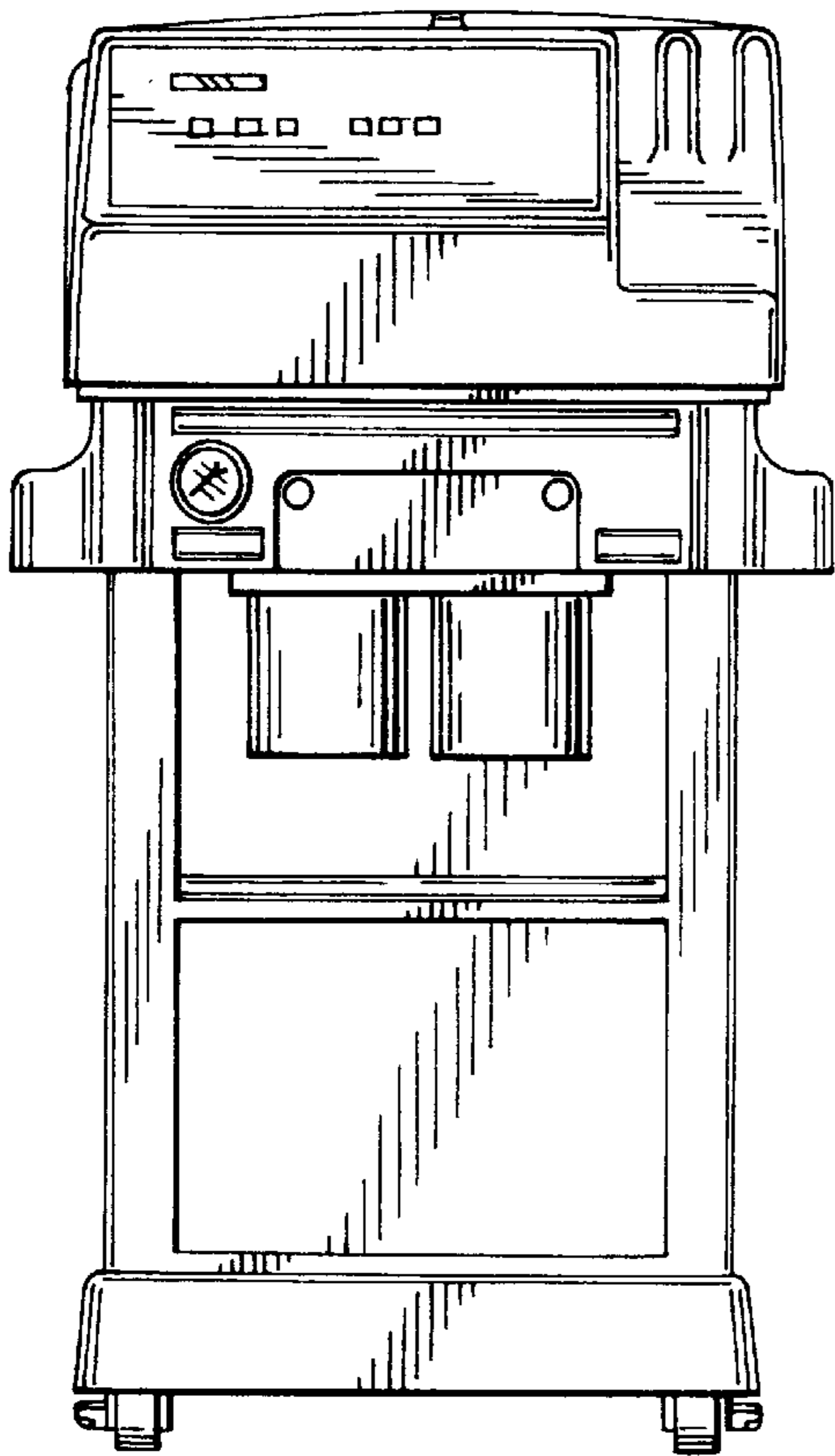


FIG. 3

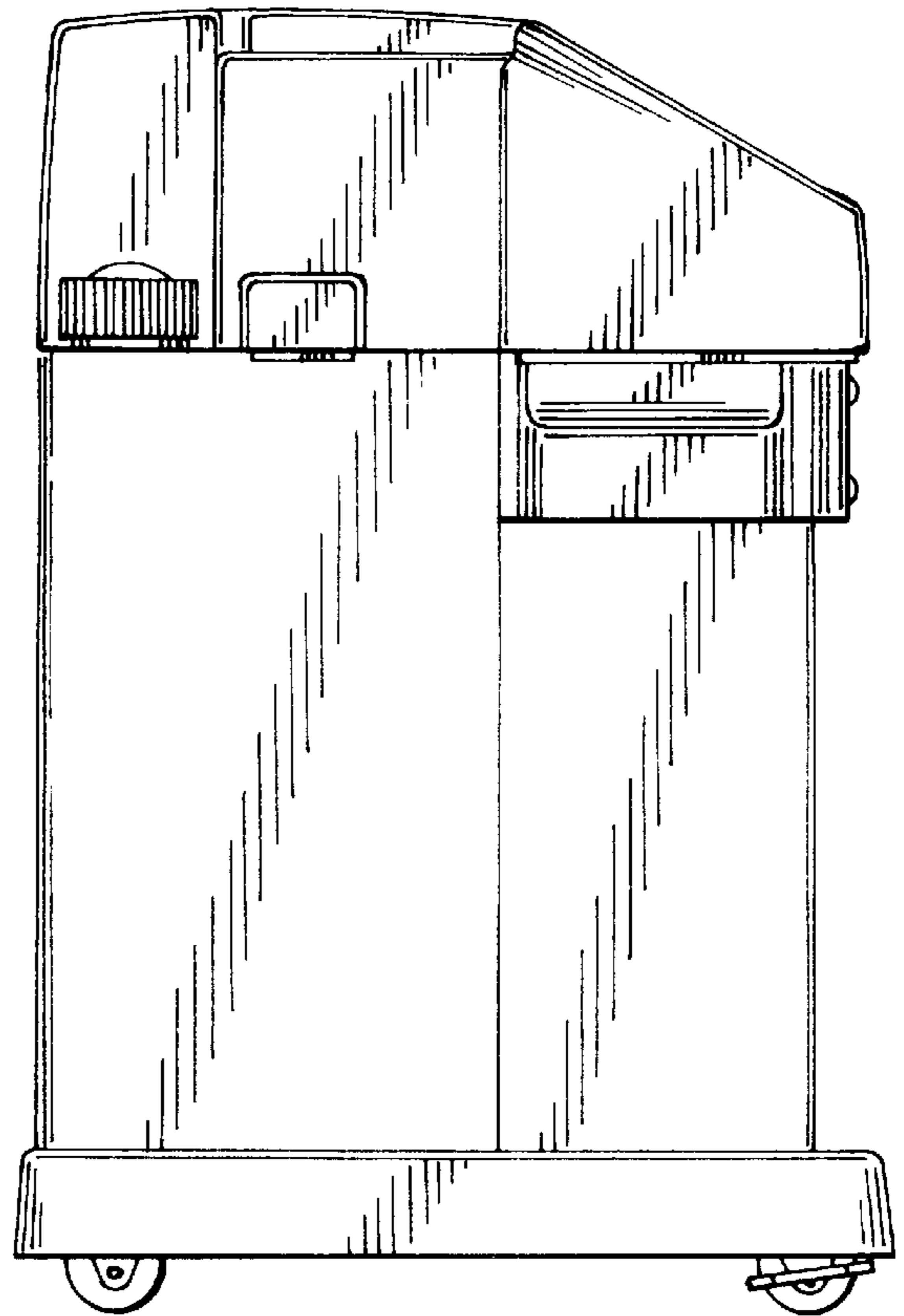


FIG. 4

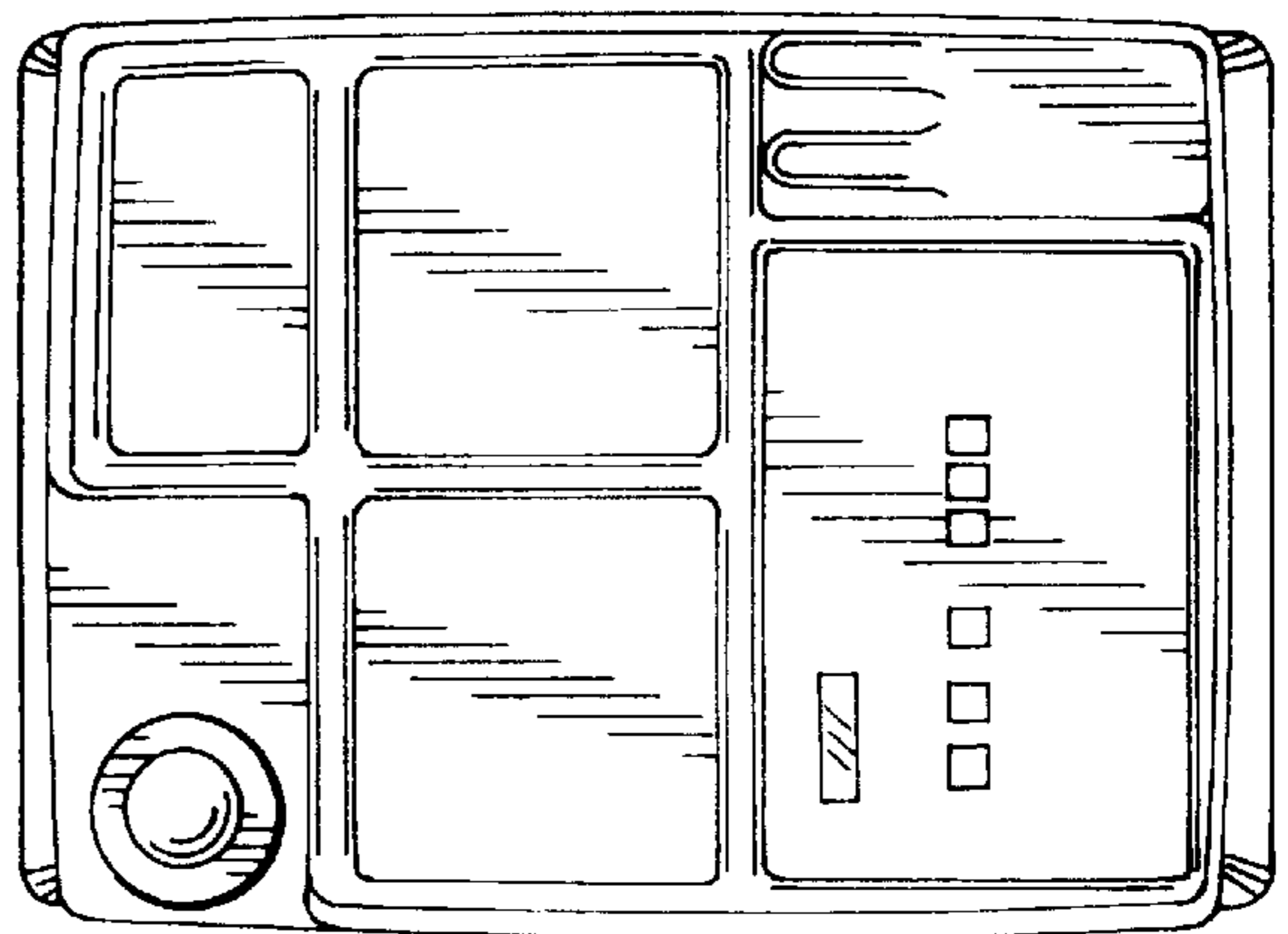


FIG. 5

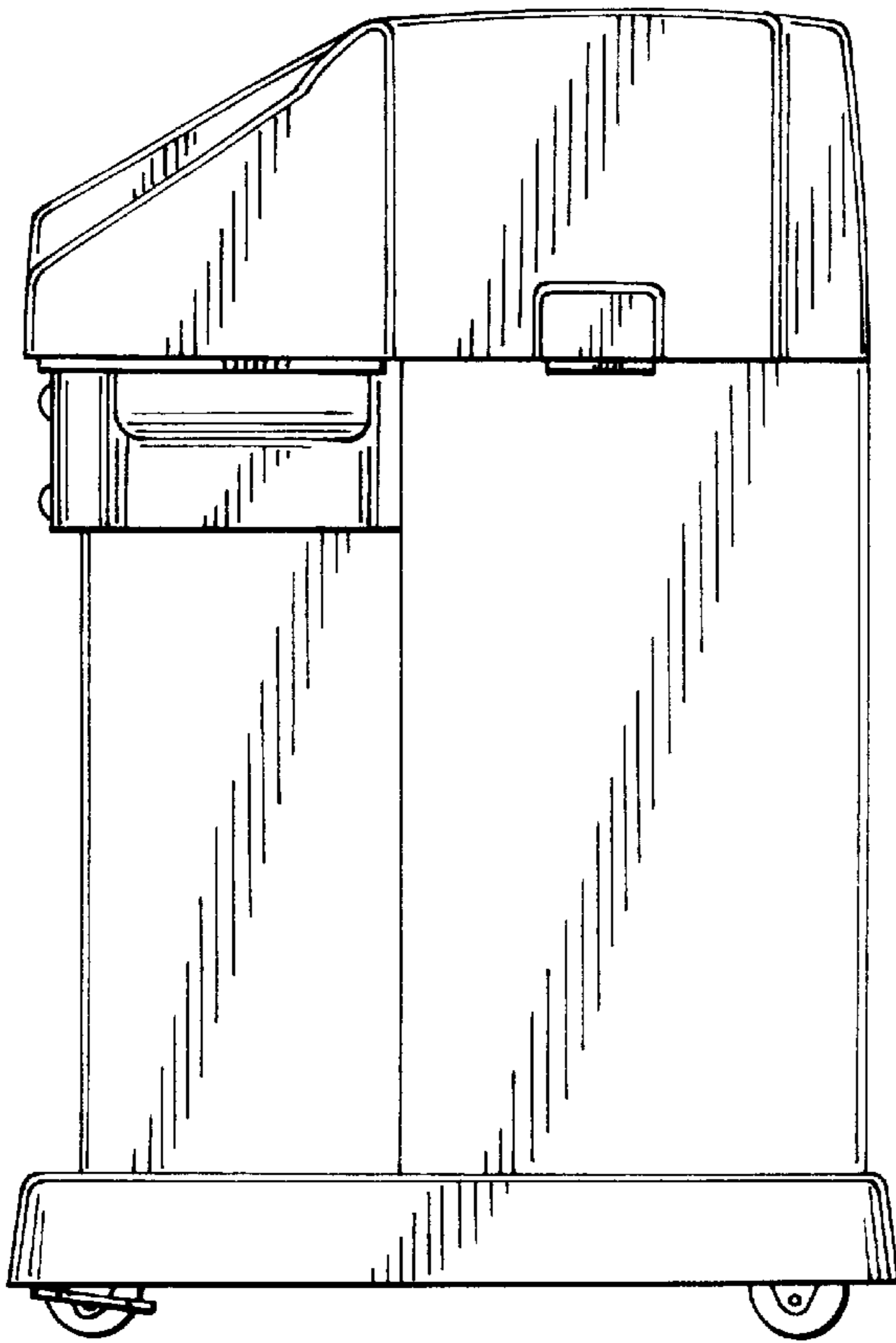


FIG. 6

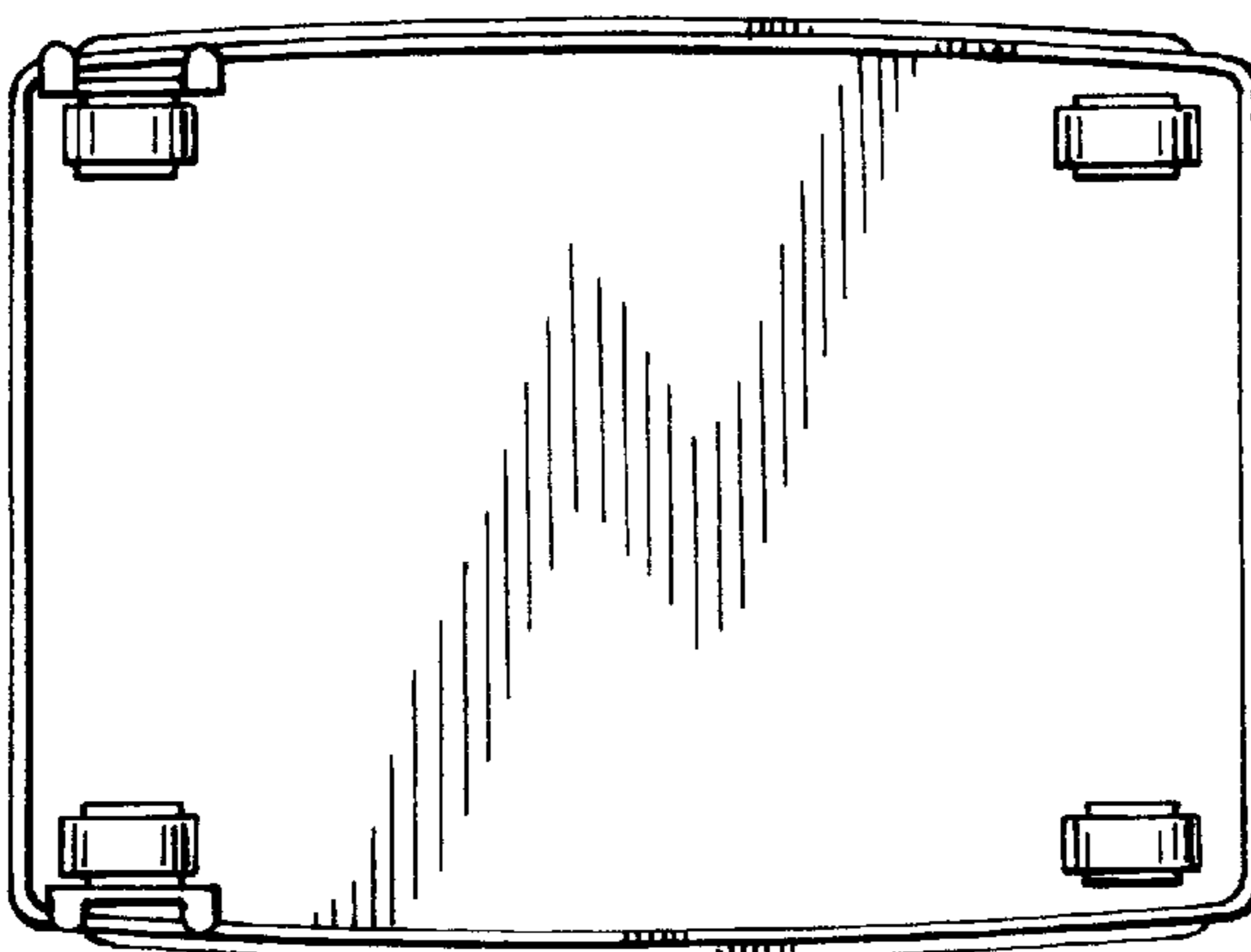
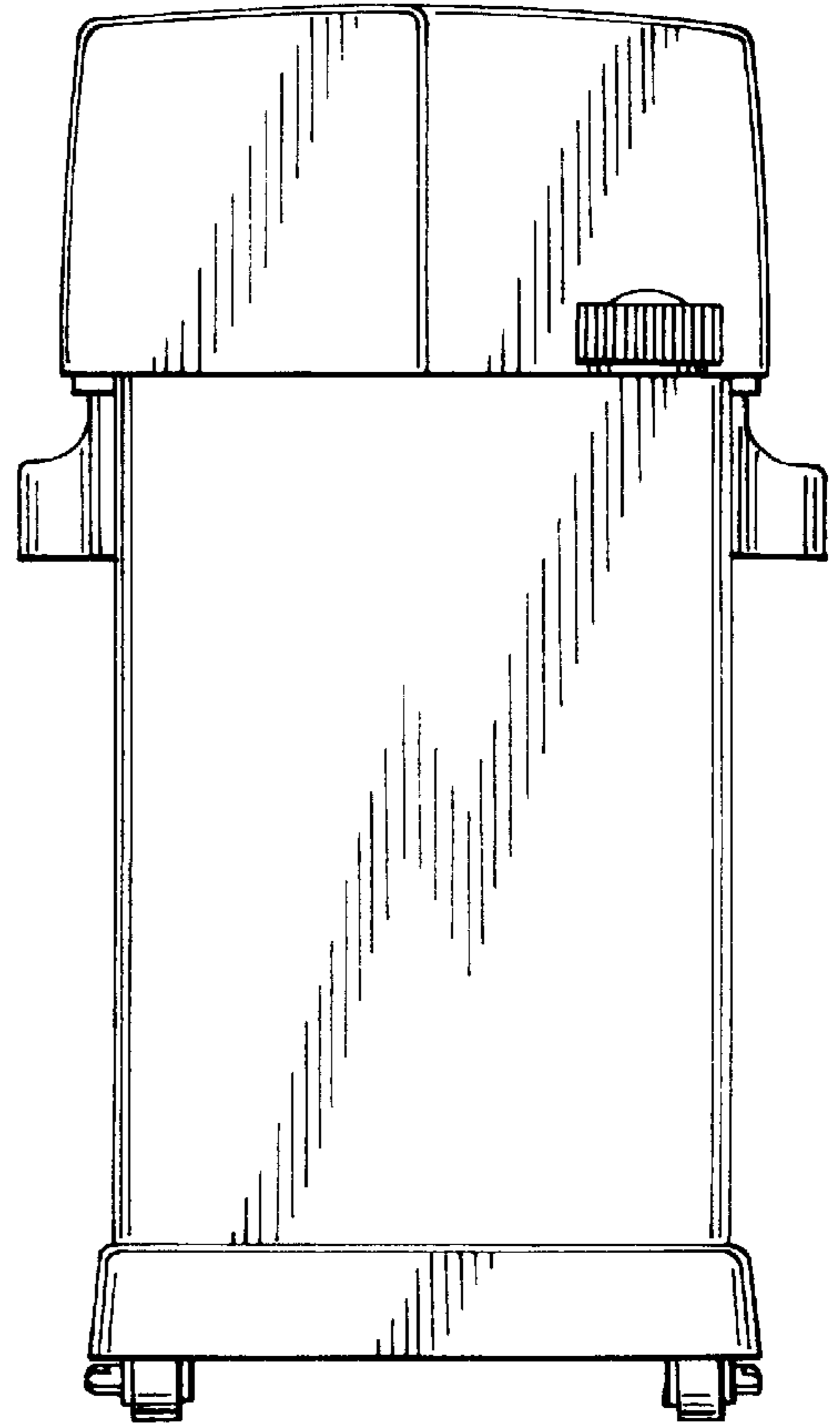


FIG. 7