



US00D478104S

(12) **United States Design Patent**
Jung et al.

(10) **Patent No.:** **US D478,104 S**

(45) **Date of Patent:** **** Aug. 5, 2003**

(54) **CUTTING WHEEL**

5,428,898 A * 7/1995 Hawkins 30/295
5,836,229 A * 11/1998 Wakayama et al. 83/886

(76) Inventors: **Chang Bong Jung**, C-3508 Dongil
Techno Town #889-1, Kwanyang-dong,
Dongan-ku, Anyang-city, Kyungki-do
(KR), 431-060; **Arai Asako**, 2-3-7
Suminoe, Suminoe-ku, Osaka (JP)

* cited by examiner

(**) Term: **14 Years**

Primary Examiner—Antoine Duval Davis
(74) *Attorney, Agent, or Firm*—Pennie & Edmonds LLP

(21) Appl. No.: **29/150,786**

(22) Filed: **Nov. 30, 2001**

(51) **LOC (7) Cl.** **15-09**

(52) **U.S. Cl.** **D15/139**

(58) **Field of Search** D15/139; 30/161,
30/165, 166, 166.5, 332, 396, 319, 355,
295; 83/355, 698.41, 886, 676; 403/298,
348; 451/358, 540-546; 125/3, 12, 15,
13.01, 13.02

(57) **CLAIM**

The ornamental design for a cutting wheel, as shown and described.

DESCRIPTION

FIG. 1 is a perspective view of the cutting wheel according to the invention;

FIG. 2 is a front view thereof; and,

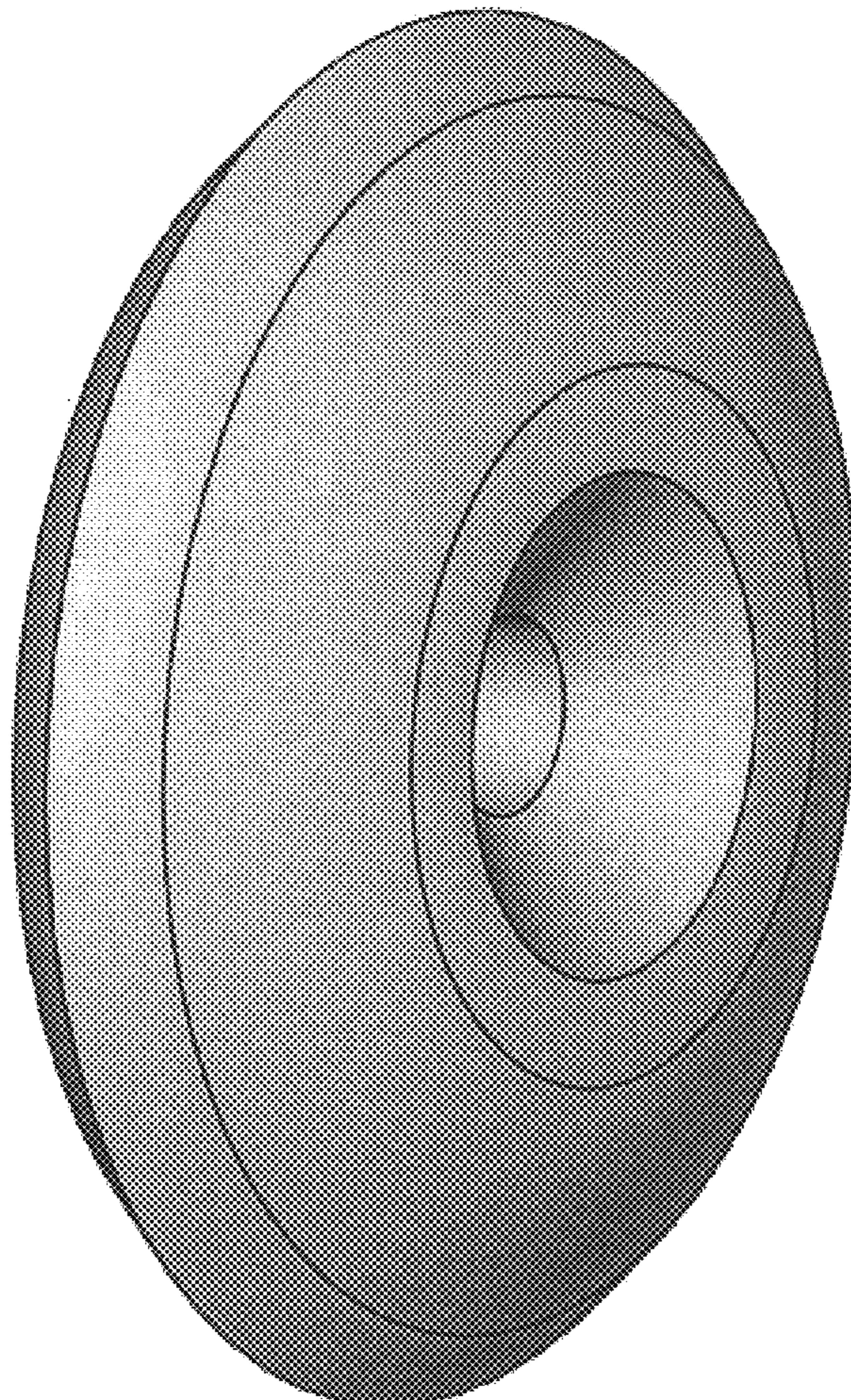
FIG. 3 is a side view thereof.

(56) **References Cited**

U.S. PATENT DOCUMENTS

3,886,925 A * 6/1975 Regan 125/15

1 Claim, 3 Drawing Sheets



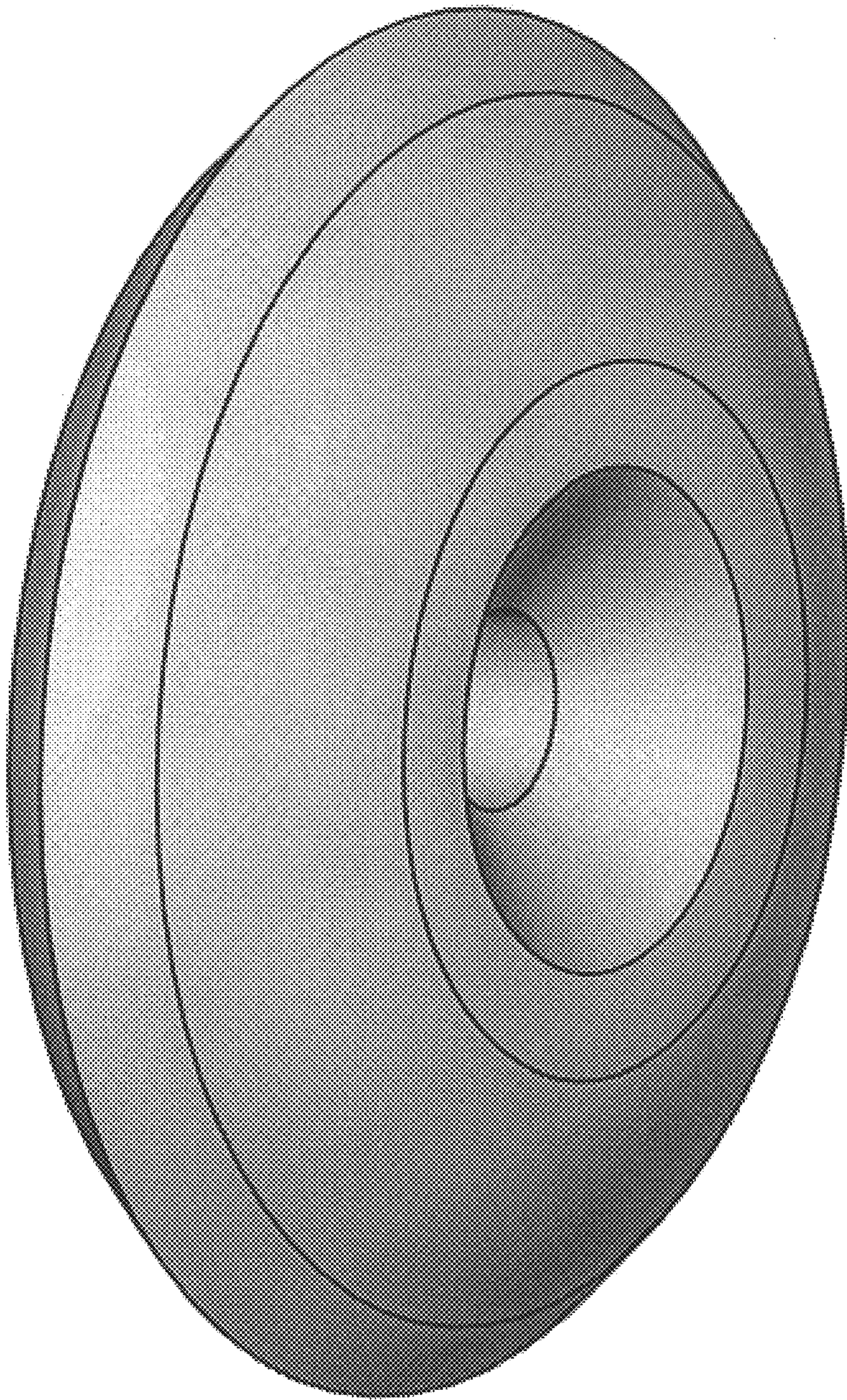


Fig. 1

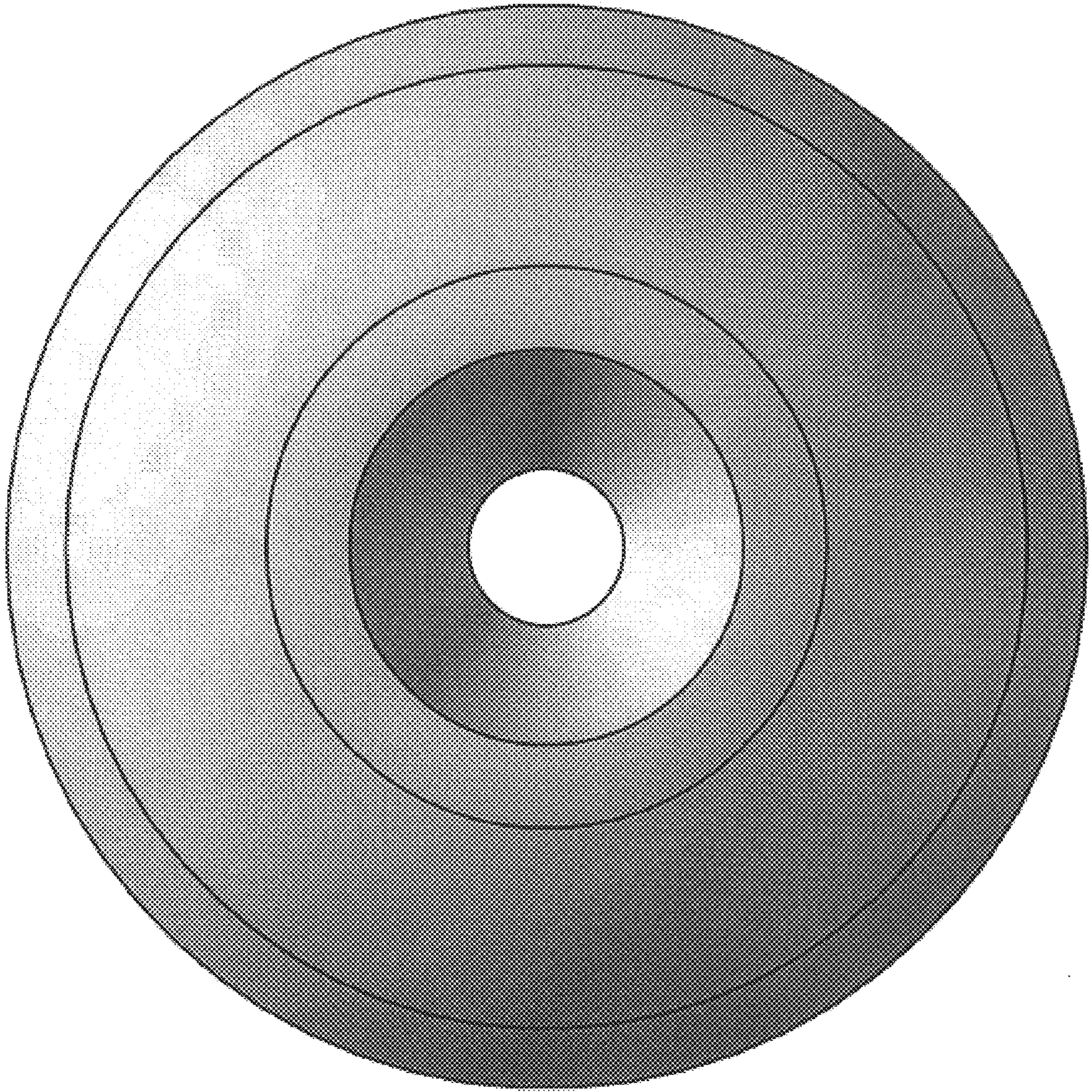


Fig. 2

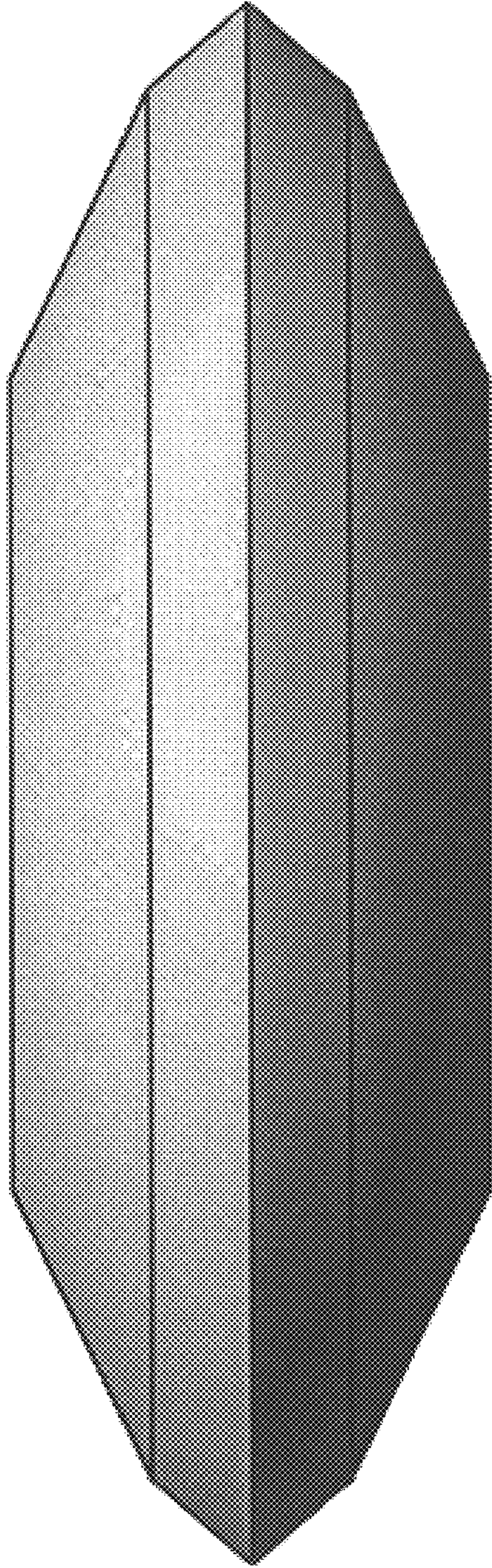


Fig. 3