



US00D478103S

(12) **United States Design Patent**
Kani et al.

(10) **Patent No.:** **US D478,103 S**

(45) **Date of Patent:** **** Aug. 5, 2003**

(54) **MITER SAW**

(75) Inventors: **Toshiyuki Kani, Anjo (JP); Naohiro Hayakawa, Anjo (JP)**

(73) Assignee: **Makita Corporation, Aichi-ken (JP)**

(**) Term: **14 Years**

(21) Appl. No.: **29/167,712**

(22) Filed: **Sep. 20, 2002**

(30) **Foreign Application Priority Data**

Mar. 22, 2002 (JP) 2002-011323

(51) **LOC (7) Cl.** **15-09**

(52) **U.S. Cl.** **D15/133**

(58) **Field of Search** D15/133; 83/468.5,
83/438, 468.3, 162, 471.1-471.3, 477, 581;
30/376, 391

(56) **References Cited**

U.S. PATENT DOCUMENTS

- D331,416 S 12/1992 Fushiya et al.
- D333,824 S 3/1993 Suzuki et al.
- D351,393 S 10/1994 Sasaki et al.
- D383,472 S 9/1997 Higuchi et al.

- D383,765 S 9/1997 Kani et al.
- D388,442 S 12/1997 Shibata et al.
- D388,443 S 12/1997 Kondo
- D420,370 S 2/2000 Shibata et al.
- D421,267 S * 2/2000 Price et al. D15/133
- D424,072 S 5/2000 Shibata et al.
- 6,520,059 B1 * 2/2003 Stumpf et al. 83/471.3

* cited by examiner

Primary Examiner—Antoine Duval Davis
(74) *Attorney, Agent, or Firm*—Dennison, Schultz & Dougherty

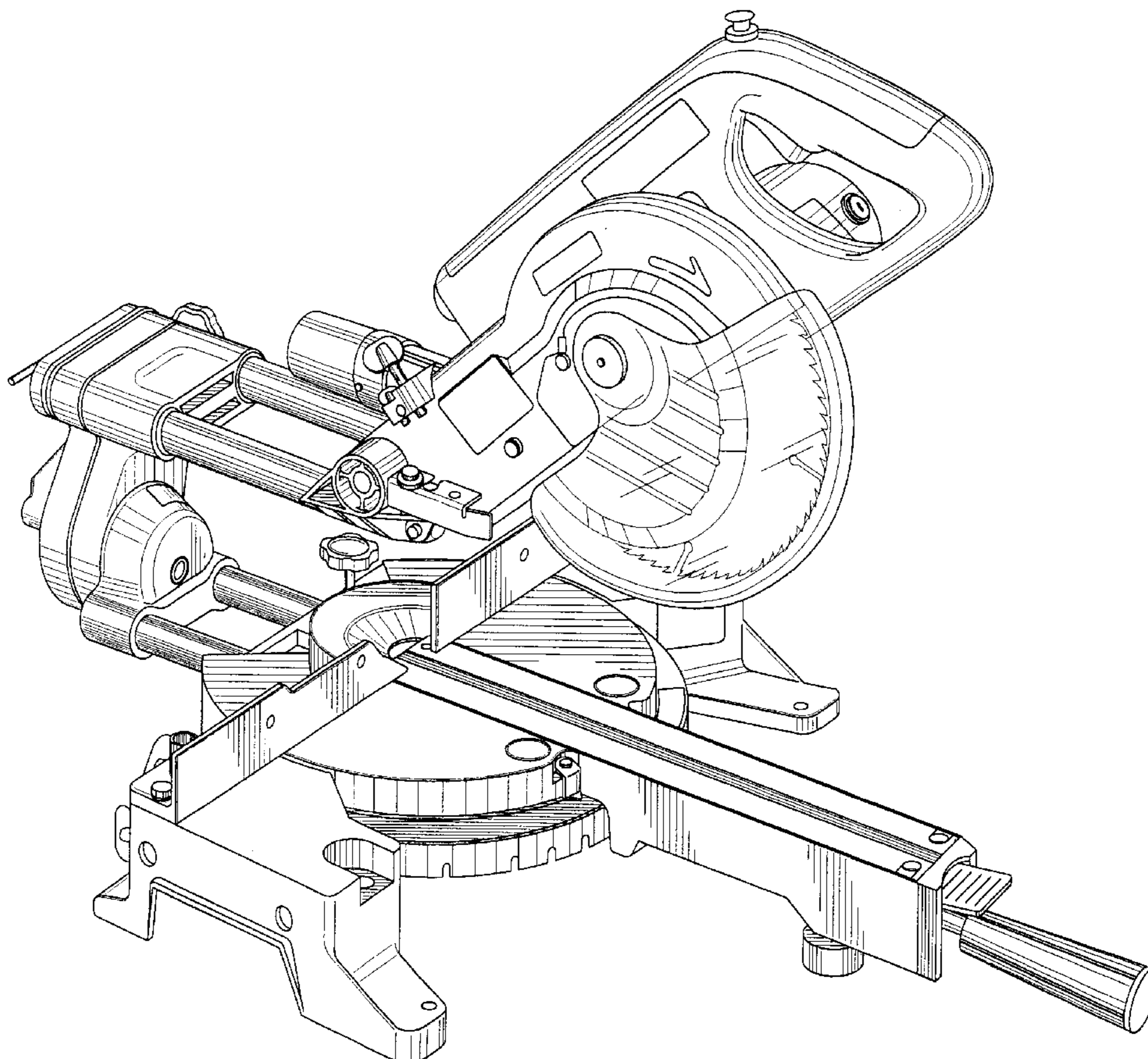
(57) **CLAIM**

The ornamental design for a miter saw, as shown and described.

DESCRIPTION

FIG. 1 is a perspective view of a miter saw showing our new design;
FIG. 2 is a front elevation view thereof;
FIG. 3 is a rear elevation view thereof;
FIG. 4 is a left side elevation view thereof;
FIG. 5 is a right side elevation view thereof;
FIG. 6 is a top plan view thereof; and,
FIG. 7 is a bottom plan view thereof.

1 Claim, 7 Drawing Sheets



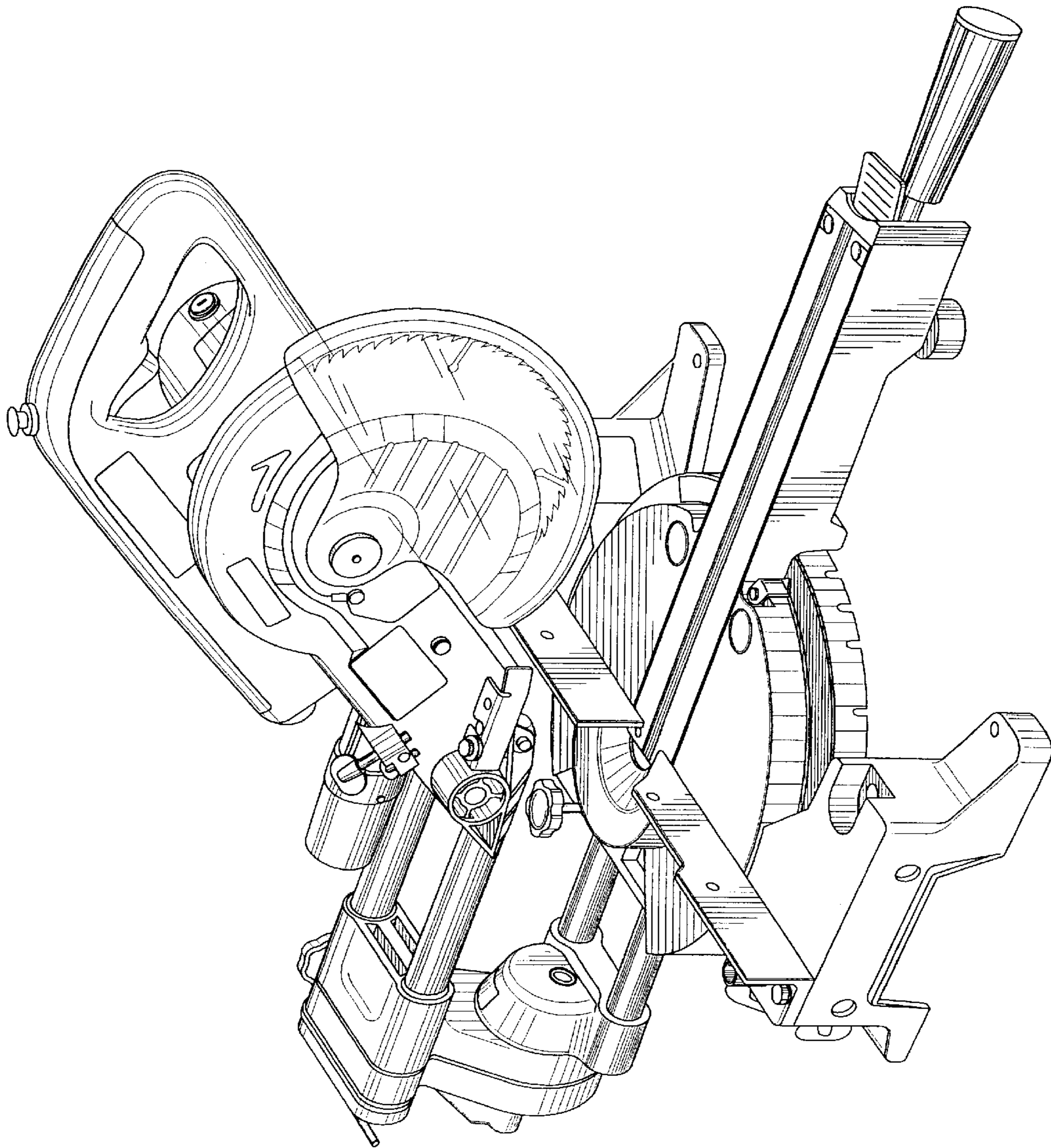


FIG. 1

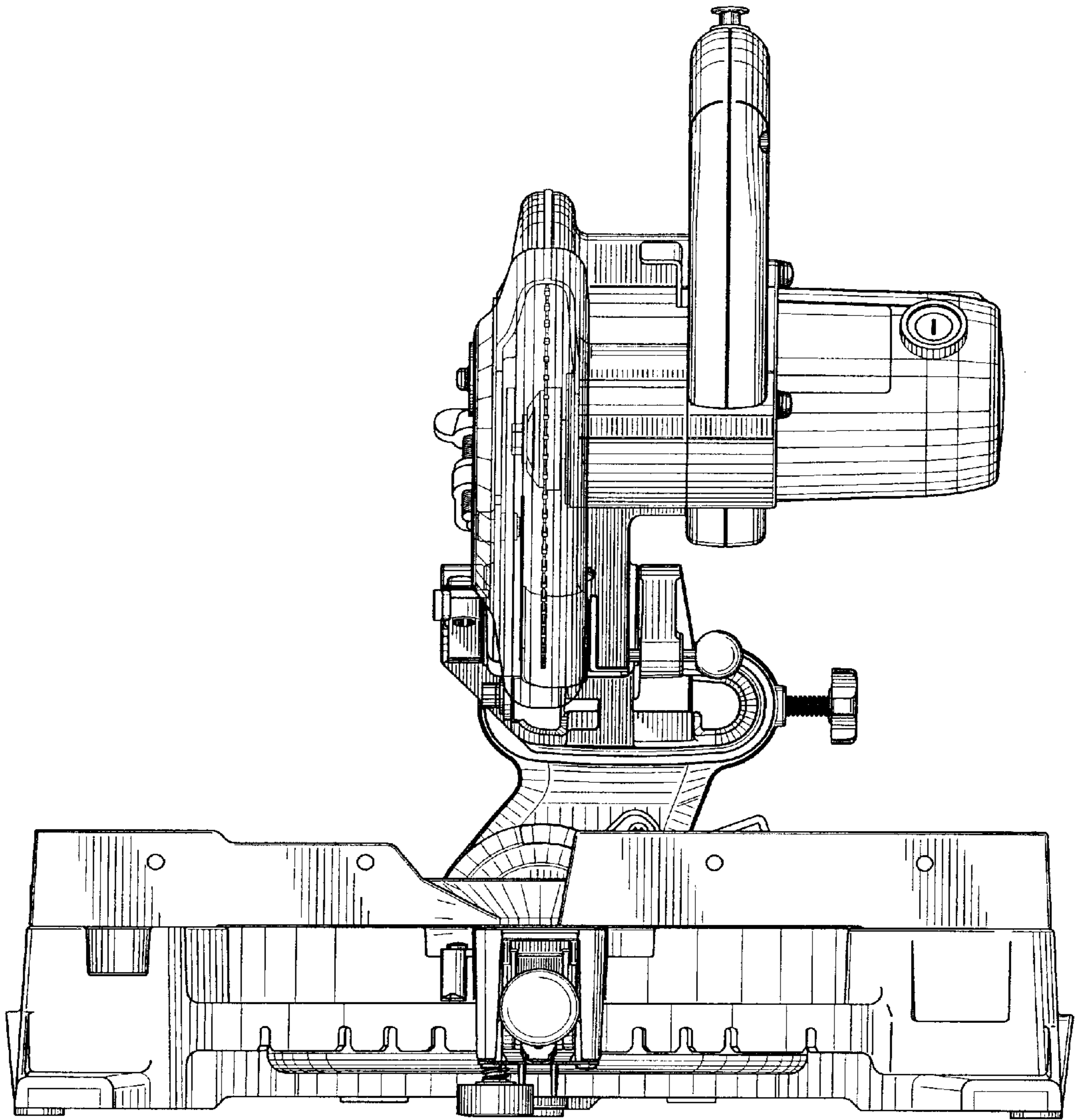


FIG. 2

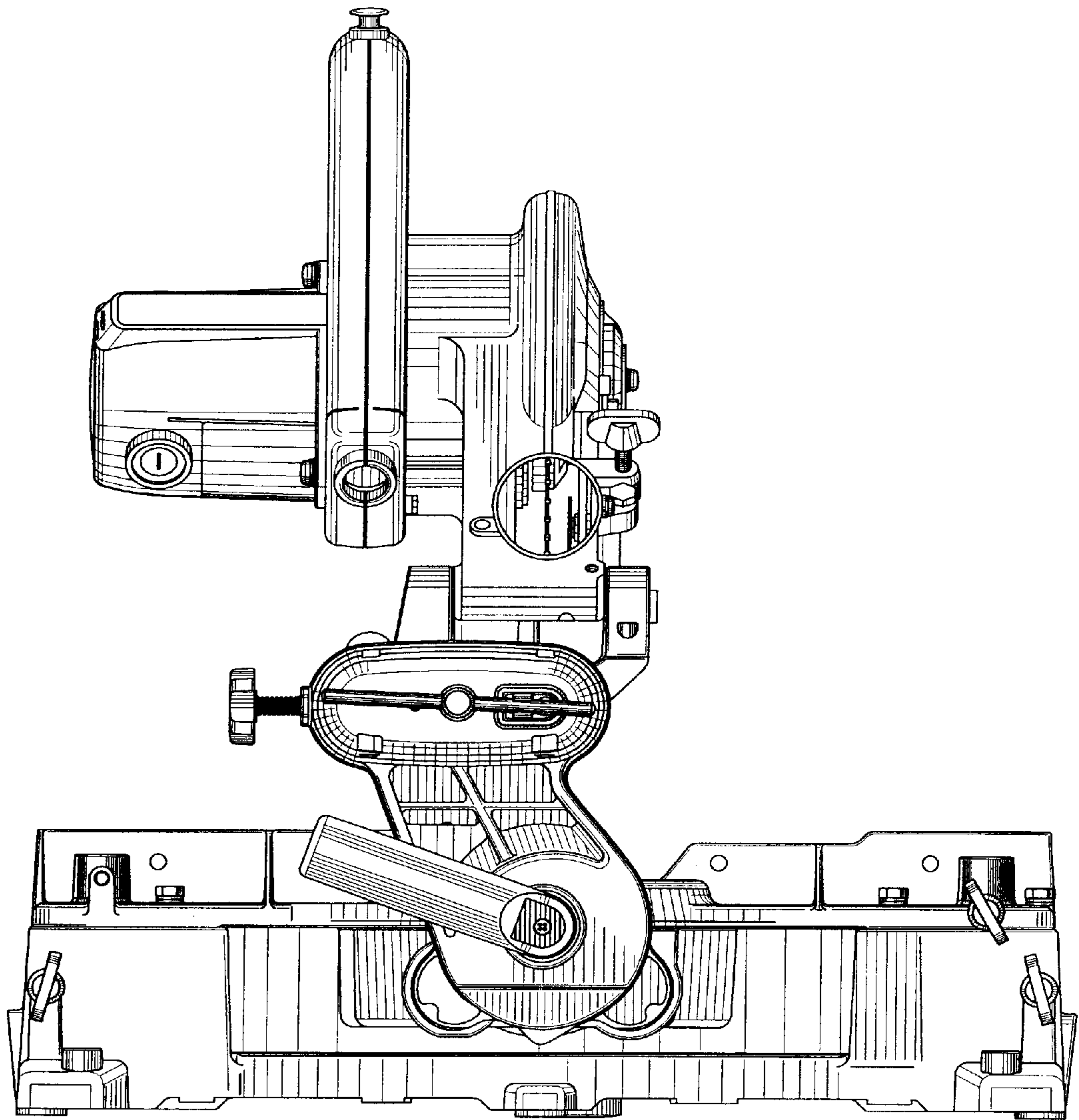


FIG. 3

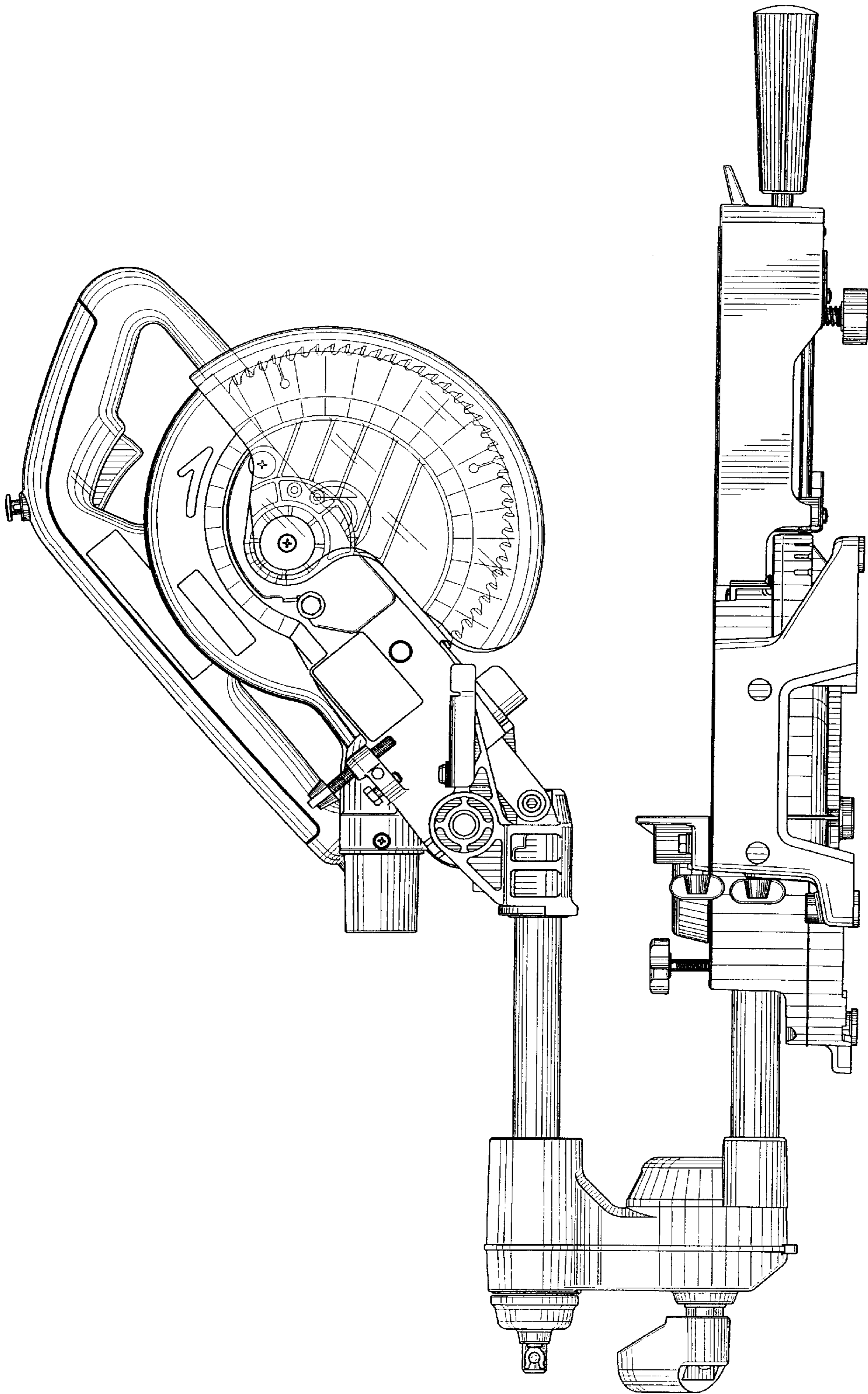


FIG. 4

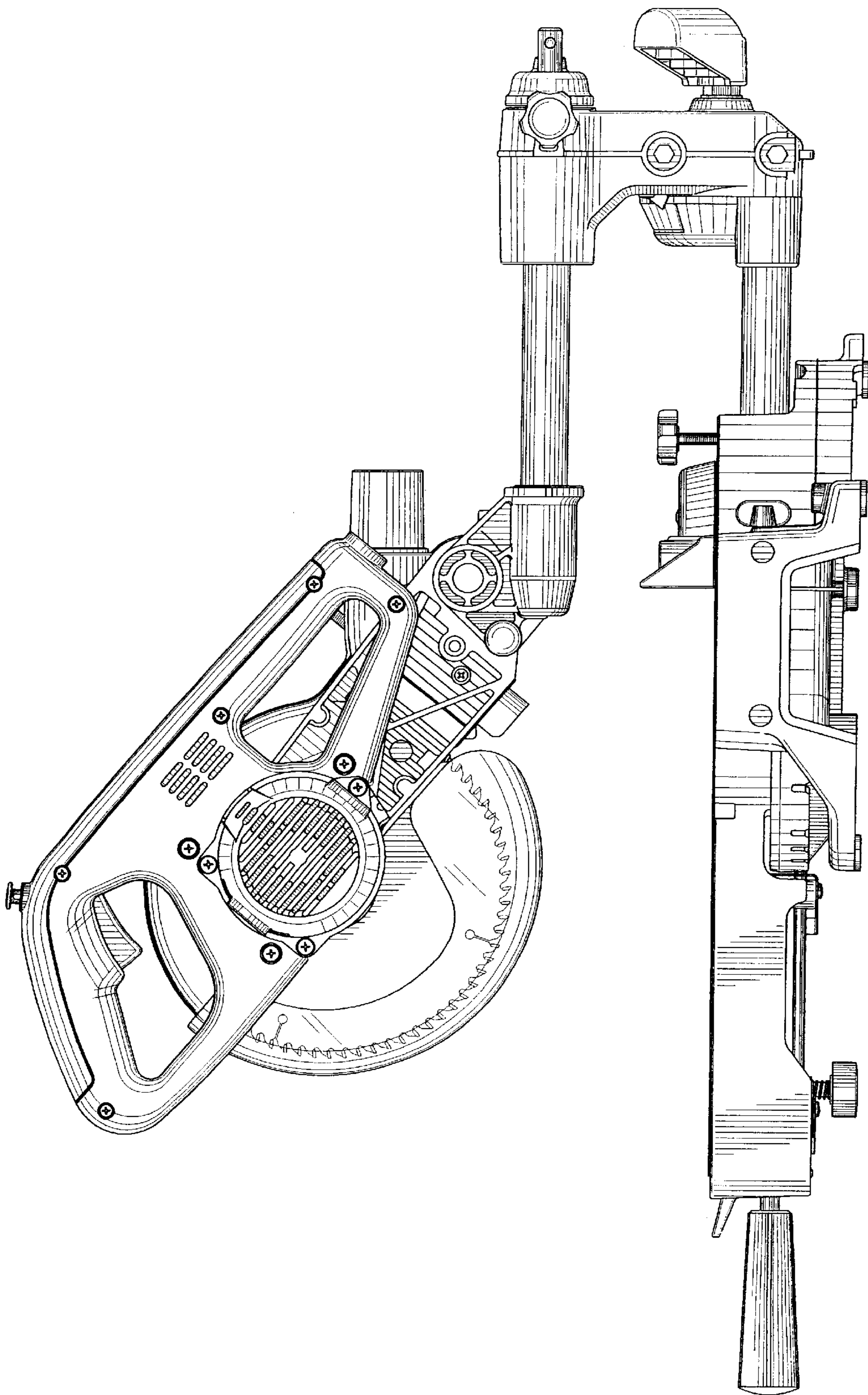


FIG. 5

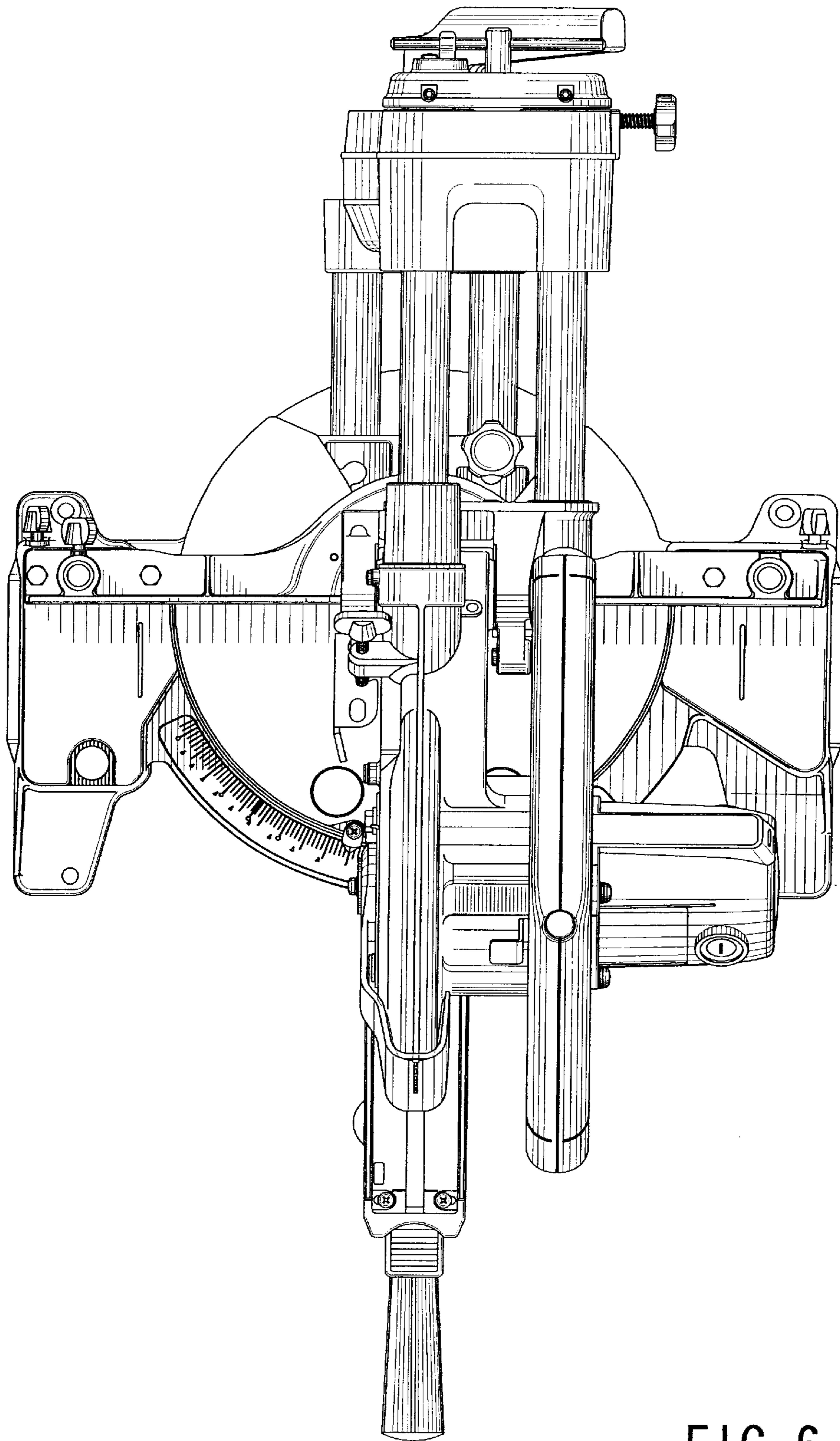


FIG. 6

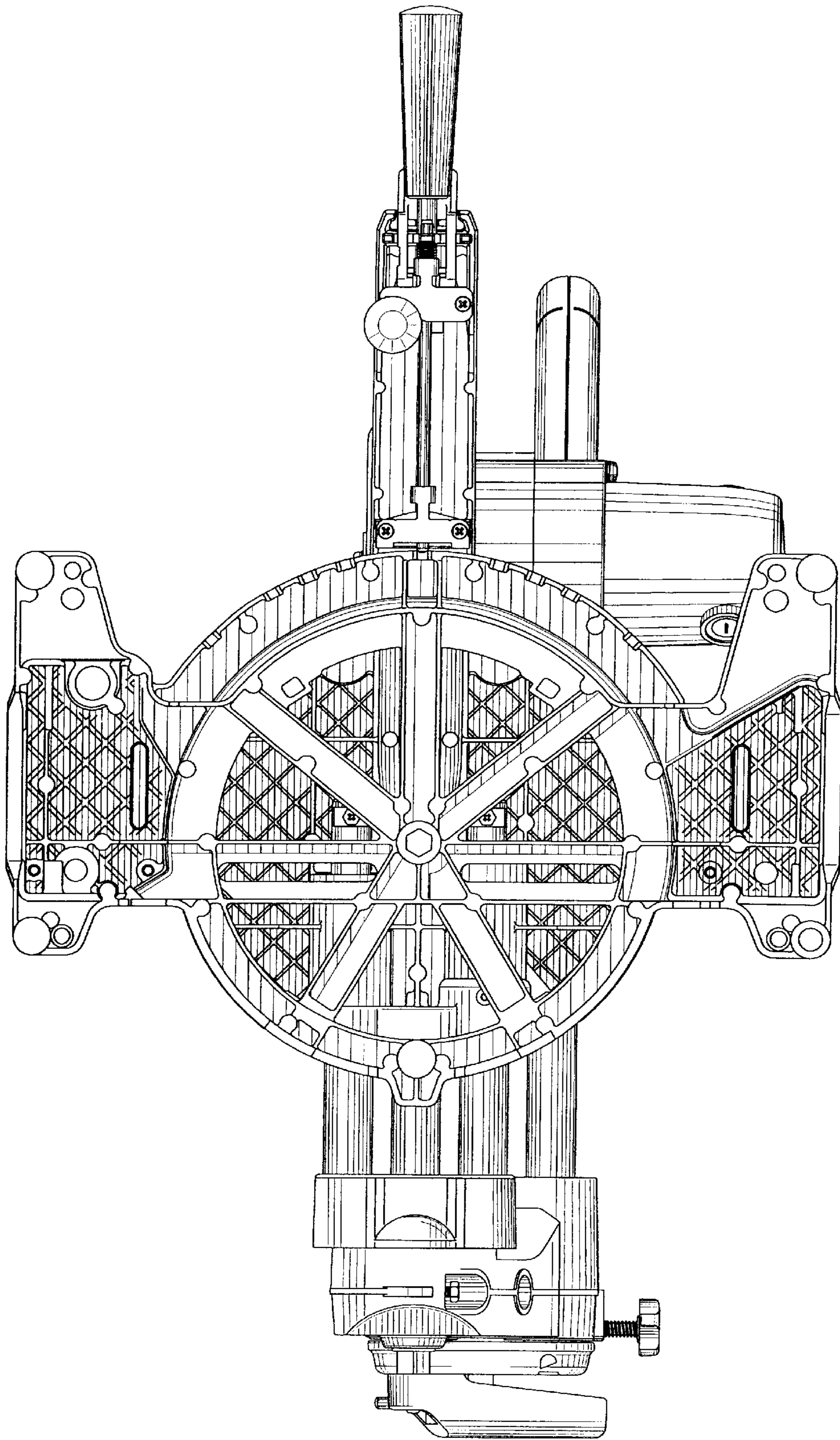


FIG. 7