



US00D478100S

(12) **United States Design Patent**  
**Wade**

(10) **Patent No.:** **US D478,100 S**

(45) **Date of Patent:** **\*\* Aug. 5, 2003**

(54) **FROZEN CONFECTIONERY MAKER**

D463,204 S \* 9/2002 Wade ..... D7/374  
D463,951 S \* 10/2002 Wade ..... D7/374

(75) Inventor: **Jeffrey Graeme Wade**, Hong Kong  
(HK)

\* cited by examiner

(73) Assignee: **Main Power Electrical Factory Ltd.**  
(HK)

*Primary Examiner*—Mitchell Siegel  
(74) *Attorney, Agent, or Firm*—Jackson Walker L.L.P.

(\*\*) Term: **14 Years**

(57) **CLAIM**

(21) Appl. No.: **29/159,202**

The ornamental design for a frozen confectionery maker, as shown and described.

(22) Filed: **Apr. 16, 2002**

**DESCRIPTION**

(51) **LOC (7) Cl.** ..... **15-07**

(52) **U.S. Cl.** ..... **D15/82**

(58) **Field of Search** ..... D15/80, 89, 82;  
D7/374; 99/286, 304, 306, 586; 241/87.1,  
83, 95, 100, 249, 277, 285.1

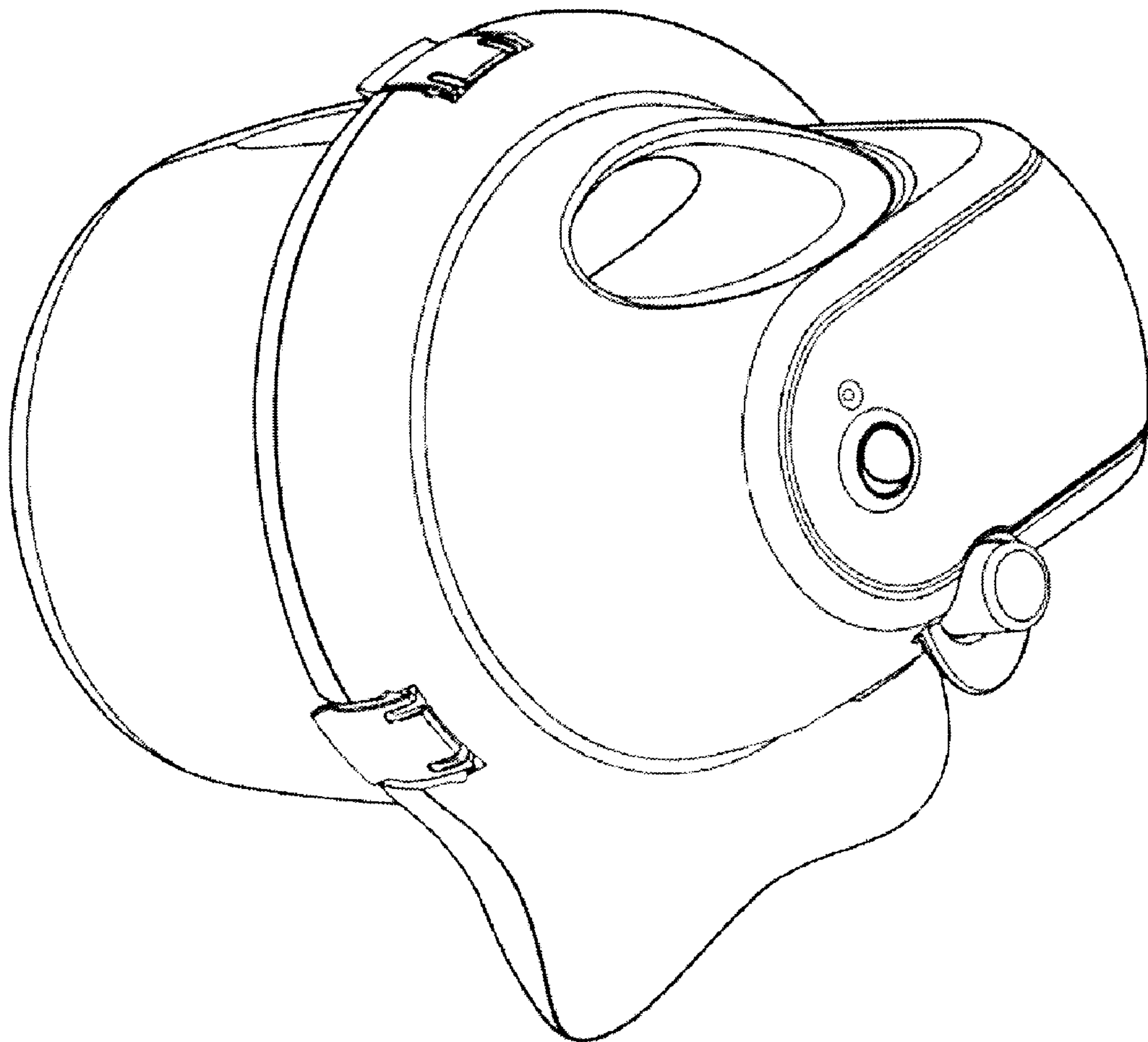
FIG. 1 is a top perspective view of a frozen confectionery maker showing my new design;  
FIG. 2 is a top plan view thereof;  
FIG. 3 is a bottom plan view thereof;  
FIG. 4 is a front side elevational view thereof;  
FIG. 5 is a rear side elevational view thereof;  
FIG. 6 is a right side elevational view thereof; and,  
FIG. 7 is a left side elevational view thereof.

(56) **References Cited**

**U.S. PATENT DOCUMENTS**

D459,739 S \* 7/2002 Crossley ..... D15/89

**1 Claim, 4 Drawing Sheets**



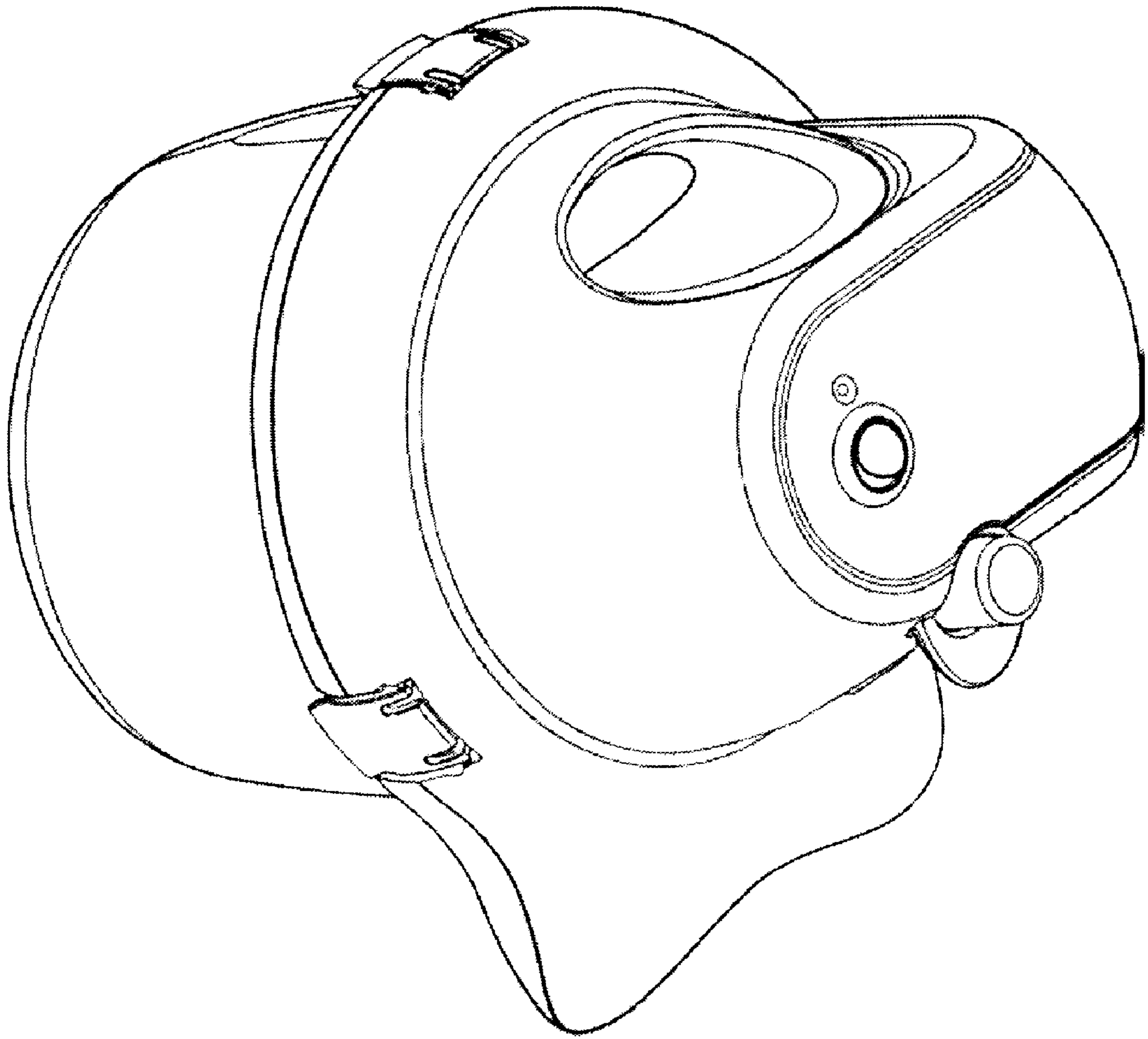


FIG. 1

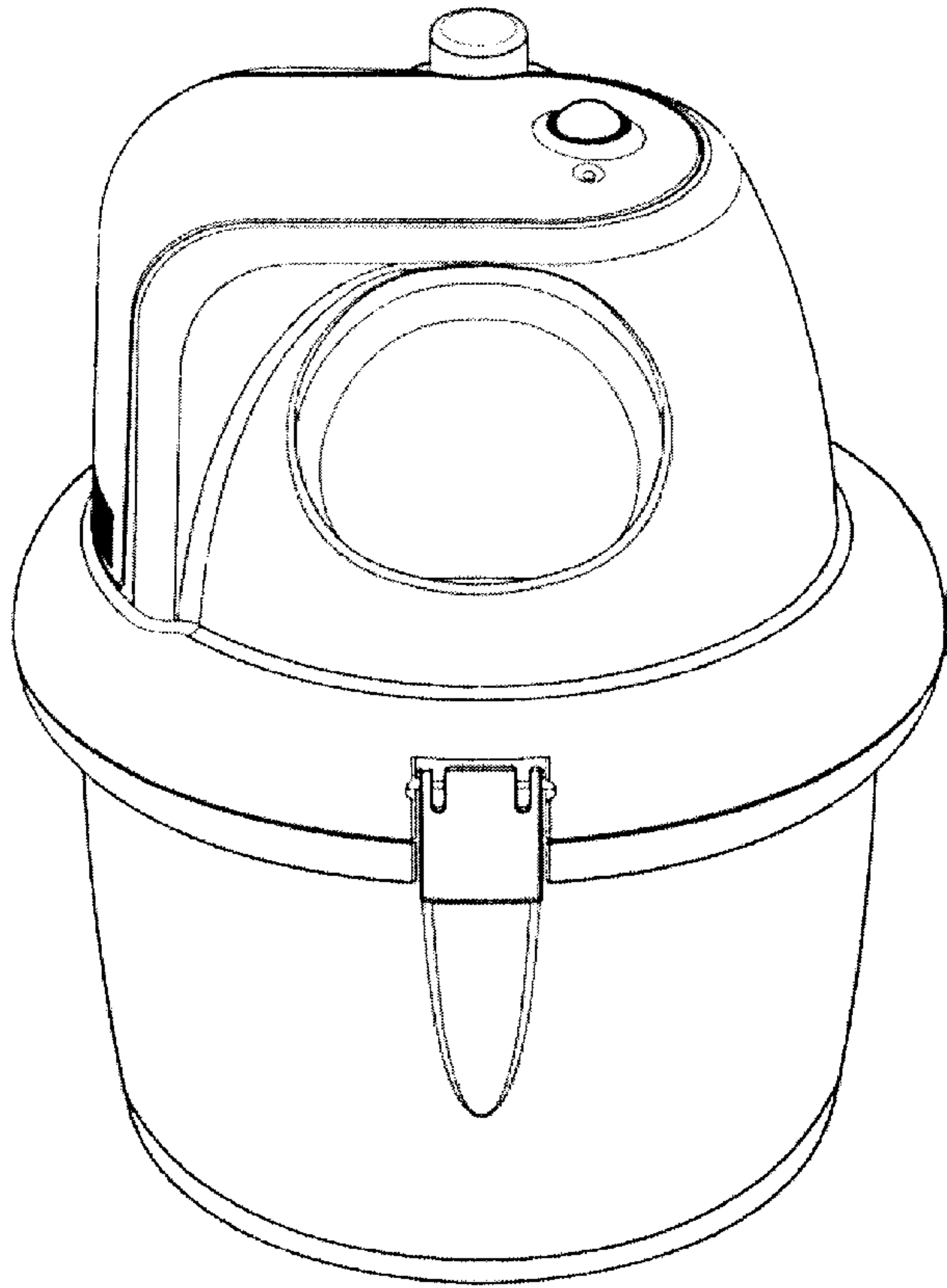


FIG. 2

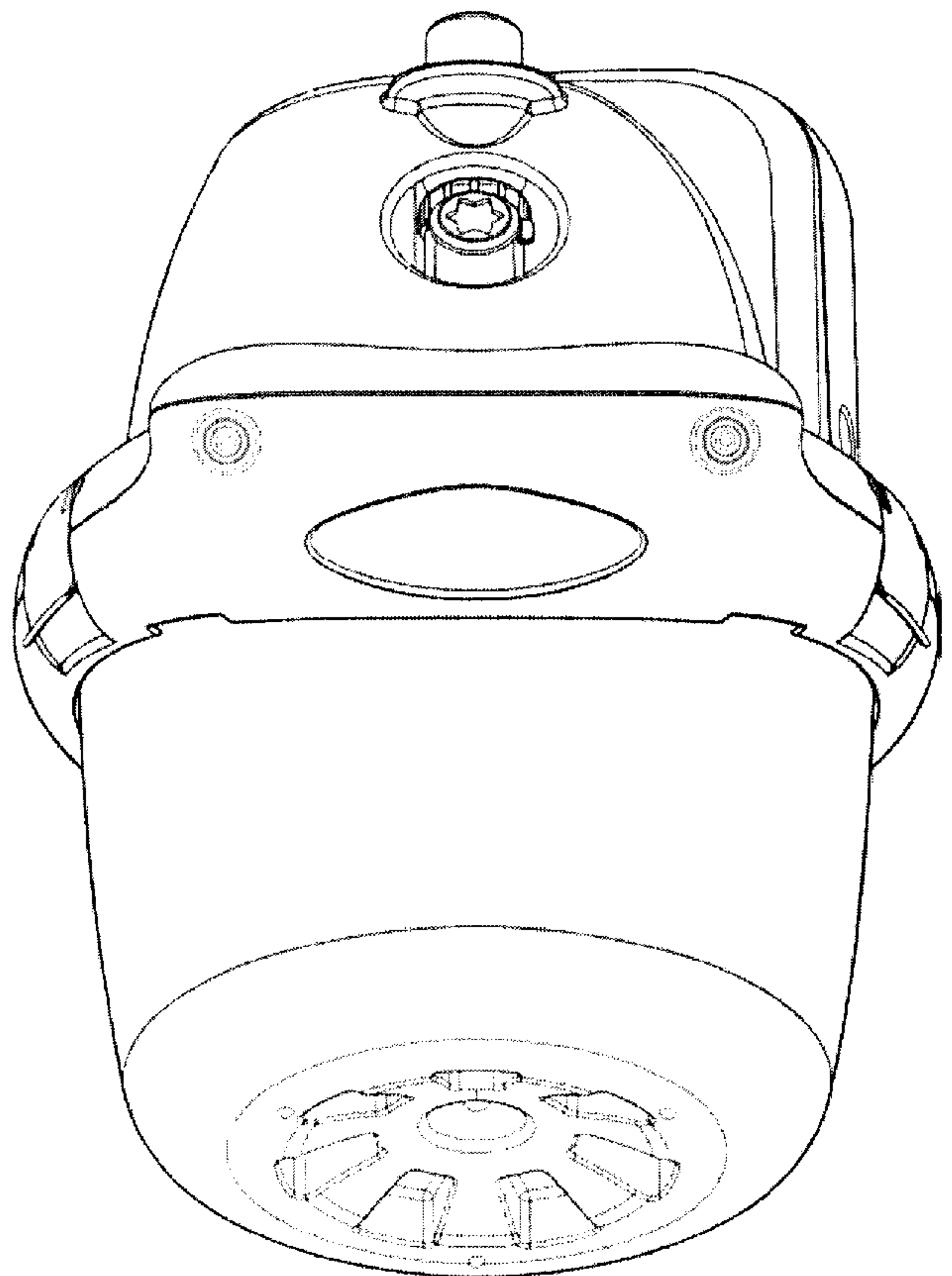


FIG. 3

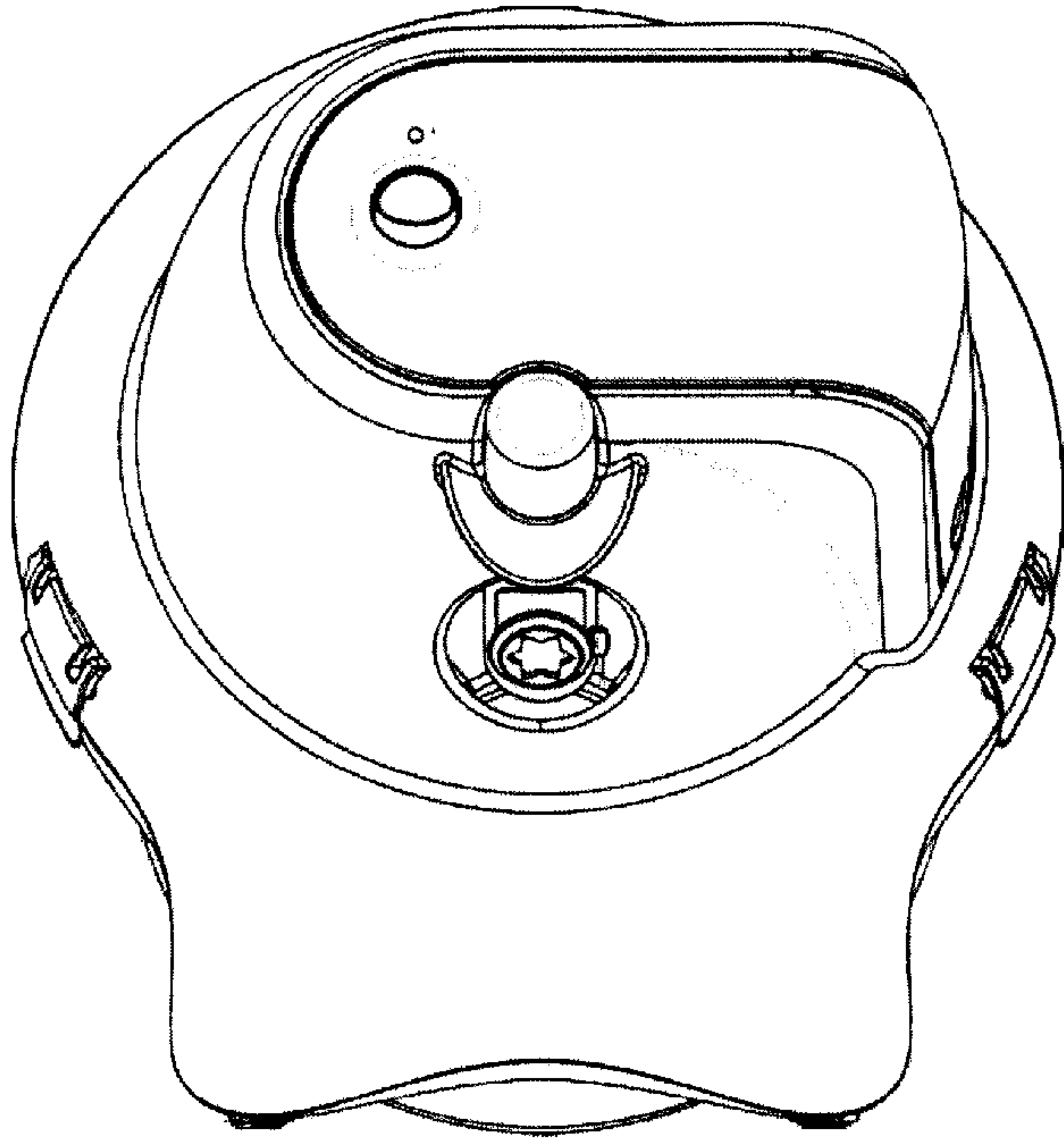


FIG. 4

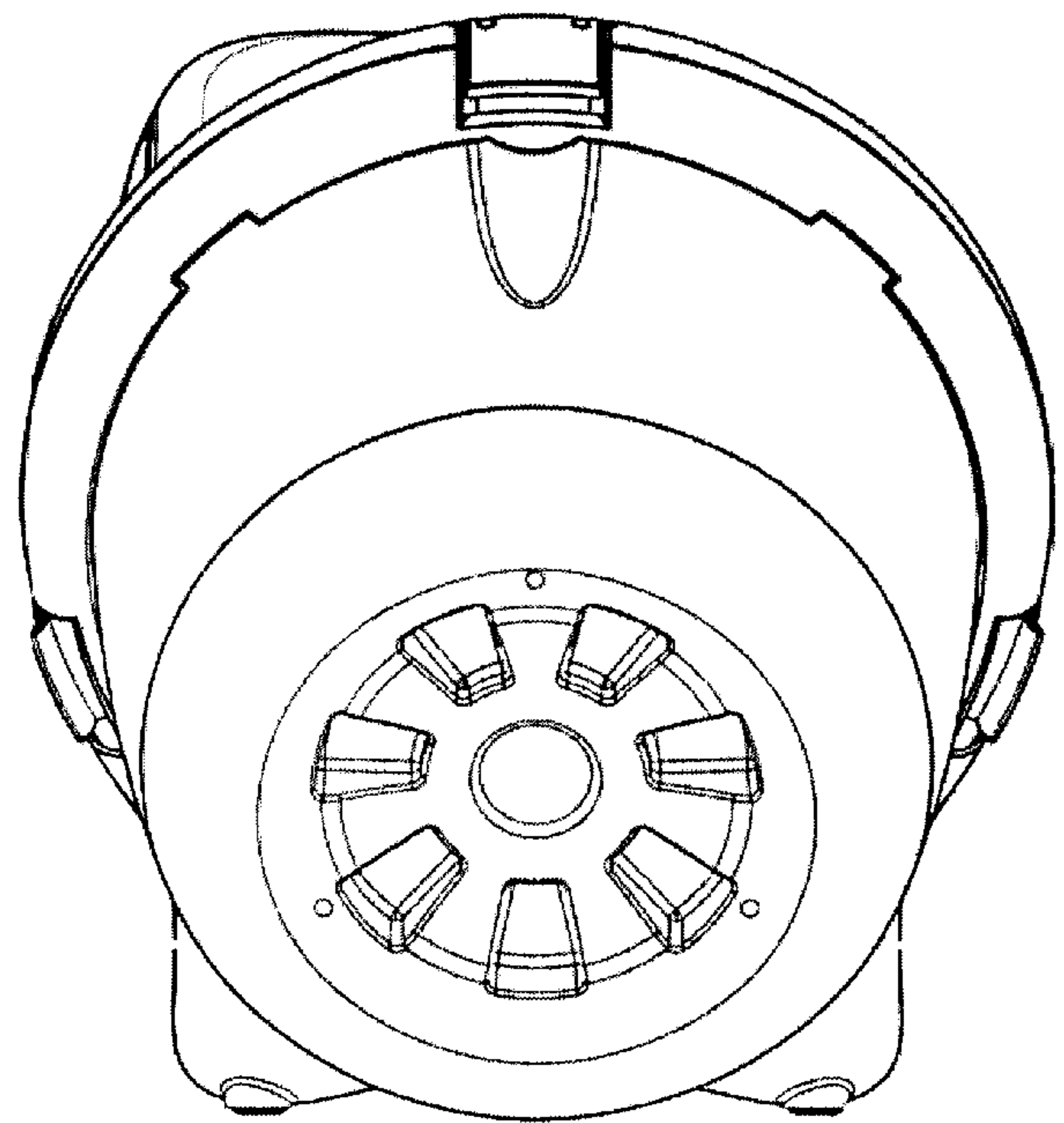


FIG. 5



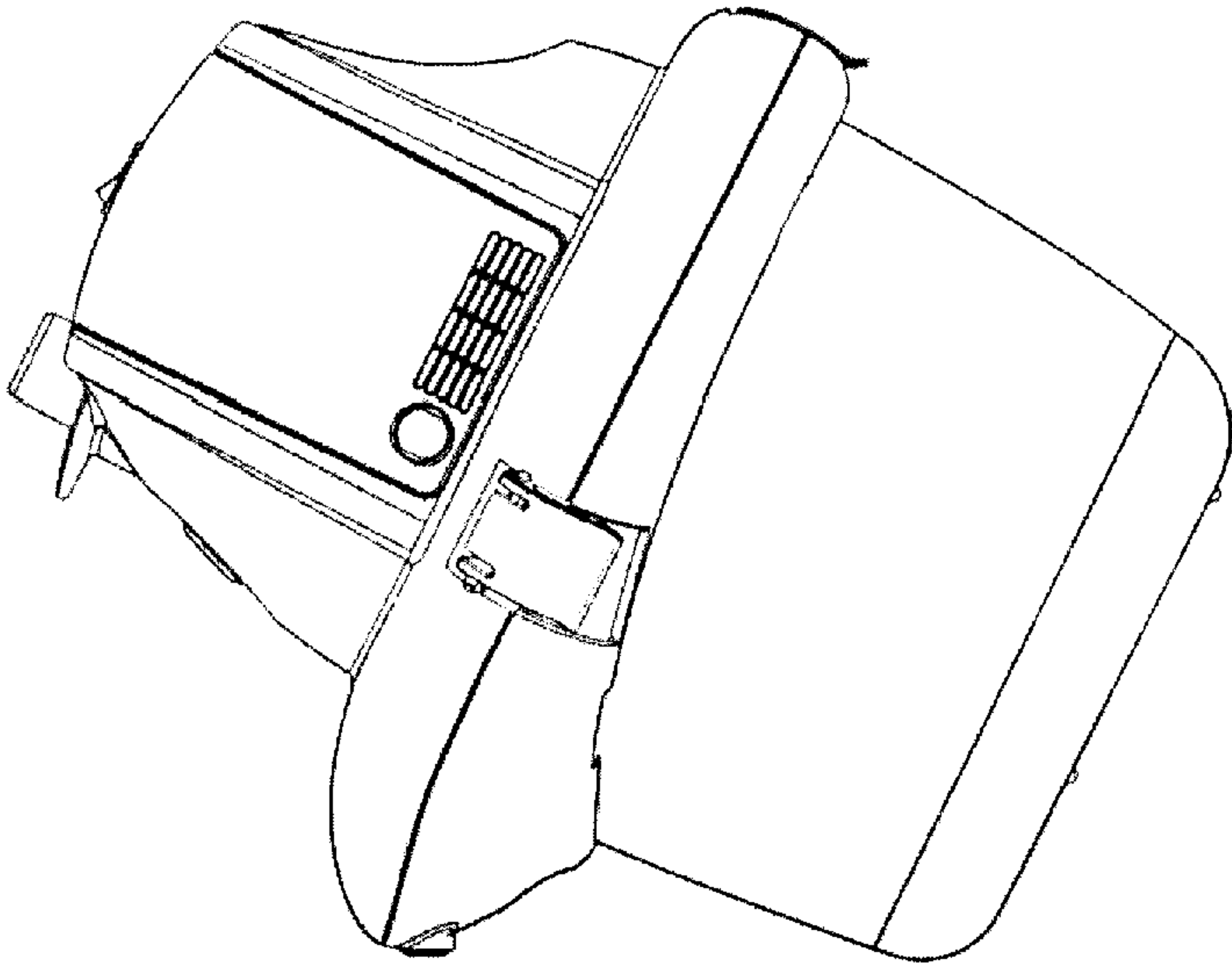


FIG. 6

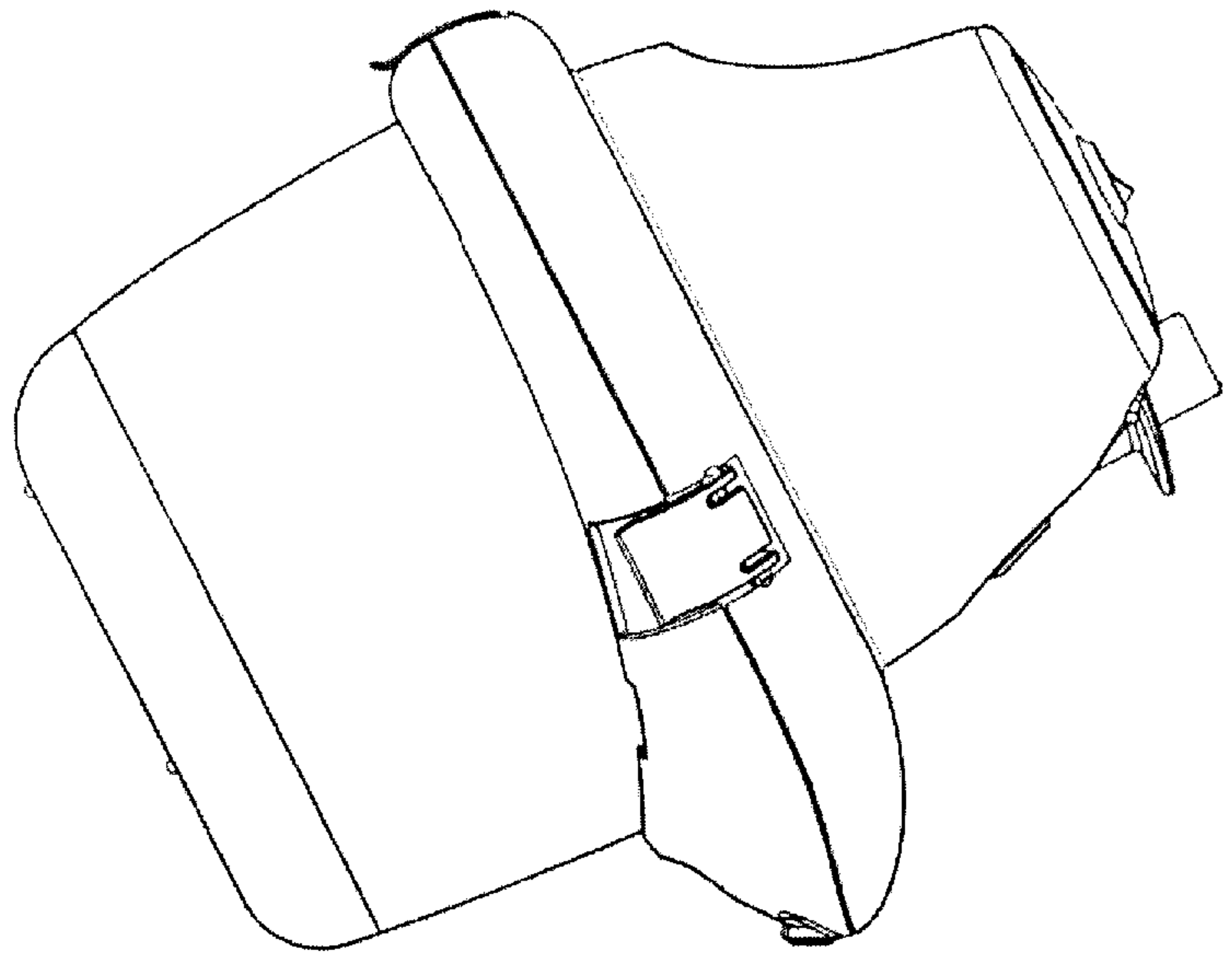


FIG. 7