



US00D478099S

(12) **United States Design Patent**
Muto

(10) **Patent No.:** **US D478,099 S**

(45) **Date of Patent:** **** Aug. 5, 2003**

(54) **SEWING MACHINE**

D462,703 S * 9/2002 Farne D15/69

(75) Inventor: **Hideki Muto**, Tokyo (JP)

* cited by examiner

(73) Assignee: **Janome Sewing Machine Co., Ltd.**,
Tokyo (JP)

Primary Examiner—Mitchell Siegel

(74) *Attorney, Agent, or Firm*—Niels & Lemack

(**) Term: **14 Years**

(57) **CLAIM**

The ornamental design for a sewing machine, as shown.

(21) Appl. No.: **29/165,241**

DESCRIPTION

(22) Filed: **Aug. 6, 2002**

(30) **Foreign Application Priority Data**

Jan. 3, 2002 (JP) 2002-005359

(51) **LOC (7) Cl.** **15-06**

(52) **U.S. Cl.** **D15/69**

(58) **Field of Search** D15/66-72; 112/217.1-217.4,
112/258-262.3

FIG. 1 is a perspective view of the sewing machine of the present invention;

FIG. 2 is a first side view of the sewing machine of the present invention;

FIG. 3 is a top view of the sewing machine of the present invention;

FIG. 4 is a front view of the sewing machine of the present invention;

FIG. 5 is a rear view of the sewing machine of the present invention;

FIG. 6 is a bottom view of the sewing machine of the present invention; and,

FIG. 7 is a second side view of the sewing machine of the present invention.

(56) **References Cited**

U.S. PATENT DOCUMENTS

- D188,358 S * 7/1960 Garcia D15/69
- D359,965 S * 7/1995 Nakajima et al. D15/69
- D366,490 S * 1/1996 Wu D15/69
- D459,369 S * 6/2002 Yamamoto et al. D15/69

1 Claim, 3 Drawing Sheets

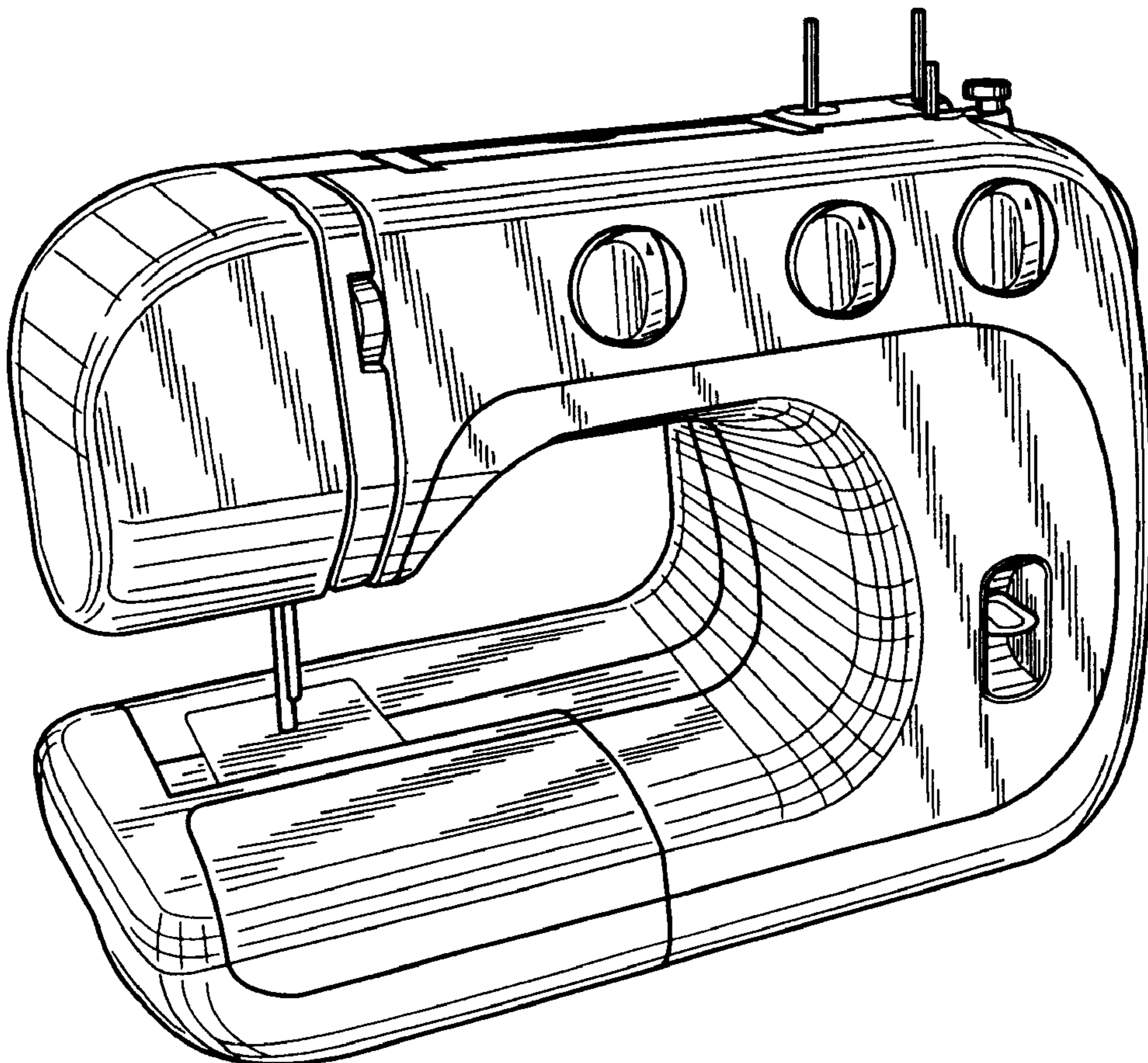


FIG.1

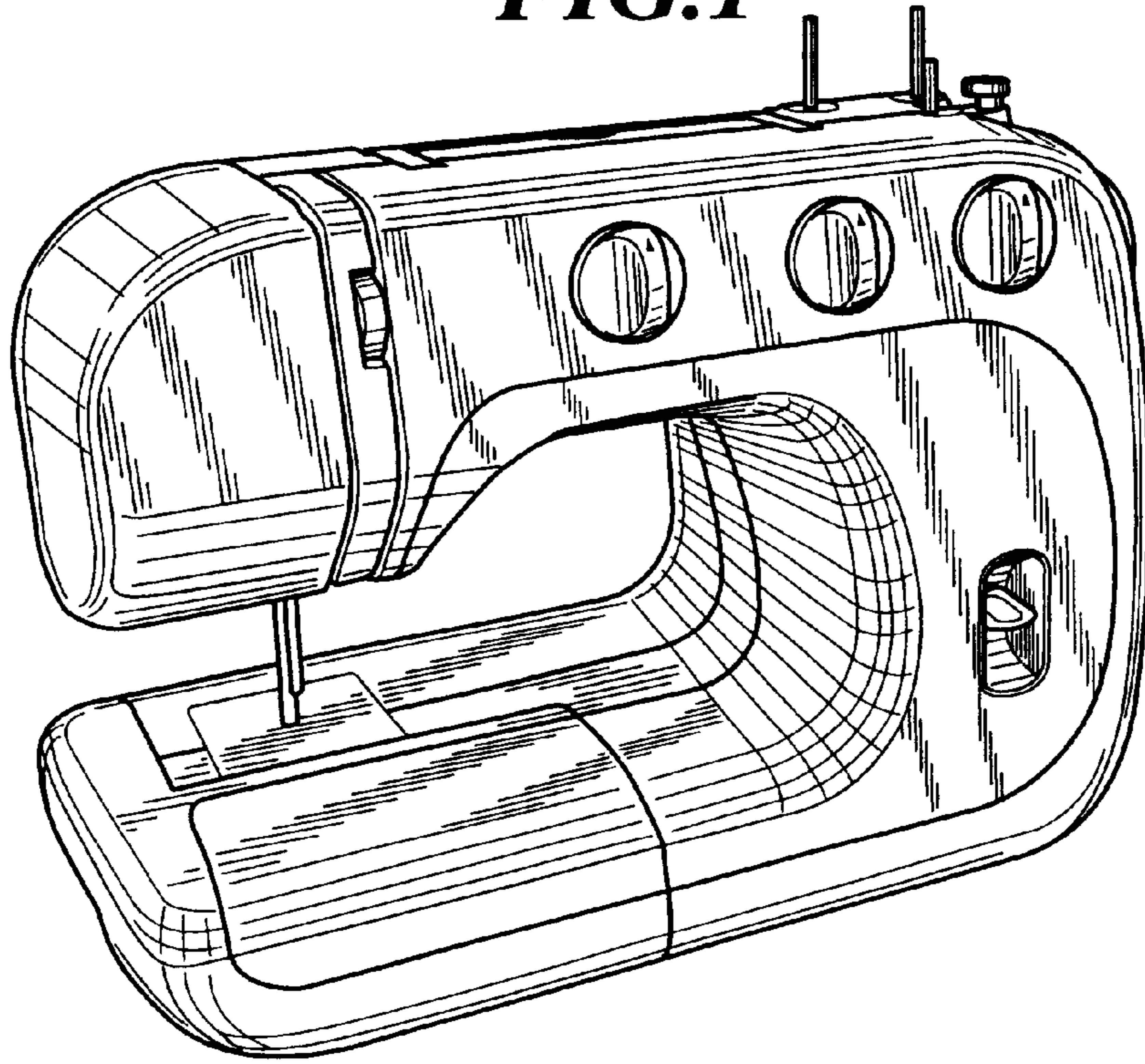


FIG.2

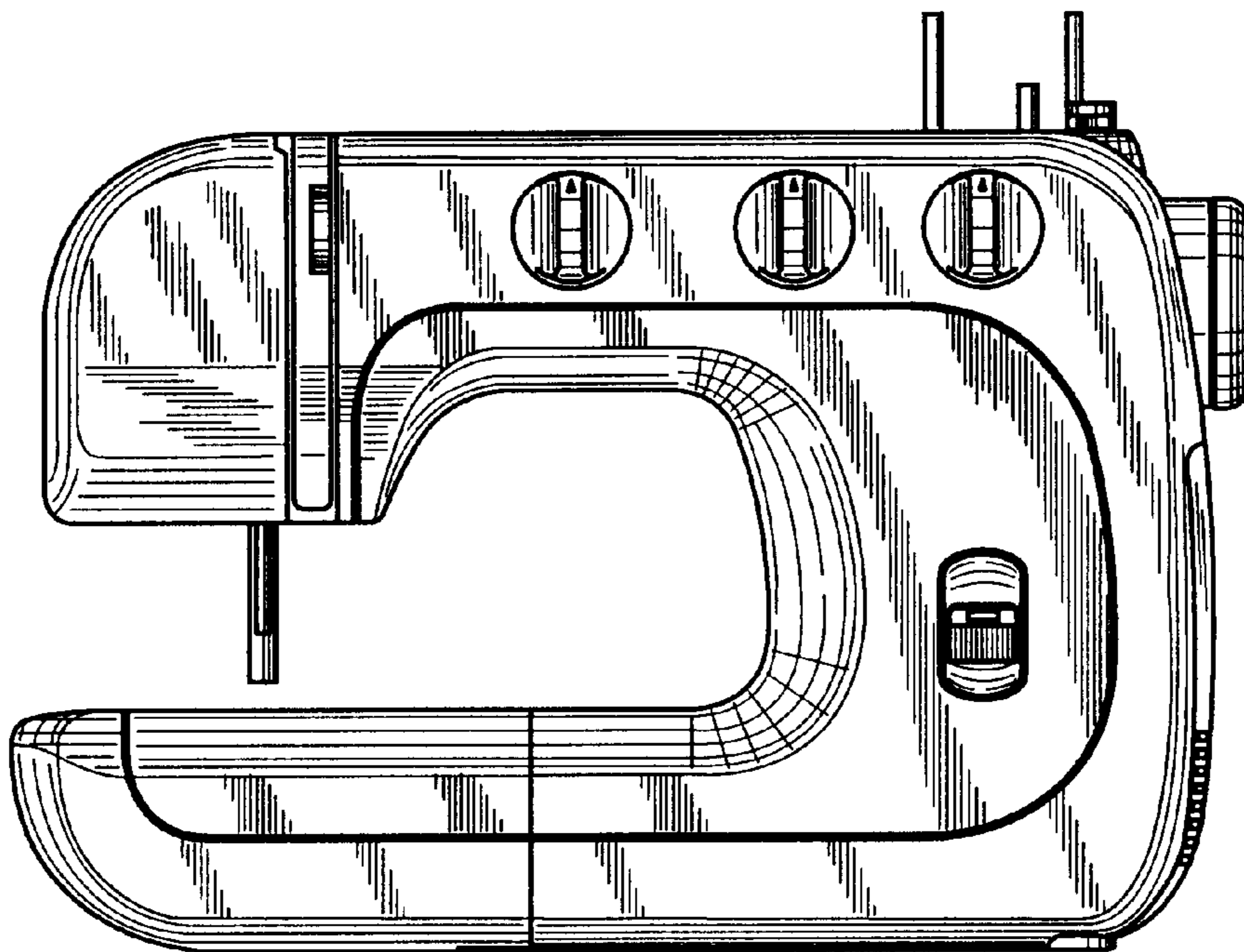


FIG.3

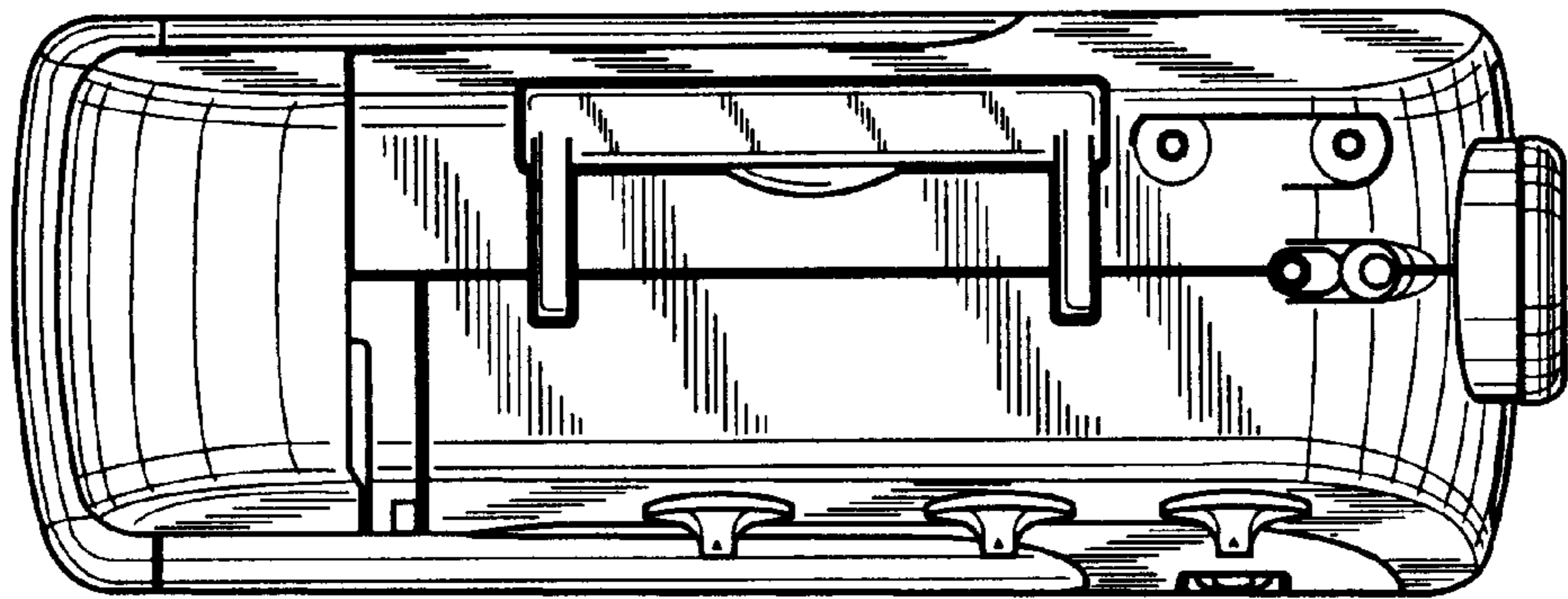


FIG.4

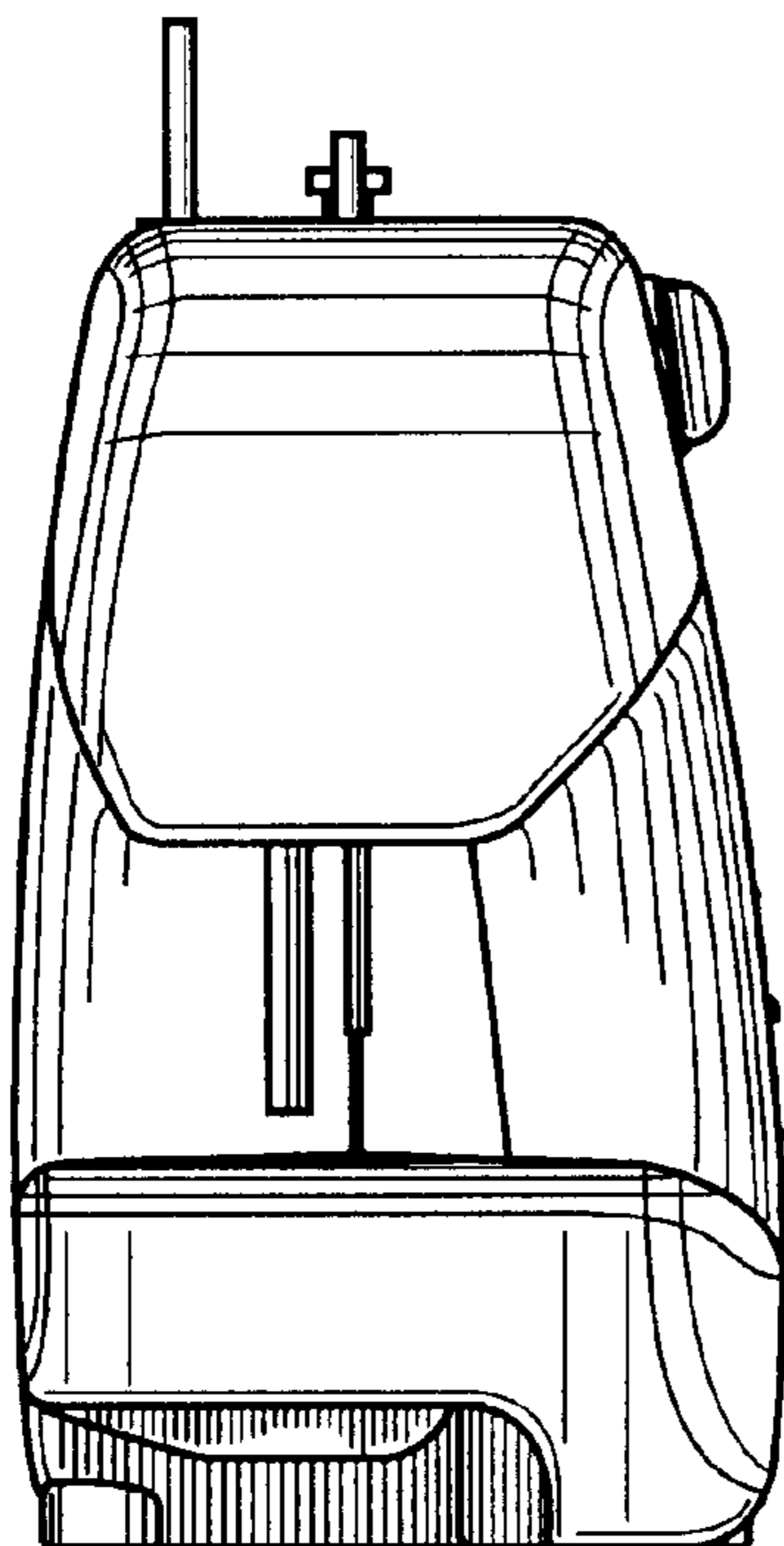


FIG.5

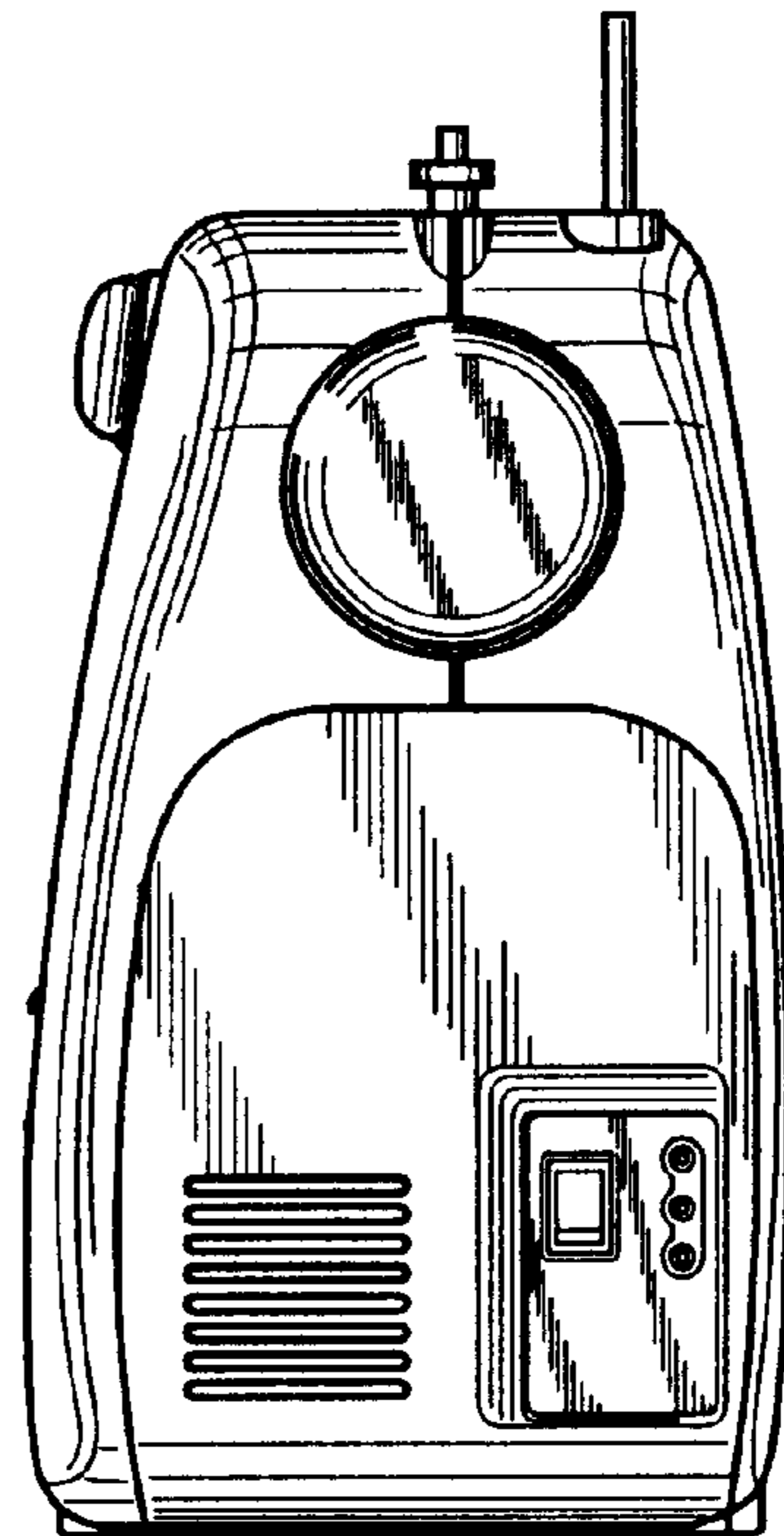


FIG. 6

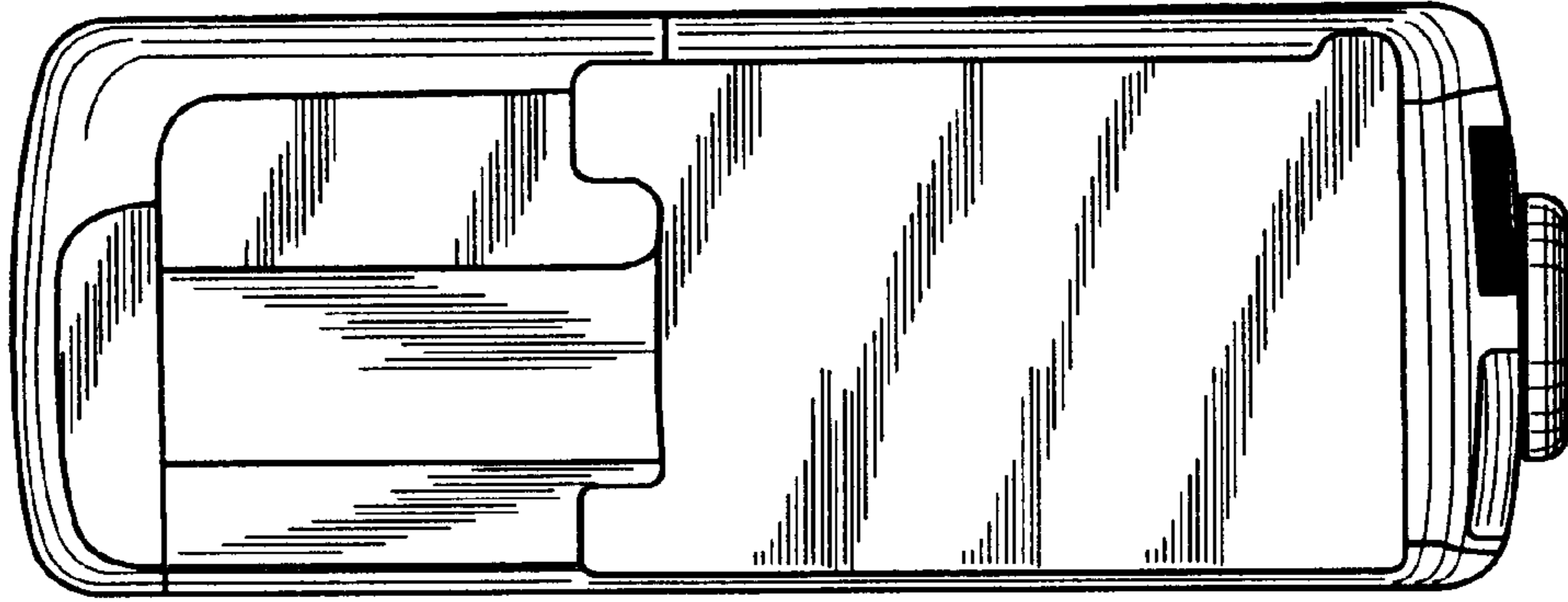


FIG. 7

