



US00D478095S

(12) **United States Design Patent**
Reger

(10) **Patent No.: US D478,095 S**

(45) **Date of Patent: ** Aug. 5, 2003**

(54) **COMPRESSOR SHROUD**

(75) Inventor: **Todd A. Reger**, West Chester, OH (US)

(73) Assignee: **Campbell Hausfeld/Scott Fetzer Company**, Harrison, OH (US)

(**) Term: **14 Years**

(21) Appl. No.: **29/168,465**

(22) Filed: **Oct. 2, 2002**

(51) **LOC (7) Cl. 15-02**

(52) **U.S. Cl. D15/9**

(58) **Field of Search** D15/7-9; 248/675;
417/234, 360, 229, 321, 410-411, 265,
415, 409

(56) **References Cited**

U.S. PATENT DOCUMENTS

4,027,993 A	6/1977	Wolff	
4,077,747 A	3/1978	Burenga	
4,187,058 A	2/1980	Fish	
4,264,282 A	4/1981	Crago	
D280,993 S	10/1985	Mariol	
4,621,984 A	11/1986	Fussell	
D293,682 S	* 1/1988	Liou D15/9
4,722,673 A	2/1988	Grime et al.	
D296,441 S	6/1988	Mariol	
4,830,579 A	5/1989	Cheng	
D303,394 S	9/1989	Mariol	
5,030,067 A	7/1991	Ushiota et al.	
5,051,068 A	9/1991	Wong	
5,054,740 A	10/1991	Wheeler	
5,137,434 A	8/1992	Wheeler et al.	
D352,292 S	11/1994	Morgan	
D352,293 S	11/1994	Morgan	
D352,294 S	11/1994	Morgan	
5,378,119 A	1/1995	Goertzen	

6,065,942 A	5/2000	Glidden et al.	
D434,048 S	11/2000	Orschell et al.	
D455,761 S	* 4/2002	Graber et al. D15/9

* cited by examiner

Primary Examiner—Ralf Seifert

(74) *Attorney, Agent, or Firm*—Jones Day

(57) **CLAIM**

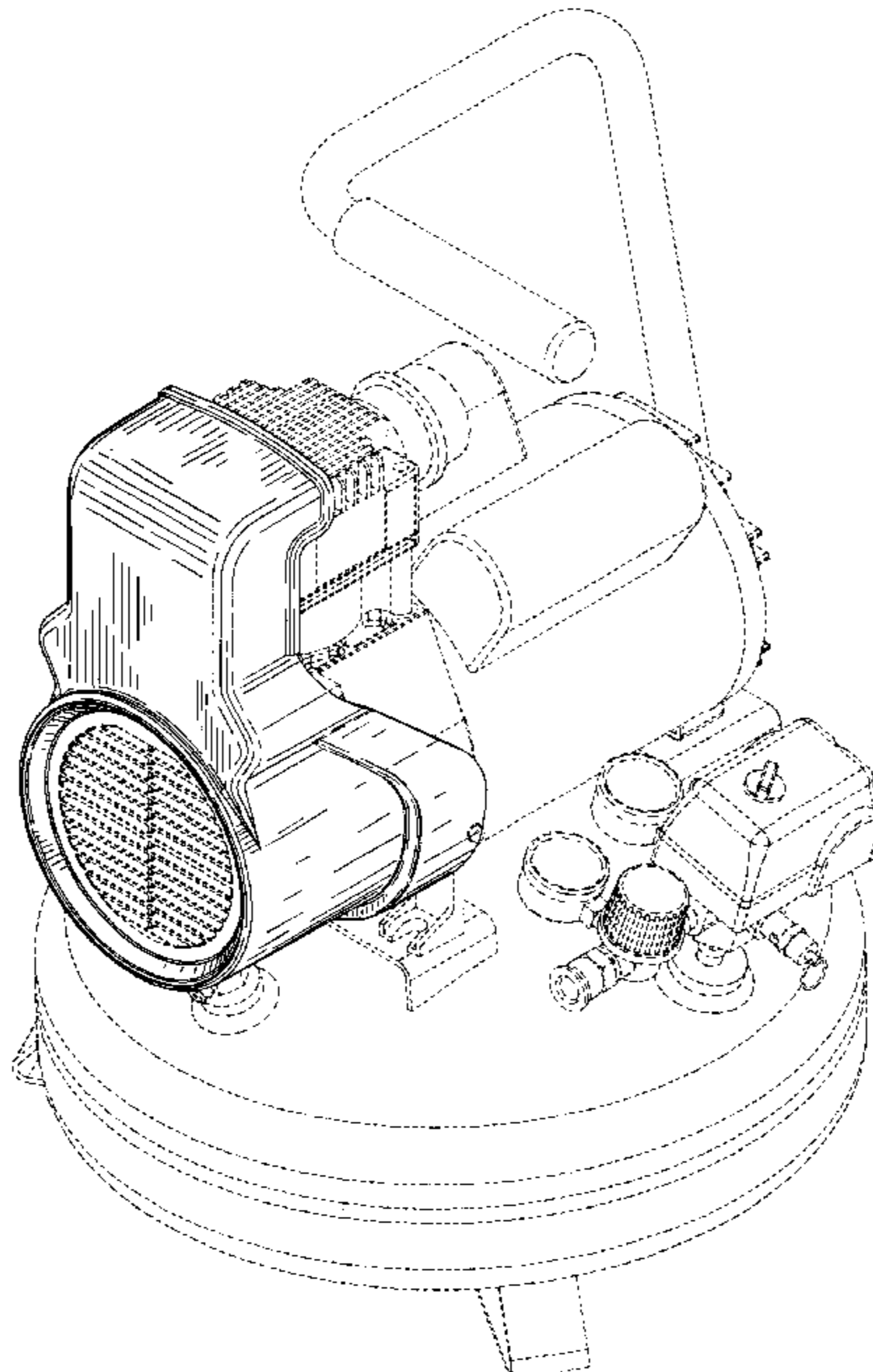
I claim the ornamental design for a compressor shroud, as shown and described.

DESCRIPTION

FIG. 1 is a perspective view of a compressor shroud embodying the ornamental design of my invention; FIG. 2 is a side view of the compressor shroud of FIG. 1; FIG. 3 is an opposite side view of the compressor shroud of FIG. 1; FIG. 4 is a front view of the compressor shroud of FIG. 1; FIG. 5 is a rear view of the compressor shroud of FIG. 1; FIG. 6 is a top view of the compressor shroud of FIG. 1; FIG. 7 is a bottom view of the compressor shroud of FIG. 1; FIG. 8 is a perspective view of a compressor shroud comprising a second embodiment of the ornamental design of my invention; FIG. 9 is a side view of the compressor shroud of FIG. 8; FIG. 10 is an opposite side view of the compressor shroud of FIG. 8; FIG. 11 is a front view of the compressor shroud of FIG. 8; FIG. 12 is a rear view of the compressor shroud of FIG. 8; FIG. 13 is a top view of the compressor shroud of FIG. 8; and, FIG. 14 is a bottom view of the compressor shroud of FIG. 8.

The broken line showings in FIGS. 1-14 are for illustrative purposes only and form no part of the claimed design.

1 Claim, 8 Drawing Sheets



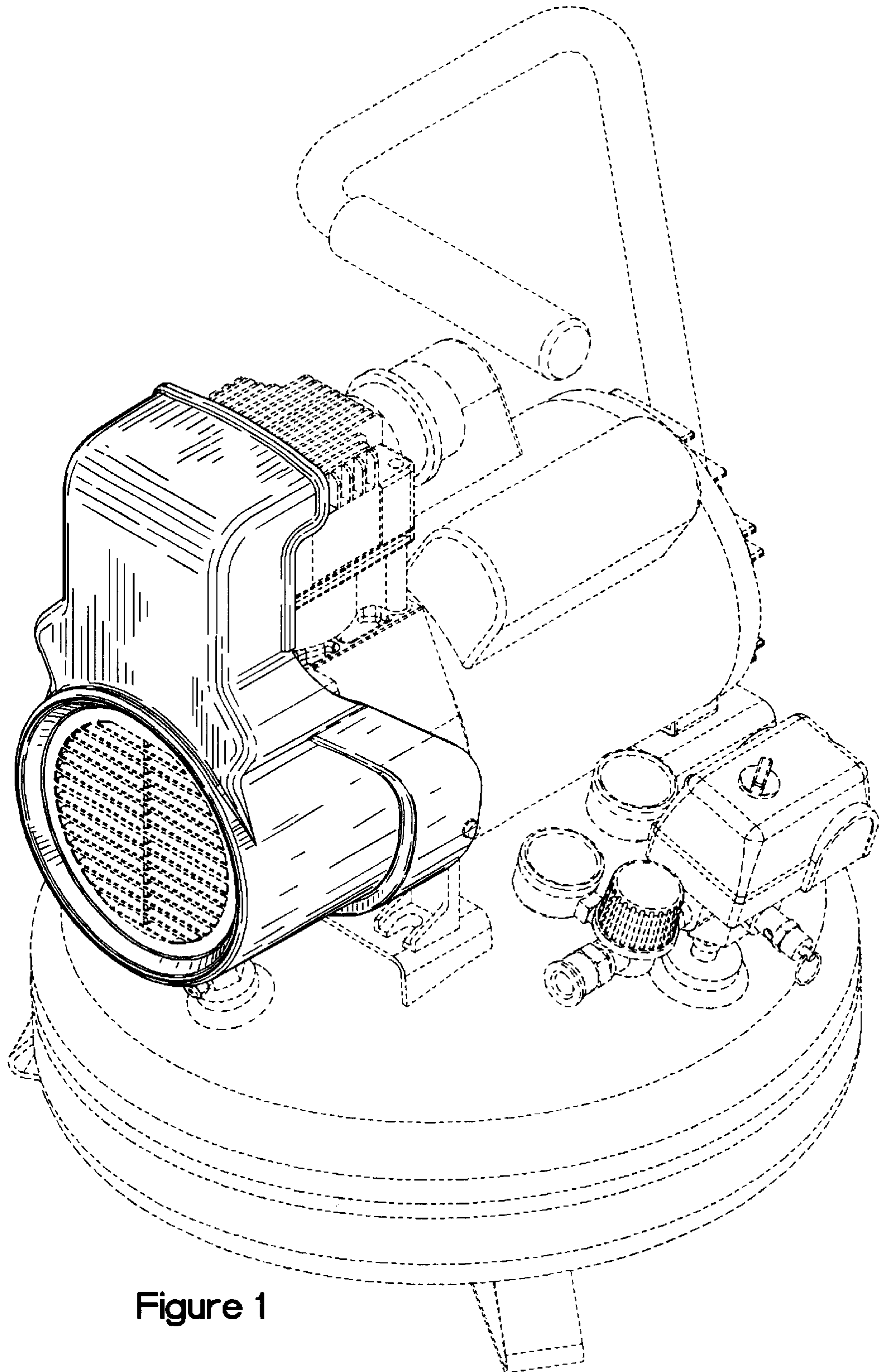


Figure 1

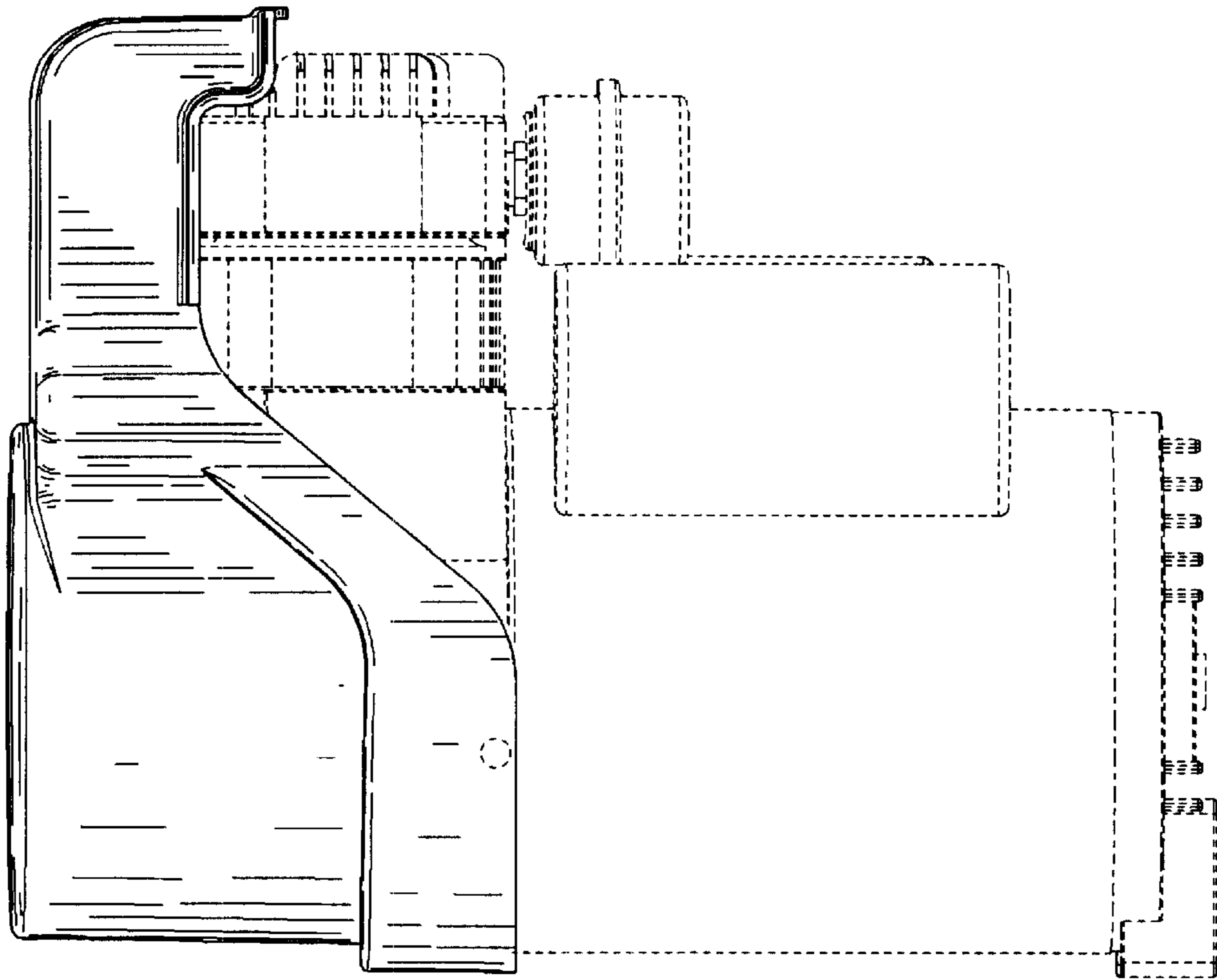


Figure 2

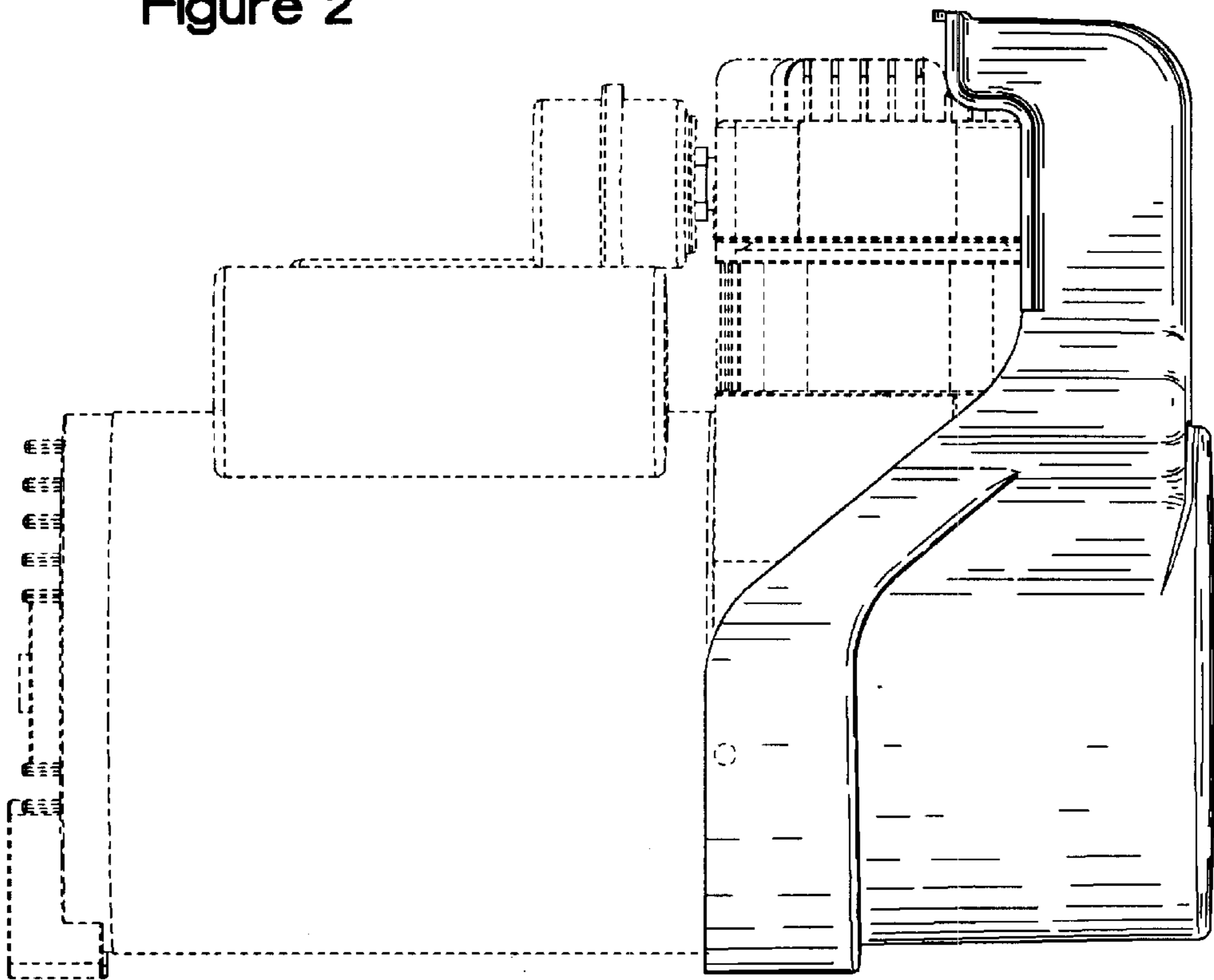


Figure 3

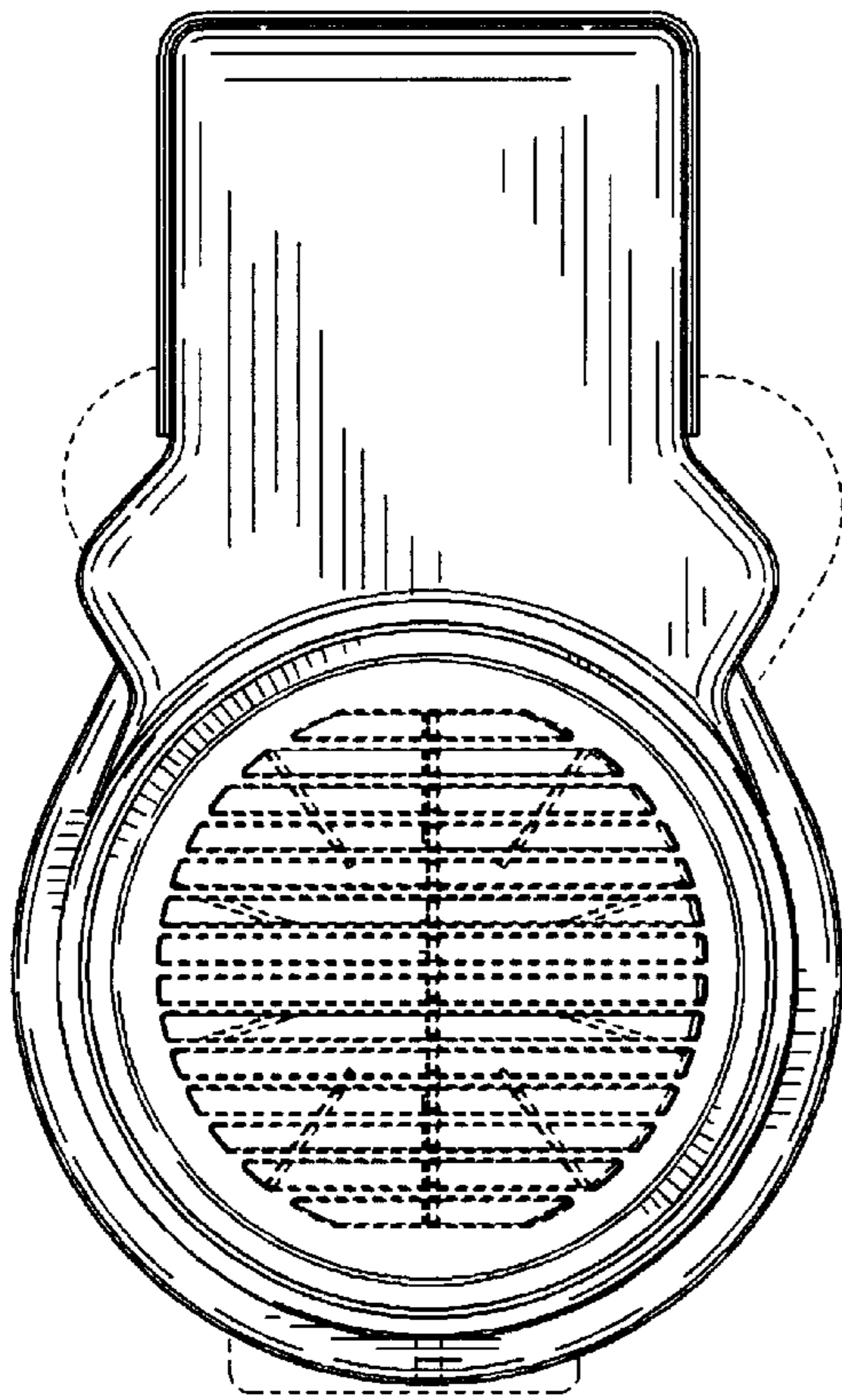


Figure 4

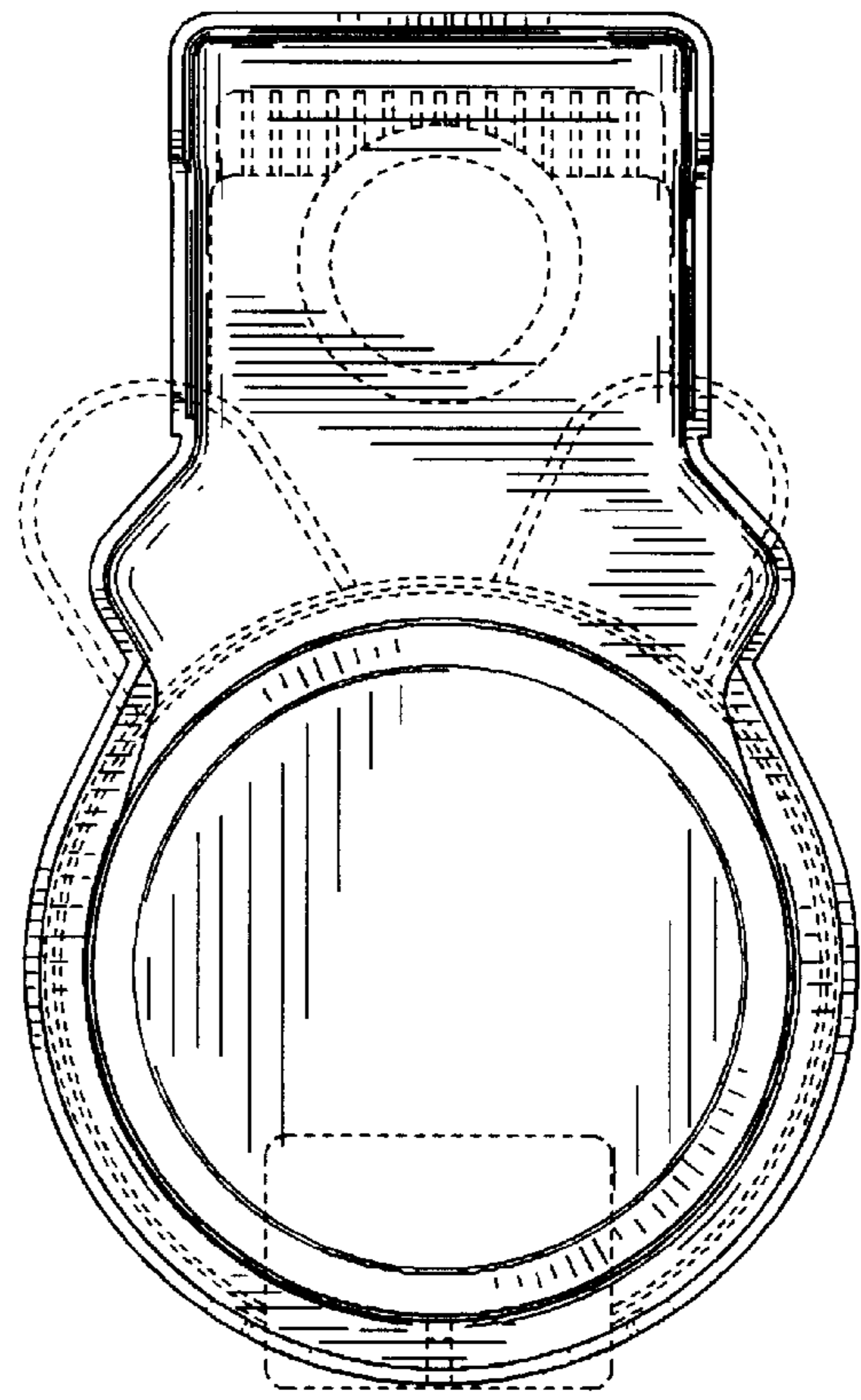


Figure 5

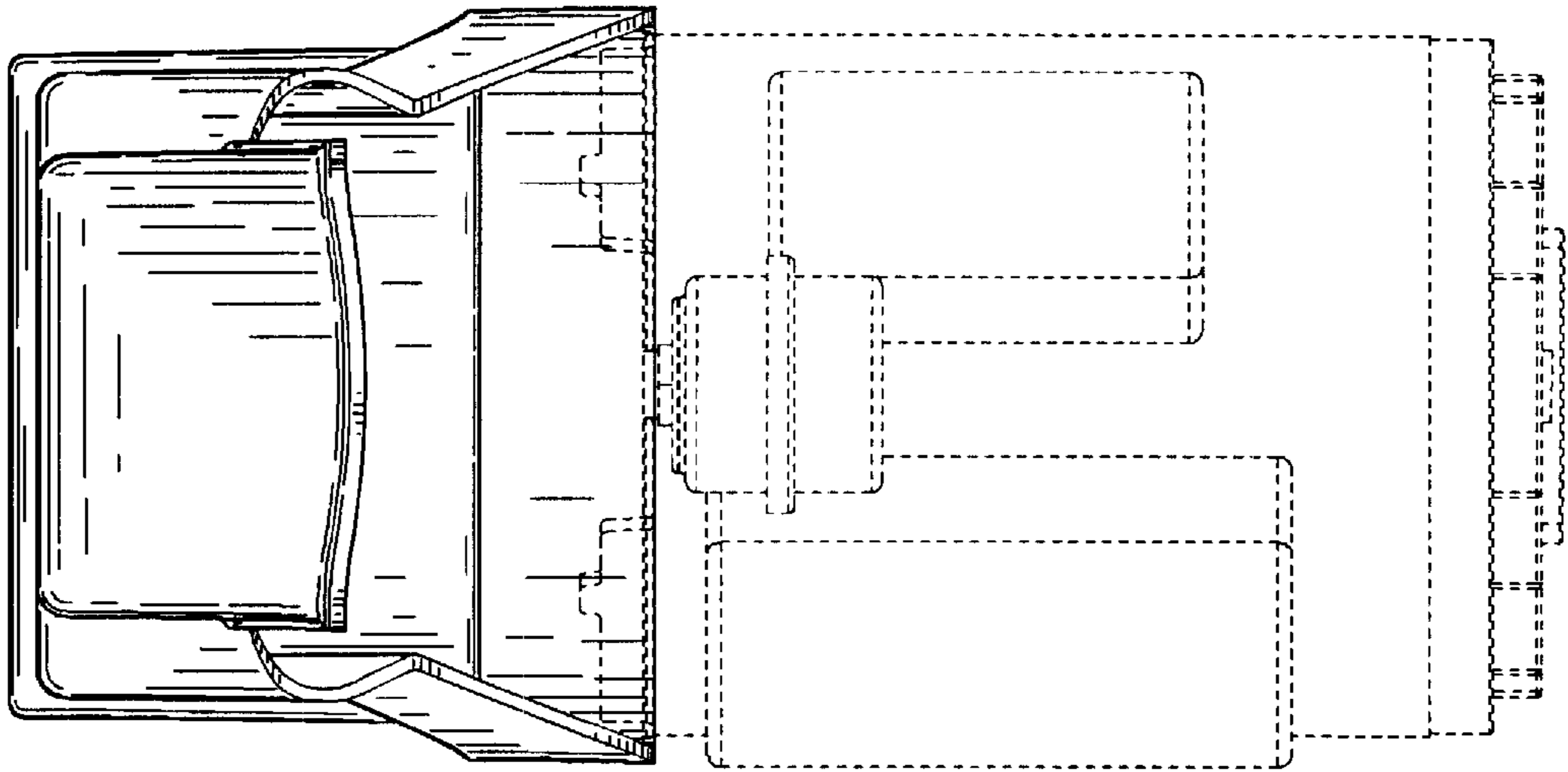


Figure 6

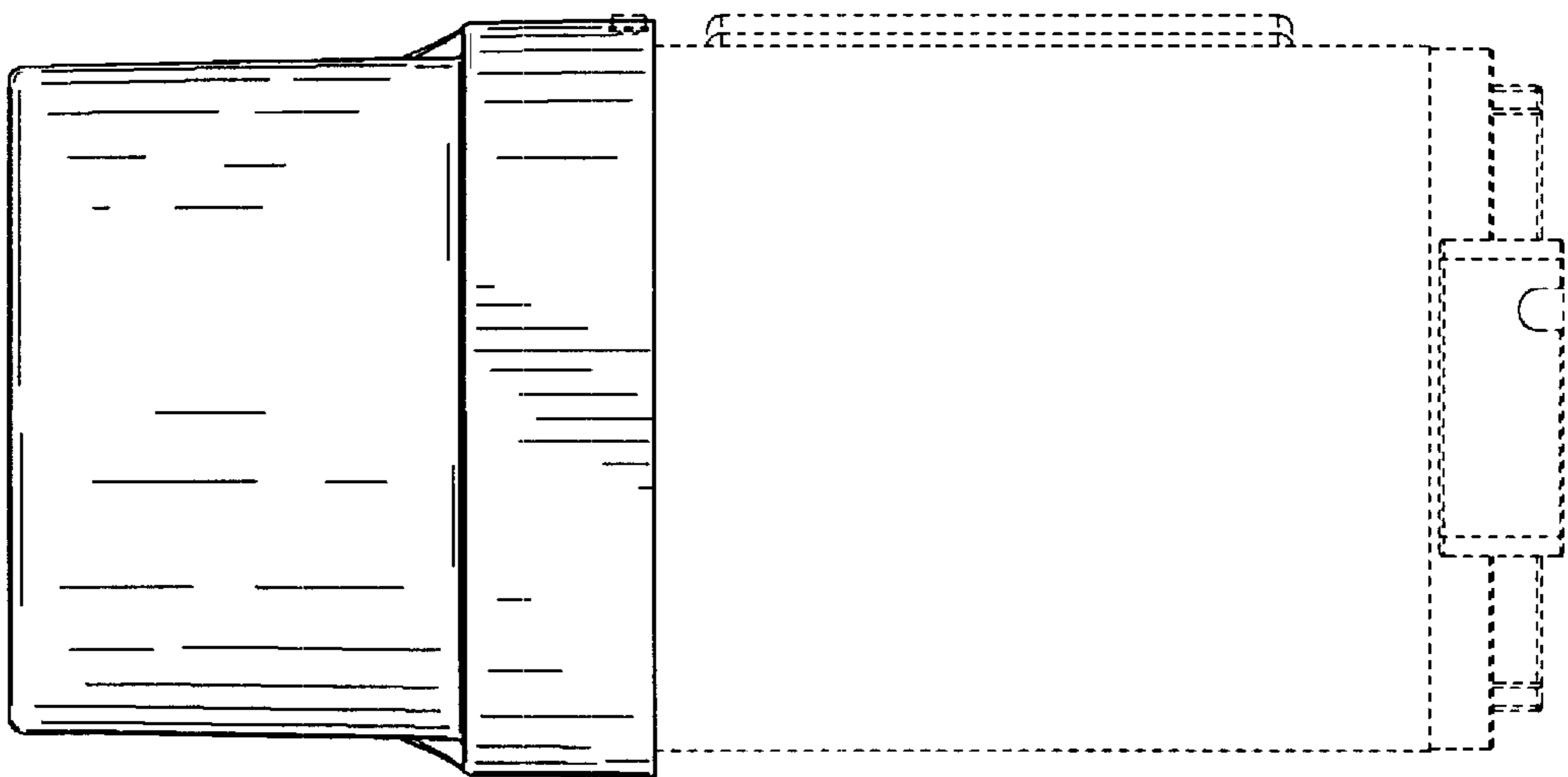


Figure 7

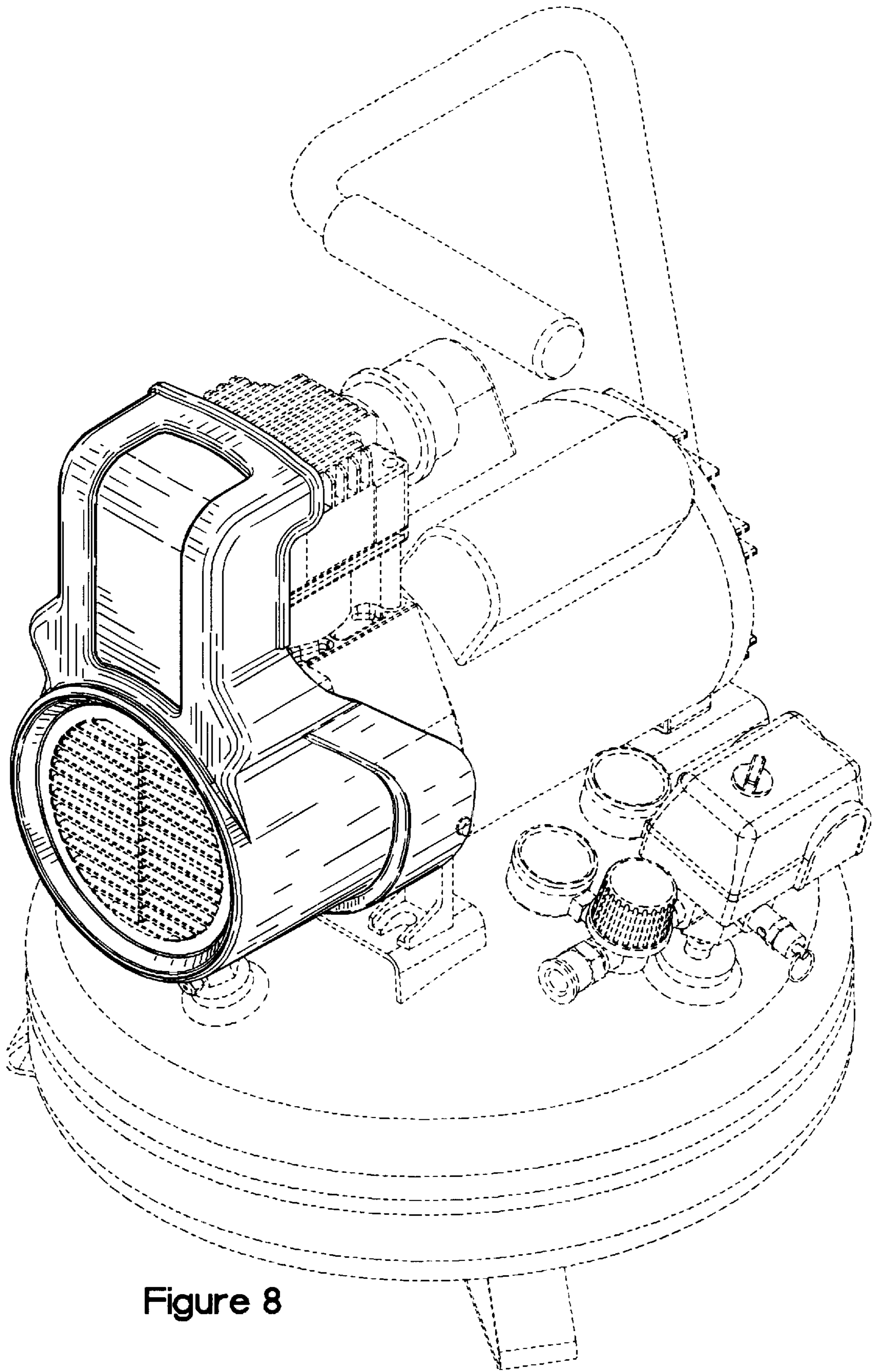


Figure 8

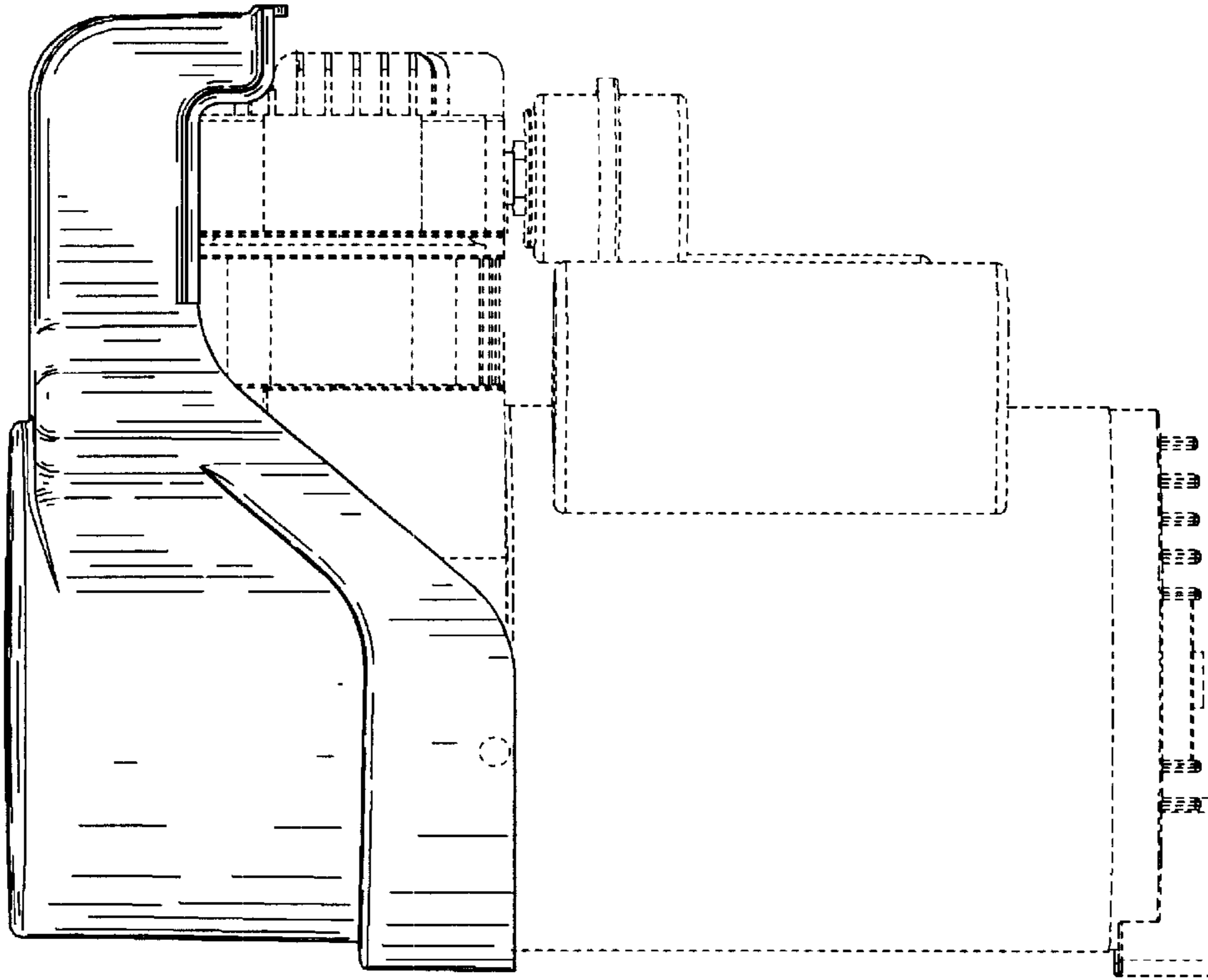


Figure 9

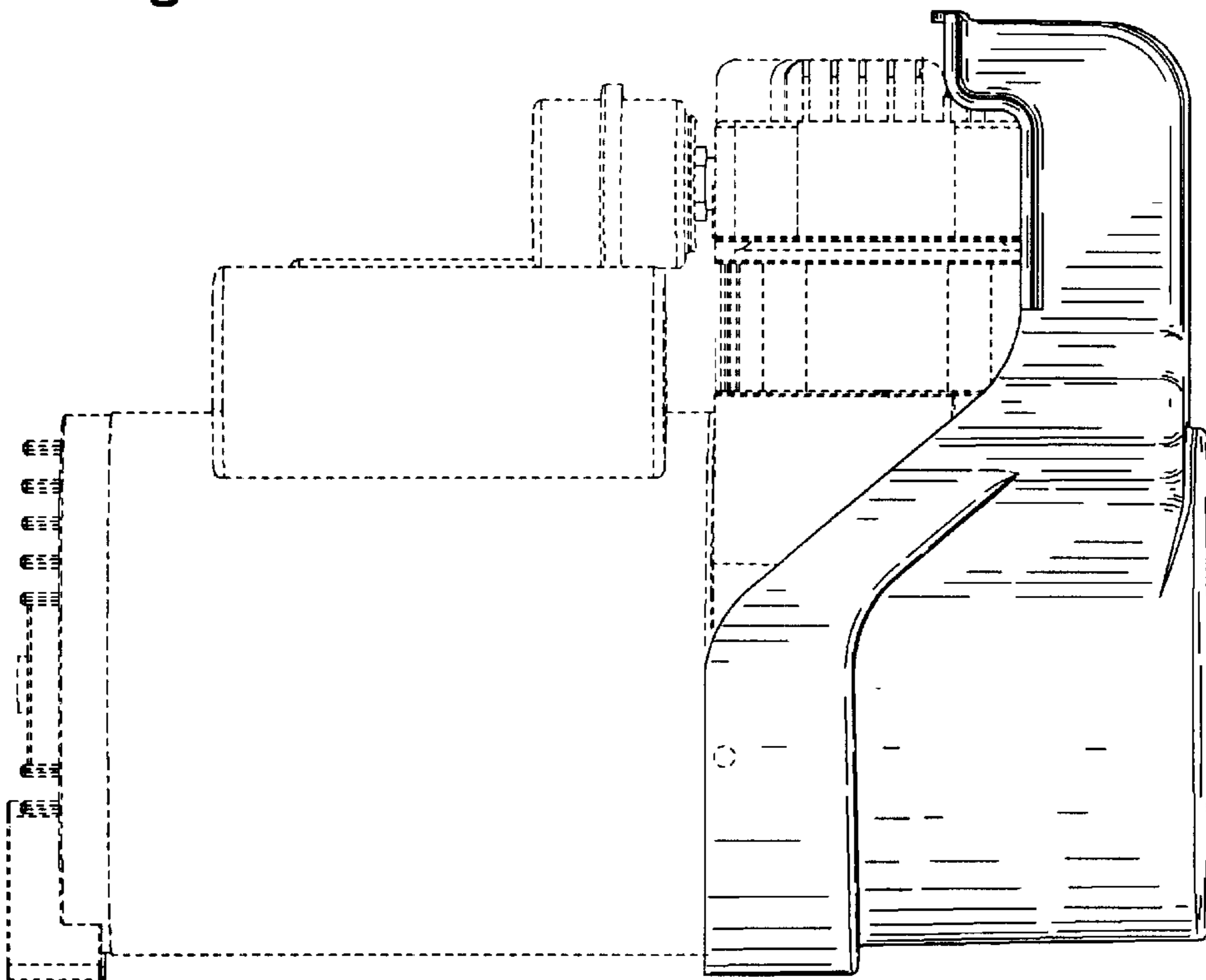


Figure 10

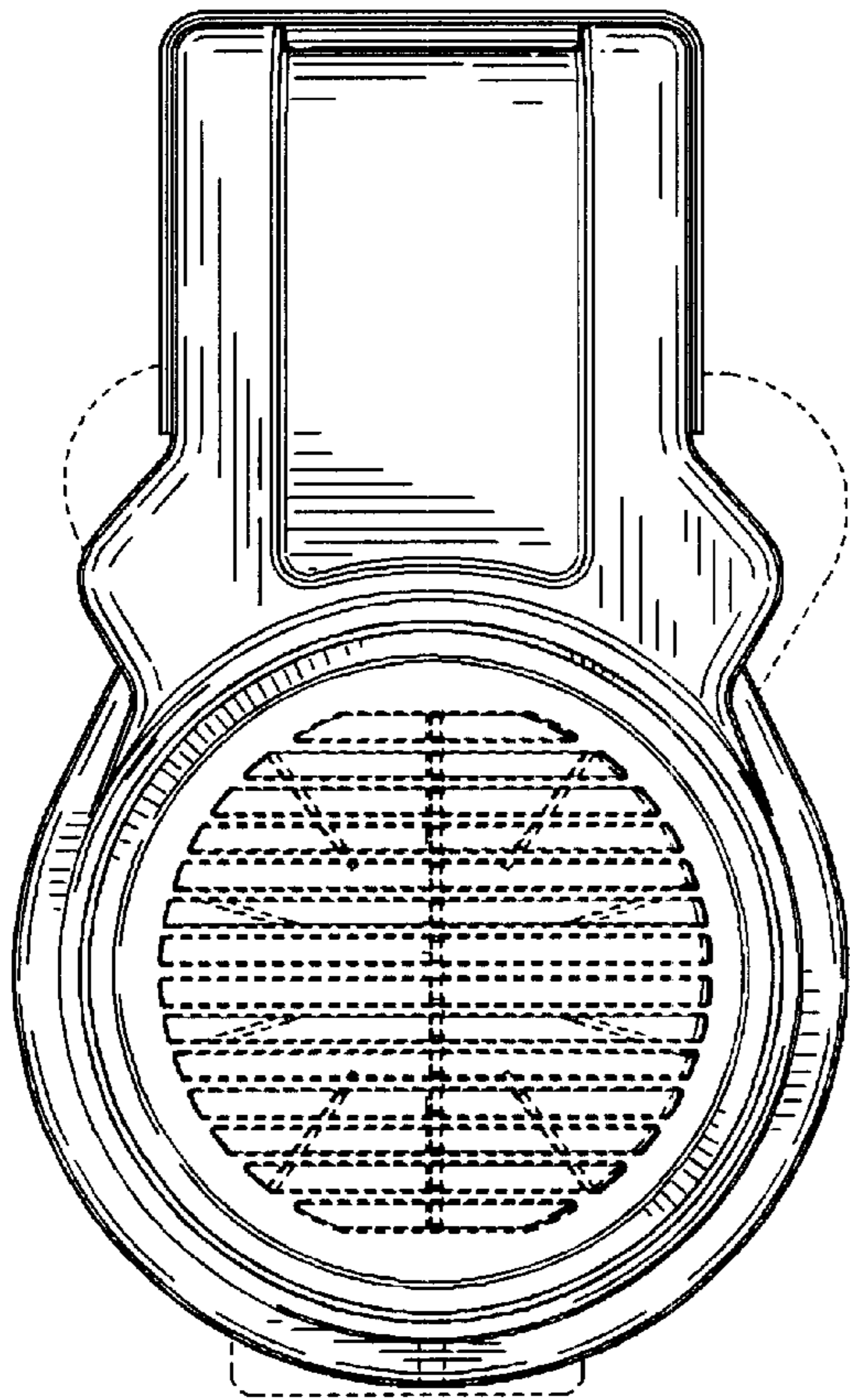


Figure 11

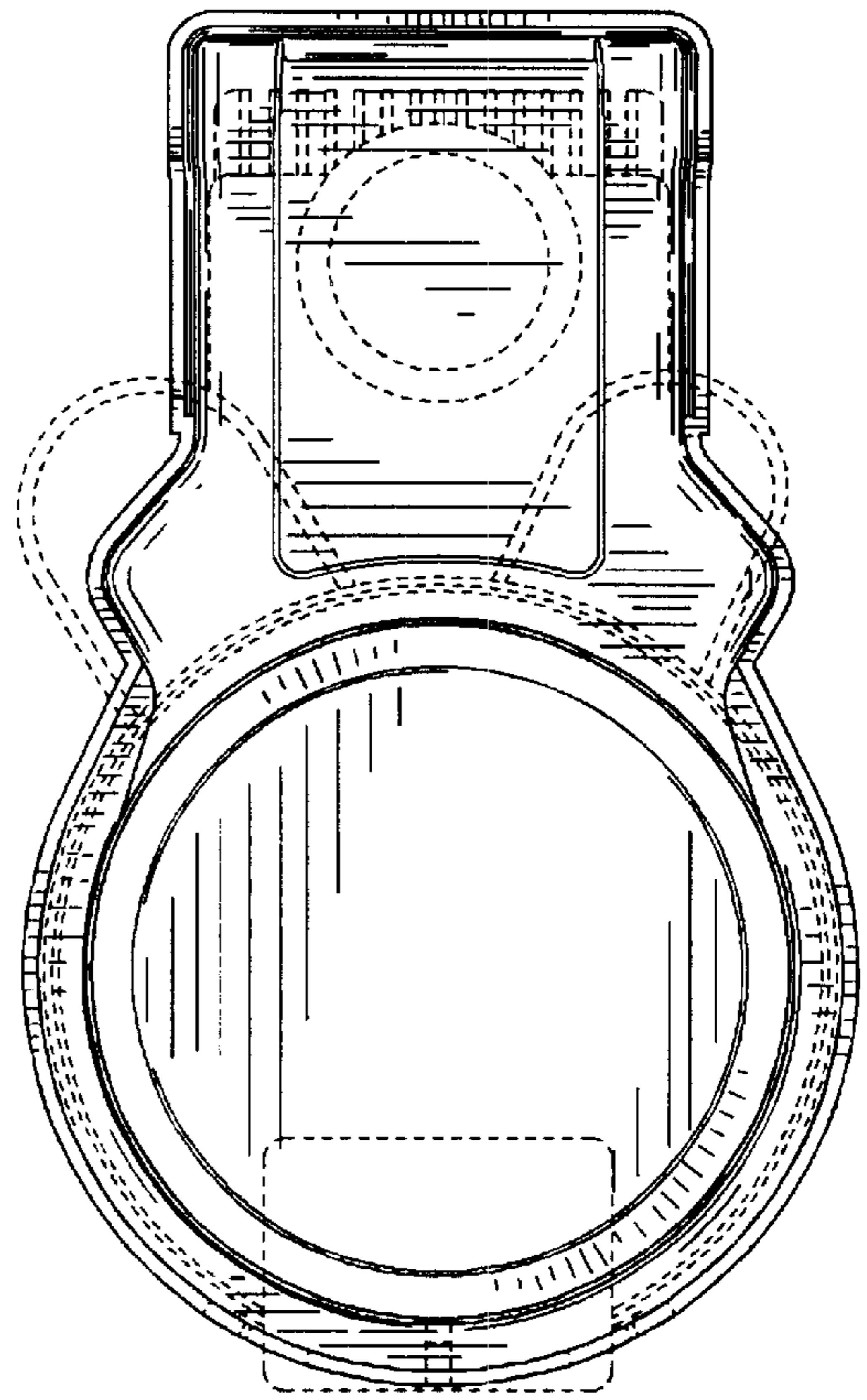


Figure 12

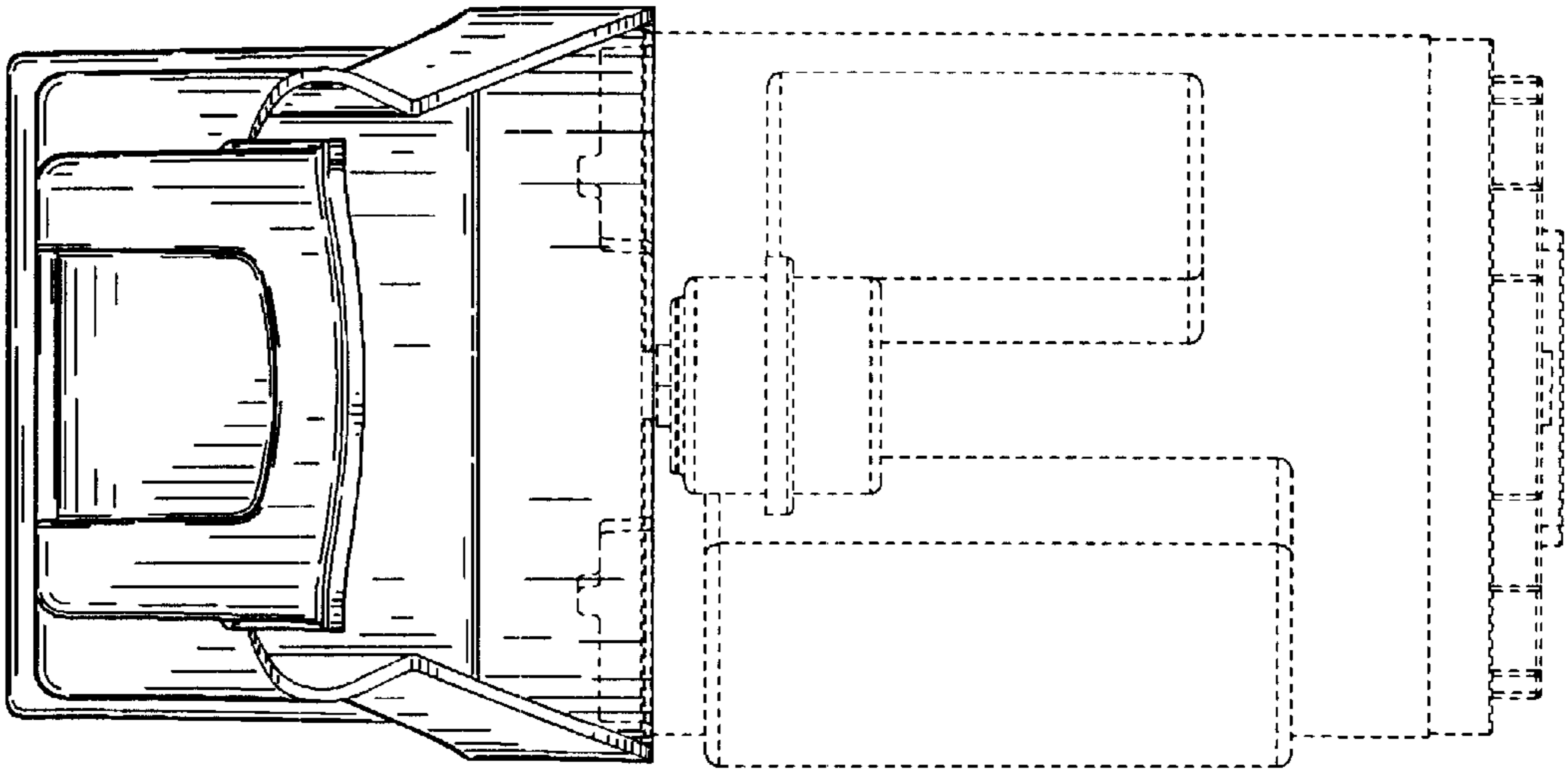


Figure 13

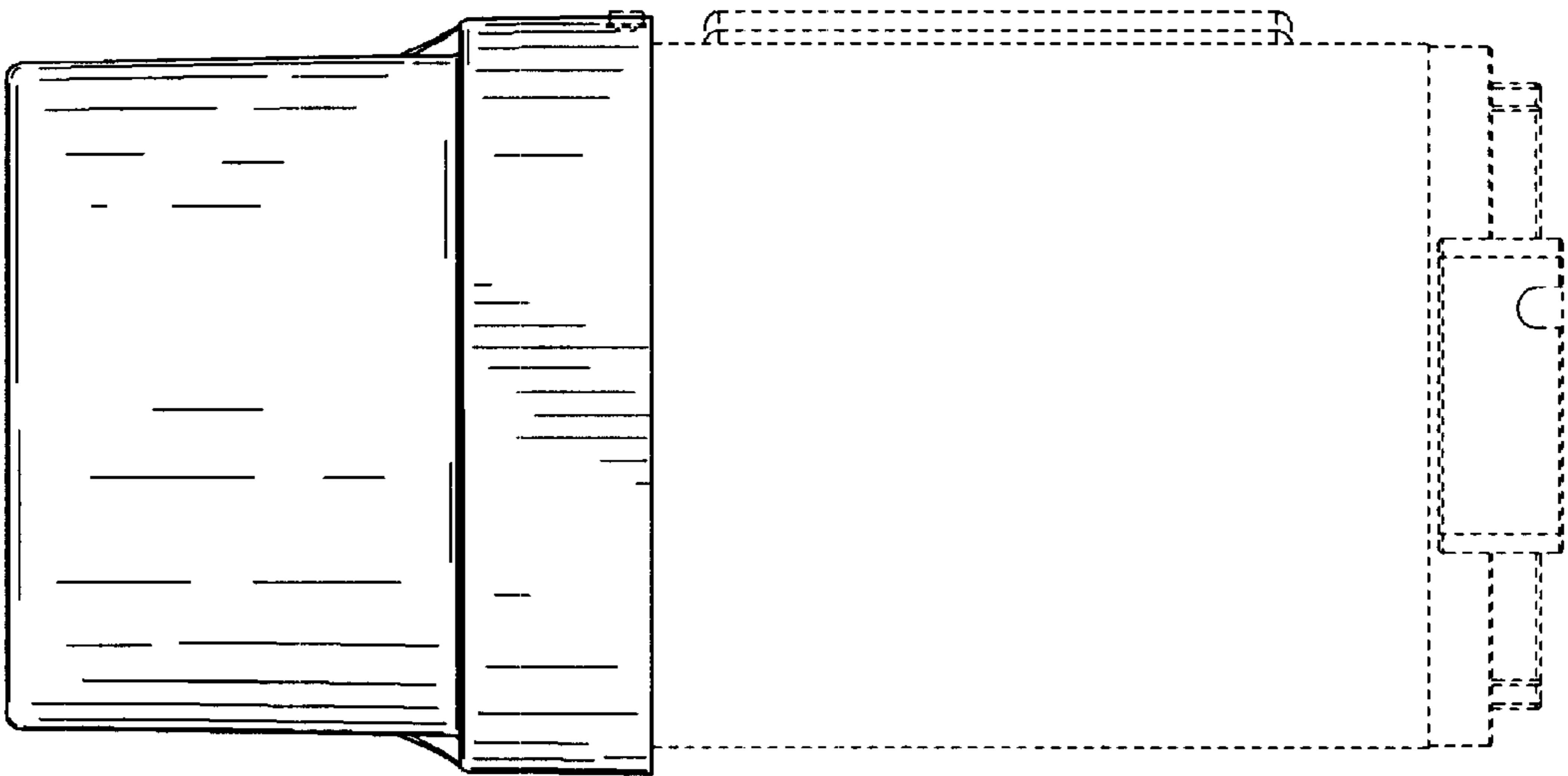


Figure 14