



US00D478094S

(12) **United States Design Patent**  
**Scarth et al.**

(10) **Patent No.:** **US D478,094 S**

(45) **Date of Patent:** **\*\* Aug. 5, 2003**

(54) **AIR INFLATOR**

D422,602 S \* 4/2000 Poon ..... D15/7  
D428,020 S 7/2000 Bonzer

(75) Inventors: **Brian M. Scarth**, Fairfield, OH (US);  
**Gary S. Bass**, Independence, KY (US)

\* cited by examiner

(73) Assignee: **Campbell Hausfeld/Scott Fetzer Company**, Harrison, OH (US)

*Primary Examiner*—Ralf Seifert  
(74) *Attorney, Agent, or Firm*—Jones Day

(\*\*) Term: **14 Years**

(57) **CLAIM**

(21) Appl. No.: **29/166,108**

We claim the ornamental design for an air inflator, as shown and described.

(22) Filed: **Aug. 22, 2002**

**DESCRIPTION**

(51) **LOC (7) Cl.** ..... **15-02**

(52) **U.S. Cl.** ..... **D15/9**

(58) **Field of Search** ..... D15/7-9; 417/234,  
417/229, 321, 410-411, 265, 415, 405

FIG. 1 is a perspective view of an air inflator comprising a first embodiment of the ornamental design of the present invention;

FIG. 2 is a different perspective view of the air inflator of FIG. 1;

FIG. 3 is a side view of the air inflator of FIG. 1;

FIG. 4 is an opposite side view of the air inflator of FIG. 1;

FIG. 5 is a top view of the air inflator of FIG. 1;

FIG. 6 is a bottom view of the air inflator of FIG. 1;

FIG. 7 is a front view of the air inflator of FIG. 1; and,

FIG. 8 is a rear view of the air inflator of FIG. 1.

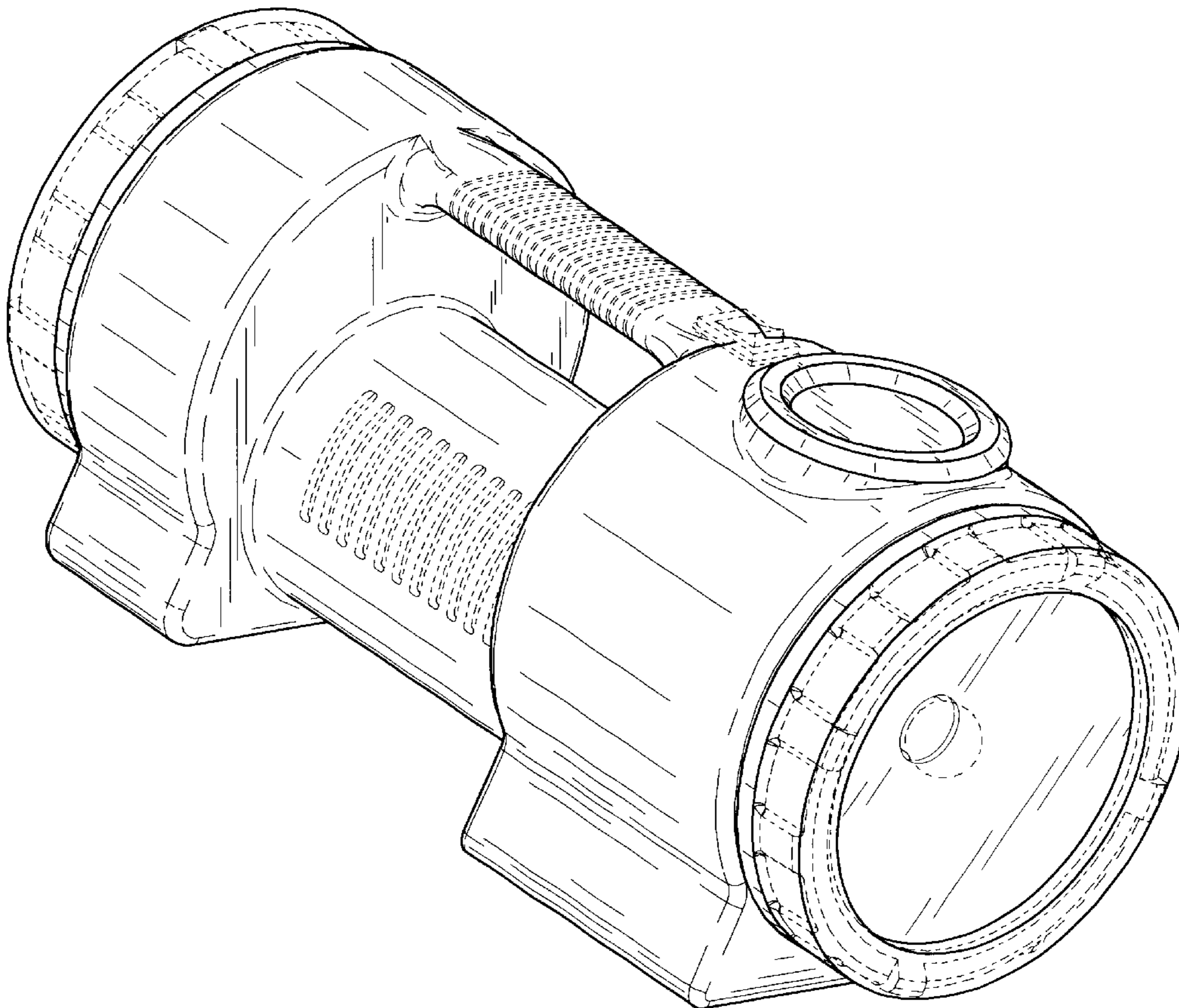
The broken line showings of FIGS. 1-16 are for illustrative purposes only and form no part of the claimed design.

(56) **References Cited**

**U.S. PATENT DOCUMENTS**

D328,305 S	7/1992	Wong	
D340,458 S	10/1993	Wang	
D340,726 S	10/1993	Wang	
D382,883 S	* 8/1997	Breitzman et al. ....	D15/9
D407,412 S	* 3/1999	Wang .....	D15/9
D407,413 S	* 3/1999	Wang .....	D15/9
D412,174 S	* 7/1999	Faulkner et al. ....	D15/9

**1 Claim, 4 Drawing Sheets**



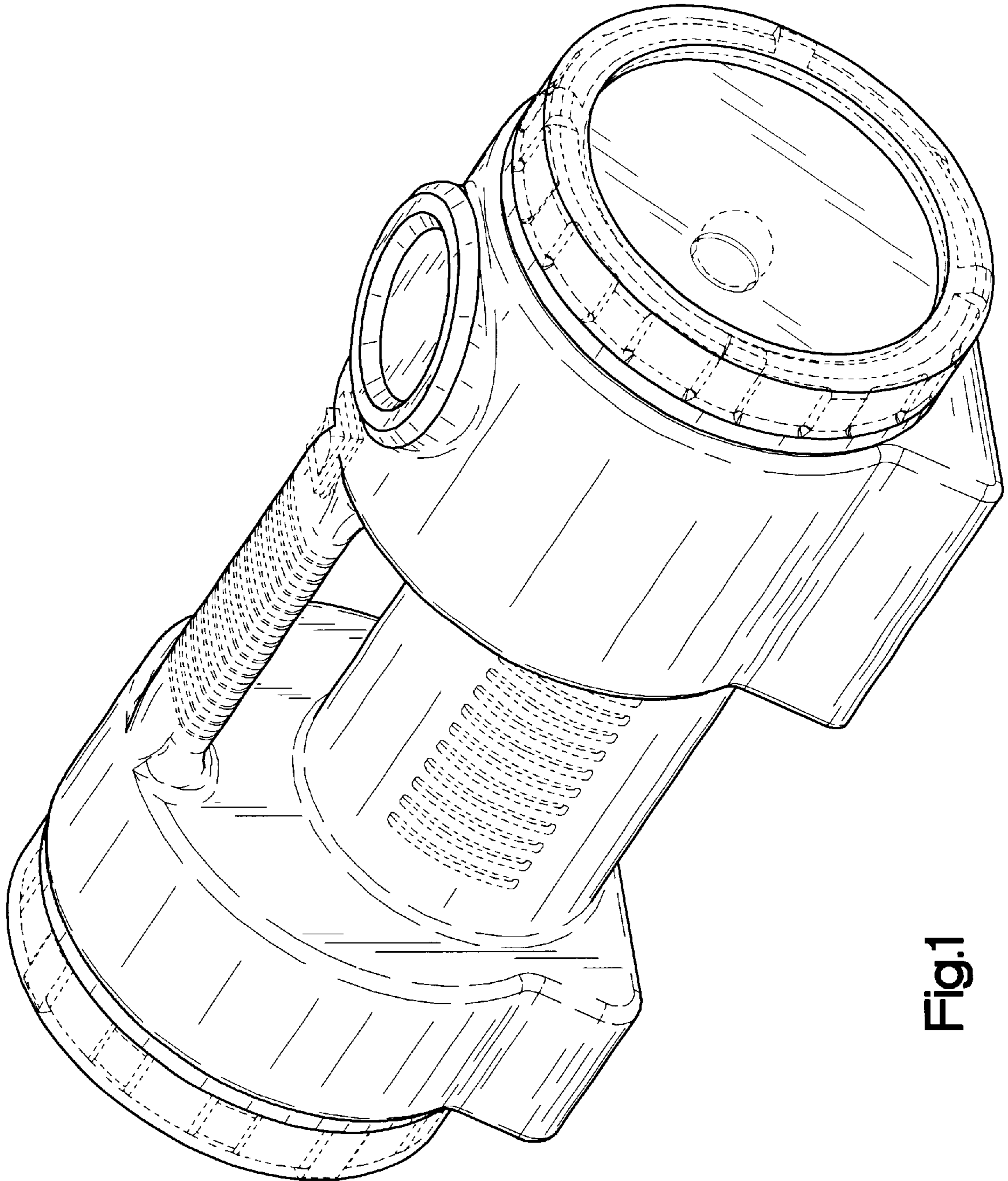


Fig.1



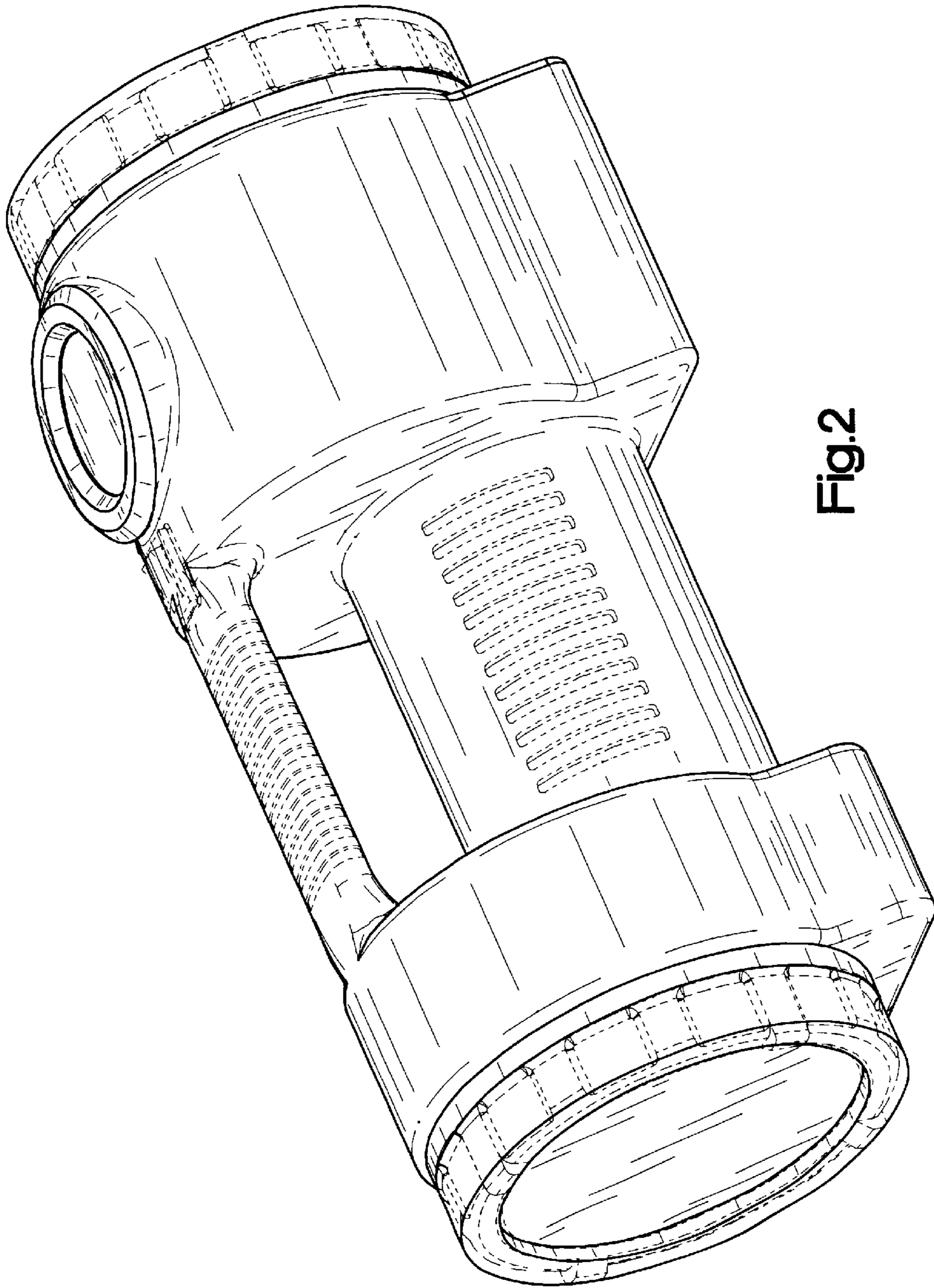


Fig.2

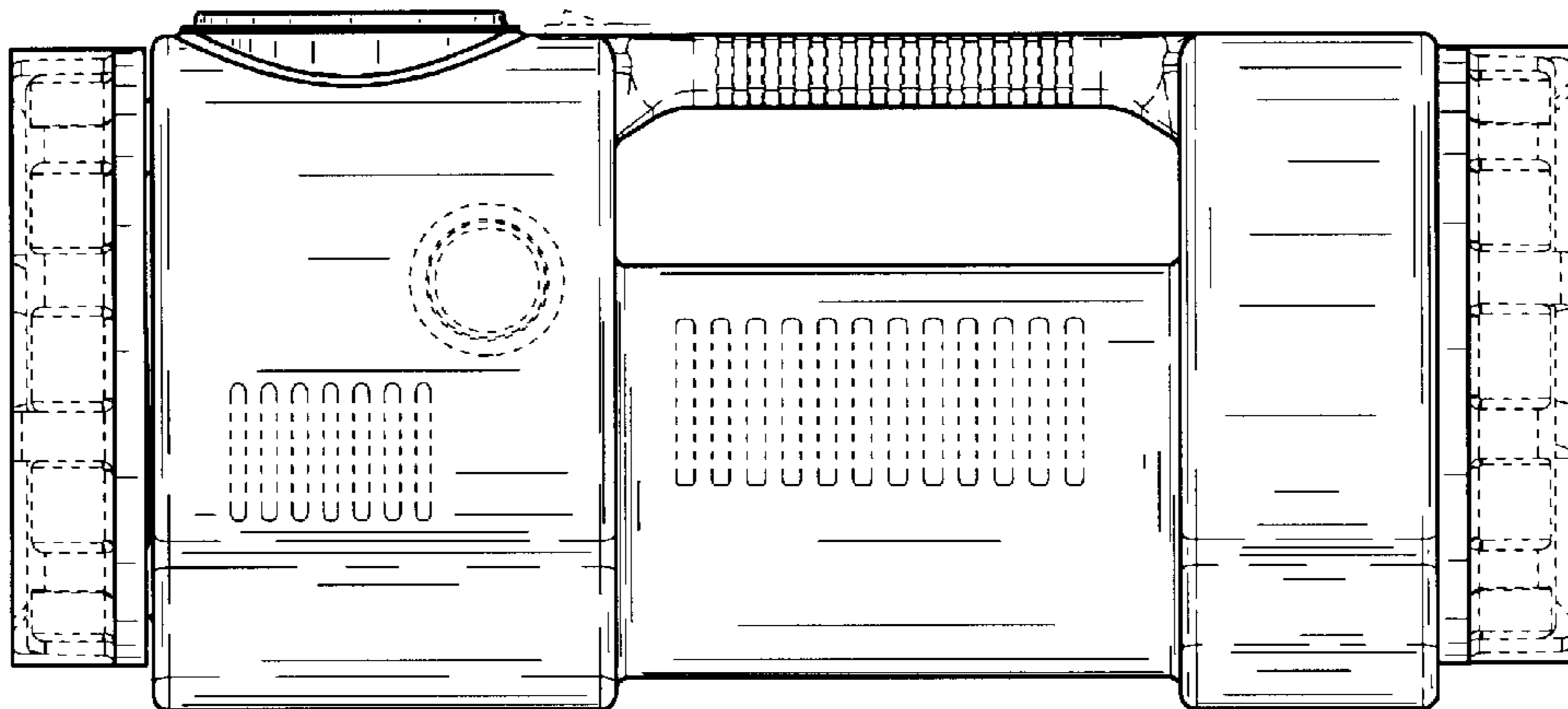


Fig.3

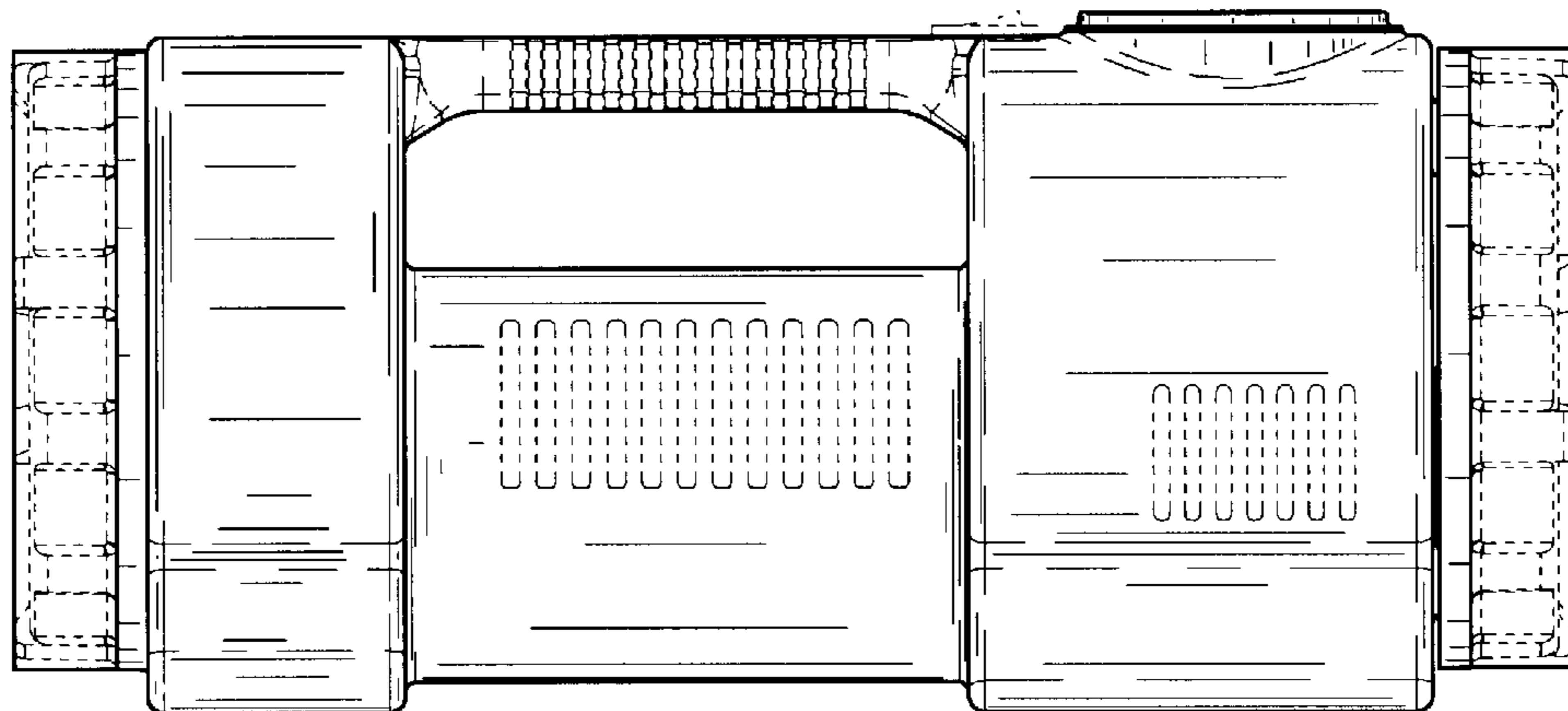


Fig.4

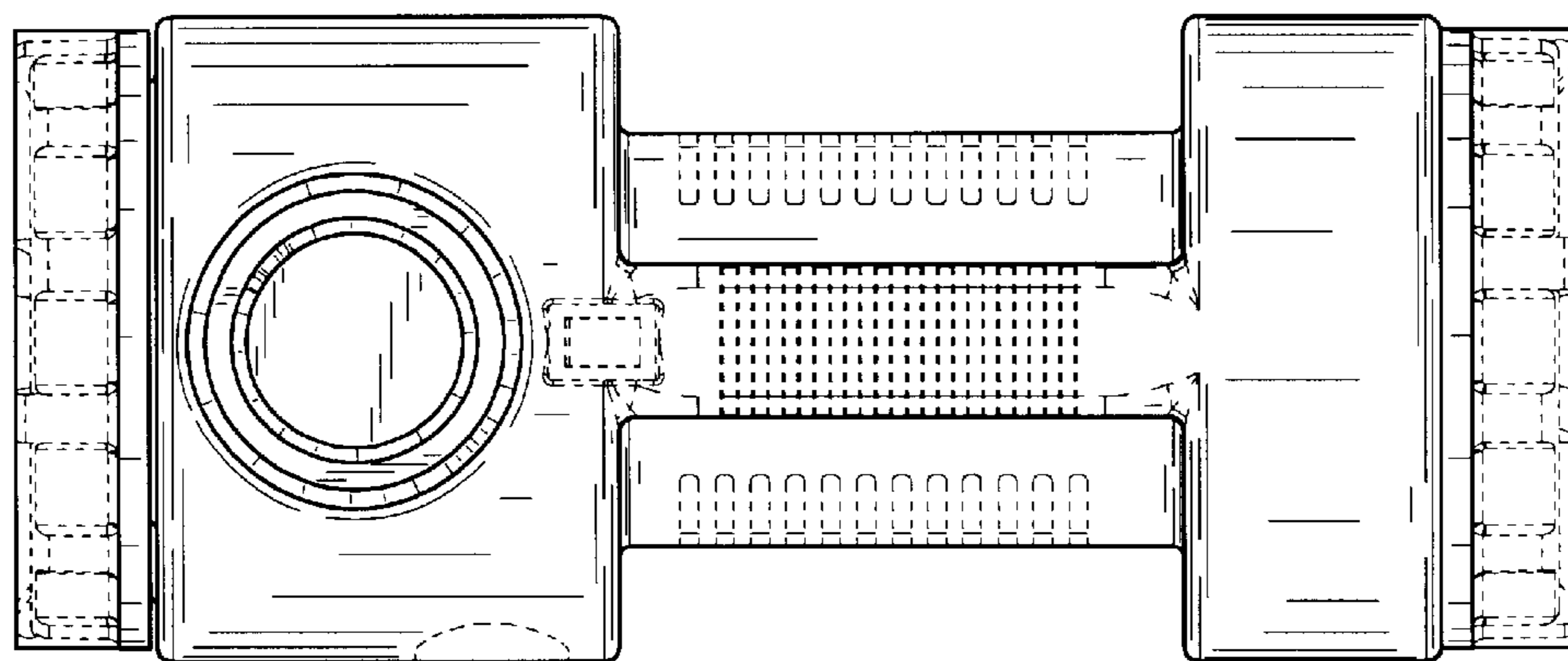


Fig.5

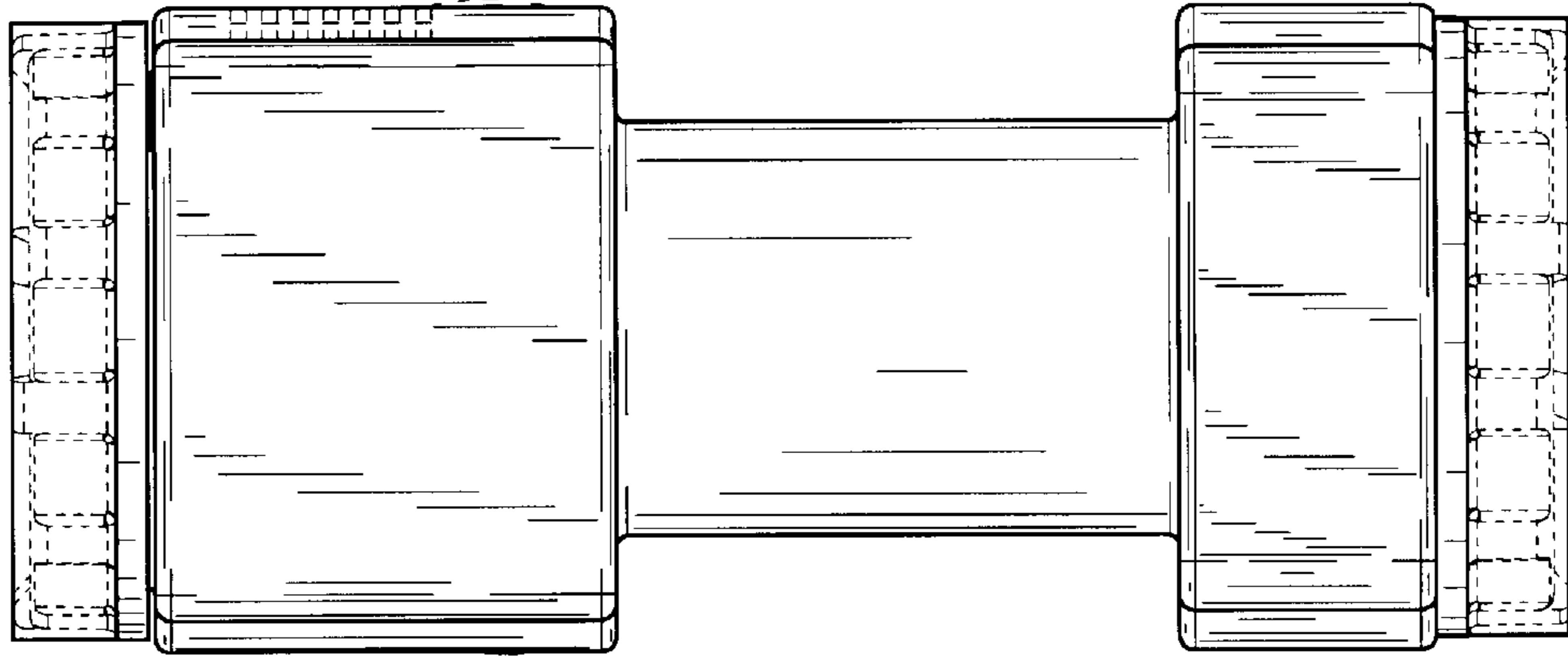


Fig.6

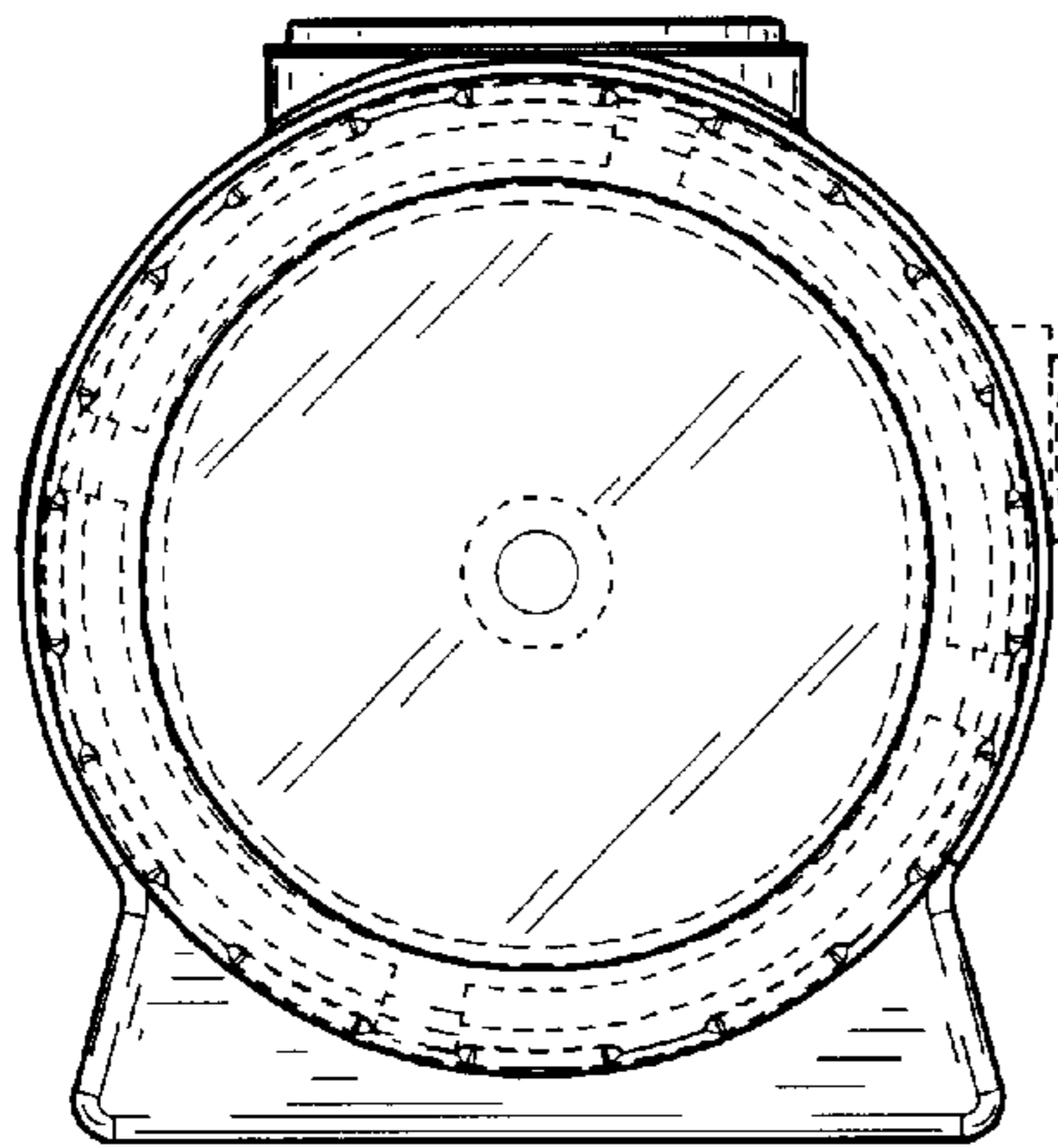


Fig.7

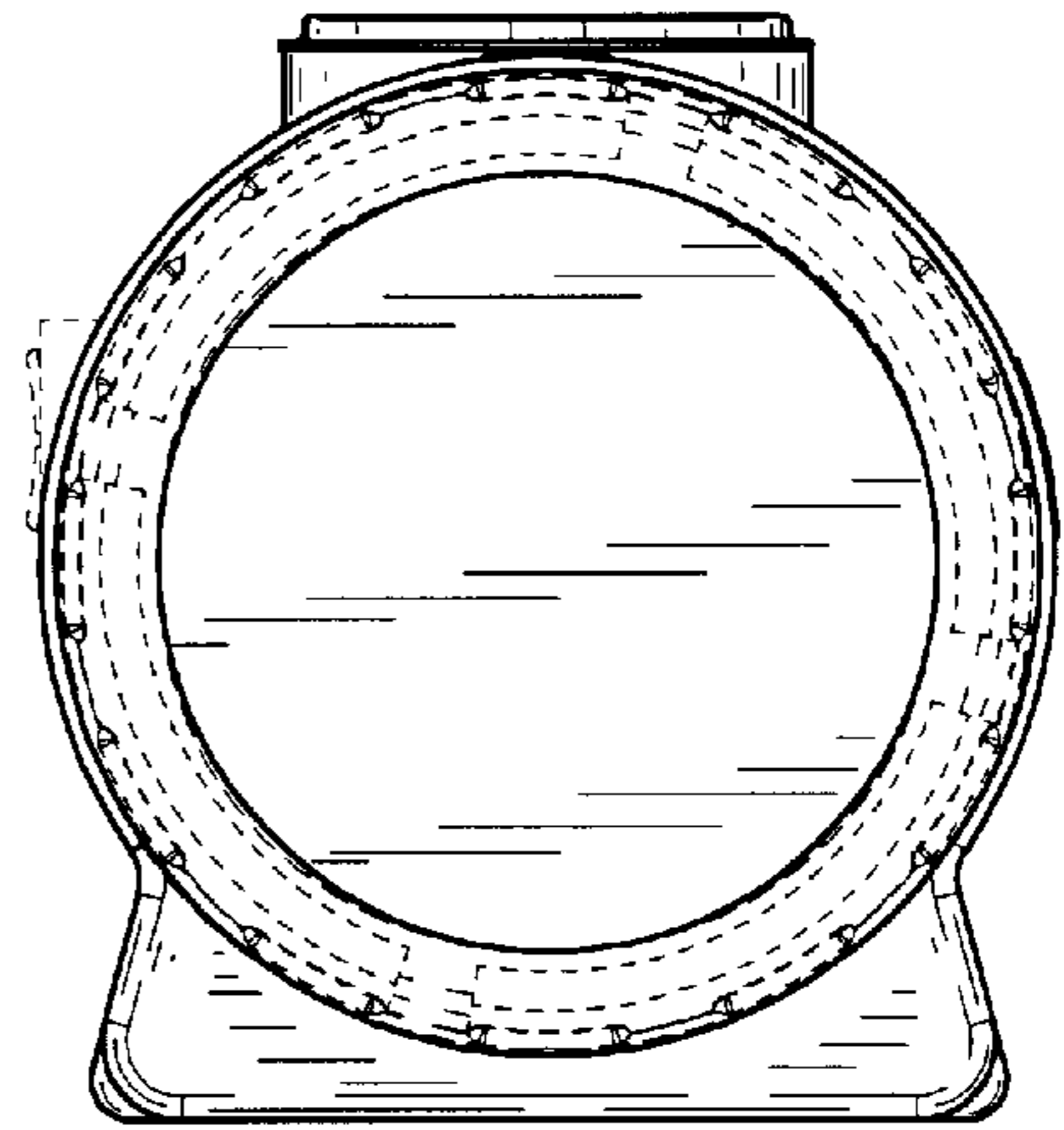


Fig.8