



US00D478088S

(12) **United States Design Patent**  
**Hamouz**

(10) **Patent No.:** **US D478,088 S**

(45) **Date of Patent:** **\*\* Aug. 5, 2003**

(54) **TABLE TOP STAND**

(75) **Inventor:** **Michael G. Hamouz**, Villa Park, IL (US)

(73) **Assignee:** **Peerless Industries, Inc.**, Melrose Park, IL (US)

(\*\*) **Term:** **14 Years**

(21) **Appl. No.:** **29/168,868**

(22) **Filed:** **Oct. 10, 2002**

(51) **LOC (7) Cl.** ..... **14-02**

(52) **U.S. Cl.** ..... **D14/451**

(58) **Field of Search** ..... D14/432, 433, D14/439, 447, 448, 451; 248/278.1, 346.01, 346.02, 917-924; 361/679-685; D6/449, 491, 445, 396, 512; 200/5 R, 5 A, 6 R, 6 A

(56) **References Cited**

**U.S. PATENT DOCUMENTS**

4,471,931 A	9/1984	Covey et al. ....	248/125
D394,248 S	5/1998	Duan .....	D14/113
5,812,368 A	9/1998	Chen et al. ....	361/681
D401,575 S	11/1998	Chuo .....	D14/113
5,915,658 A	6/1999	Sheng .....	248/346.06
D415,478 S	10/1999	Chuo et al. ....	D14/113

D427,163 S	6/2000	Bergeron Gull et al. ...	D14/114
6,108,195 A	8/2000	Behl et al. ....	361/681
6,131,874 A	10/2000	Vance et al. ....	248/550
6,233,139 B1	5/2001	Hamon .....	361/681
6,366,453 B1	4/2002	Wang et al. ....	361/681
6,378,830 B1	4/2002	Lu .....	248/278.1
6,381,125 B1	4/2002	Mizoguchi et al. ....	361/682
2002/0020792 A1 *	2/2002	Lee .....	248/278.1

\* cited by examiner

*Primary Examiner*—Kay H. Chin

(74) *Attorney, Agent, or Firm*—Foley & Lardner

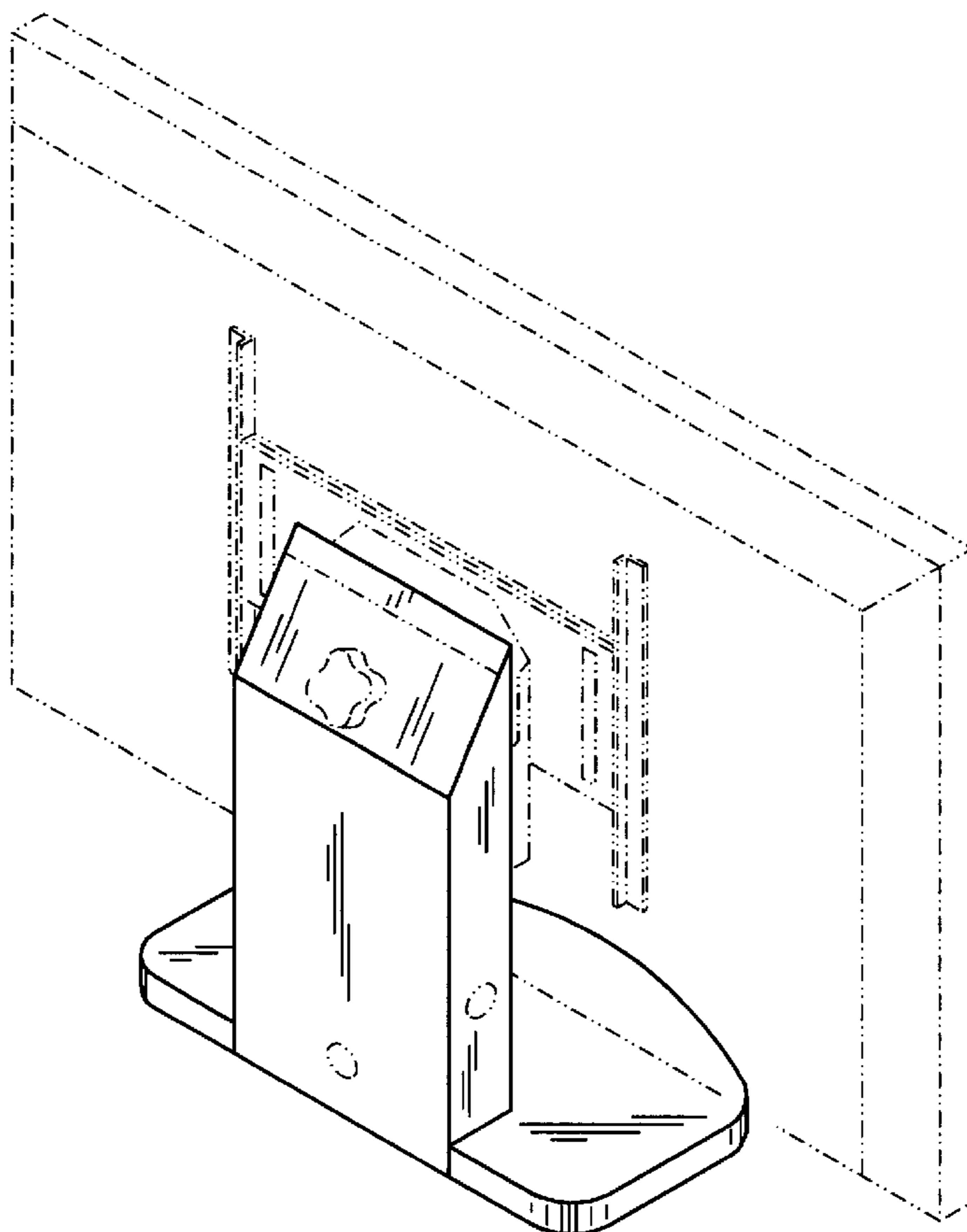
(57) **CLAIM**

The ornamental design for a table top stand, as shown and described.

**DESCRIPTION**

FIG. 1 is a perspective view of a table top stand showing my new design;  
FIG. 2 is a rear view thereof;  
FIG. 3 is a front view thereof;  
FIG. 4 is a side view thereof;  
FIG. 5 is a top plan view thereof; and,  
FIG. 6 is a bottom plan view thereof.  
The broken line portions in all views are for illustrative purposes only and form no part of the claimed design.

**1 Claim, 3 Drawing Sheets**



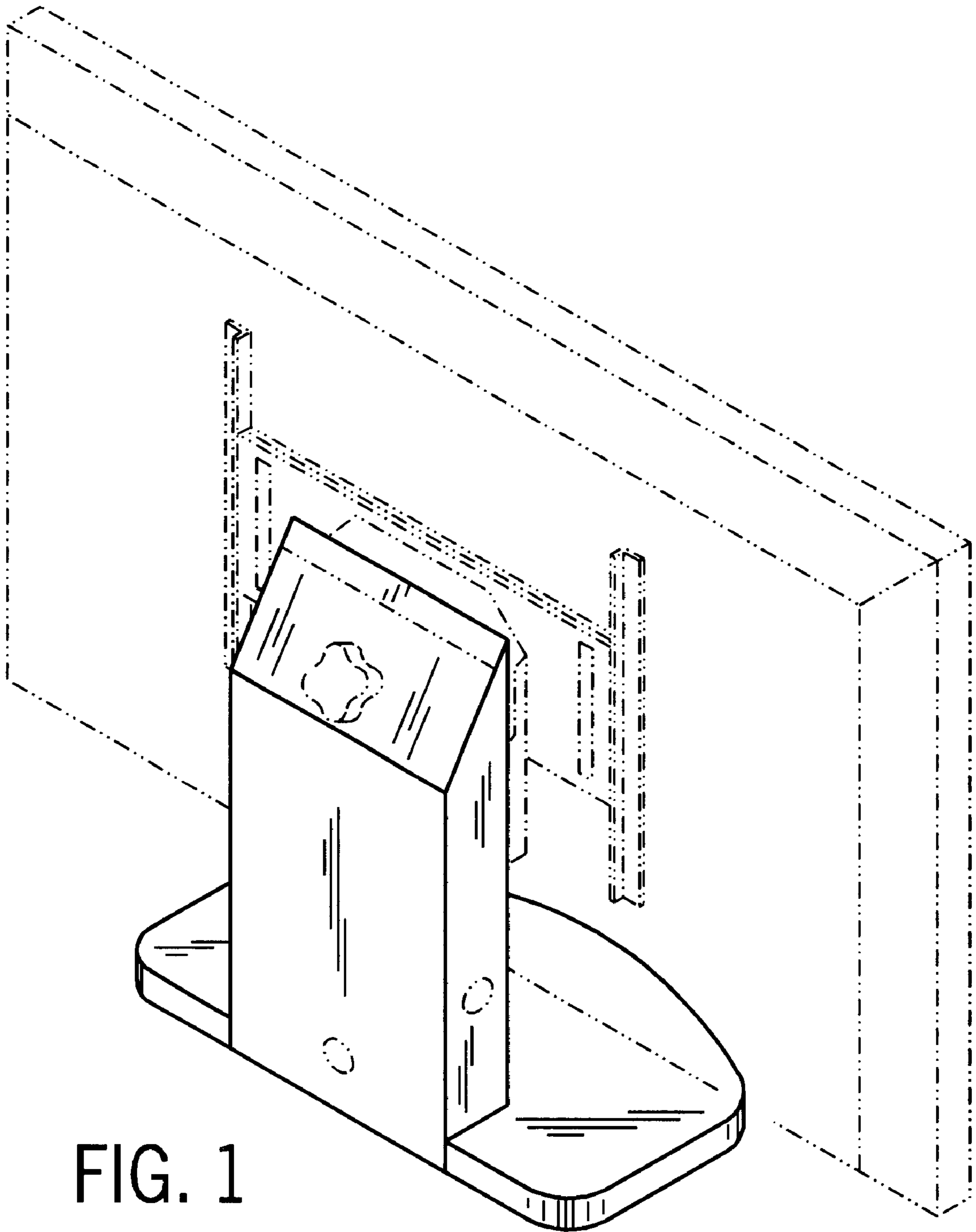


FIG. 1

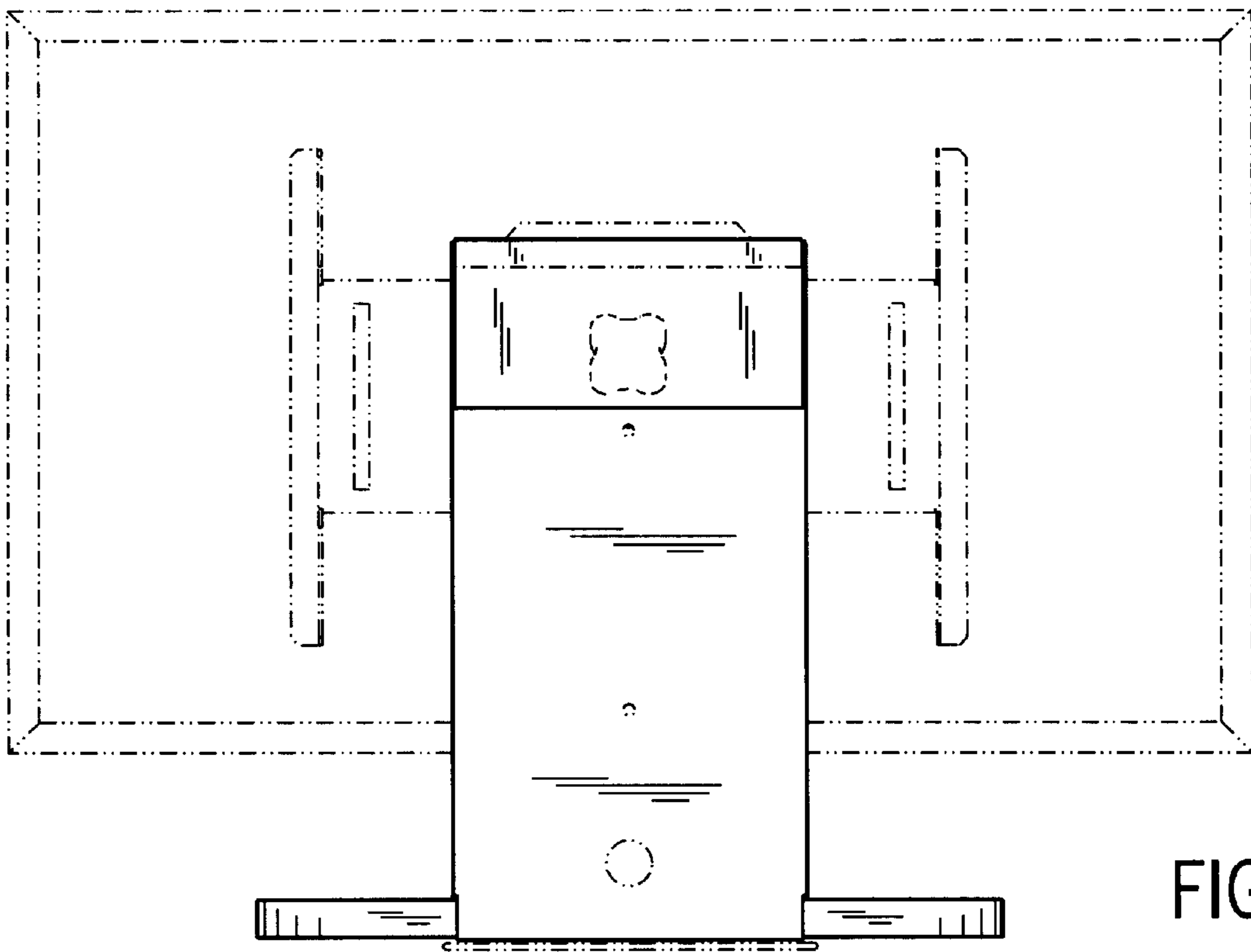


FIG. 2

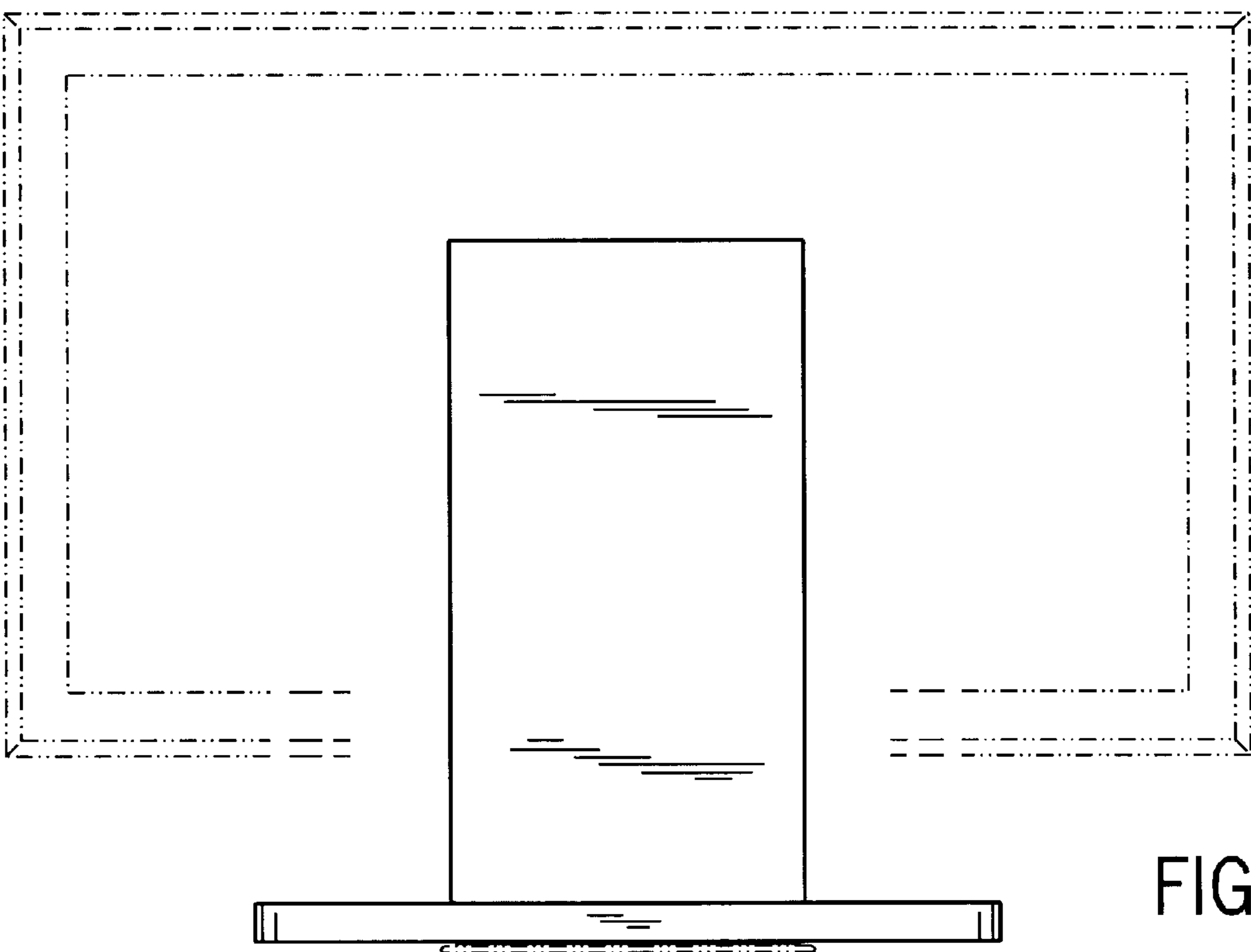


FIG. 3

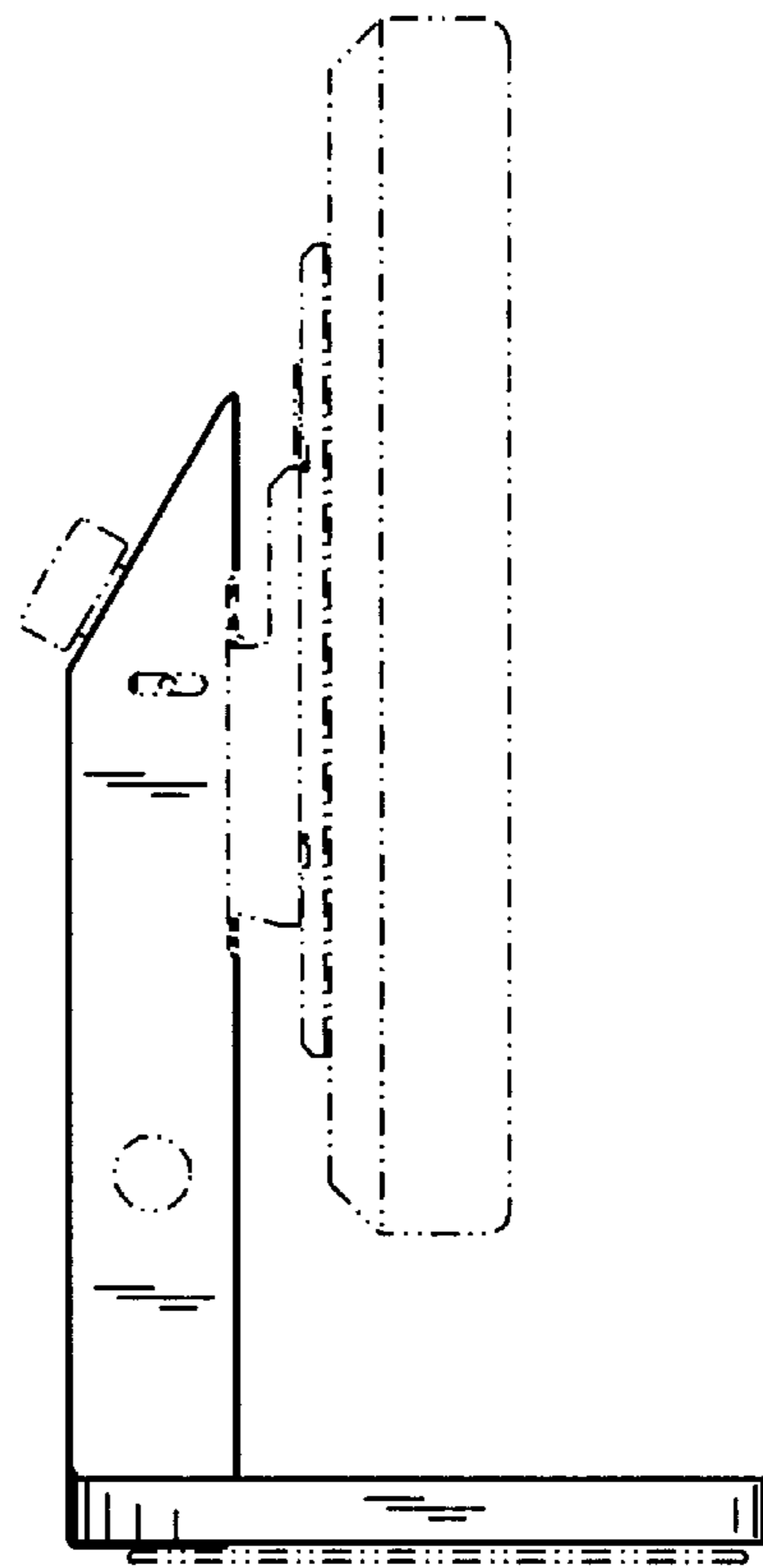


FIG. 4

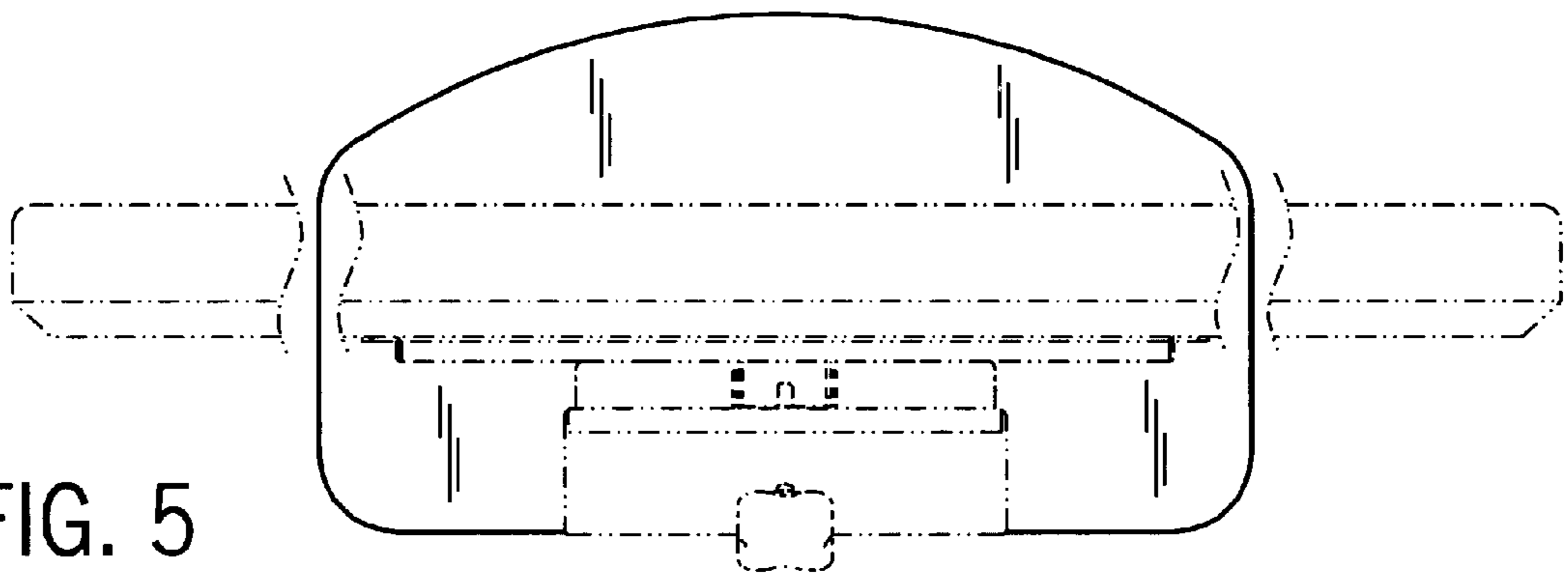


FIG. 5

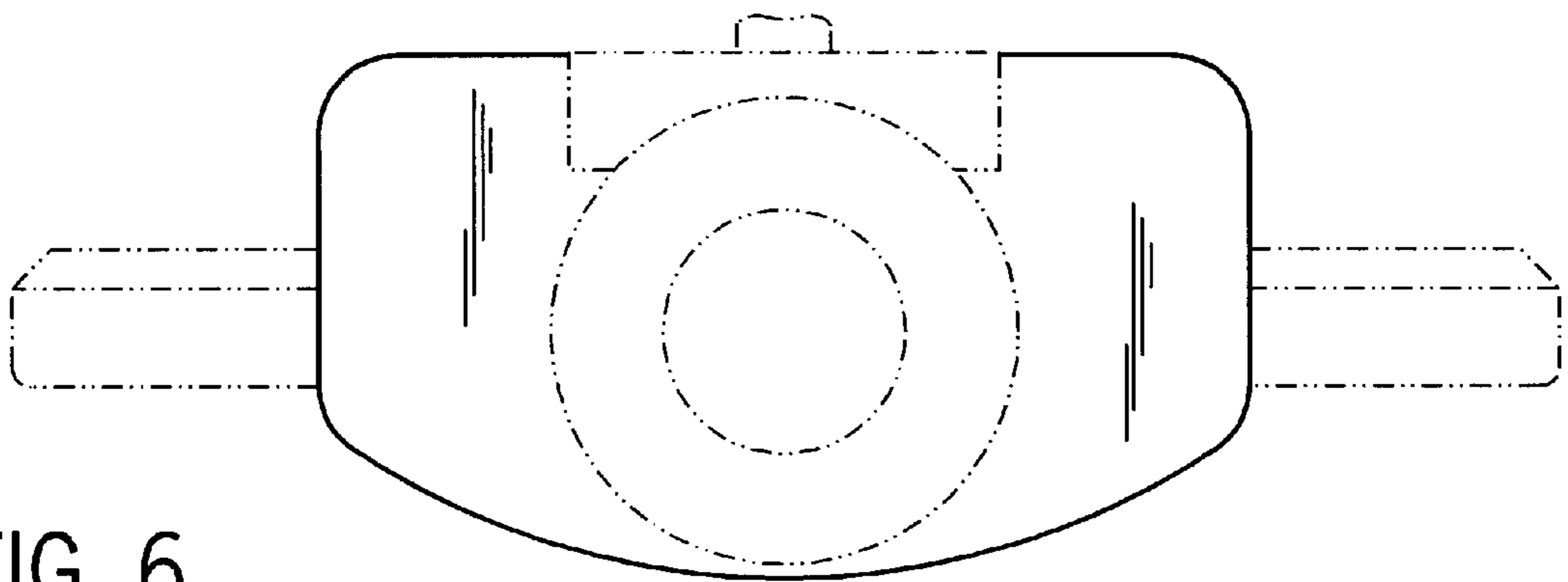


FIG. 6