



US00D478087S

(12) **United States Design Patent**
Aldridge

(10) **Patent No.:** **US D478,087 S**

(45) **Date of Patent:** **** Aug. 5, 2003**

(54) **MEMORY CARD AND CONNECTOR**

(75) **Inventor:** **Ian Edward Aldridge, Hampshire (GB)**

(73) **Assignee:** **Contour Electronics Limited,**
Hampshire (GB)

(**) **Term:** **14 Years**

(21) **Appl. No.:** **29/172,496**

(22) **Filed:** **Dec. 11, 2002**

(30) **Foreign Application Priority Data**

Jul. 2, 2002 (GB) 3004966

(51) **LOC (7) Cl.** **14-02**

(52) **U.S. Cl.** **D14/433; D14/435**

(58) **Field of Search** D14/432, 433,
D14/435; D13/120, 133, 147; 439/65, 295,
441, 660, 862, 152; 361/685, 727; 200/51.09

(56) **References Cited**

U.S. PATENT DOCUMENTS

D413,879 S * 9/1999 Wu D14/436
D425,045 S * 5/2000 Ting D14/438

D450,708 S * 11/2001 Hsu D14/435
D465,495 S * 11/2002 Goto D14/433
2002/0177362 A1 * 11/2002 Chang 439/638

* cited by examiner

Primary Examiner—Kay H. Chin

(74) *Attorney, Agent, or Firm*—George R. McGuire;
Hancock & Estabrook, LLP

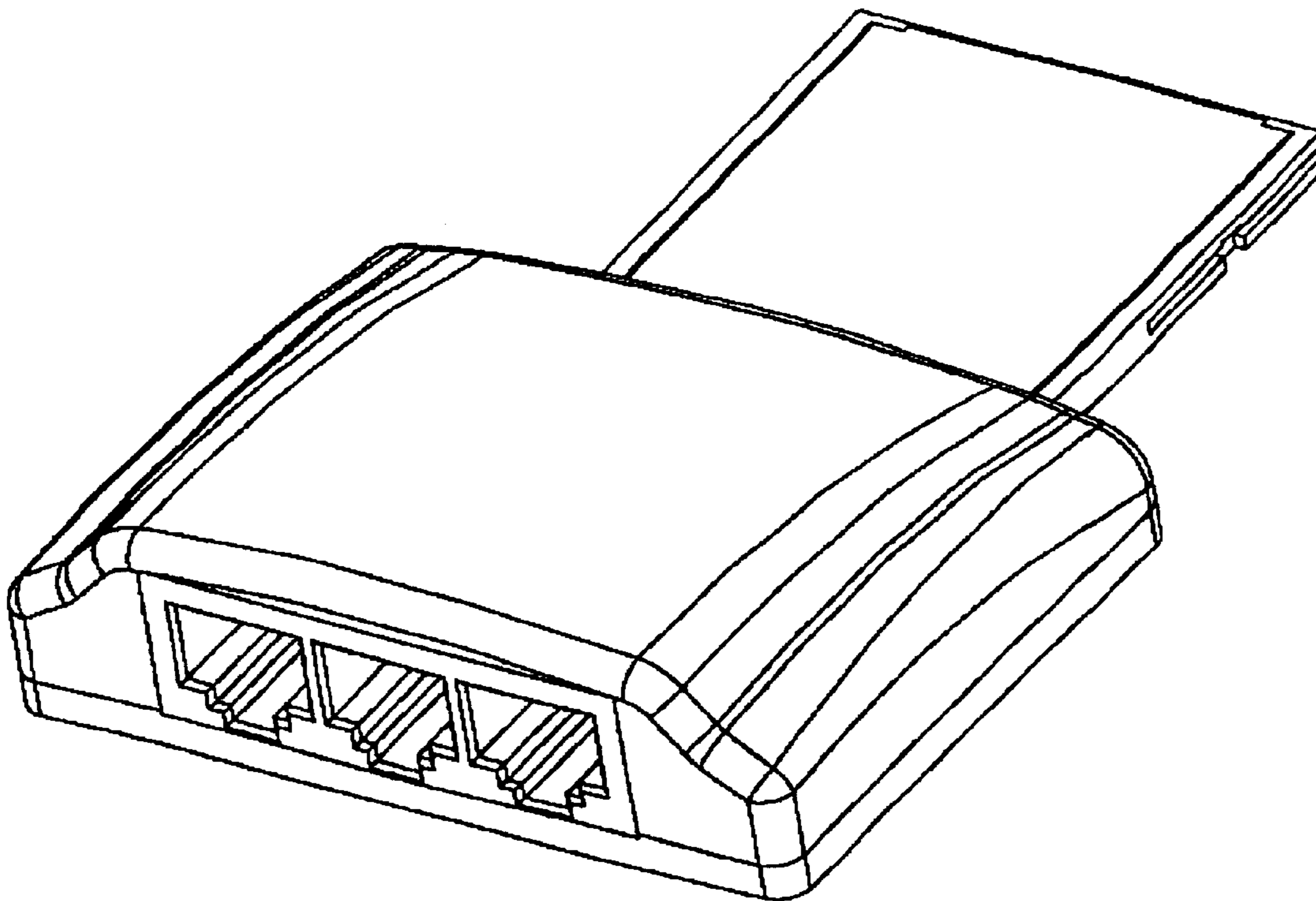
(57) **CLAIM**

The ornamental design for a memory card and connector, as shown and described.

DESCRIPTION

FIG. 1 is a top, front and right side perspective view of a memory card and connector showing my new design;
FIG. 2 is a bottom, front and right side perspective view thereof;
FIG. 3 is a top, rear and left side perspective view thereof;
FIG. 4 is a top, front and left side perspective view thereof;
and,
FIG. 5 is a bottom, rear and right side perspective view thereof.

1 Claim, 3 Drawing Sheets



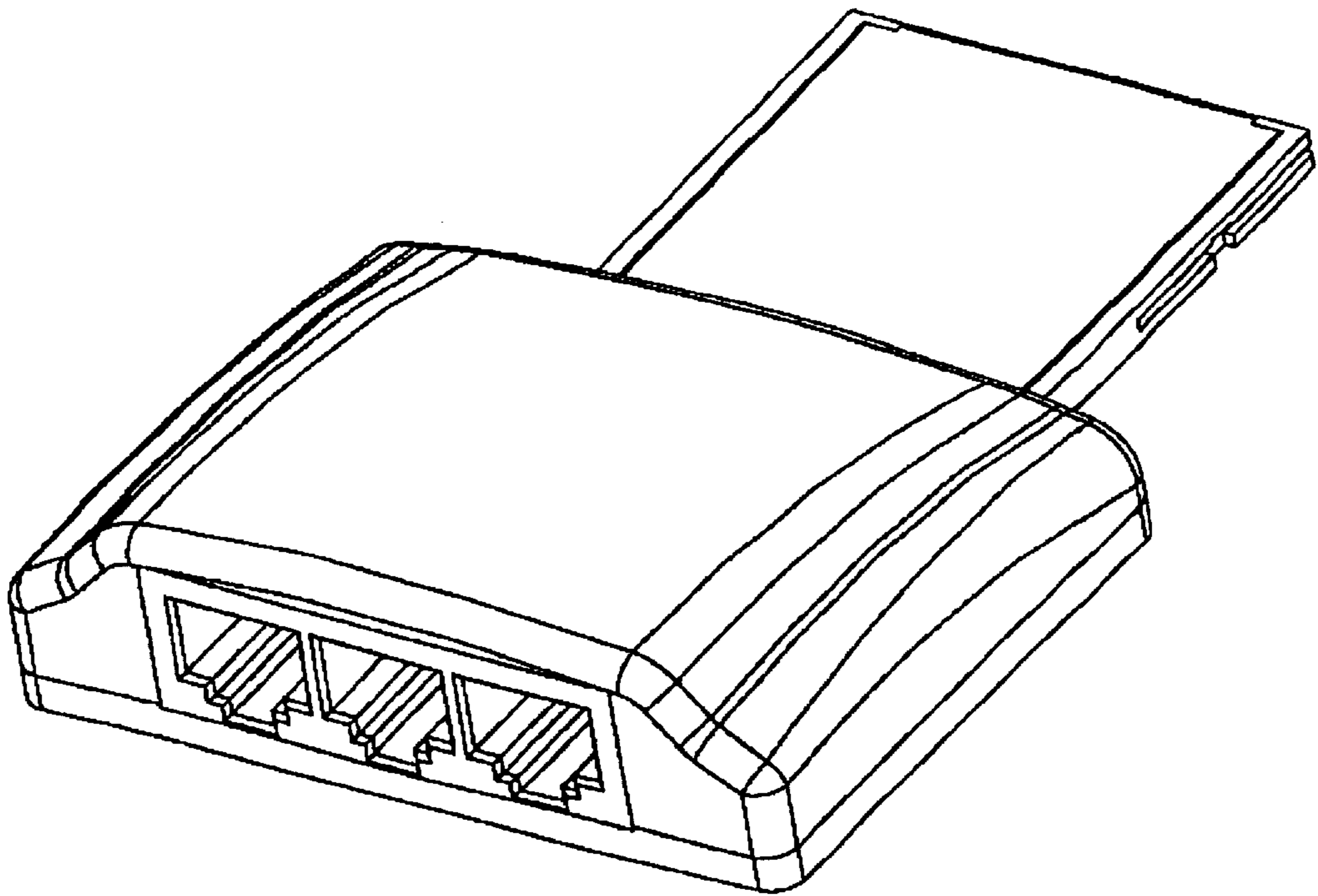


Figure 1

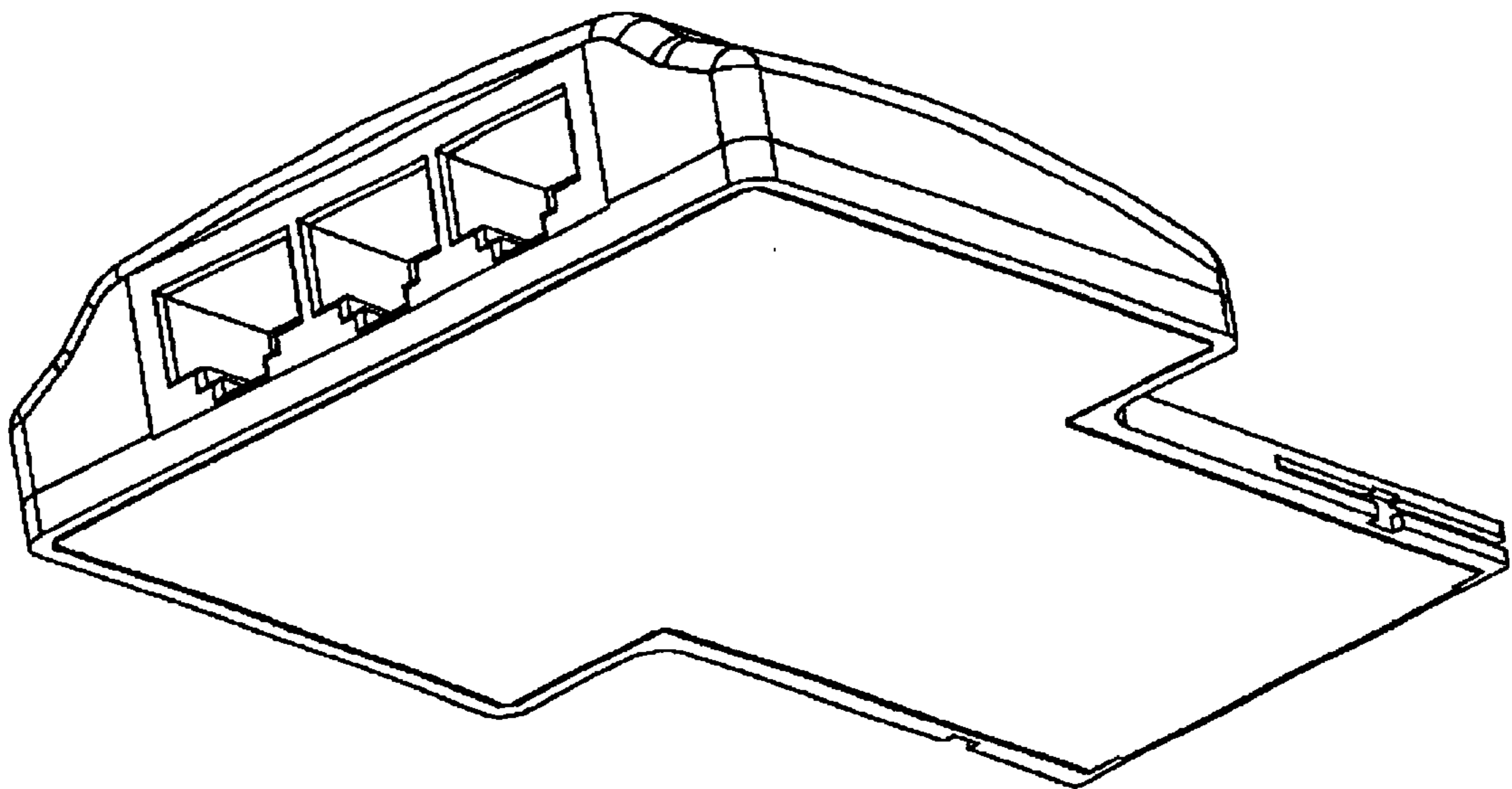


Figure 2

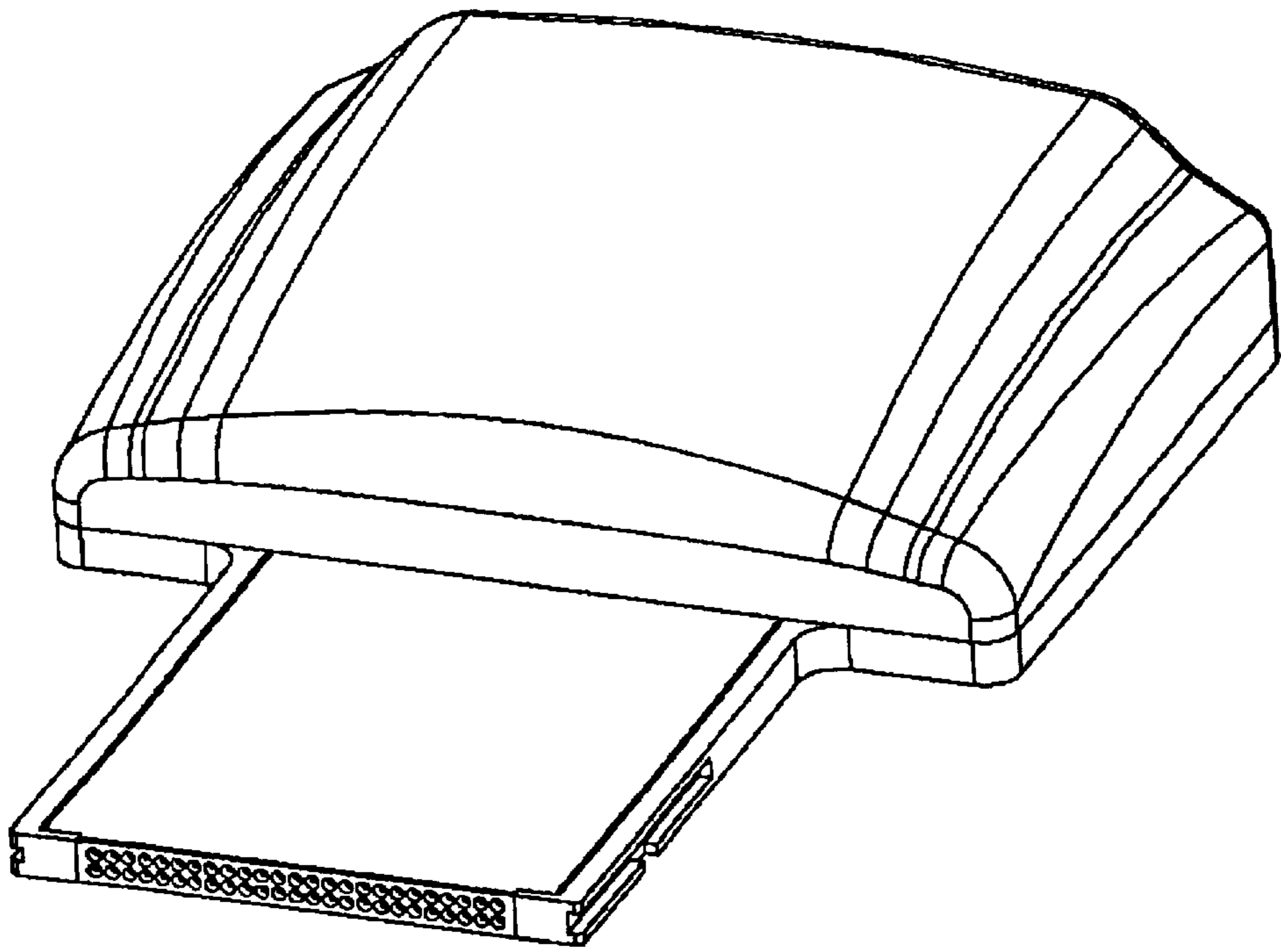


Figure 3

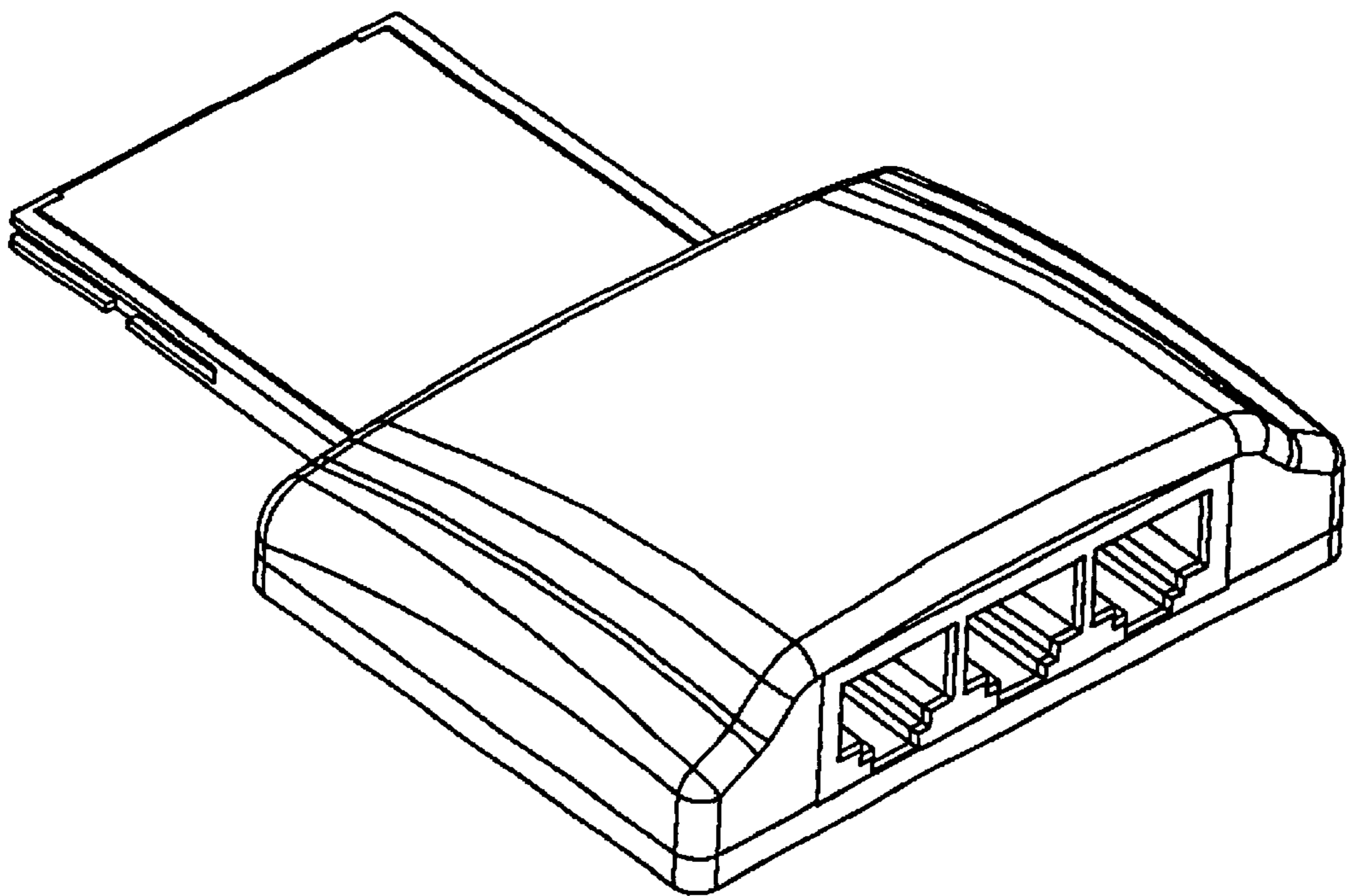


Figure 4

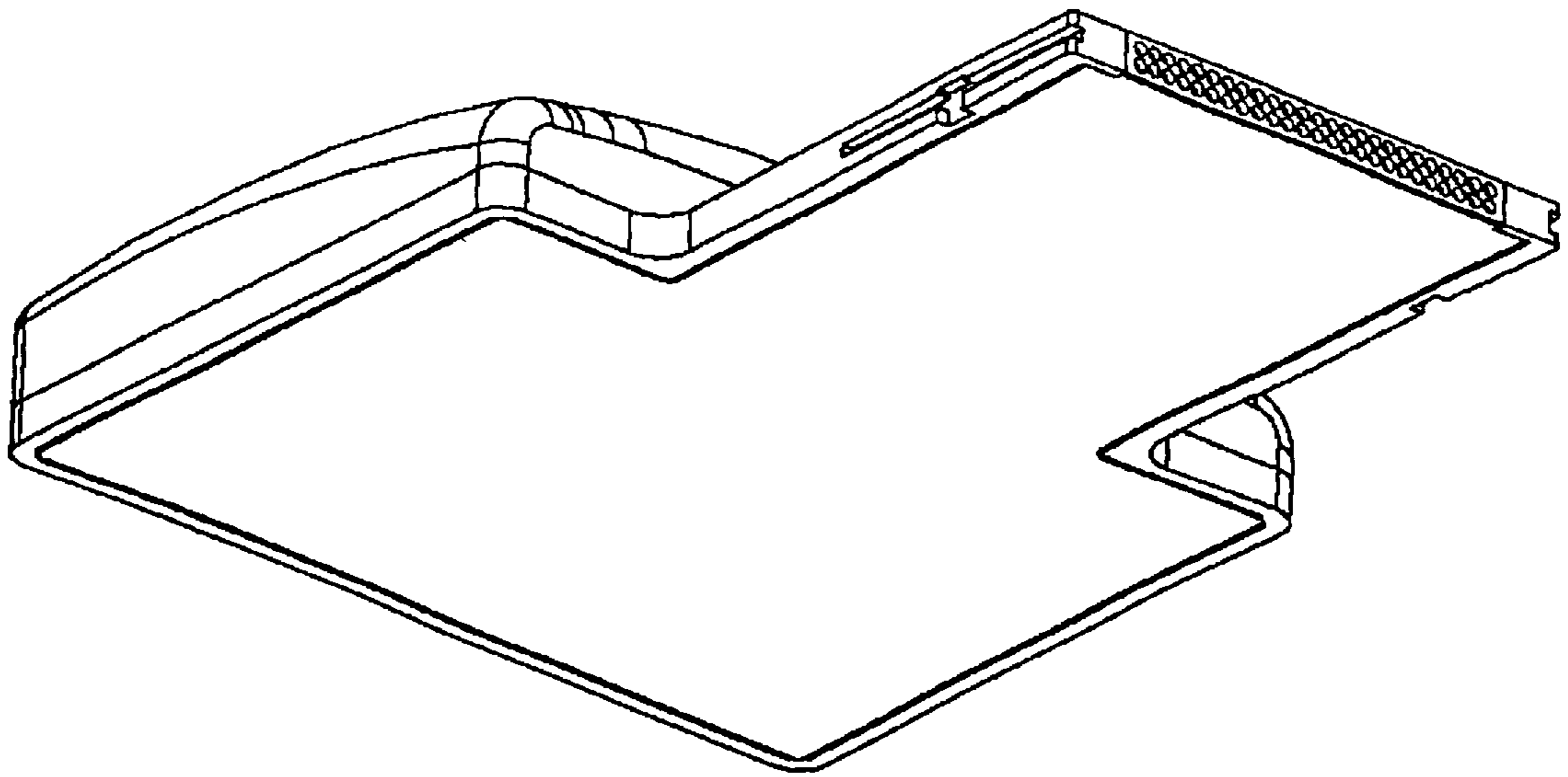


Figure 5