



US00D478086S

(12) **United States Design Patent**
Chuang

(10) **Patent No.:** **US D478,086 S**

(45) **Date of Patent:** **** Aug. 5, 2003**

(54) **CARDBUS WIRE ADAPTER**

(75) Inventor: **Michael Chuang**, Chong Ho (TW)

(73) Assignee: **Heisei Electronics Co., Ltd.**, Taipei (TW)

(**) Term: **14 Years**

(21) Appl. No.: **29/165,112**

(22) Filed: **Aug. 2, 2002**

(51) **LOC (7) Cl.** **14-02**

(52) **U.S. Cl.** **D14/433**; D13/110

(58) **Field of Search** D14/432-438;
D13/110, 133, 147; 363/146; 361/752;
439/352, 357, 358, 610; 343/702

(56) **References Cited**

U.S. PATENT DOCUMENTS

D372,024 S * 7/1996 Carlson et al. D14/432
D404,361 S * 1/1999 Kellstedt et al. D13/147

D436,919 S * 1/2001 Wakefield et al. D13/110
D464,316 S * 10/2002 Nazar D13/110
D471,156 S * 3/2003 Sass et al. D13/133
D473,187 S * 4/2003 Hussaini et al. D13/110

* cited by examiner

Primary Examiner—Kay H. Chin

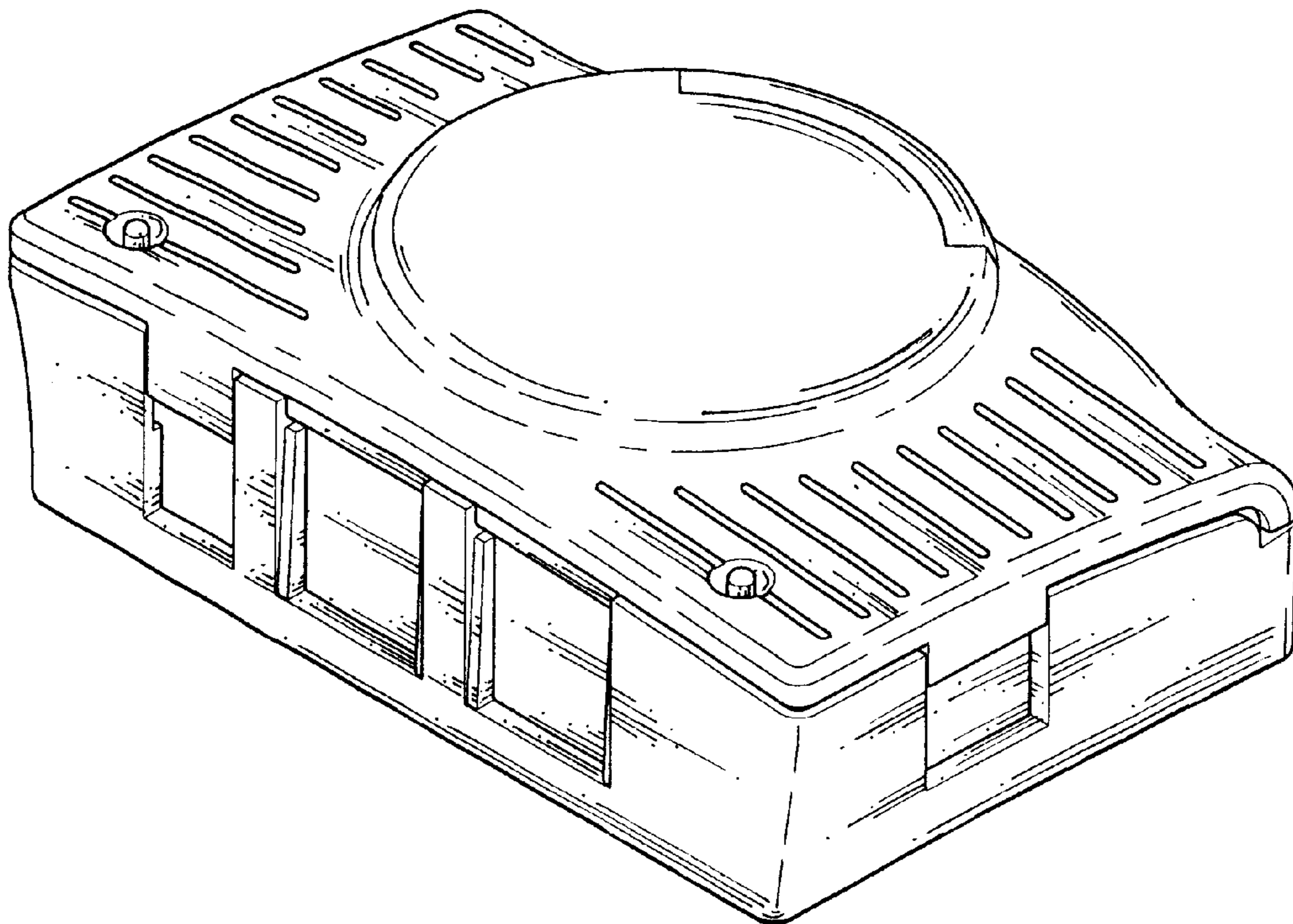
(57) **CLAIM**

The ornamental design for a cardbus wire adapter, as shown and described.

DESCRIPTION

FIG. 1 is a perspective view of a cardbus wire adapter showing my new design;
FIG. 2 is a front elevational view thereof;
FIG. 3 is a rear elevational view thereof;
FIG. 4 is a top plan view thereof;
FIG. 5 is a bottom plan view thereof;
FIG. 6 is a left side elevational view thereof; and,
FIG. 7 is a right side elevational view thereof.

1 Claim, 4 Drawing Sheets



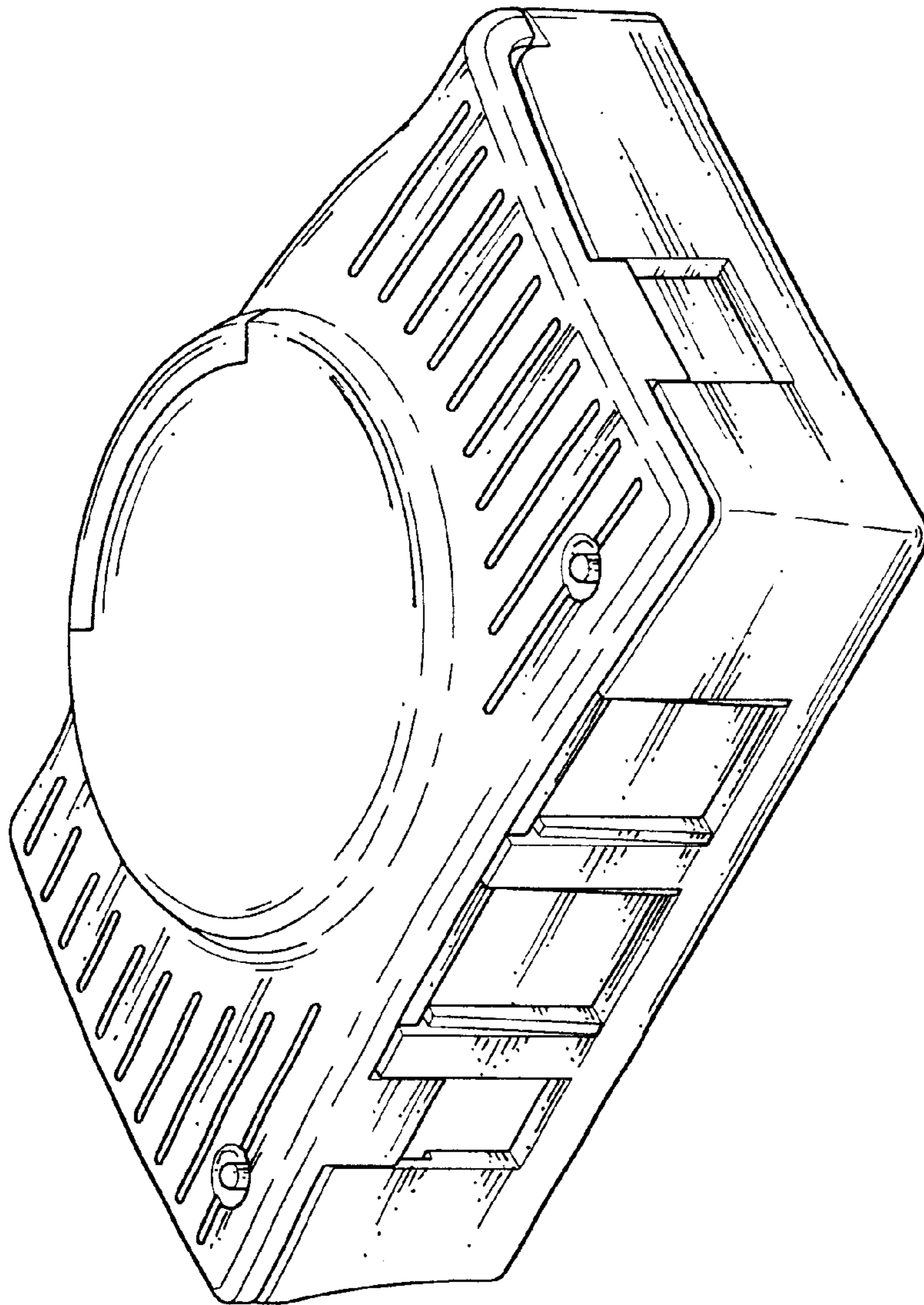


FIG.1

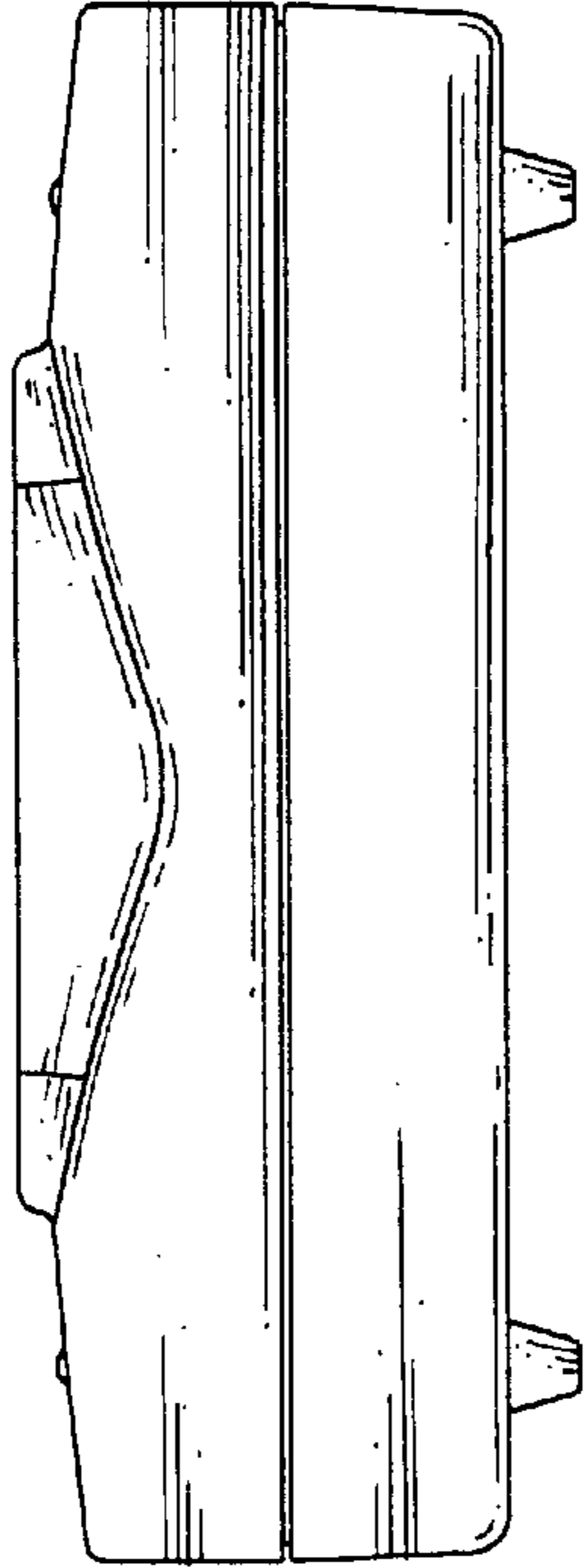


FIG.3

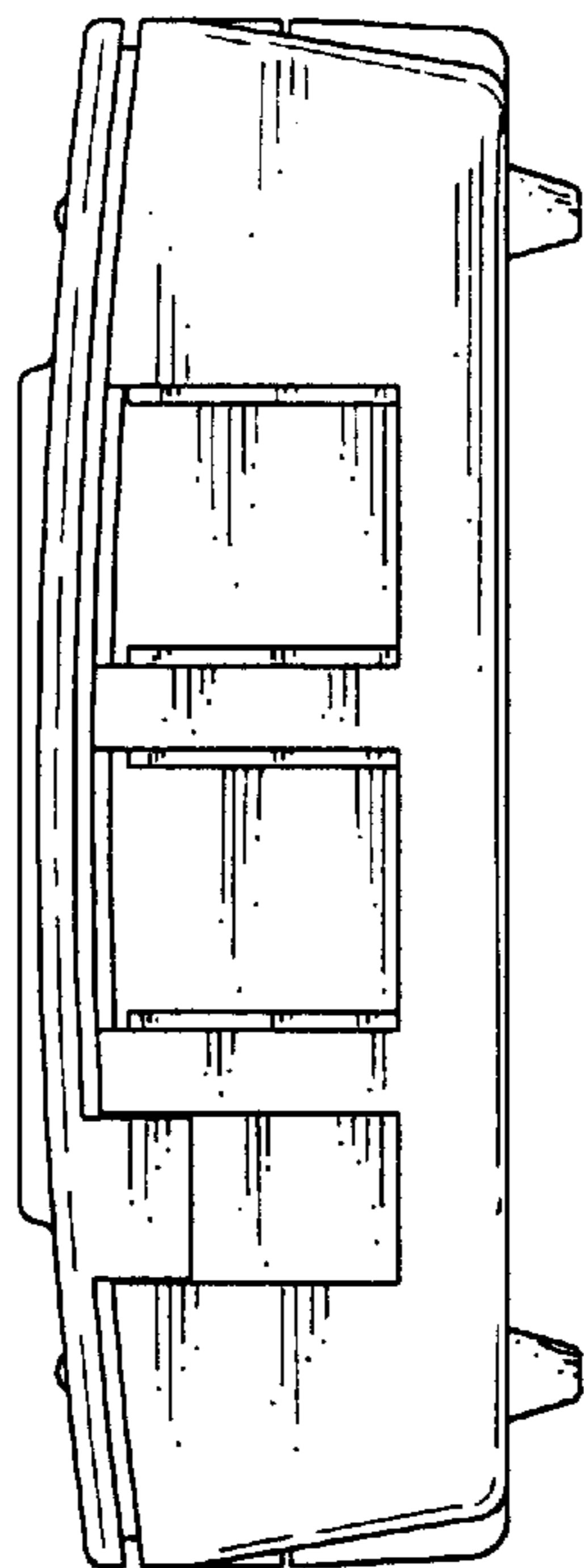


FIG.2

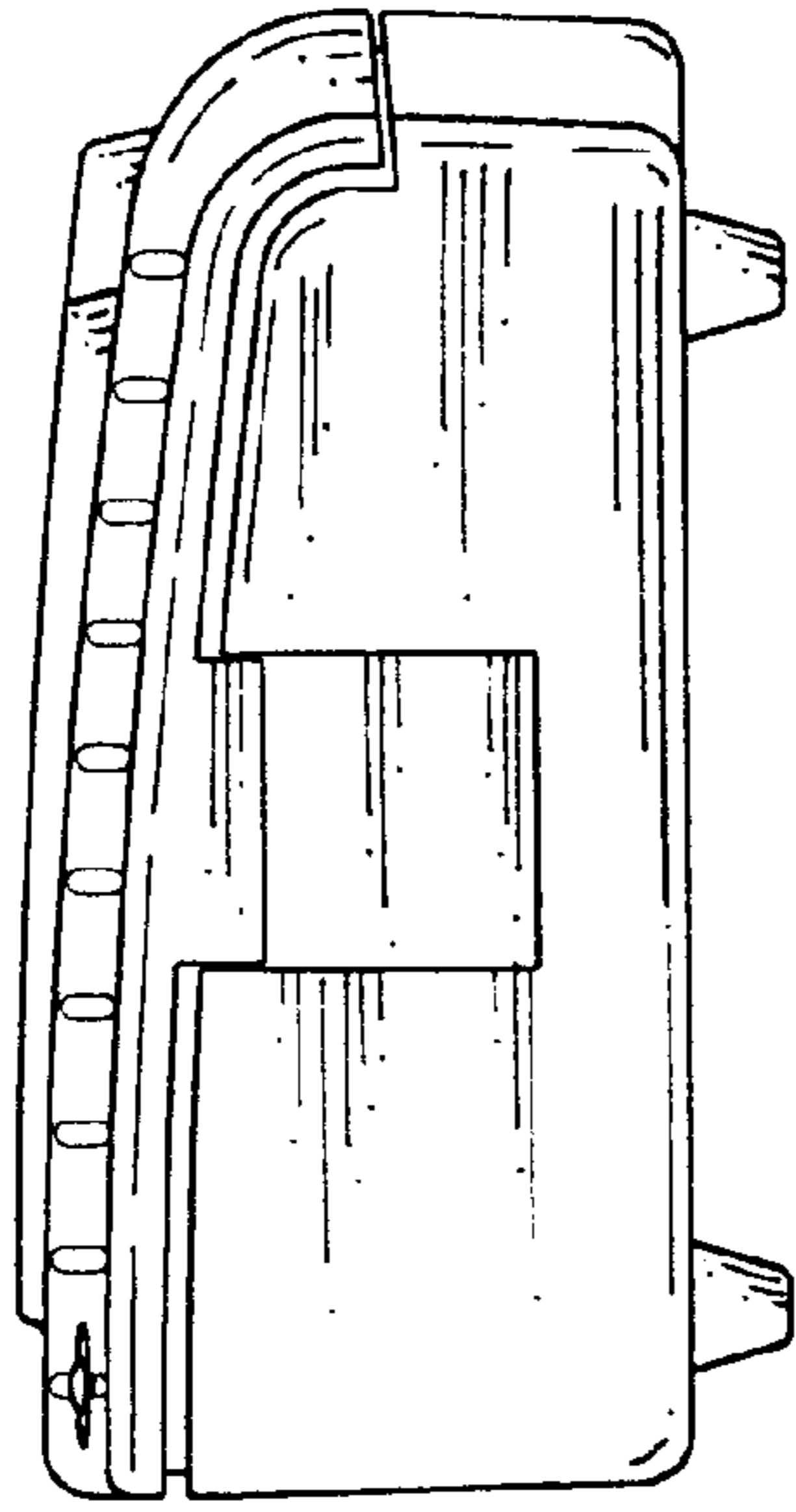


FIG.5

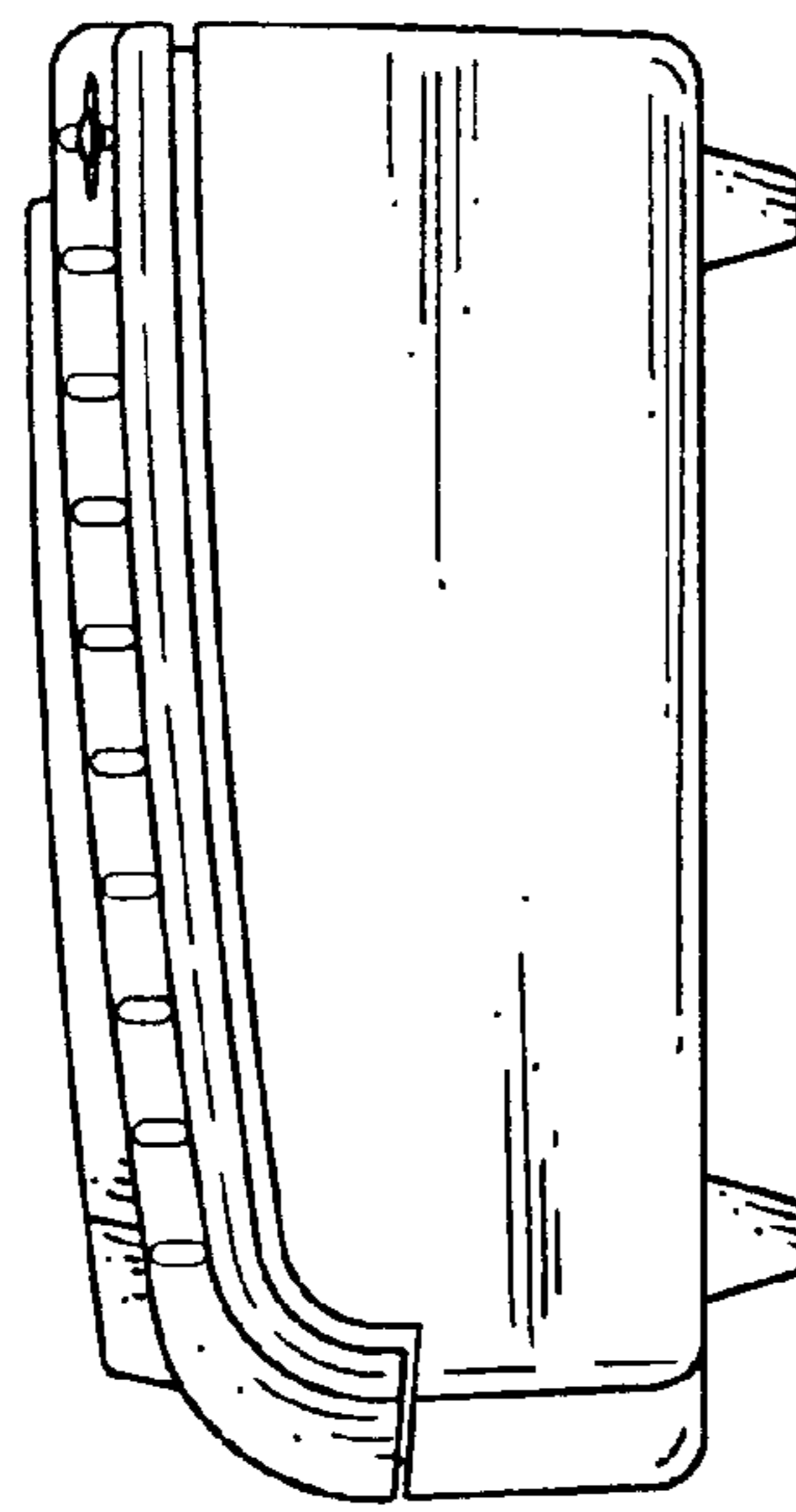


FIG.4

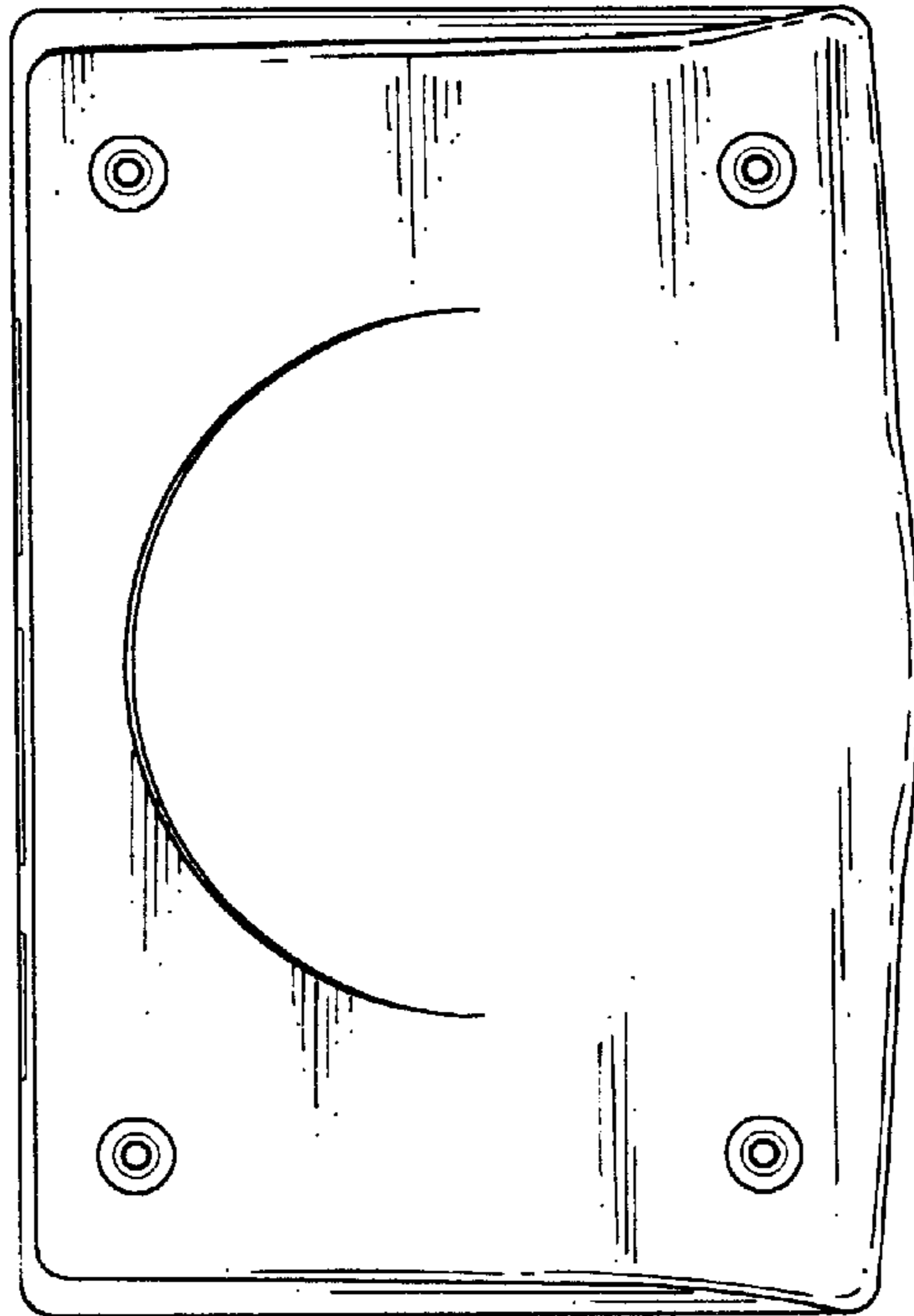


FIG.7

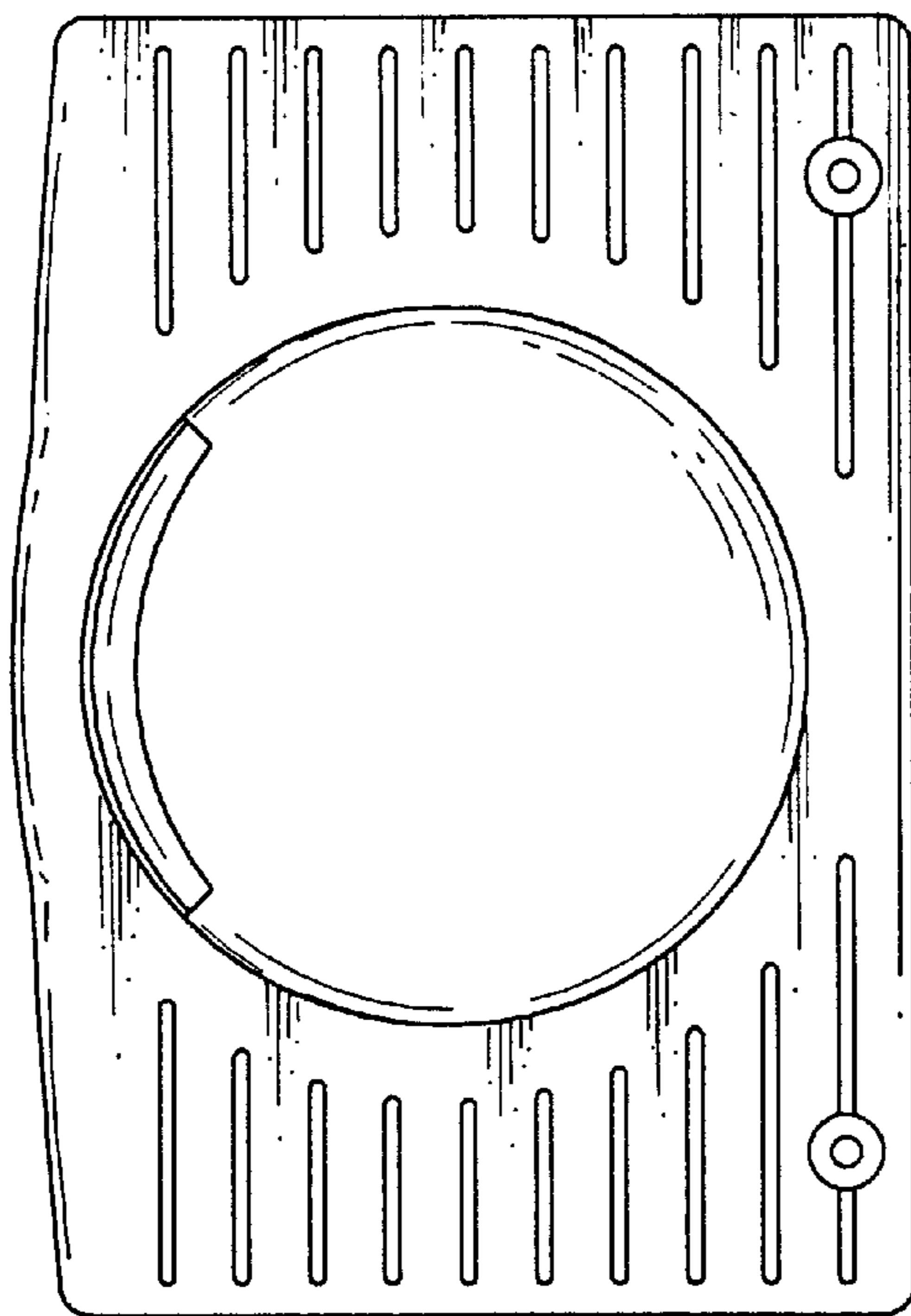


FIG.6