



US00D478082S

(12) **United States Design Patent** (10) **Patent No.:** **US D478,082 S**
Khovaylo et al. (45) **Date of Patent:** **** Aug. 5, 2003**

(54) **OPTICAL SCANNER ASSEMBLY**

OTHER PUBLICATIONS

(75) Inventors: **Modest Khovaylo**, Fort Collins, CO (US); **Scott Henderson**, Brooklyn, NY (US); **Przemyslaw Godycki**, New York, NY (US)

(73) Assignee: **Hewlett-Packard Development**, Houston, TX (US)

(**) Term: **14 Years**

(21) Appl. No.: **29/164,135**

(22) Filed: **Jul. 18, 2002**

(51) **LOC (7) Cl.** **14-02**

(52) **U.S. Cl.** **D14/425**

(58) **Field of Search** D14/421, 422, D14/424, 425; D18/36, 37, 39; 250/556; 235/476, 482, 483, 470; 355/64, 65, 75, 81

U.S. patent application Ser. No. 29/164,138, filed Jul. 18, 2002 for "Optical Scanner" of Modest Khovaylo et al.
U.S. patent application Ser. No. 29/164,122, filed Jul. 18, 2002 for "Optical Scanner" of Modest Khovaylo et al.
U.S. patent application Ser. No. 29/164,123, filed Jul. 18, 2002 for "Optical Scanner Assembly" of Modest Khovaylo et al.
U.S. patent application Ser. No. 29/164,136, filed Jul. 18, 2002 for "Optical Scanner" of Modest Khovaylo et al.
U.S. patent application Ser. No. 29/164,137, filed Jul. 18, 2002 for "Optical Scanner" of Modest Khovaylo et al.

* cited by examiner

Primary Examiner—Freda Nunn

(57) **CLAIM**

The ornamental design for an optical scanner assembly, as shown an described

DESCRIPTION

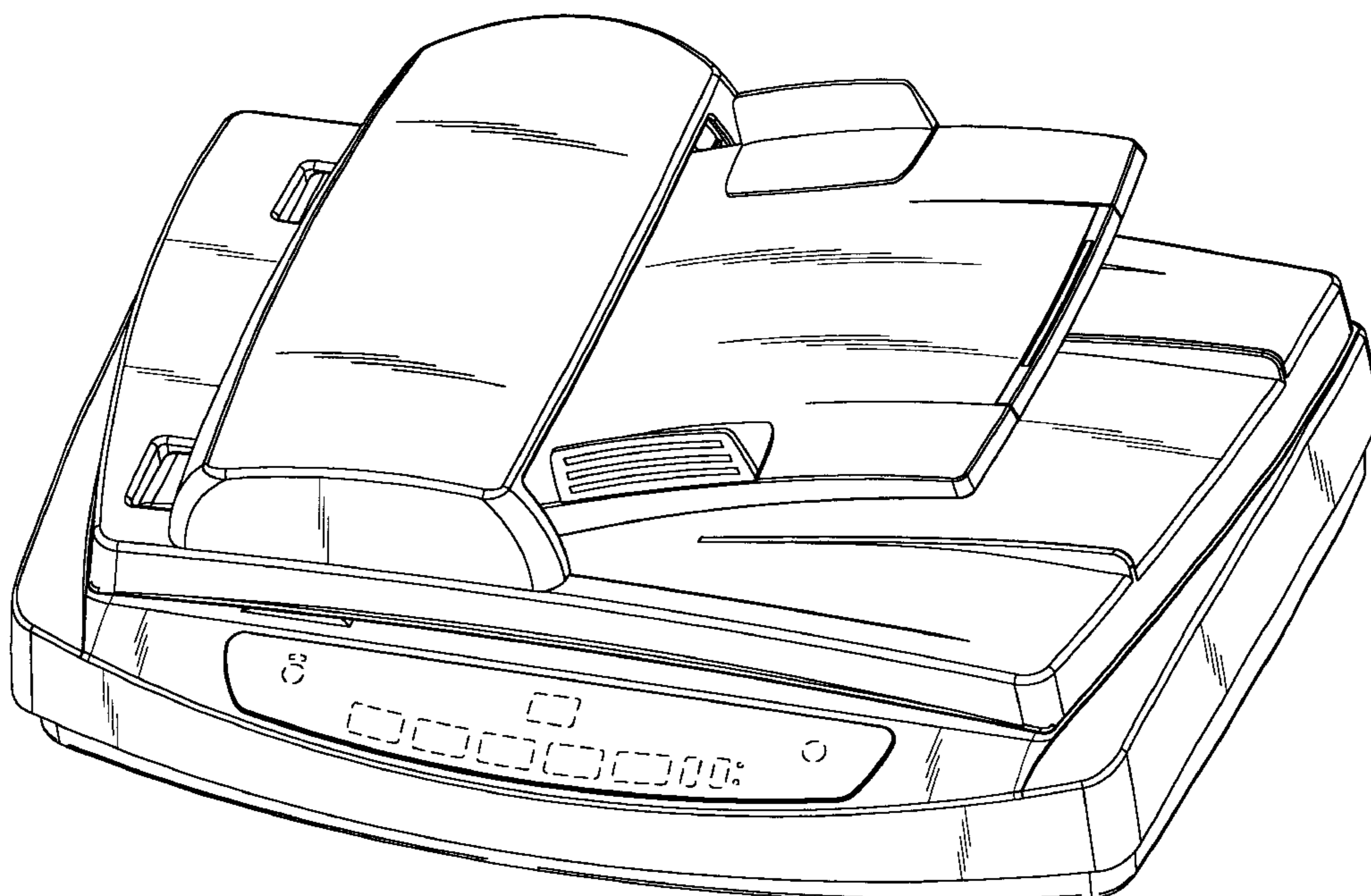
FIG. 1 is a top front isometric view of an optical scanner assembly;
FIG. 2 is a top rear isometric view thereof;
FIG. 3 is a top plan view thereof;
FIG. 4 is a bottom plan view thereof;
FIG. 5 is a front elevation view thereof;
FIG. 6 is a rear elevation view thereof;
FIG. 7 is a left side elevation view thereof; and,
FIG. 8 is a right side elevation view thereof.
Features shown in dashed lines in the drawing figures form no part of the claimed design.

(56) **References Cited**

U.S. PATENT DOCUMENTS

D336,078 S	6/1993	Khovaylo	
D380,204 S	* 6/1997	Kogoh et al.	D14/425
D385,859 S	* 11/1997	Iimura	D14/425
D412,496 S	8/1999	Khovaylo et al.	
D415,127 S	* 10/1999	Ueda	D14/425
D421,746 S	3/2000	Khovaylo et al.	
D443,277 S	6/2001	Khovaylo et al.	
D444,150 S	6/2001	Khovaylo et al.	
D447,142 S	8/2001	Khovaylo et al.	
D449,063 S	10/2001	Khovaylo et al.	
D450,052 S	* 11/2001	Khovaylo et al.	D14/425
D450,668 S	11/2001	Khovaylo et al.	
D456,412 S	4/2002	Khovaylo et al.	

1 Claim, 7 Drawing Sheets



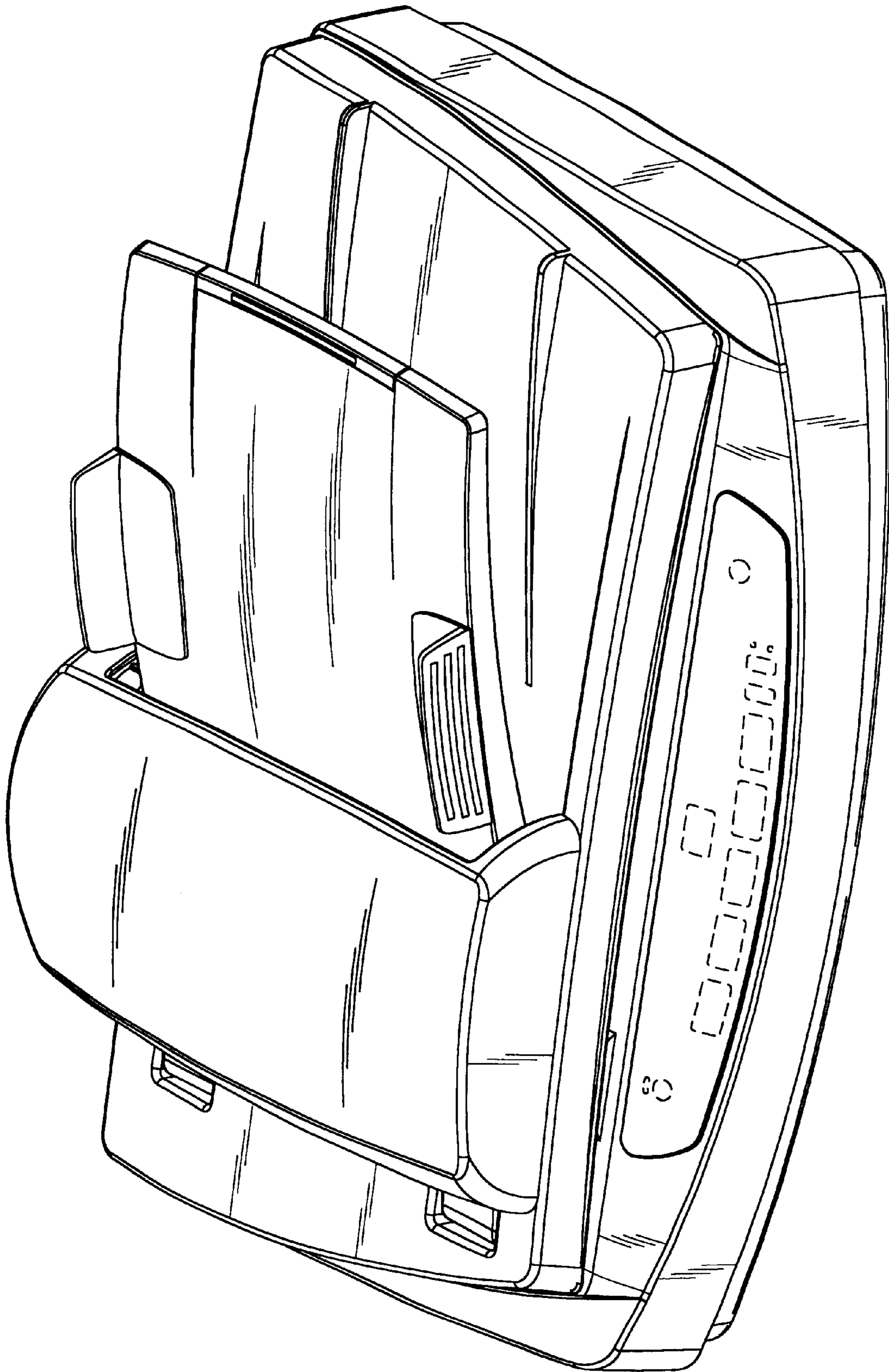


FIG. 1

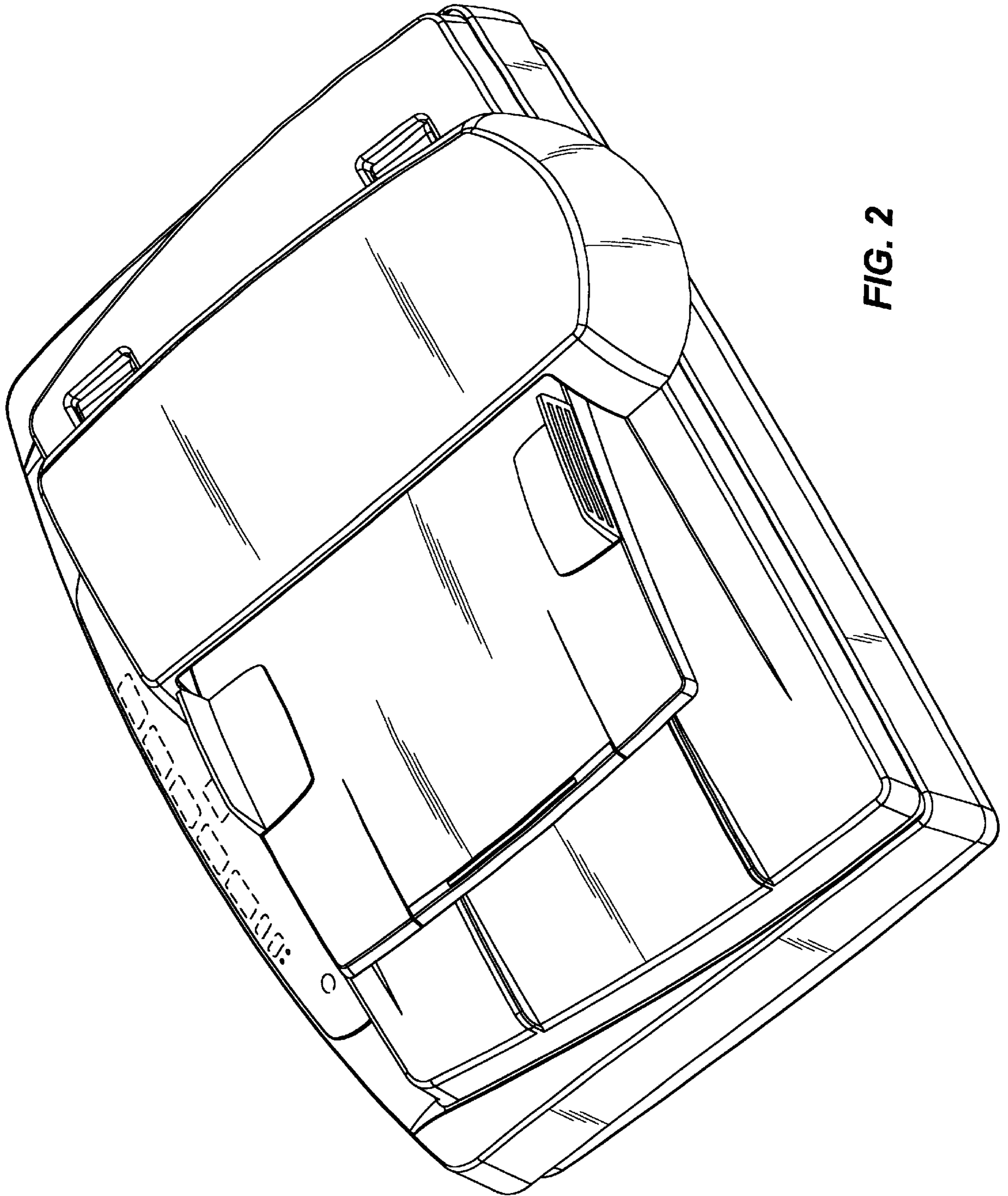


FIG. 2

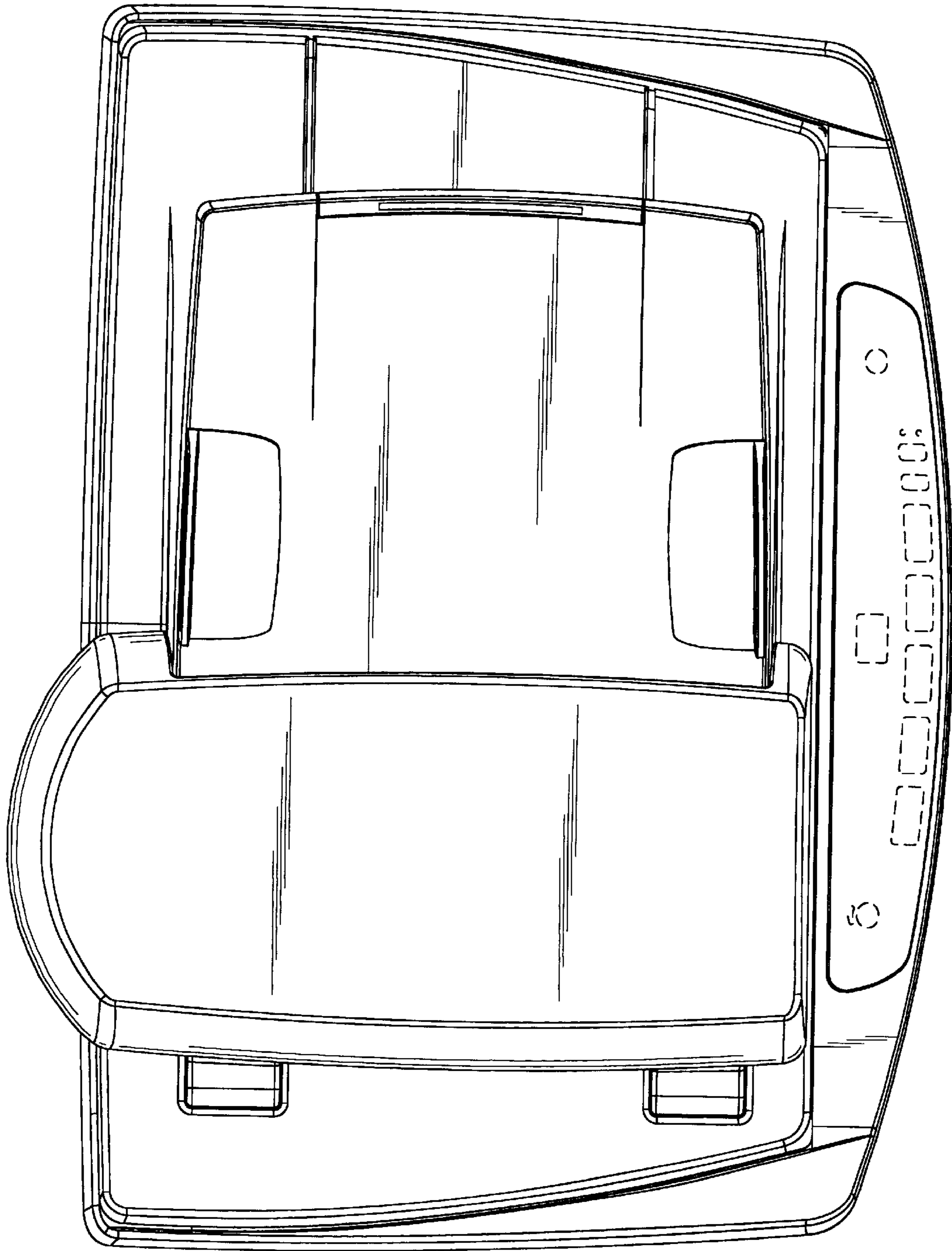


FIG. 3

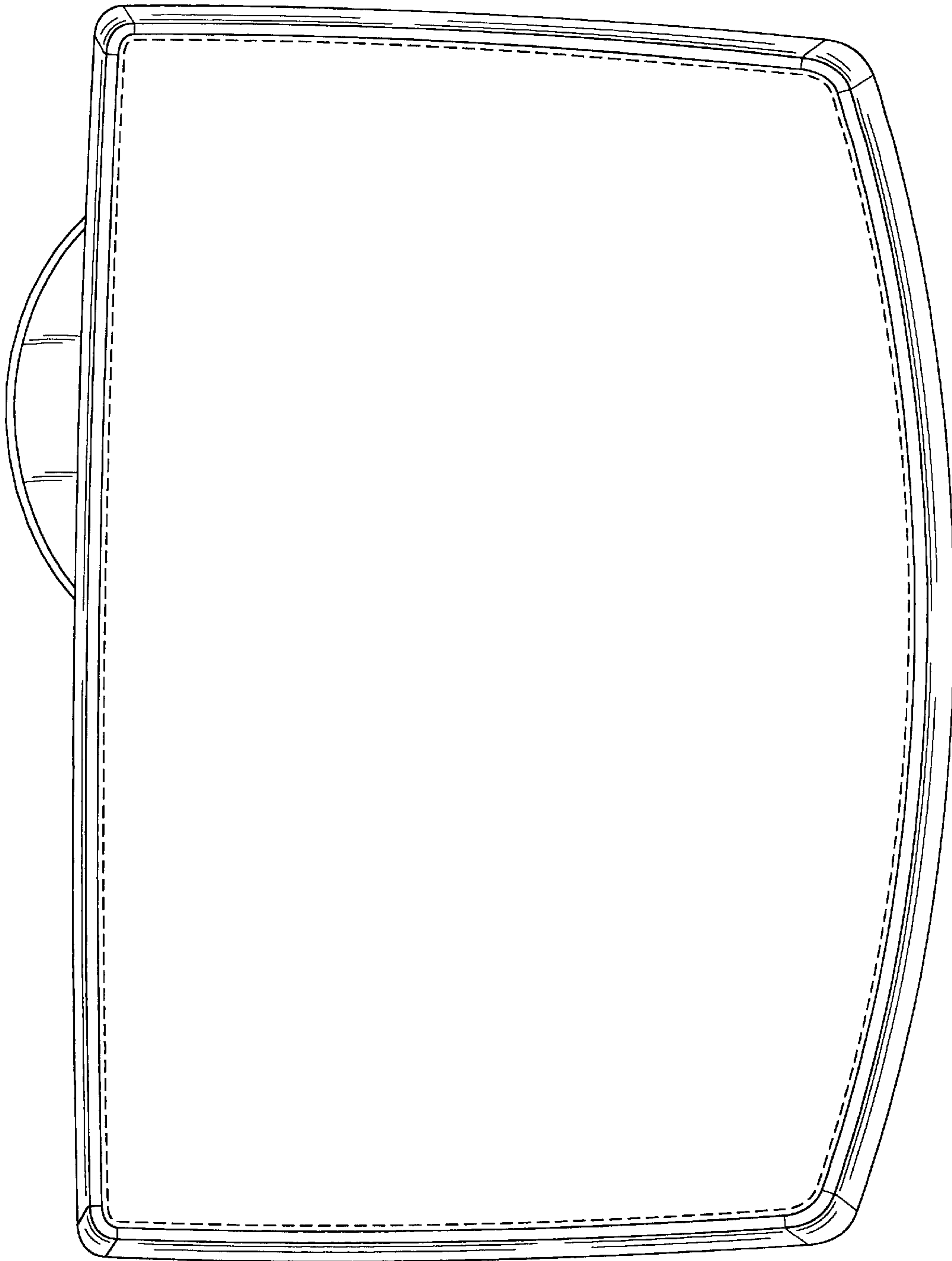


FIG. 4

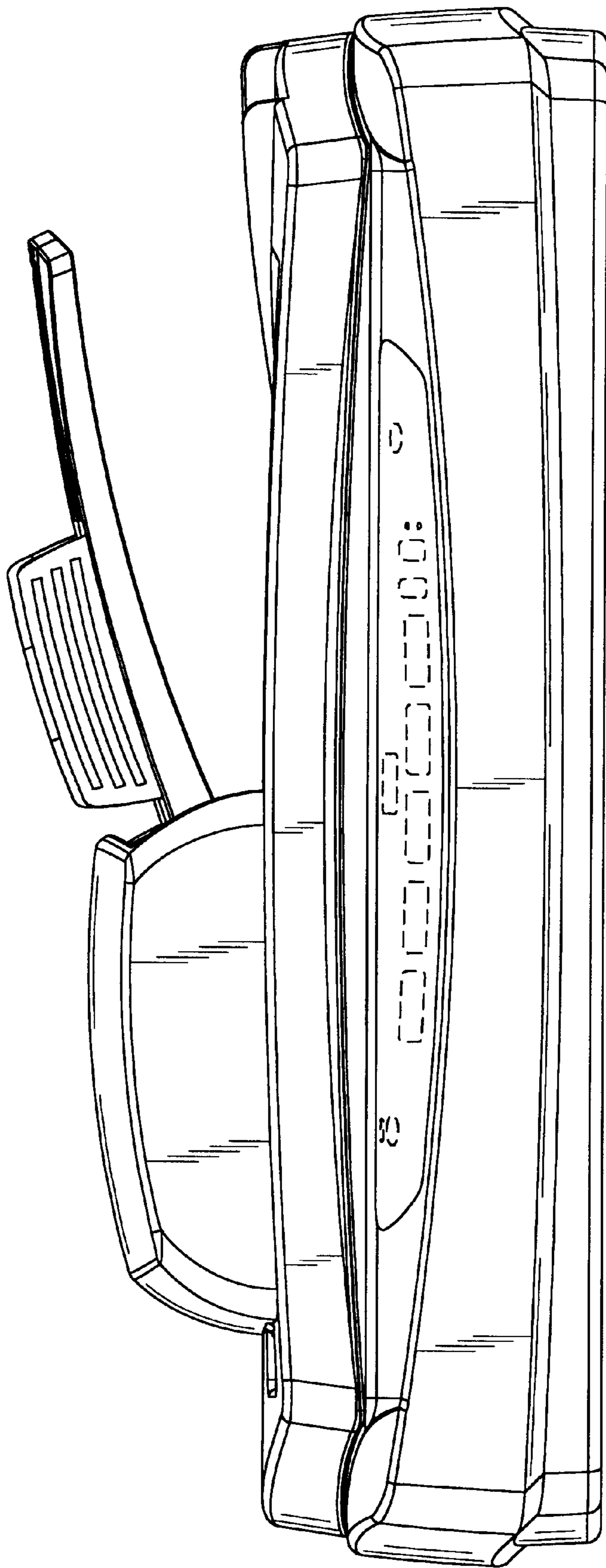


FIG. 5

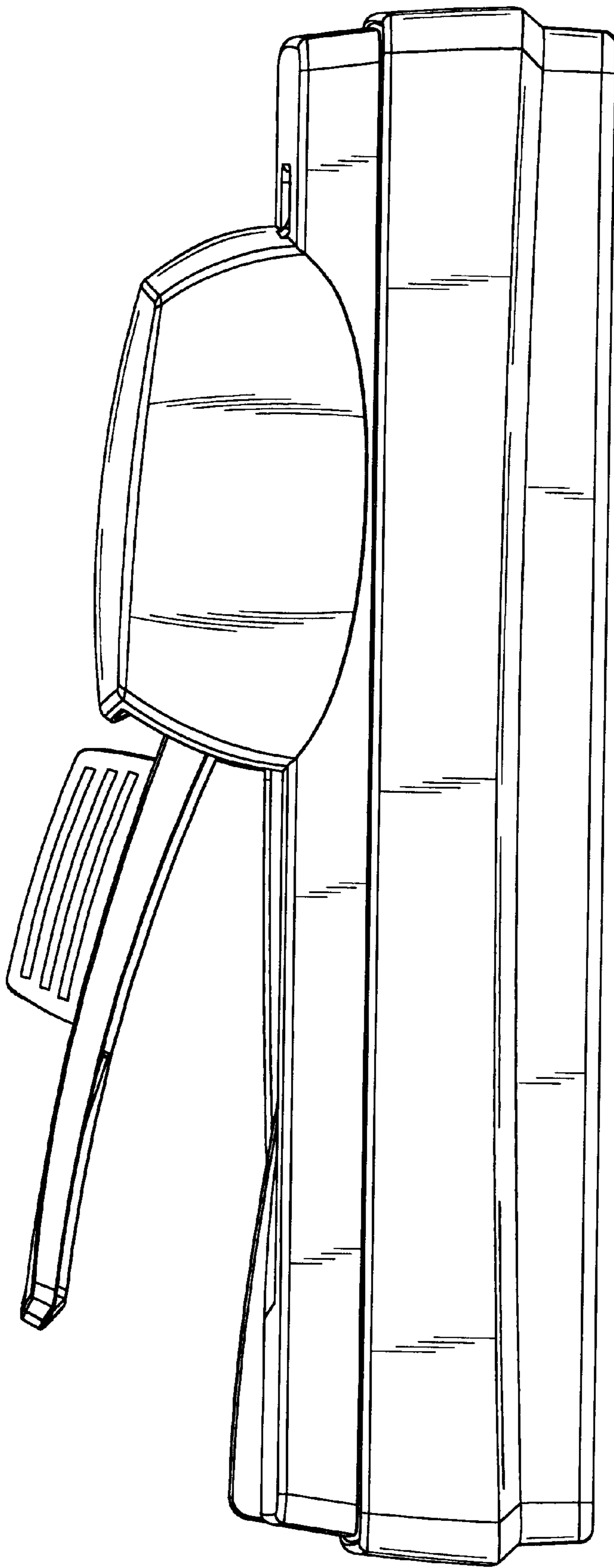


FIG. 6

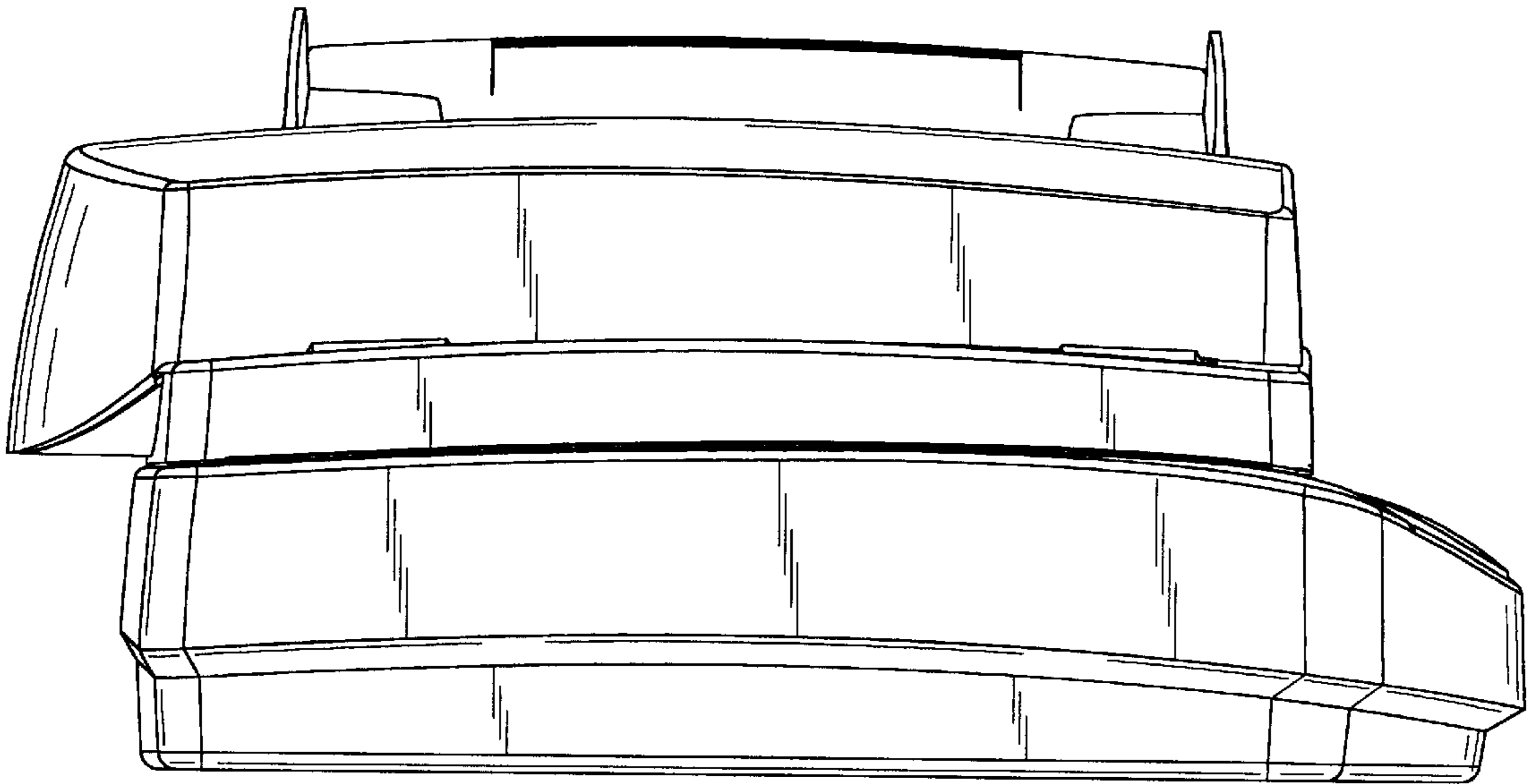


FIG. 7

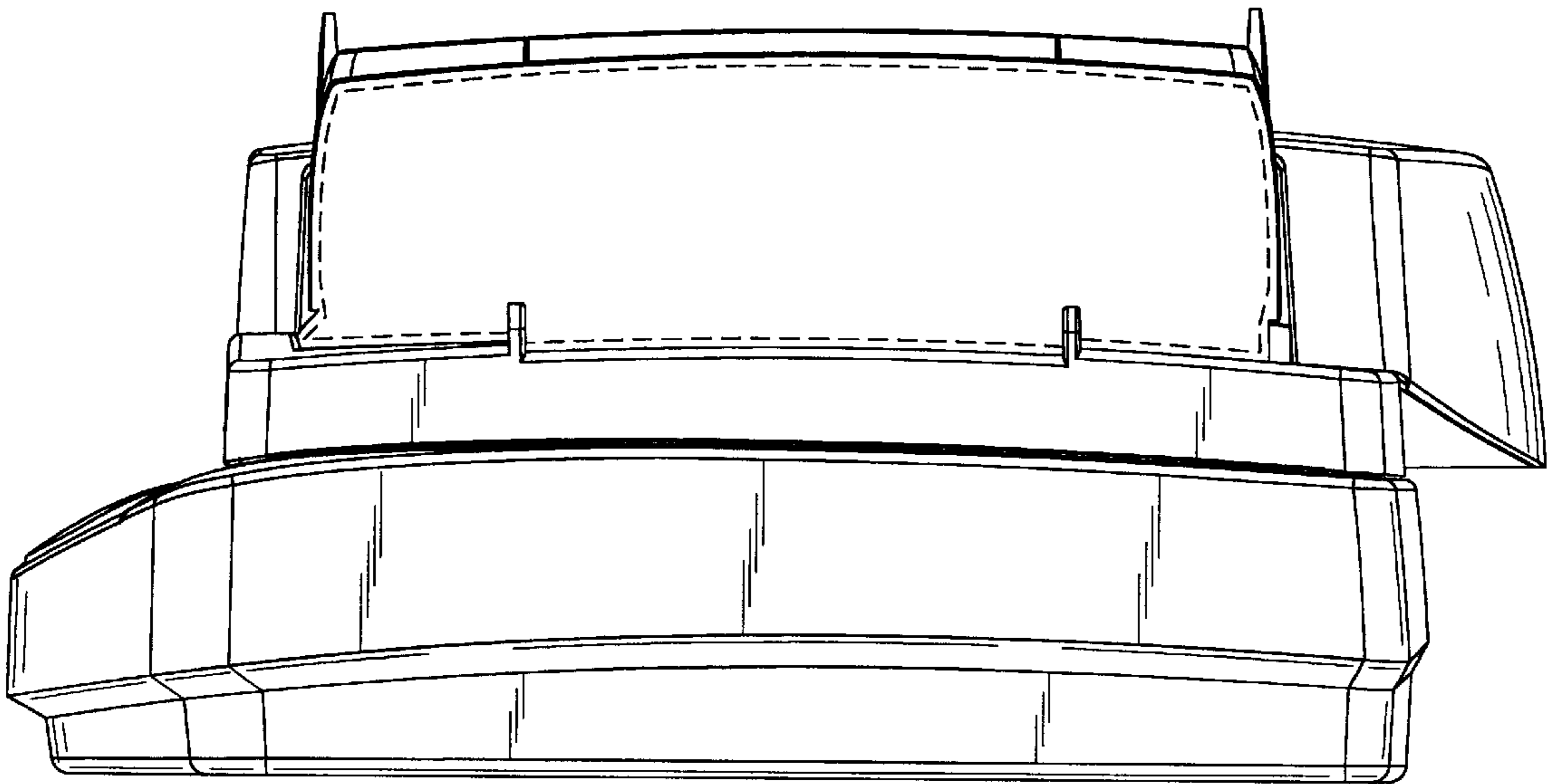


FIG. 8