



US00D478081S

(12) **United States Design Patent**  
**Khovaylo et al.**

(10) **Patent No.:** **US D478,081 S**

(45) **Date of Patent:** **\*\* Aug. 5, 2003**

(54) **OPTICAL SCANNER ASSEMBLY**

(75) Inventors: **Modest Khovaylo**, Fort Collins, CO (US); **Scott Henderson**, Brooklyn, NY (US); **Przemyslaw Godycki**, New York, NY (US); **Allen Zadeh**, Brooklyn, NY (US)

(73) Assignee: **Hewlett-Packard Development Company**, Houston, TX (US)

(\*\*) Term: **14 Years**

(21) Appl. No.: **29/164,123**

(22) Filed: **Jul. 18, 2002**

(51) **LOC (7) Cl.** ..... **14-02**

(52) **U.S. Cl.** ..... **D14/425**

(58) **Field of Search** ..... D14/421, 422, D14/424, 425; D18/36, 37, 39; 250/556; 235/476, 482, 483, 470; 355/64, 65, 75, 81

(56) **References Cited**

**U.S. PATENT DOCUMENTS**

D336,078 S	6/1993	Khovaylo	
D337,606 S	7/1993	Khovaylo et al.	
D412,496 S	8/1999	Khovaylo et al.	
D419,140 S	* 1/2000	Khovaylo et al.	..... D14/425
D421,622 S	3/2000	Khovaylo et al.	

(List continued on next page.)

**OTHER PUBLICATIONS**

U.S. Design patent application Ser. No. 29/164,122, filed Jul. 18, 2002 for "Optical Scanner" of Modest Khovaylo, et al.

U.S. Design patent application Ser. No. 29/164,136 filed Jul. 18, 2002 for "Optical Scanner" of Modest Khovaylo, et al.

U.S. Design patent application Ser. No. 29/164,137, filed Jul. 18, 2002 for "Optical Scanner" of Modest Khovaylo, et al.

U.S. Design patent application Ser. No. 29/164,138, filed Jul. 18, 2002 for "Optical Scanner Assembly" of Modest Khovaylo, et al.

U.S. Design patent application Ser. No. 29/164,135 filed Jul. 18, 2002 for "Optical Scanner Assembly" of Modest Khovaylo, et al.

*Primary Examiner*—Freda Nunn

(57) **CLAIM**

The ornamental design for an optical scanner assembly, as shown and described.

**DESCRIPTION**

FIG. 1 is a top, front, isometric view of an optical scanner assembly;

FIG. 2 is a top rear elevation view thereof;

FIG. 3 is a top plan view thereof;

FIG. 4 is a bottom plan view thereof;

FIG. 5 is a front elevation view thereof;

FIG. 6 is a rear elevation view thereof;

FIG. 7 is a left side elevation view thereof;

FIG. 8 is a right side elevation view thereof;

FIG. 9 is a top, front, isometric view of a second embodiment of an optical scanner assembly;

FIG. 10 is a top rear elevation view of the second embodiment;

FIG. 11 is a top plan view of the second embodiment;

FIG. 12 is a bottom plan view of the second embodiment;

FIG. 13 is a front elevation view of the second embodiment;

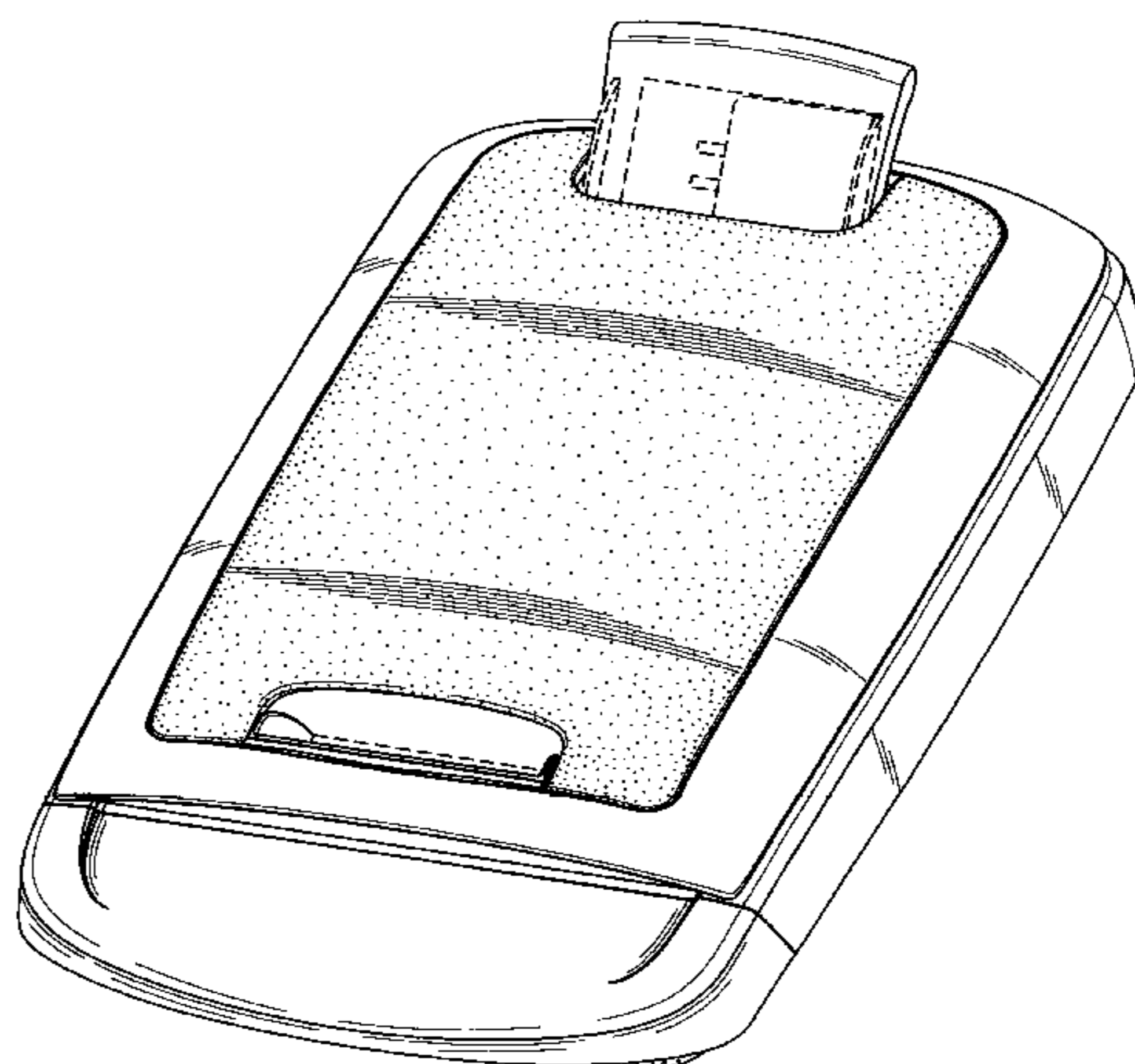
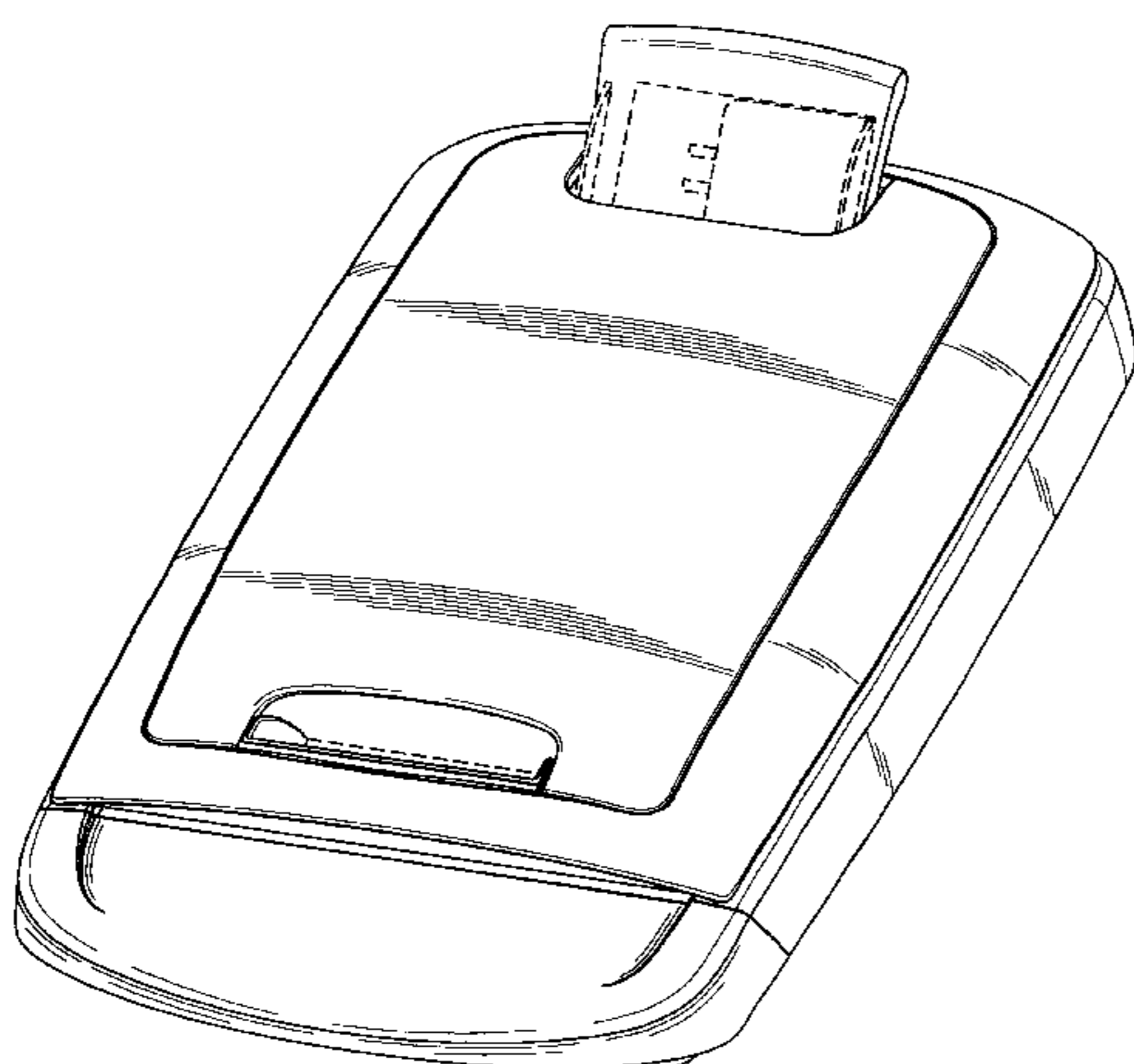
FIG. 14 is a rear elevation view of the second embodiment;

FIG. 15 is a left side elevation of the second embodiment; and,

FIG. 16 is a right side elevation view of the second embodiment.

In FIGS. 9–16 the areas including dot stippling and triangle stippling and no stippling each have different contrasting colors as compared to the other areas. Features shown in dashed lines in the drawing figures form no part of the claimed design of the particular embodiment shown in the subject drawing figures.

**1 Claim, 12 Drawing Sheets**





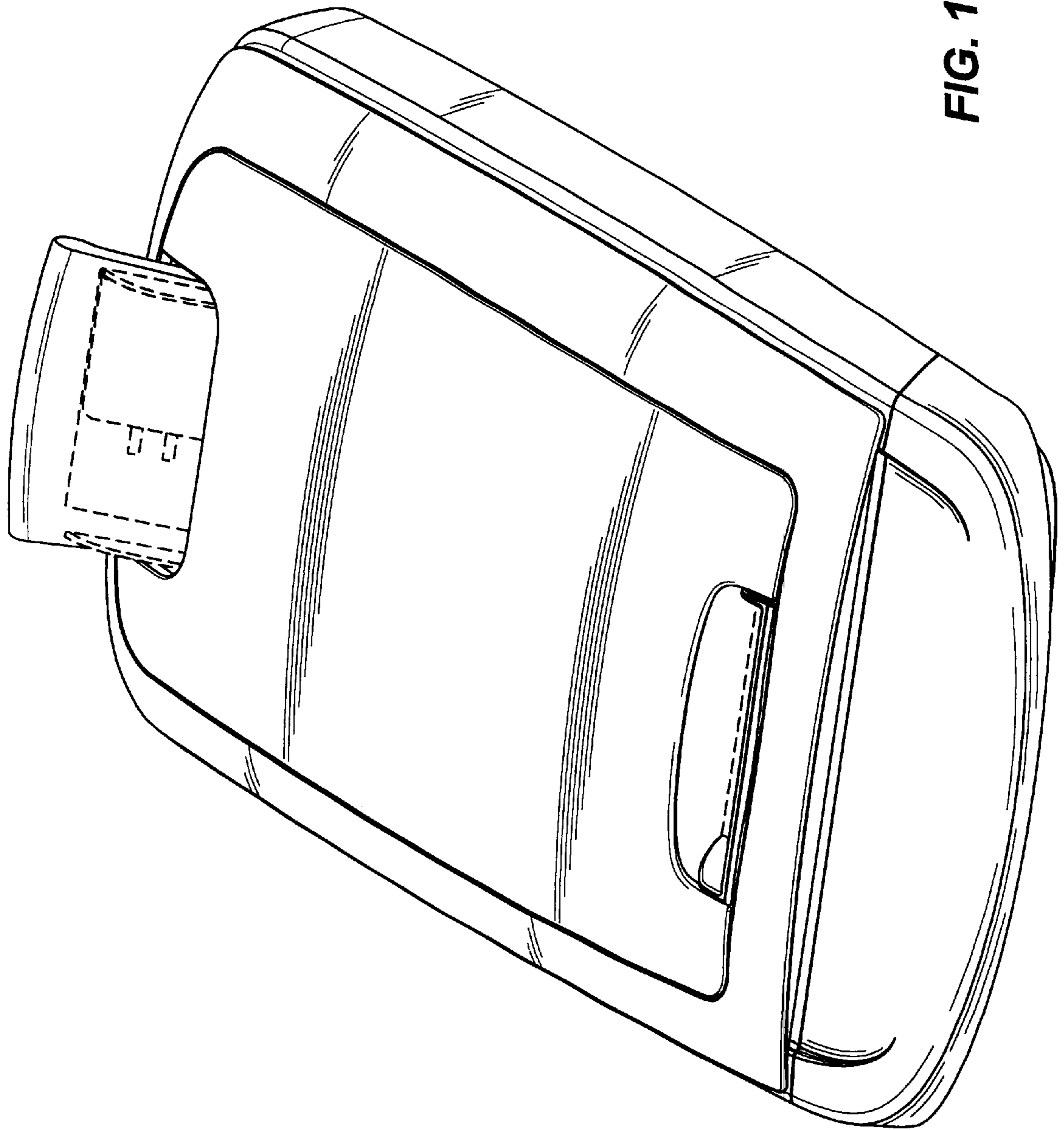


FIG. 1

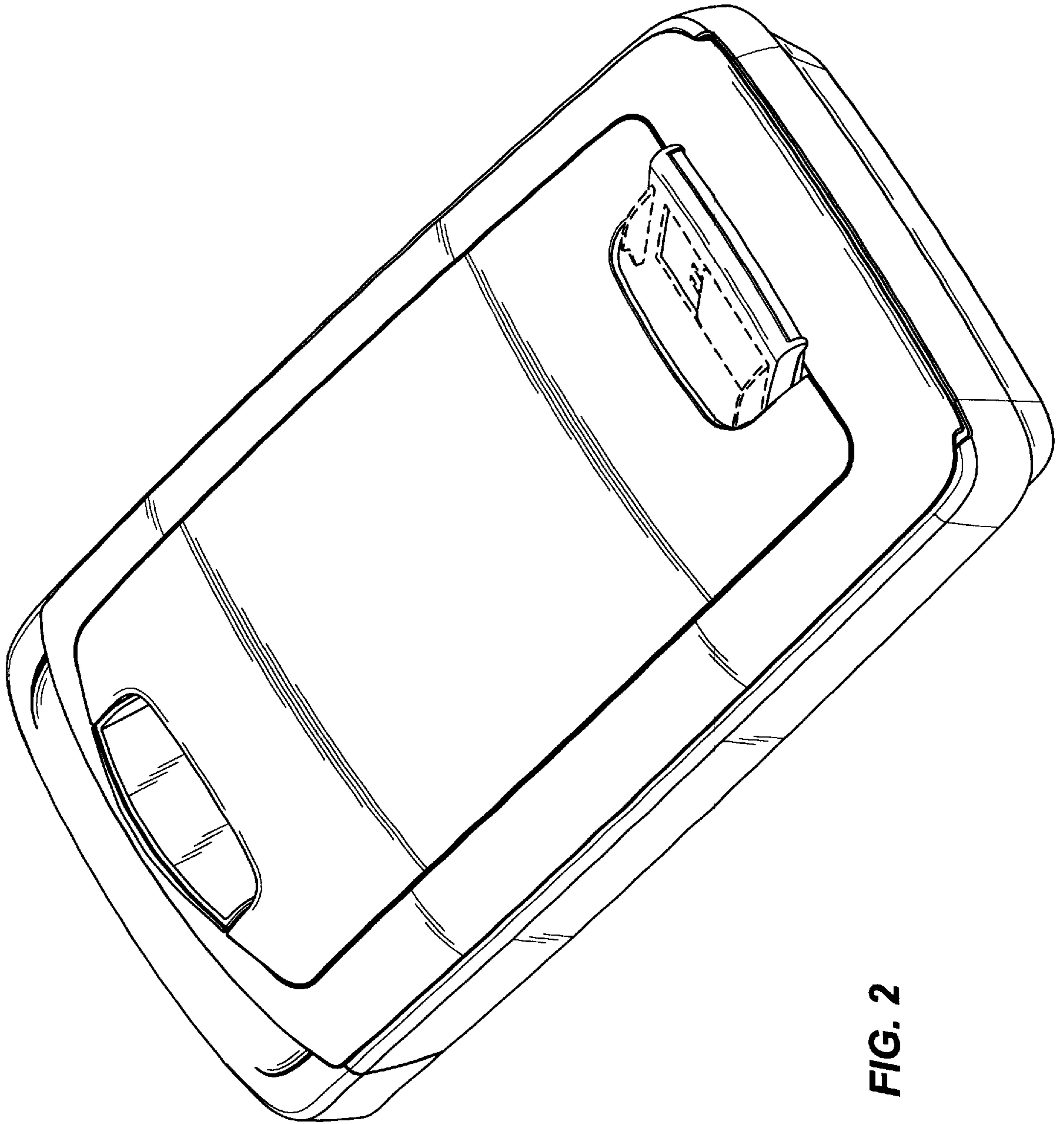
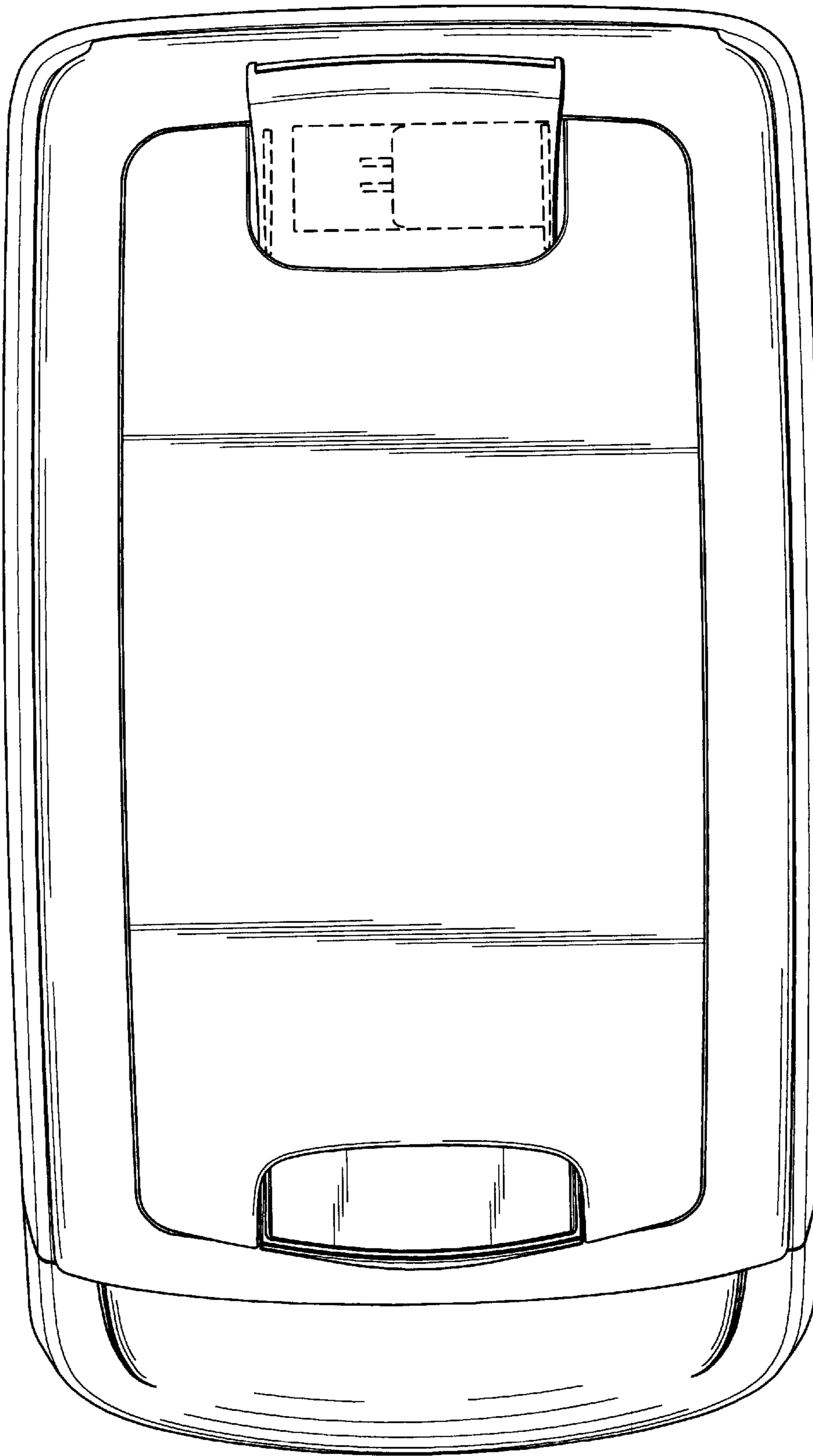
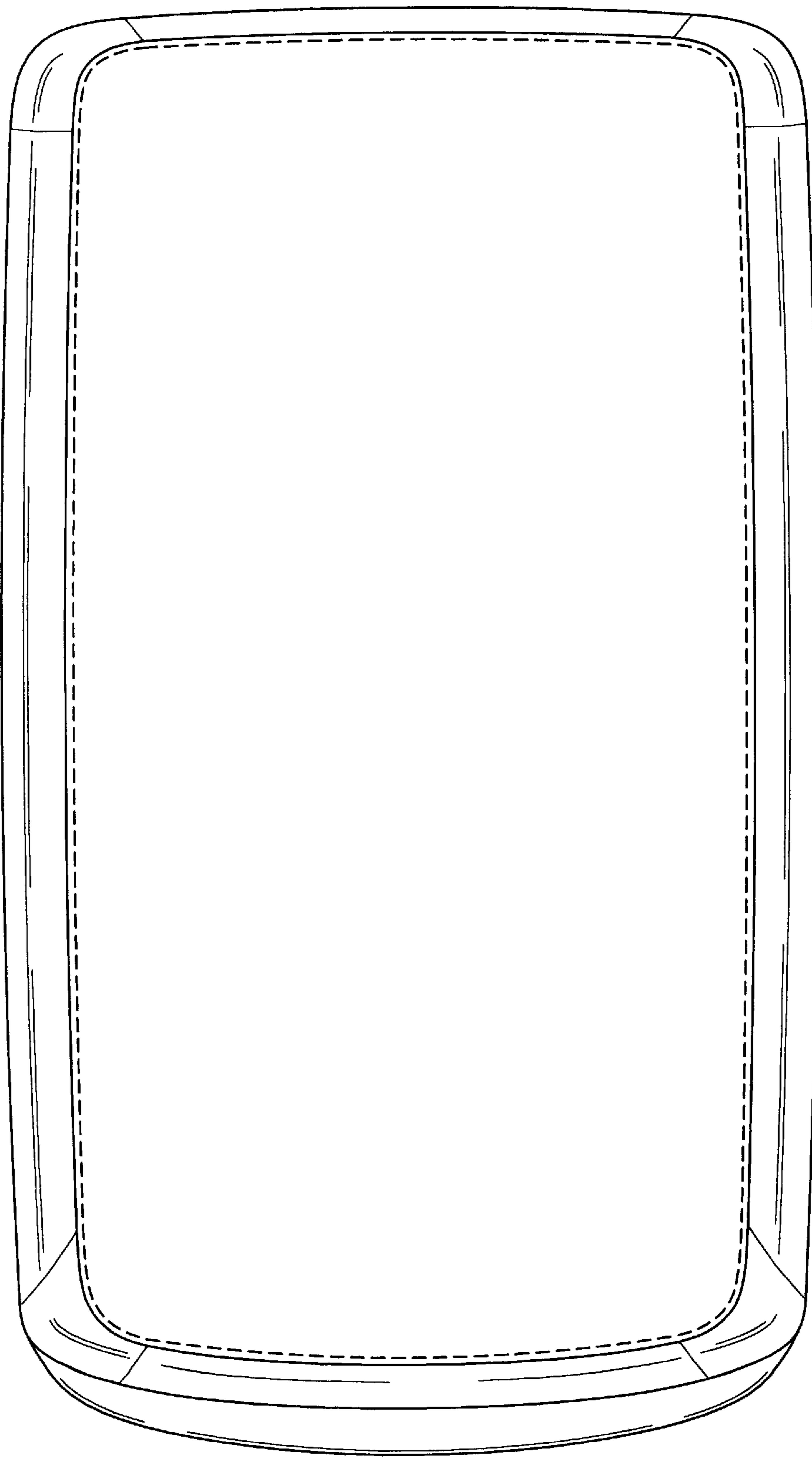


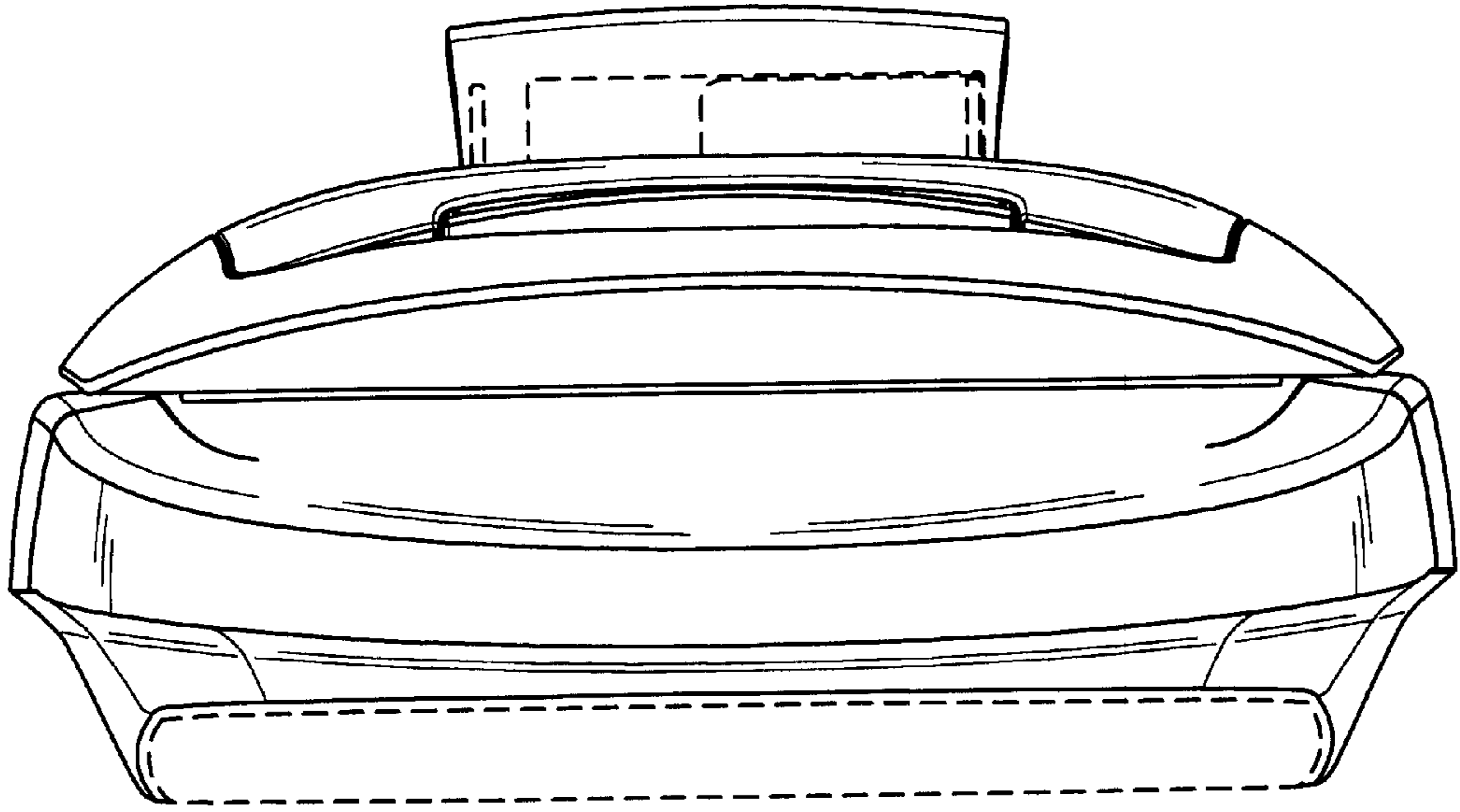
FIG. 2



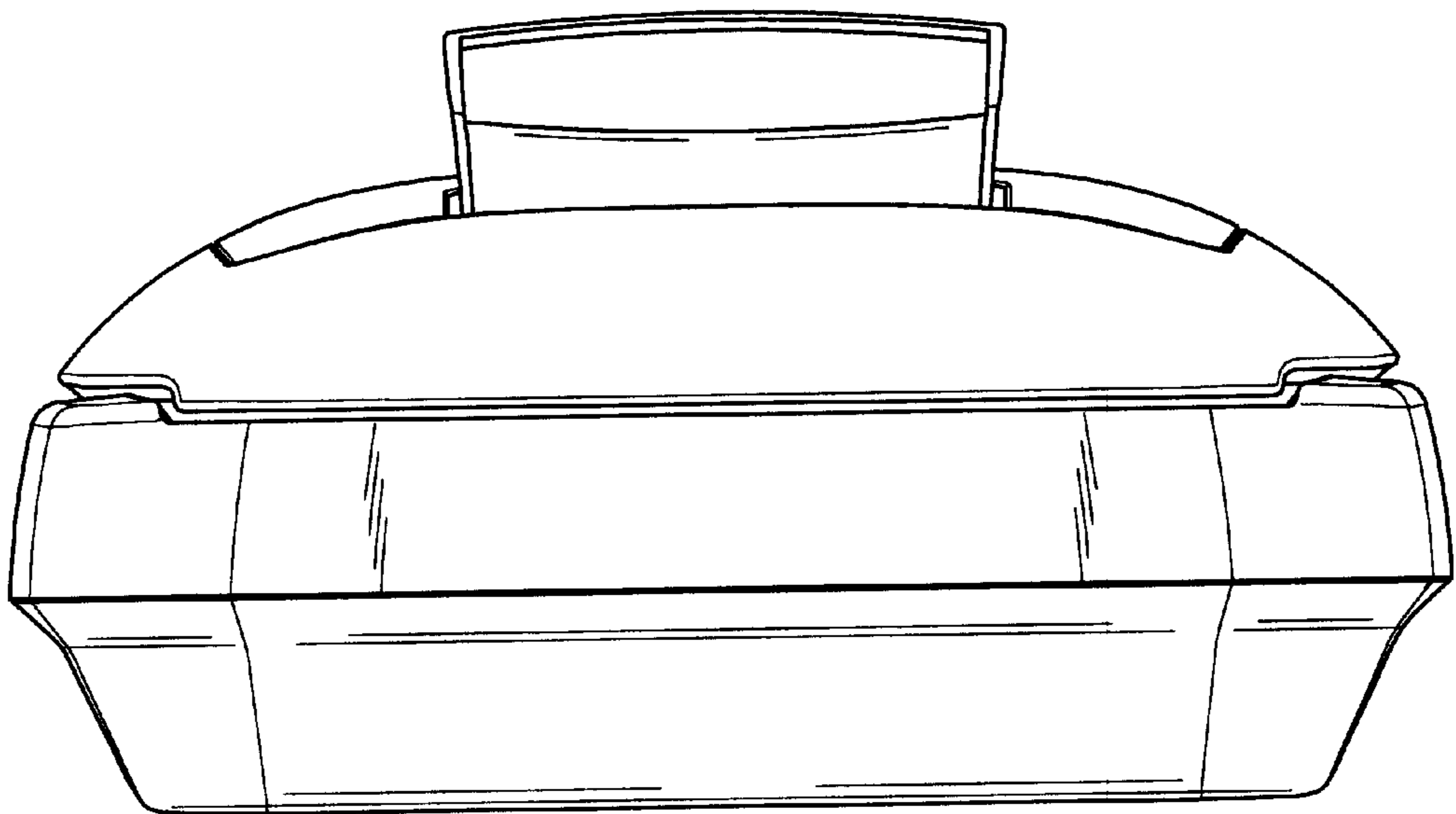
**FIG. 3**



**FIG. 4**



**FIG. 5**



**FIG. 6**

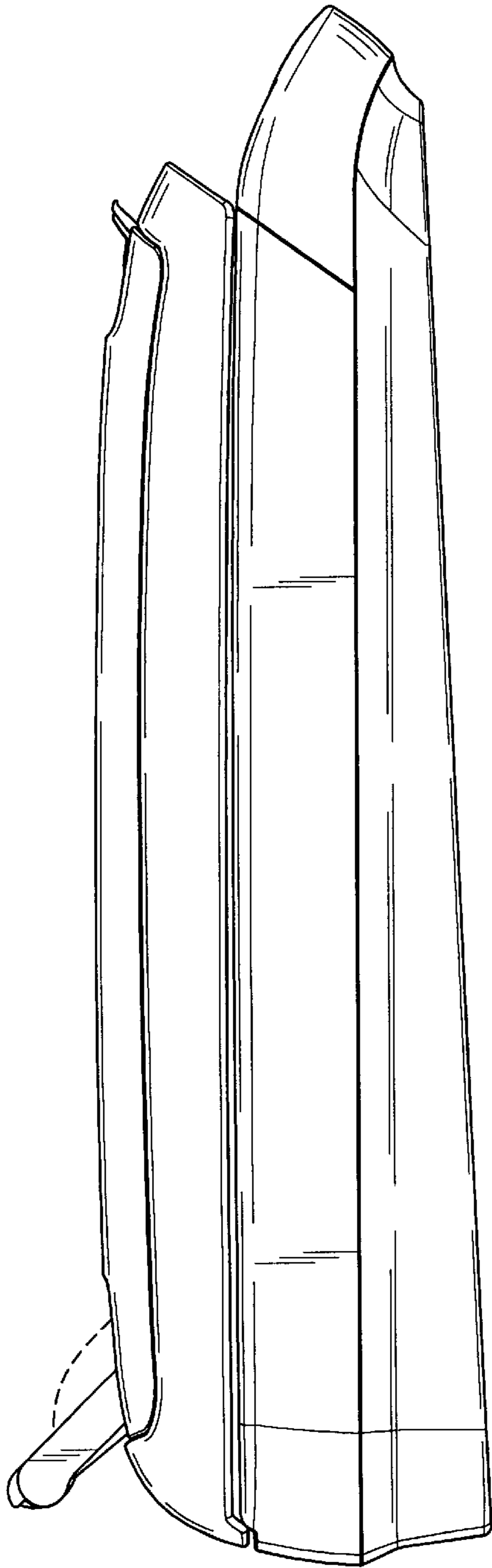


FIG. 7

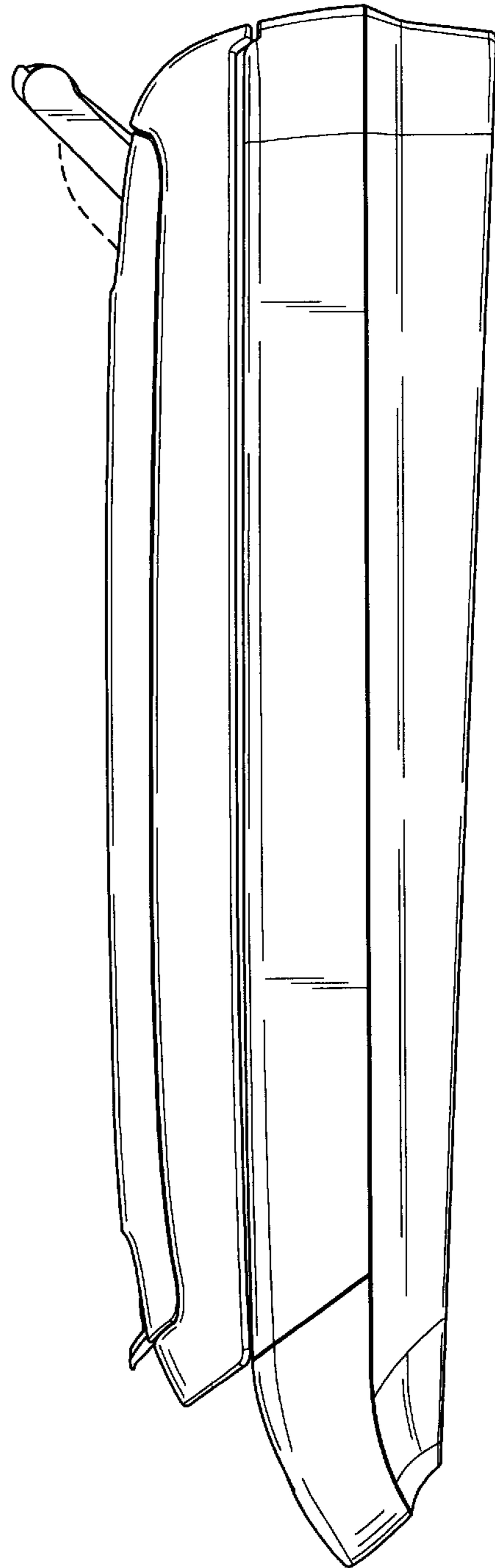


FIG. 8



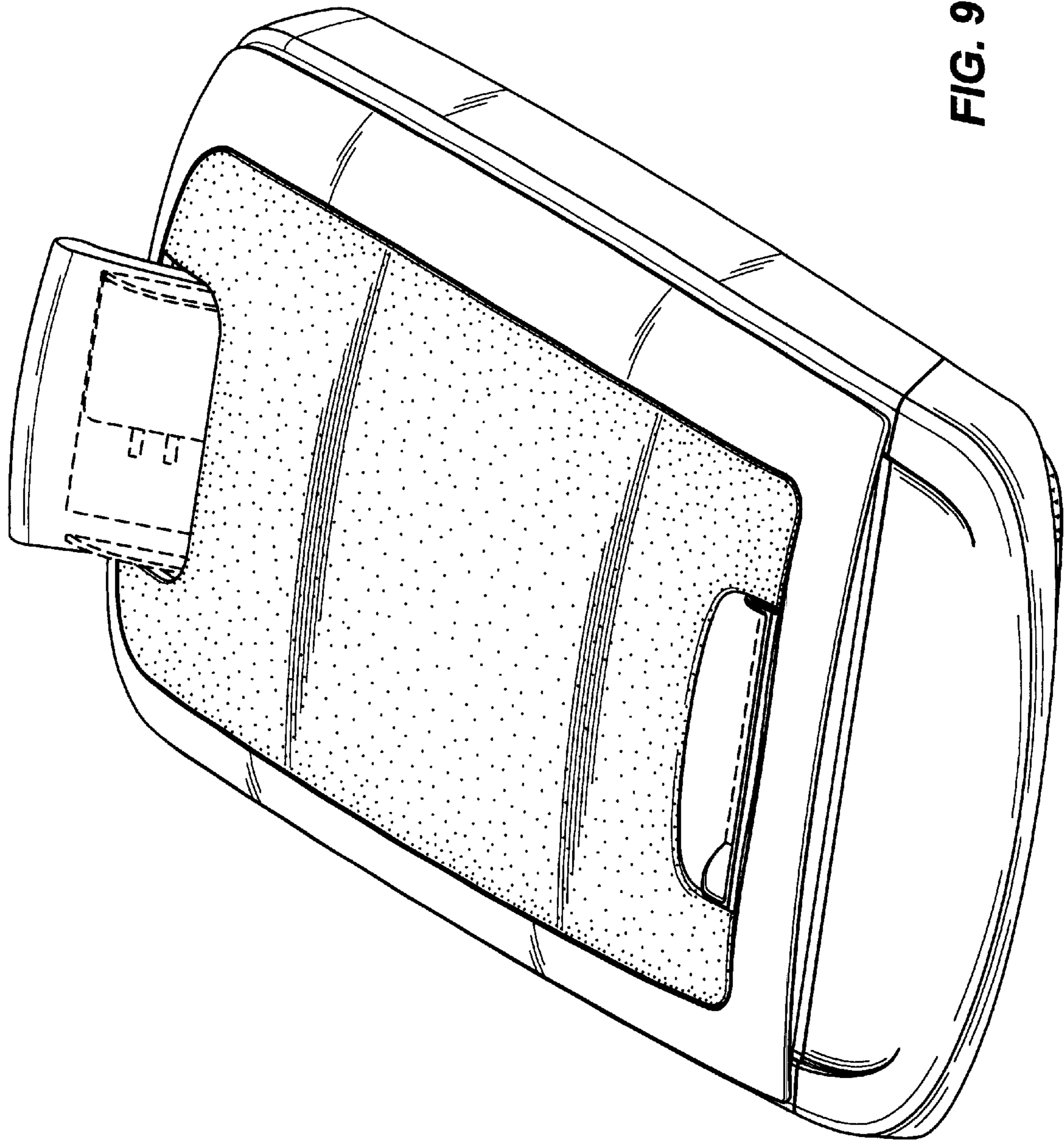


FIG. 9

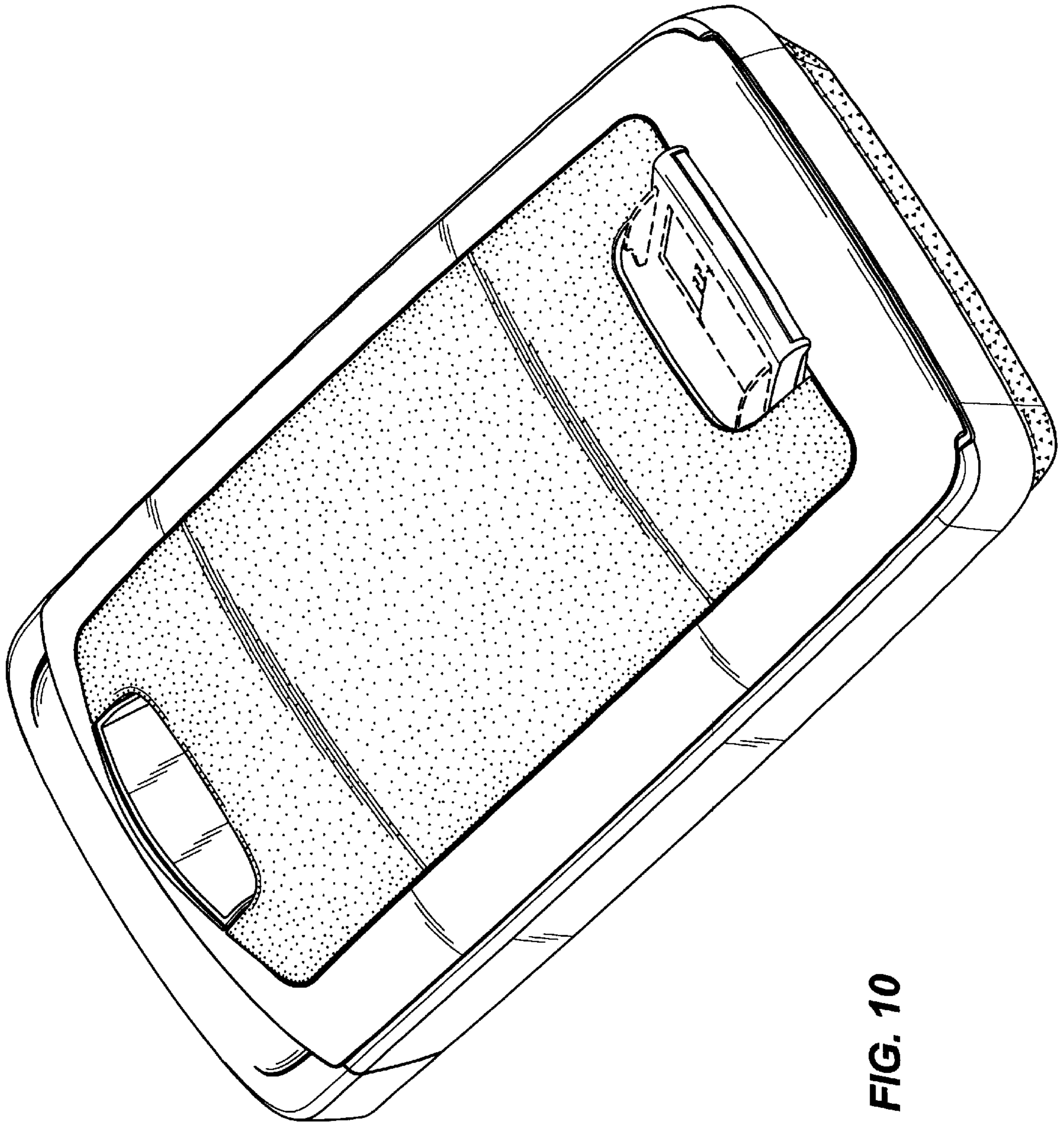
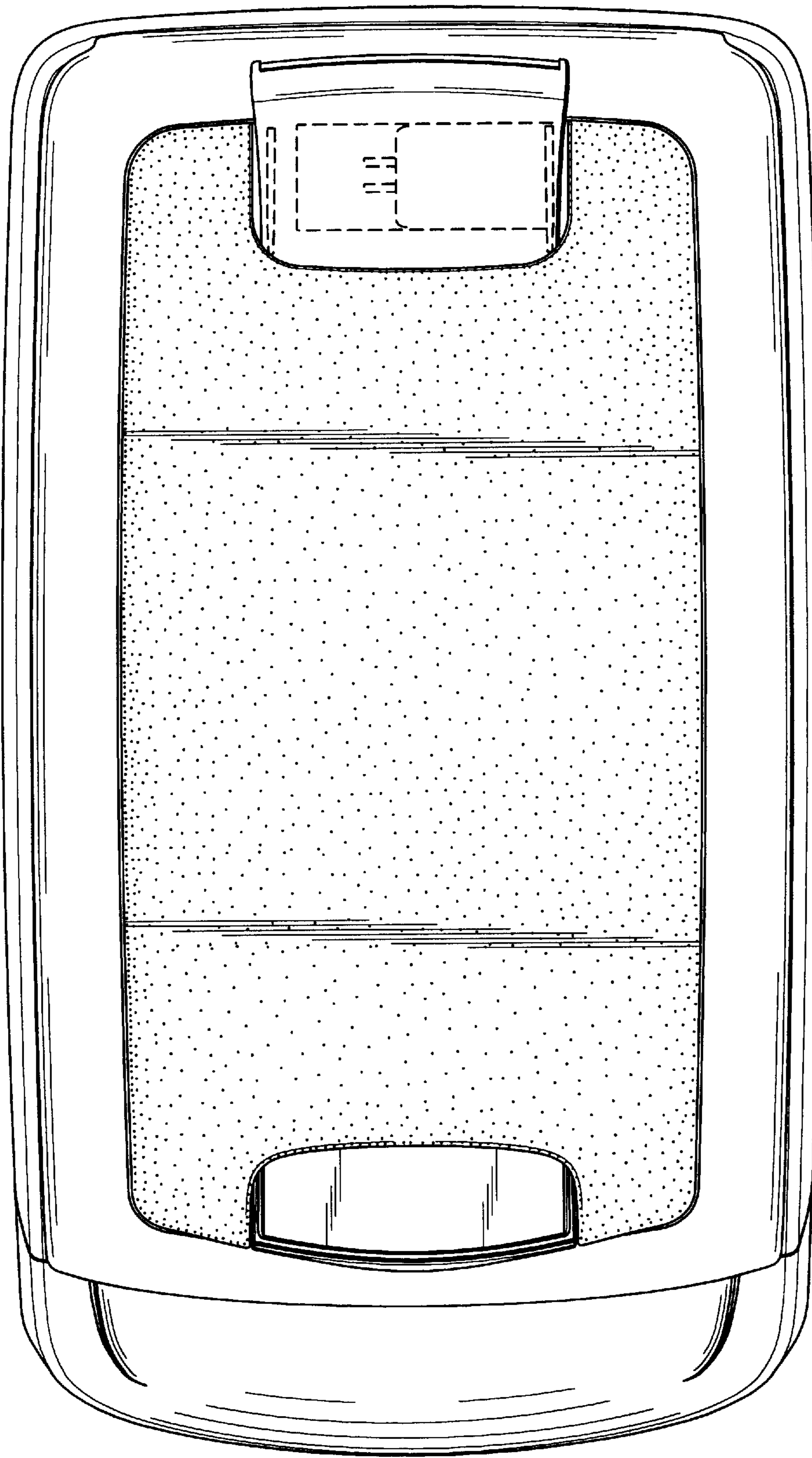
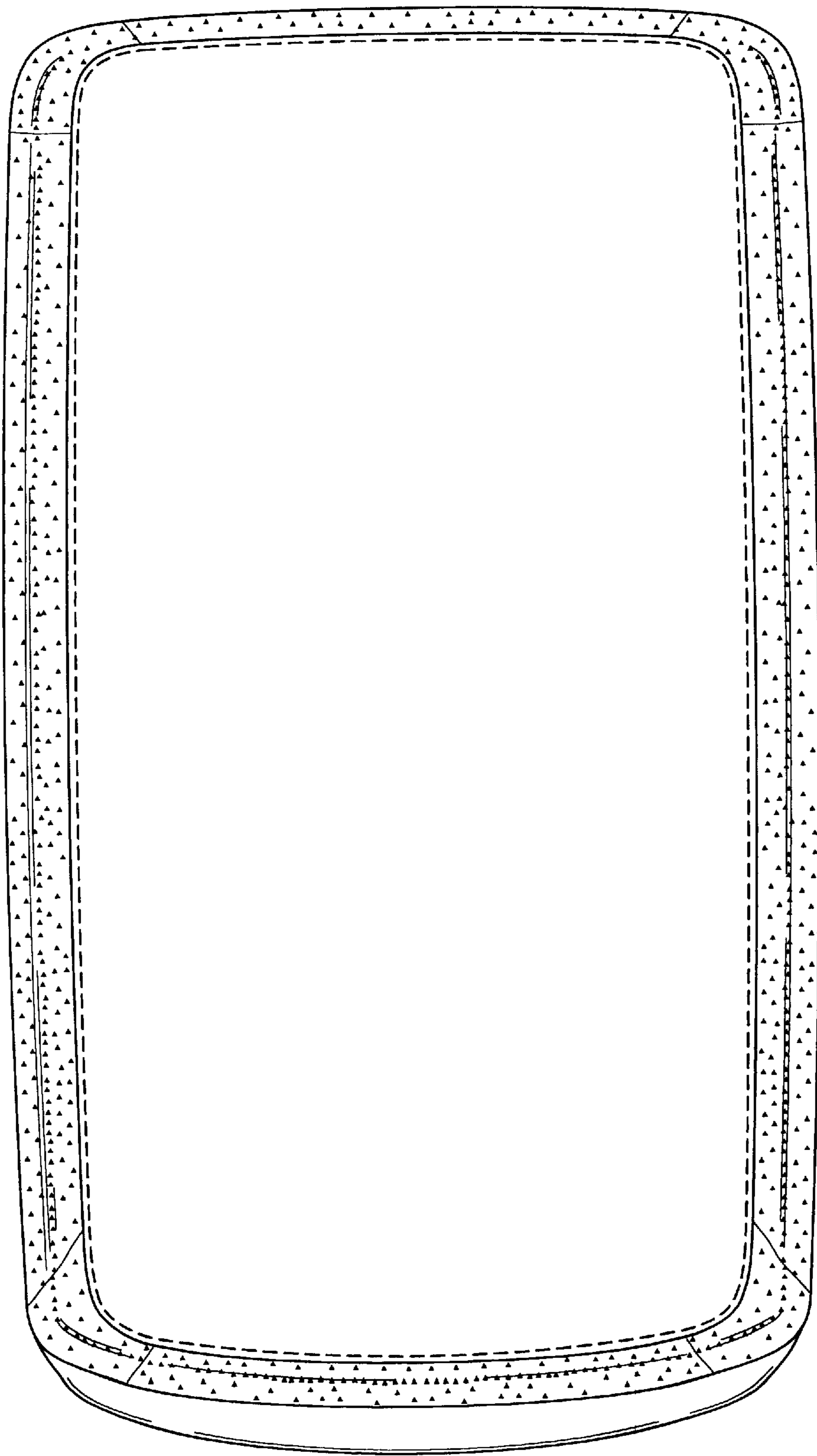


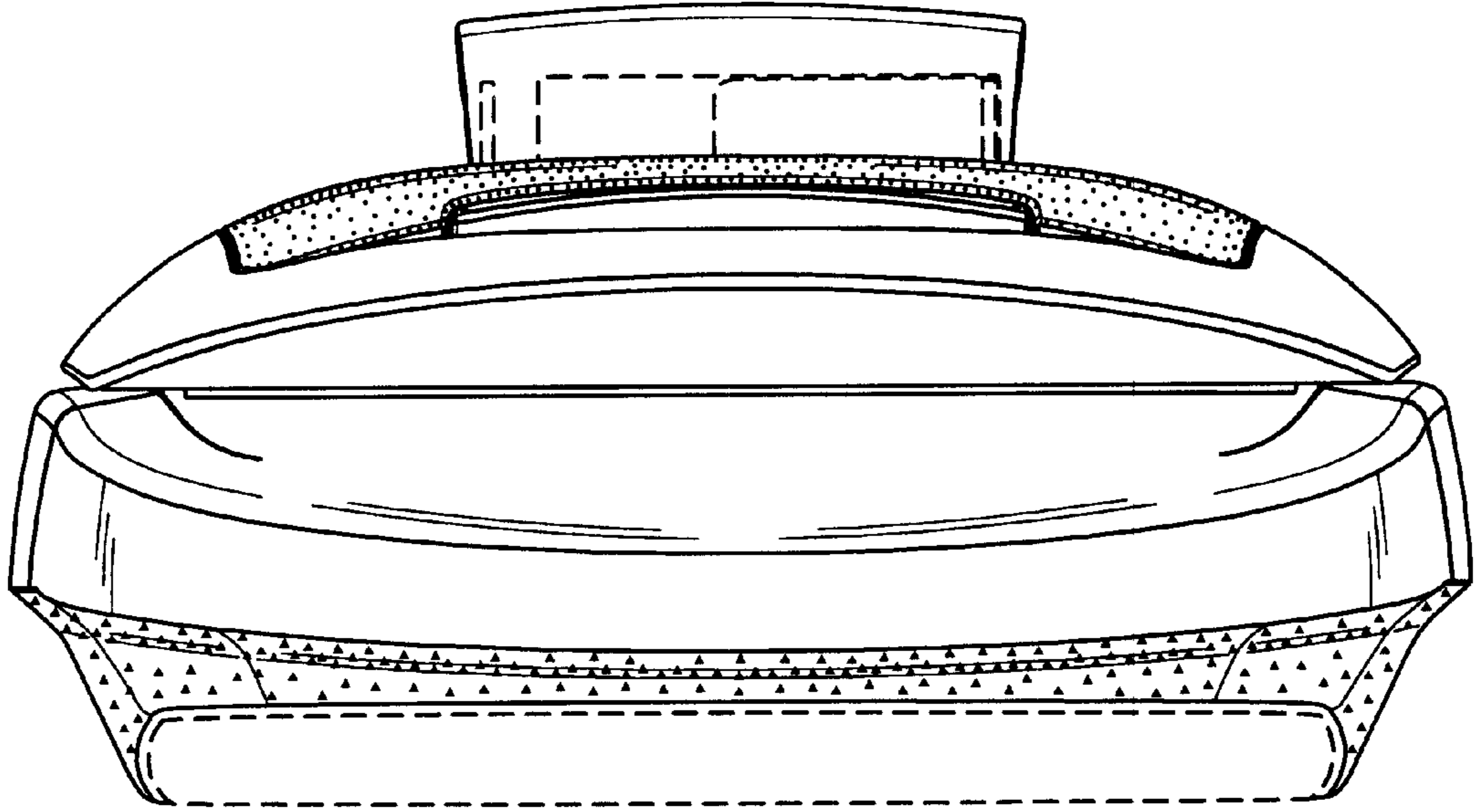
FIG. 10



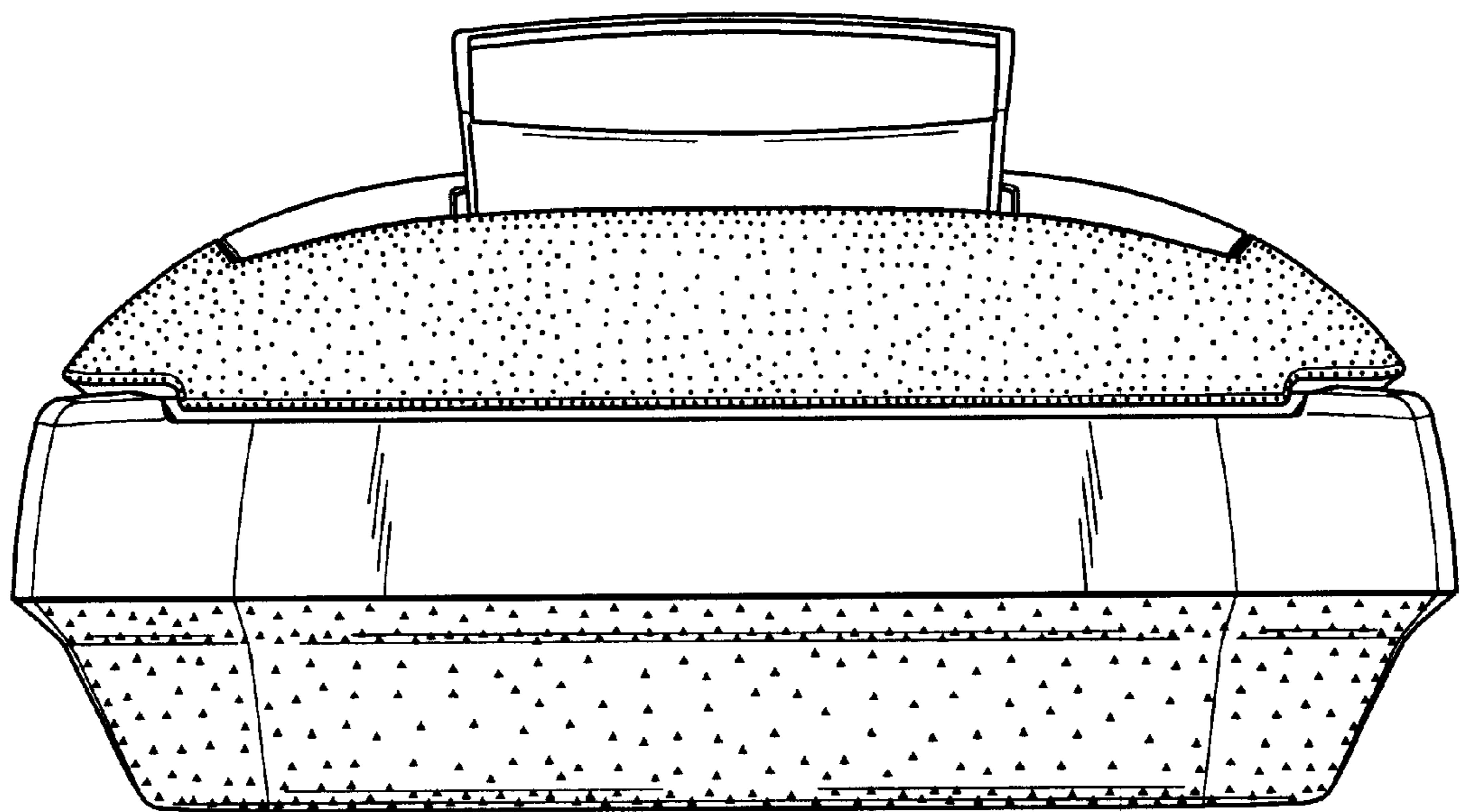
**FIG. 11**



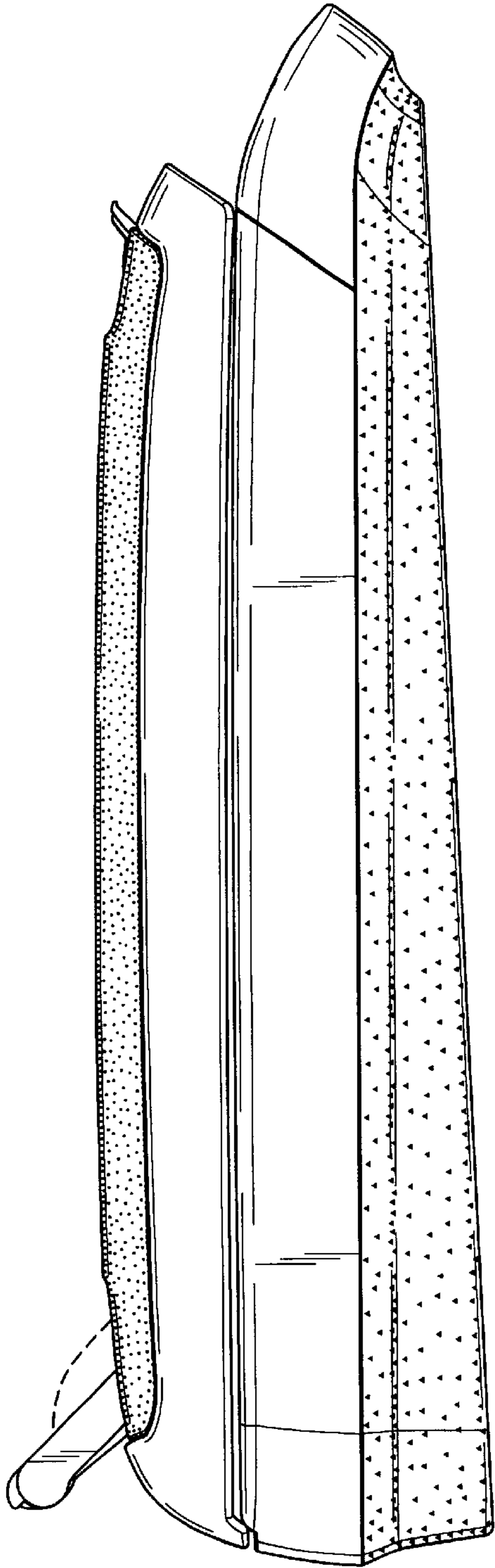
**FIG. 12**



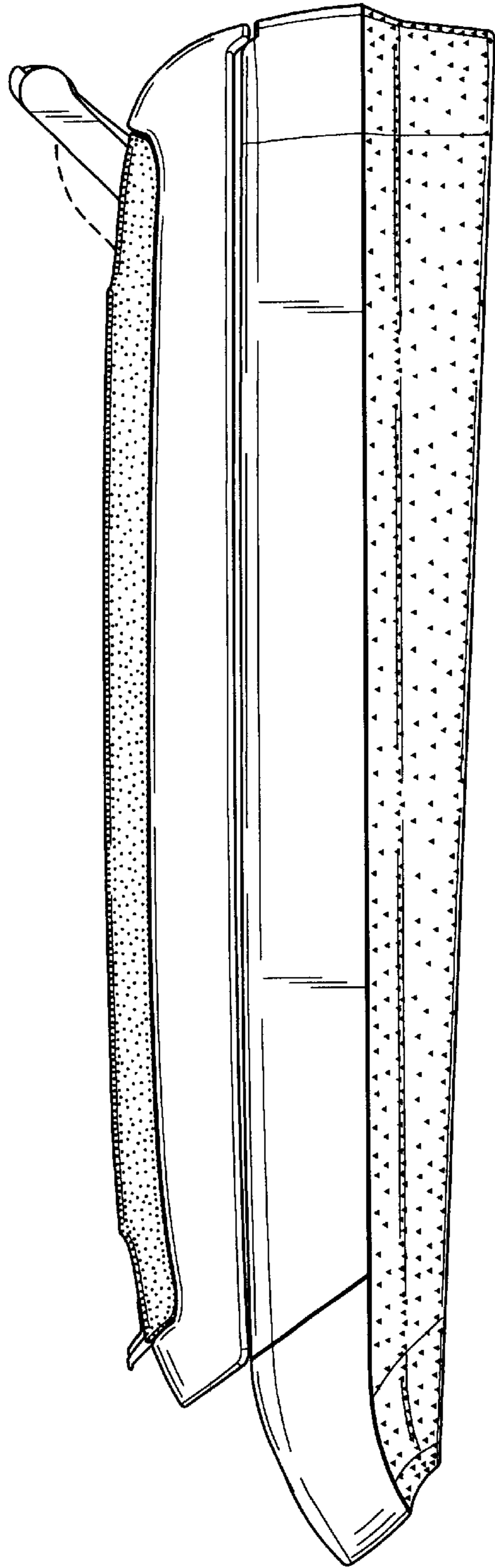
**FIG. 13**



**FIG. 14**



**FIG. 15**



**FIG. 16**