



US00D478080S

(12) **United States Design Patent**  
**Wu**

(10) **Patent No.:** **US D478,080 S**

(45) **Date of Patent:** **\*\* Aug. 5, 2003**

(54) **LIQUID CRYSTAL DISPLAY**

D417,659 S \* 12/1999 Takemasa ..... D14/374  
D432,101 S \* 10/2000 Oba ..... D14/126

(76) Inventor: **Alpha Wu**, PO Box 82-144, Taipei  
(TW)

\* cited by examiner

(\*\*) Term: **14 Years**

*Primary Examiner*—Freda Nunn  
(74) *Attorney, Agent, or Firm*—Leong C. Lei

(21) Appl. No.: **29/162,980**

(57) **CLAIM**

(22) Filed: **Jun. 26, 2002**

The ornamental design for a liquid crystal display, as shown and described.

(51) **LOC (7) Cl.** ..... **14-02**

**DESCRIPTION**

(52) **U.S. Cl.** ..... **D14/374**

(58) **Field of Search** ..... D14/371-376,  
D14/125-129; 248/917-924; 341/12; 345/104,  
156, 168, 173; 348/180, 184, 325, 739;  
349/1, 2, 11, 62; 361/680-686

FIG. 1 is perspective view of a liquid crystal display showing my new design;

FIG. 2 is a front side elevation view thereof;

FIG. 3 is a rear side elevation view thereof;

FIG. 4 is a left side elevation view thereof;

FIG. 5 is a right side elevation view thereof;

FIG. 6 is a top plan view thereof; and,

FIG. 7 is a bottom plan view thereof.

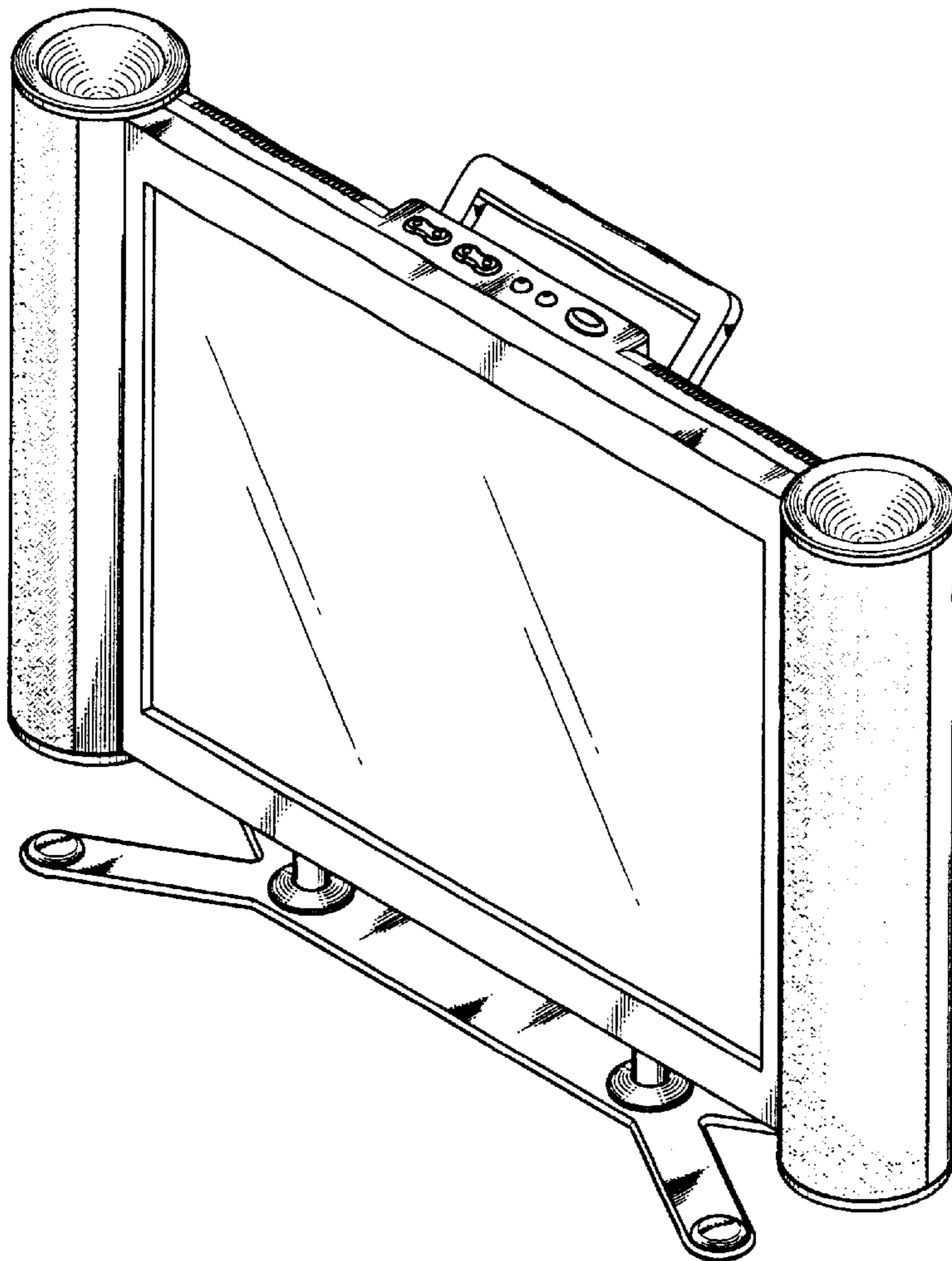
(56) **References Cited**

**U.S. PATENT DOCUMENTS**

D392,628 S \* 3/1998 Hayashi ..... D14/374

D395,453 S \* 6/1998 Kawasaki et al. .... D20/10

**1 Claim, 4 Drawing Sheets**



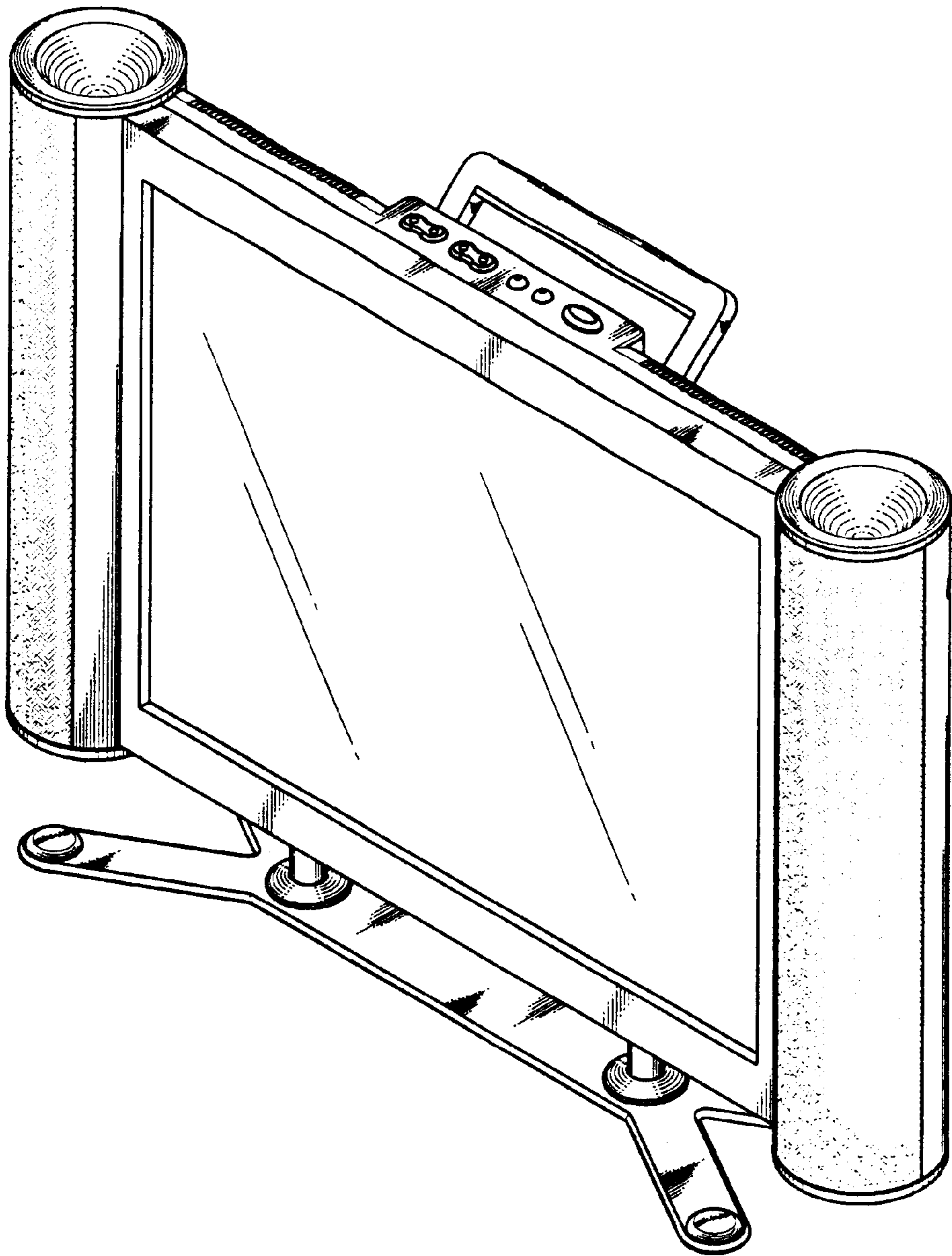
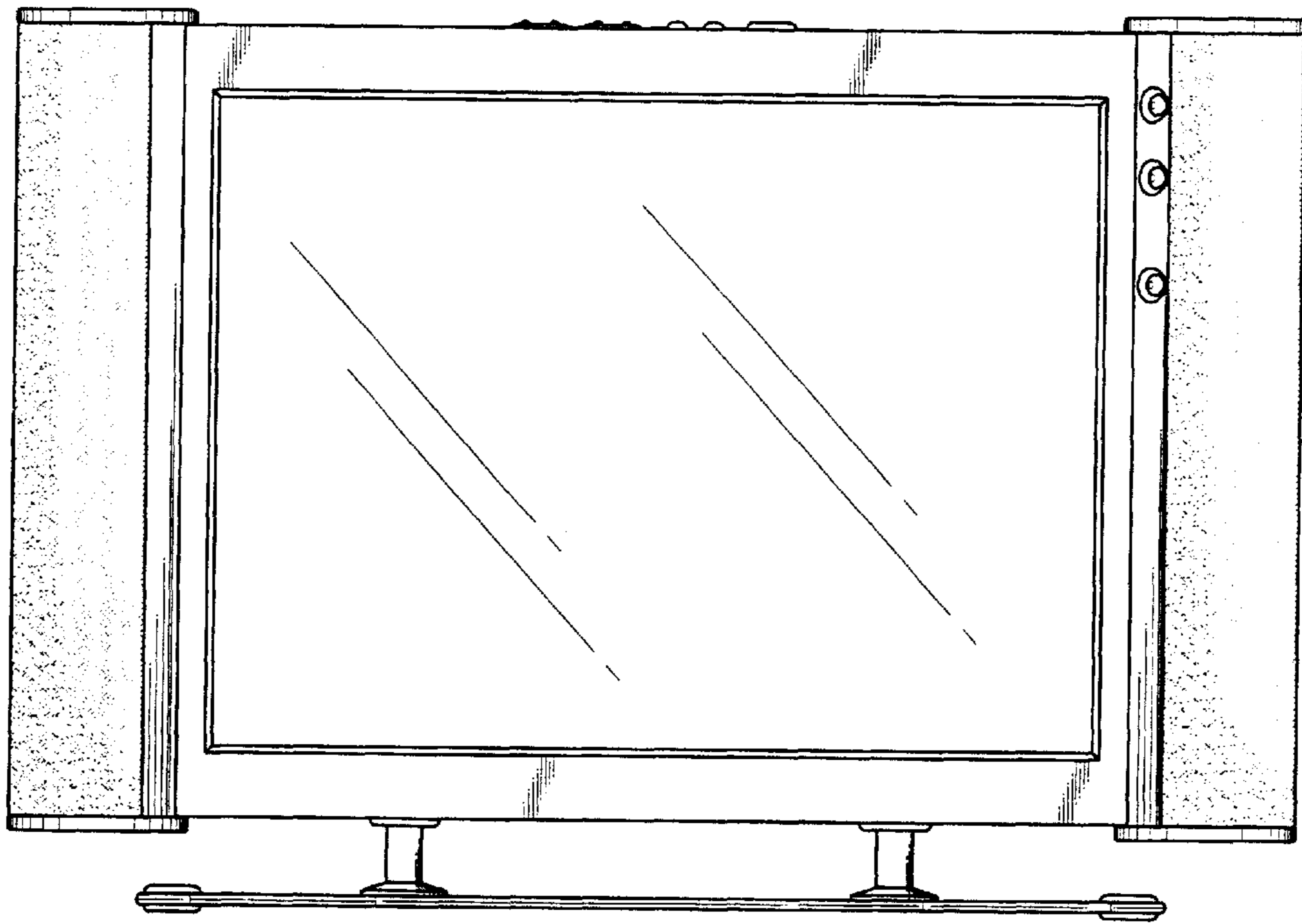
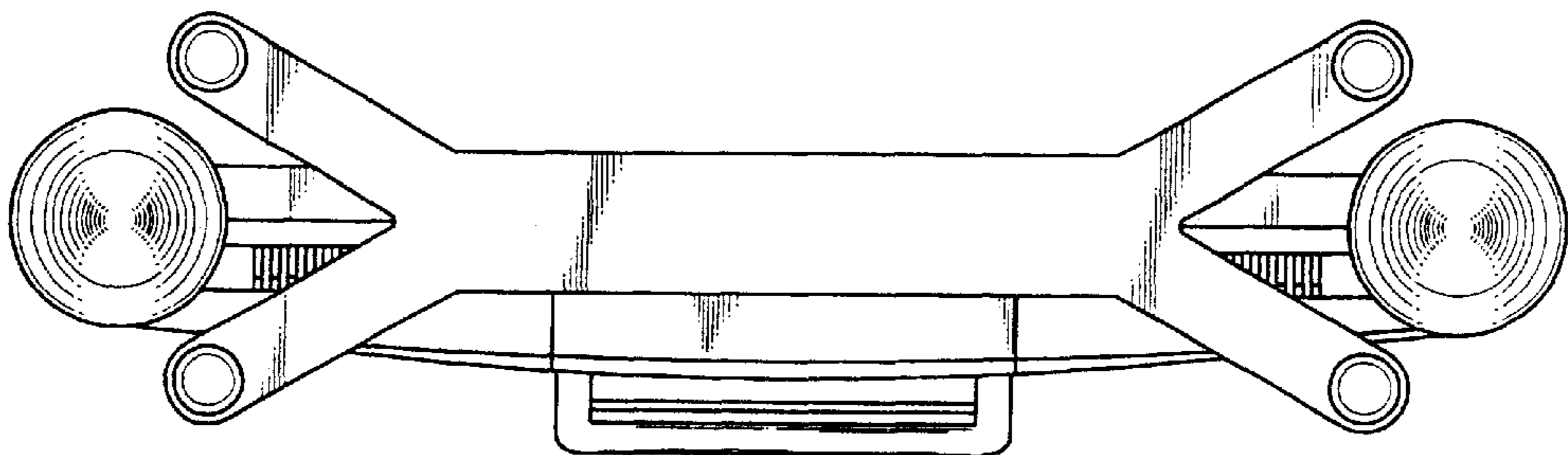


FIG. 1



**FIG. 2**



**FIG. 7**

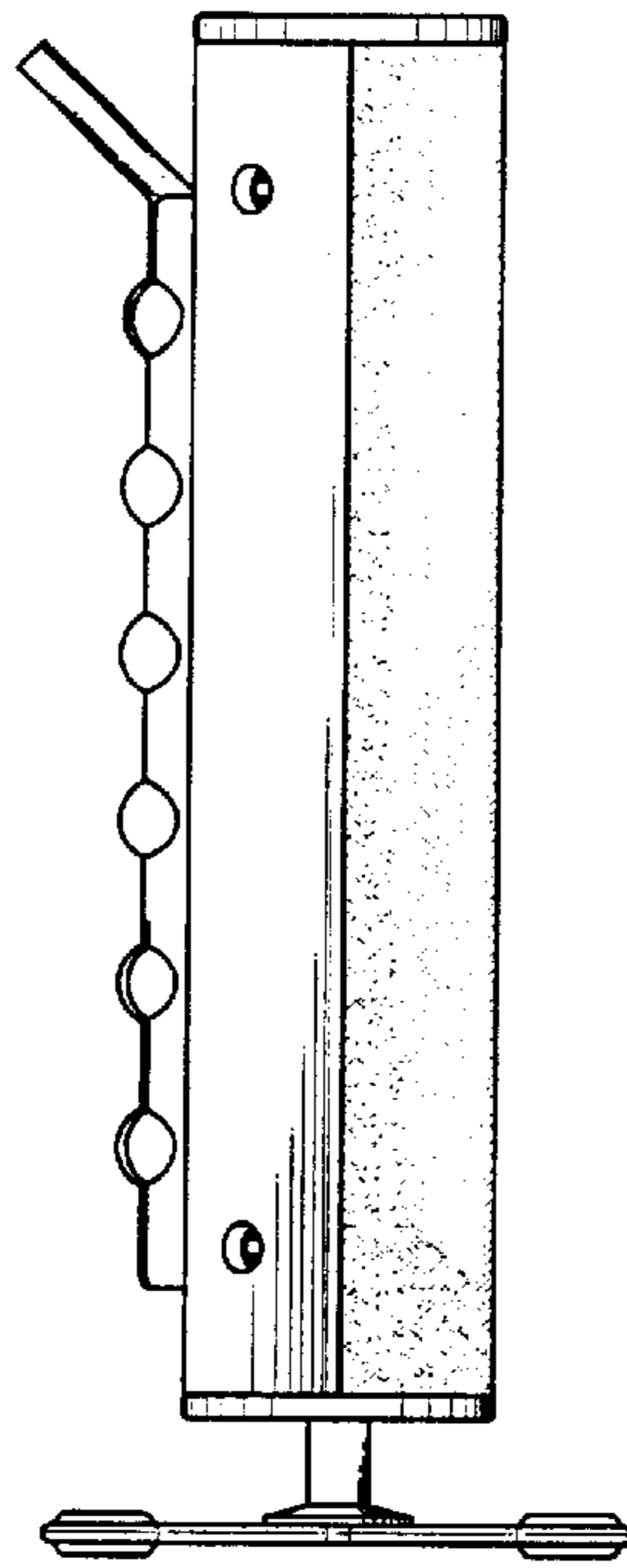


FIG. 4

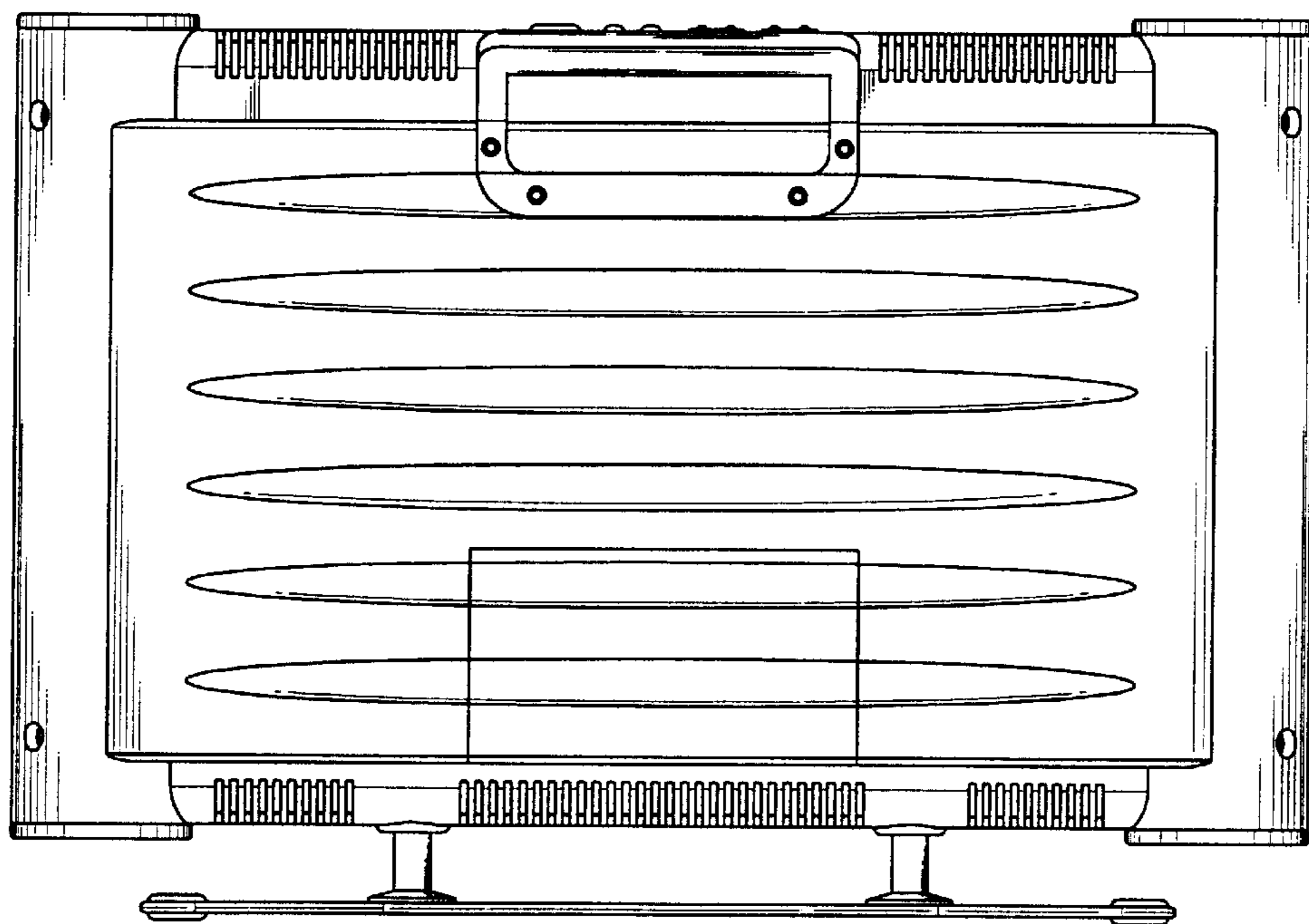
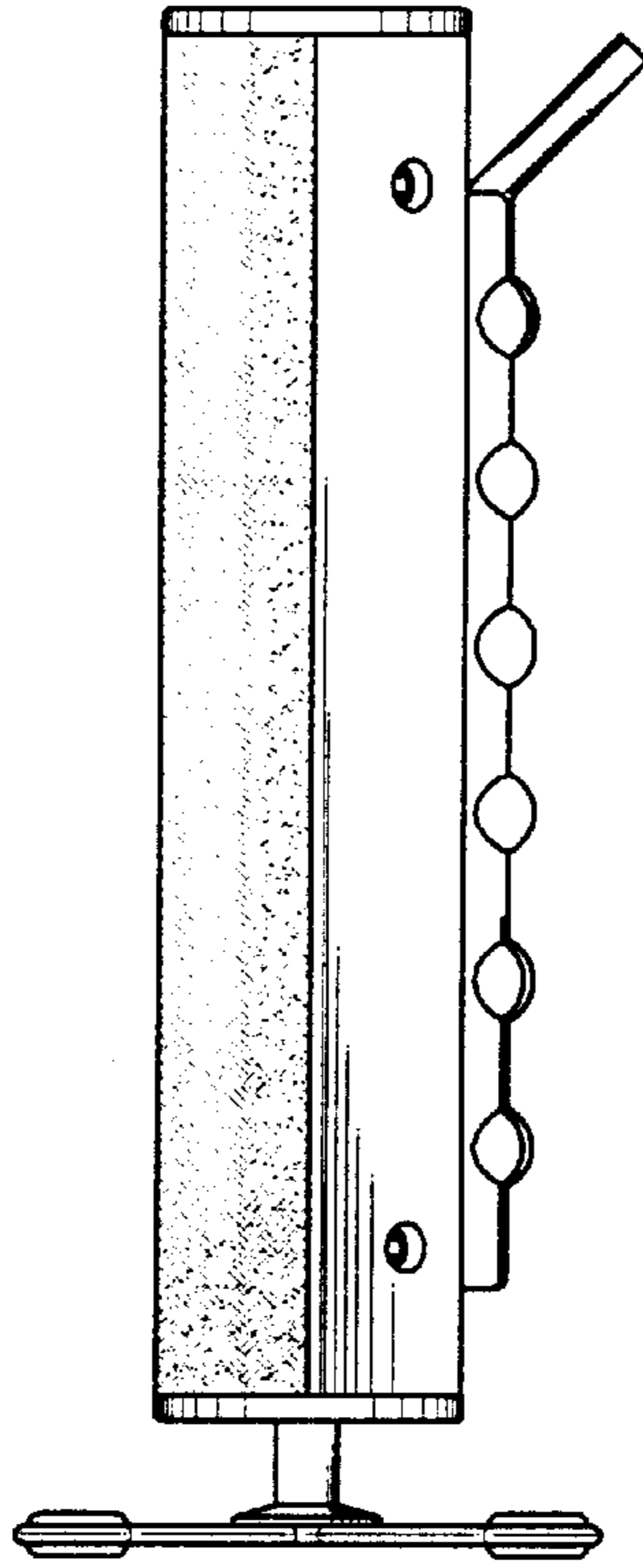
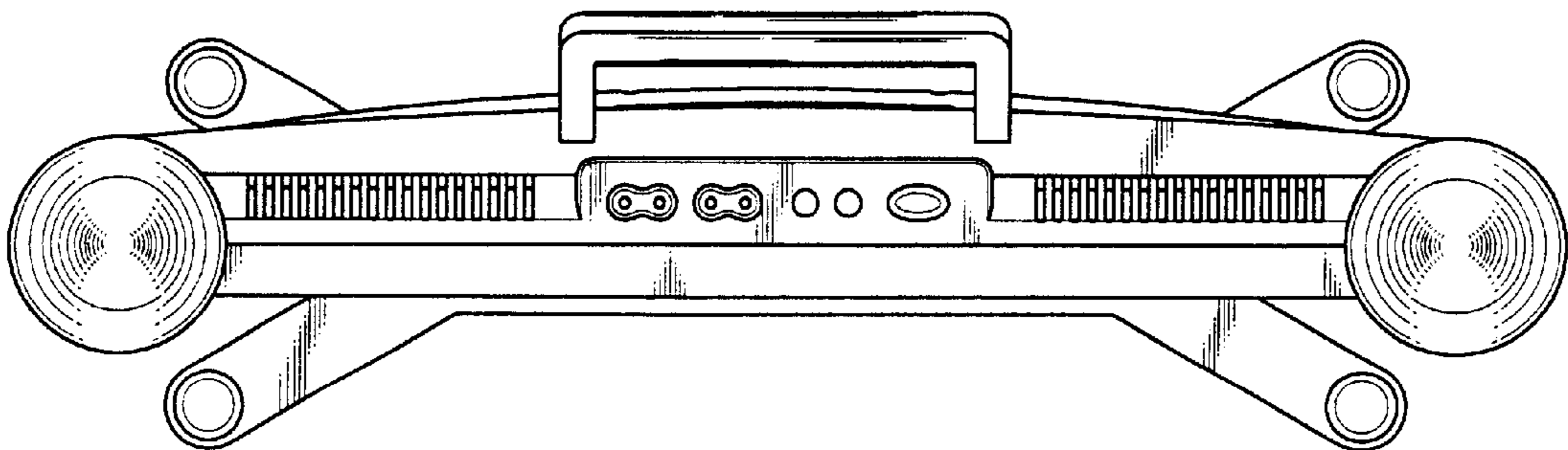


FIG. 3



**FIG. 5**



**FIG. 6**