



US00D478076S

(12) **United States Design Patent**  
**Hong**

(10) **Patent No.:** **US D478,076 S**

(45) **Date of Patent:** **\*\* Aug. 5, 2003**

- (54) **DIGITAL FLAT PANEL ALBUM**
- (75) Inventor: **Cuc Hong**, Cupertino, CA (US)
- (73) Assignee: **Hewlett-Packard Development Company, L.P.**, Houston, TX (US)
- (\*\*) Term: **14 Years**
- (21) Appl. No.: **29/159,870**
- (22) Filed: **Apr. 29, 2002**
- (51) **LOC (7) Cl.** ..... **14-02**
- (52) **U.S. Cl.** ..... **D14/345**
- (58) **Field of Search** ..... D14/341-345;  
D18/1, 27; 235/145 A, 145 R; 341/22,  
23, 20; 345/156, 168, 169, 172, 173, 87;  
361/680-686

- D430,117 S \* 8/2000 Sachs et al. .... D14/345
- D435,550 S \* 12/2000 Chu et al. .... D14/345
- D448,764 S \* 10/2001 Marsalka et al. .... D14/345
- D449,606 S \* 10/2001 Lee et al. .... D14/345

\* cited by examiner

*Primary Examiner*—Freda Nunn

(57) **CLAIM**

The ornamental design for a digital flat panel album, as shown and described.

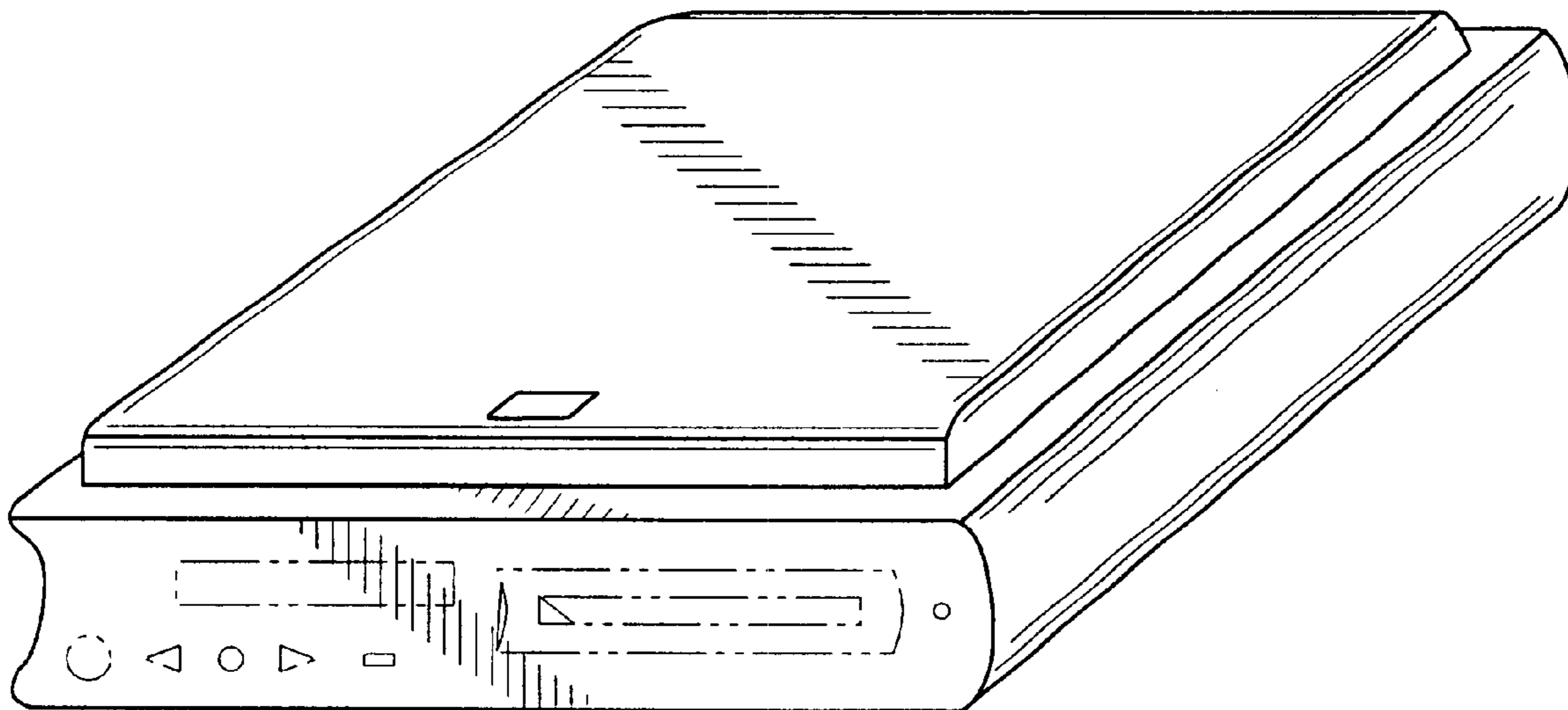
**DESCRIPTION**

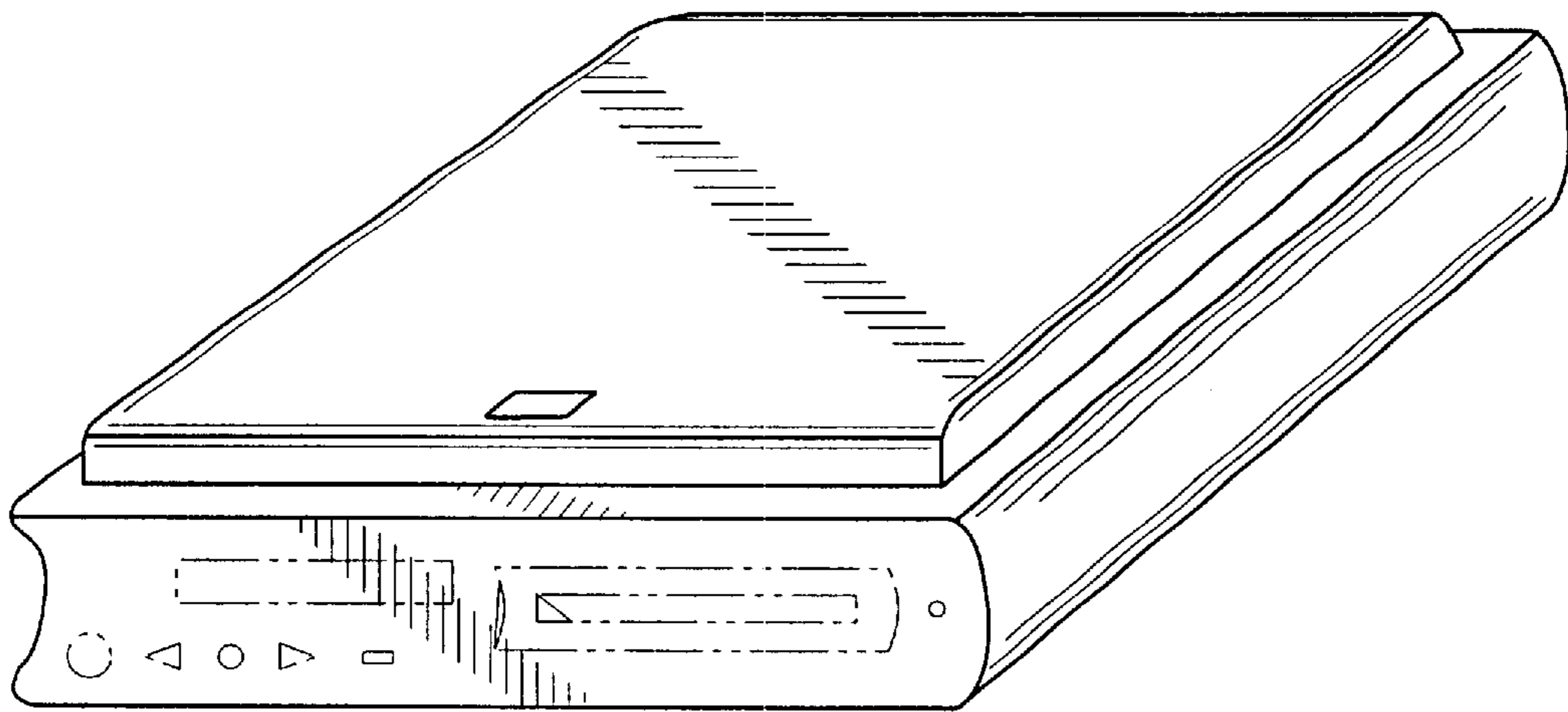
FIG. 1 is perspective view of the invention;  
FIG. 2 is a front end view thereof;  
FIG. 3 is a back end view thereof;  
FIG. 4 is a right side view thereof;  
FIG. 5 is a left side view thereof;  
FIG. 6 is a top view thereof; and,  
FIG. 7 is a bottom view thereof.

The broken lines are shown in the views for illustrative purposes only and form no part of the claimed design.

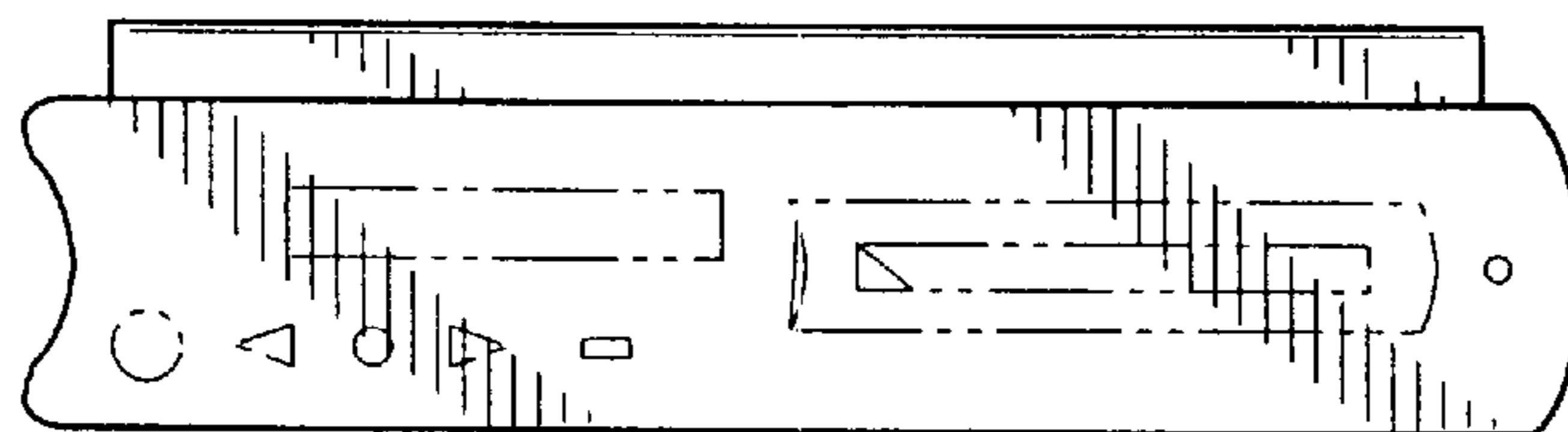
- (56) **References Cited**
- U.S. PATENT DOCUMENTS**
- D399,526 S \* 10/1998 Brady ..... D14/345
- D428,882 S \* 8/2000 Musa ..... D14/345

**1 Claim, 3 Drawing Sheets**

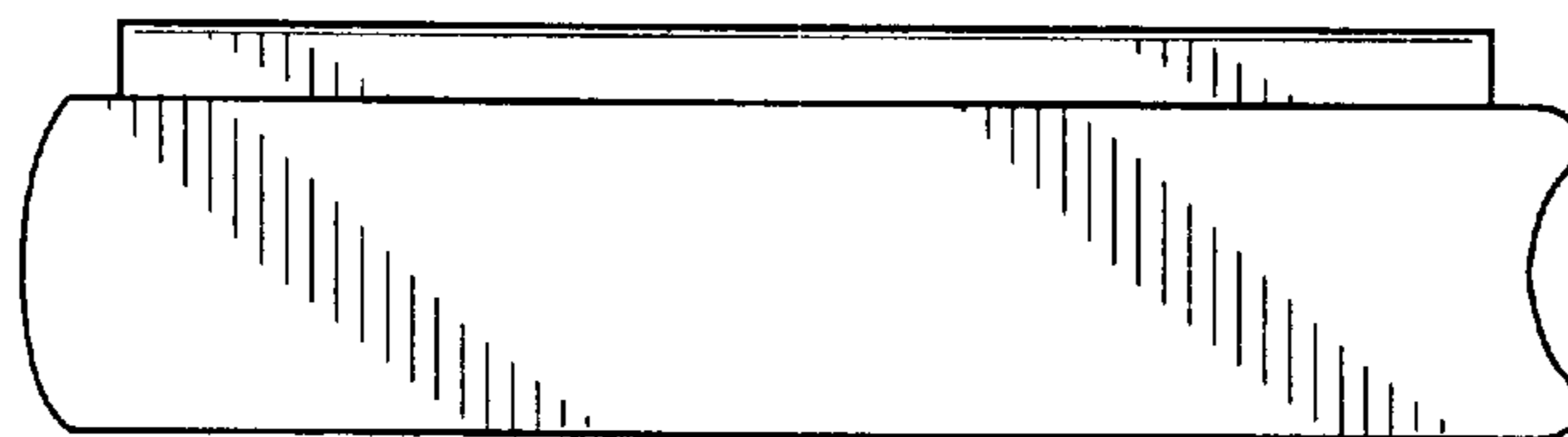




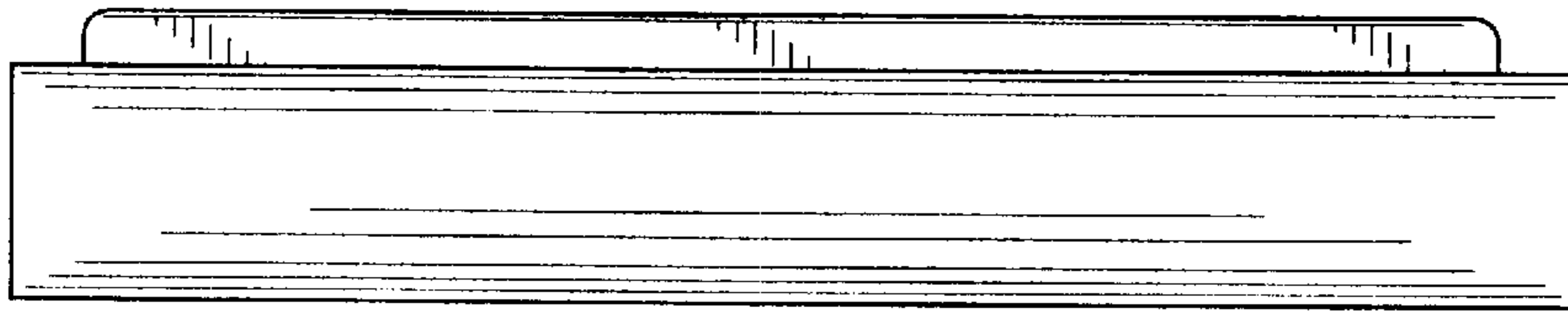
**Fig. 1**



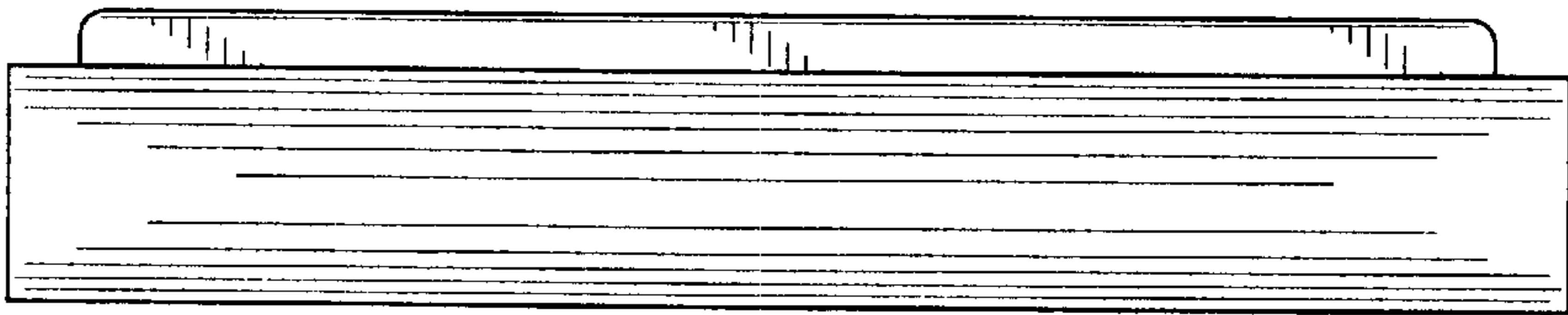
**Fig. 2**



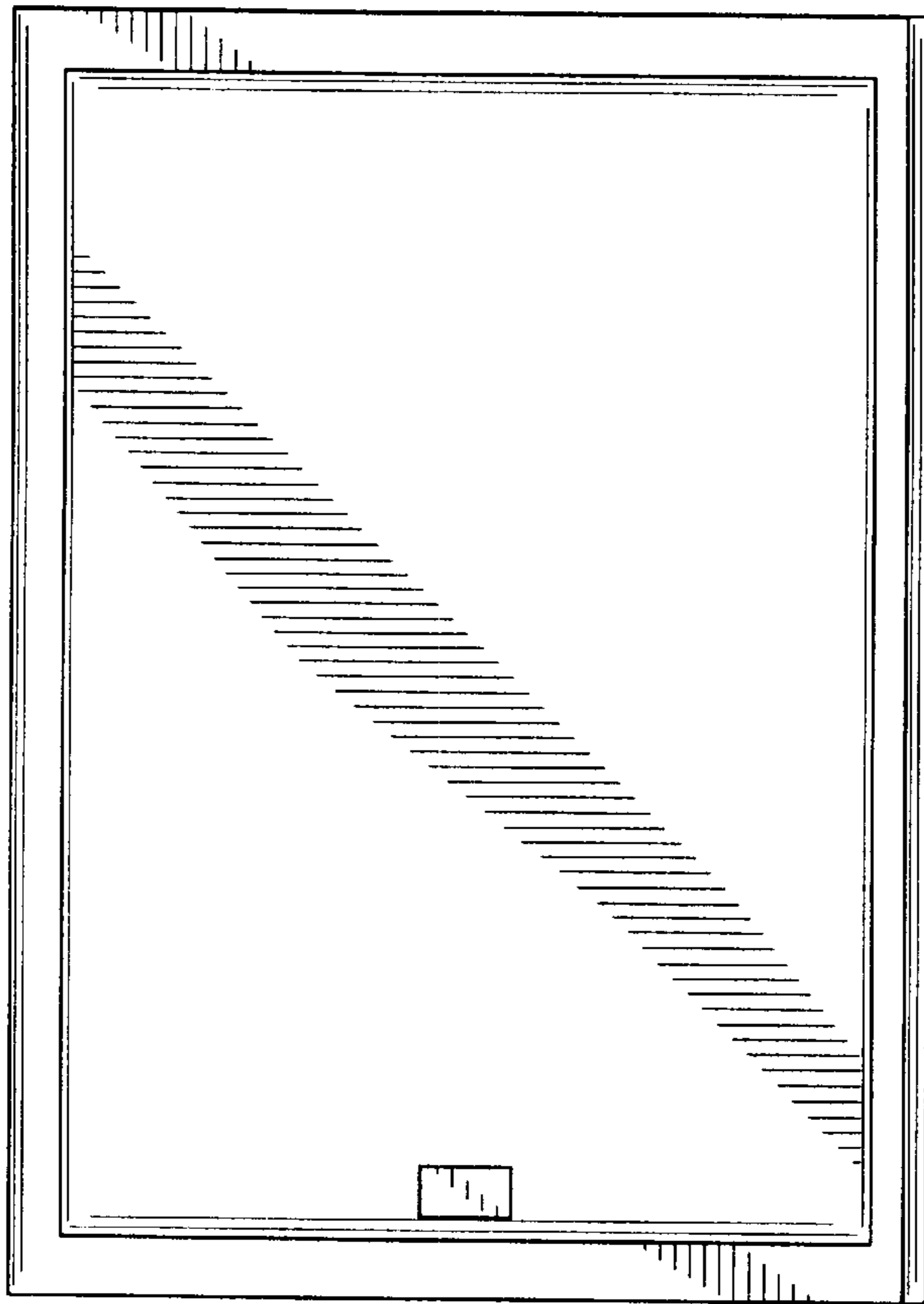
**Fig. 3**



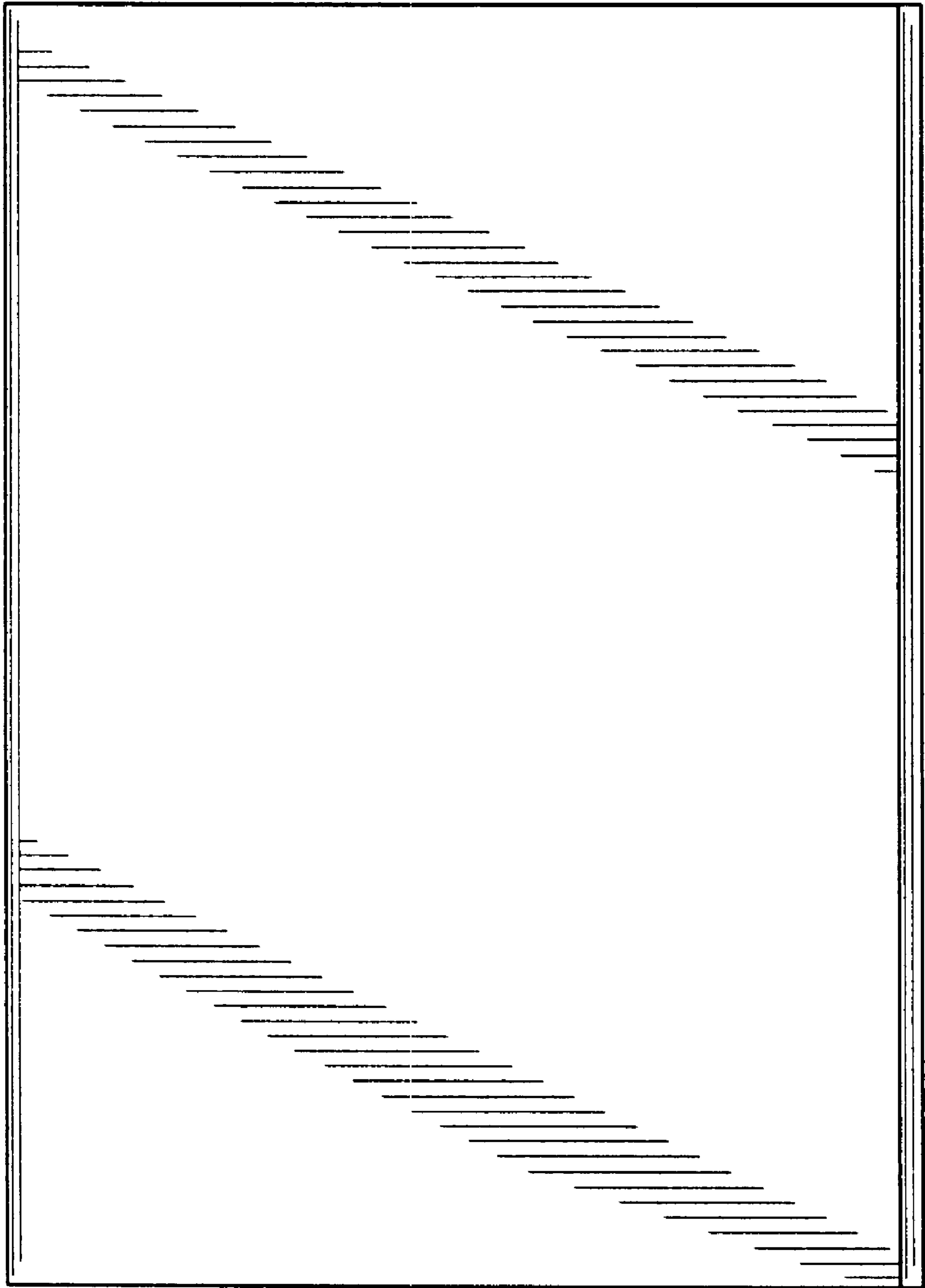
**Fig. 4**



**Fig. 5**



**Fig. 6**



**Fig. 7**