



US00D478069S

(12) **United States Design Patent**
Beck et al.

(10) **Patent No.:** **US D478,069 S**

(45) **Date of Patent:** **** Aug. 5, 2003**

(54) **COMMUNICATION INTERFACE WITH EXTERNAL CONTROLS**

(75) Inventors: **Benjamin Beck**, Boston, MA (US);
Douglas A. Marsden, Lynnfield, MA (US); **Stephen R. Lyman**, Hudson, NH (US)

(73) Assignee: **GN Netcom, Inc.**, Nashua, NH (US)

(**) Term: **14 Years**

(21) Appl. No.: **29/132,084**

(22) Filed: **Nov. 1, 2000**

(51) **LOC (7) Cl.** **14-03**

(52) **U.S. Cl.** **D14/240**

(58) **Field of Search** D14/137, 240, D14/138, 242, 308, 356, 357, 358, 311, 313, 441, 144, 348-355, 370, 341-347, 125, 432, 433, 155, 299, 257, 439, 140, 188, 230, 241, 243, 245; 379/433.01-433.13, 419, 434, 428.01-428.04, 420.01-420.04, 440, 441, 442; 455/550-575, 90; D13/184, 123, 152, 147, 110, 164; 200/296, 293

(56) **References Cited**

U.S. PATENT DOCUMENTS

D339,115 S	*	9/1993	Eilertsen	D14/107
D363,707 S	*	10/1995	Crane, Jr. et al.	D14/102
D366,455 S	*	1/1996	Cheng	D13/147
D369,923 S	*	5/1996	Crane, Jr. et al.	D6/441
D382,254 S	*	8/1997	Crane, Jr. et al.	D14/102
5,697,809 A	*	12/1997	Chung	439/501
D413,894 S	*	9/1999	Matthews et al.	D14/240
D425,909 S	*	5/2000	Chen et al.	D14/301

D427,594 S	*	7/2000	Lai	D14/349
D433,381 S	*	11/2000	Talesfore	D13/123
D438,200 S	*	2/2001	Hui	D14/301
D442,579 S	*	5/2001	Liau et al.	D14/301
D447,139 S	*	8/2001	Mache et al.	D14/351
D449,600 S	*	10/2001	Gallahan et al.	D14/299
D452,240 S	*	12/2001	Huh et al.	D14/351
D454,557 S	*	3/2002	Do et al.	D14/242

* cited by examiner

Primary Examiner—Jeffrey Asch

(74) *Attorney, Agent, or Firm*—Altera Law Group LLC

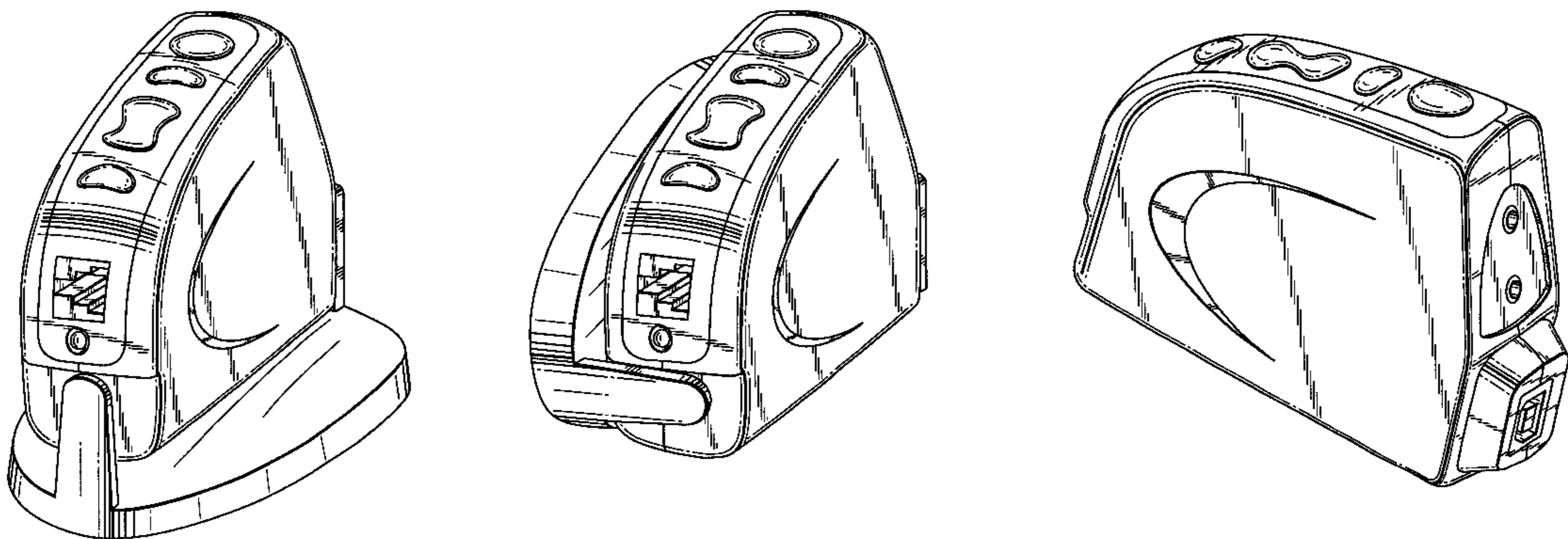
(57) **CLAIM**

The ornamental design for communication interface with external controls, as shown and described.

DESCRIPTION

FIG. 1 is a front perspective view without stand of the communication interface with external controls.
 FIG. 2 is a front perspective view with bottom stand thereof.
 FIG. 3 is a front perspective view with side stand thereof.
 FIG. 4 is an exploded front perspective view with side stand detached thereof.
 FIG. 5 is a front view without stand thereof.
 FIG. 6 is a back perspective view without stand thereof.
 FIG. 7 is a back view thereof.
 FIG. 8 is a top view thereof.
 FIG. 9 is a side view without stand thereof.
 FIG. 10 is a side view with stand thereof; and,
 FIG. 11 is an exploded perspective side view with detached stand thereof.
 FIGS. 1 and 5-9 have been shown without the stand for convenience of illustration.

1 Claim, 7 Drawing Sheets



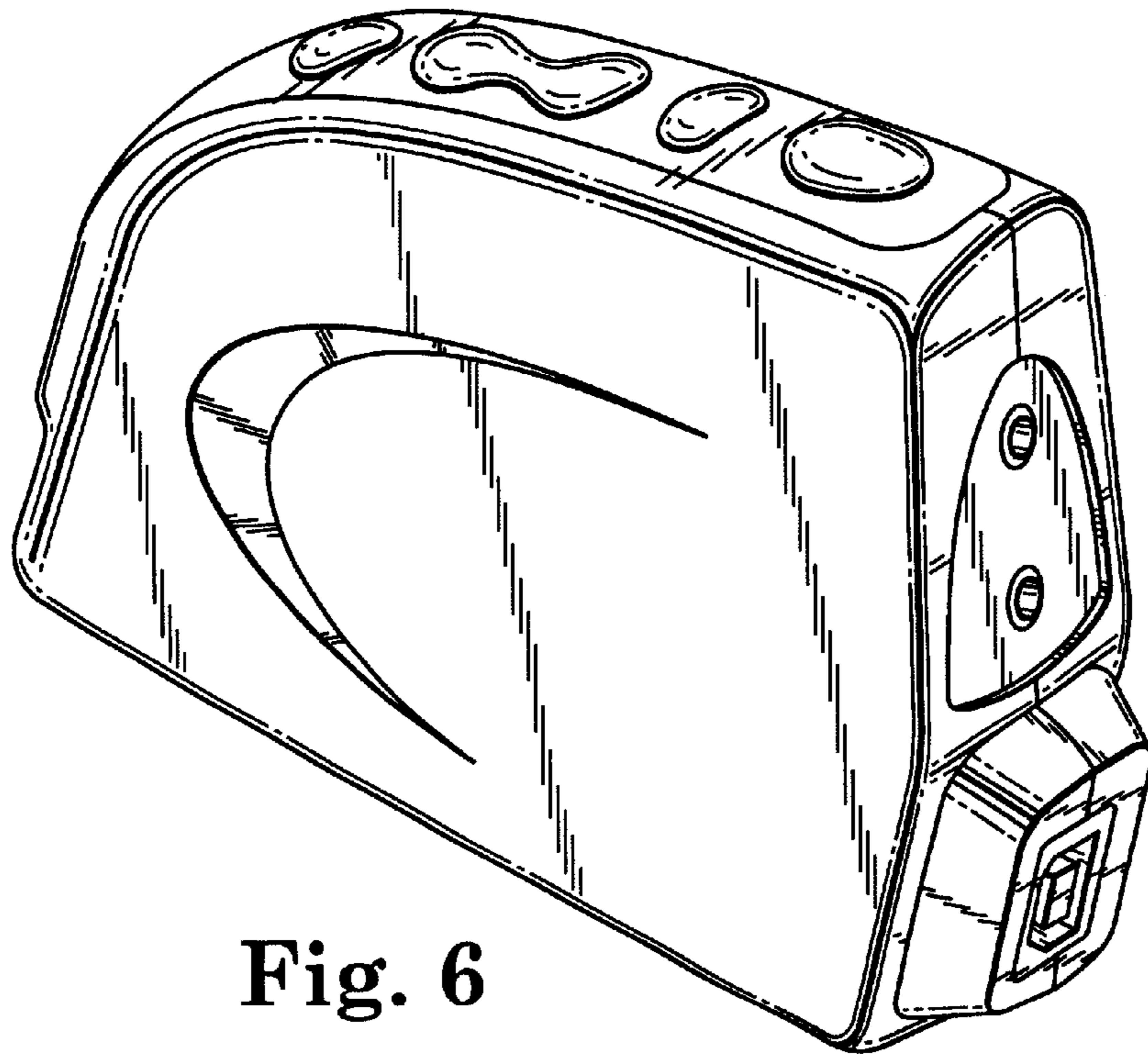


Fig. 6

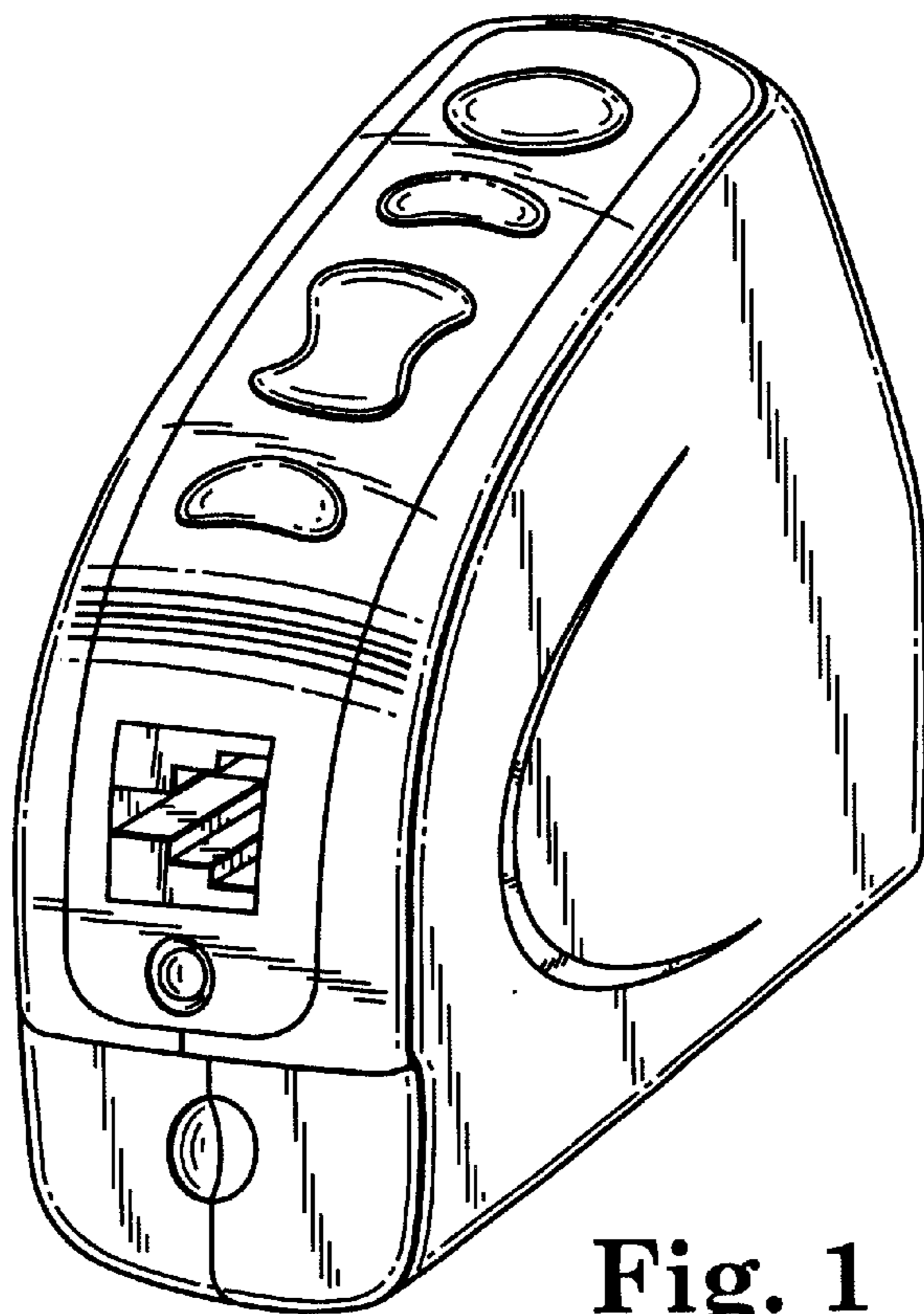


Fig. 1

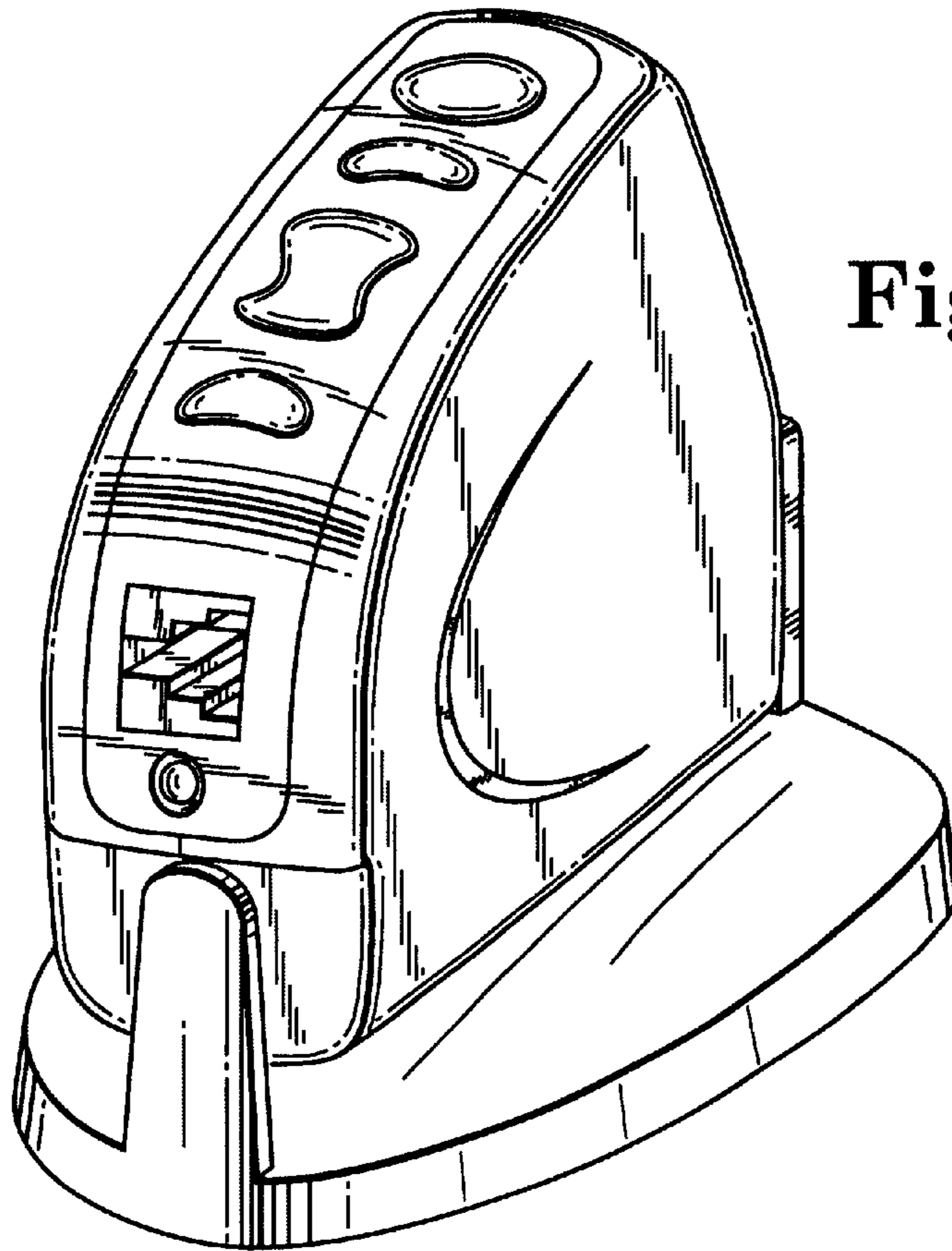


Fig. 2

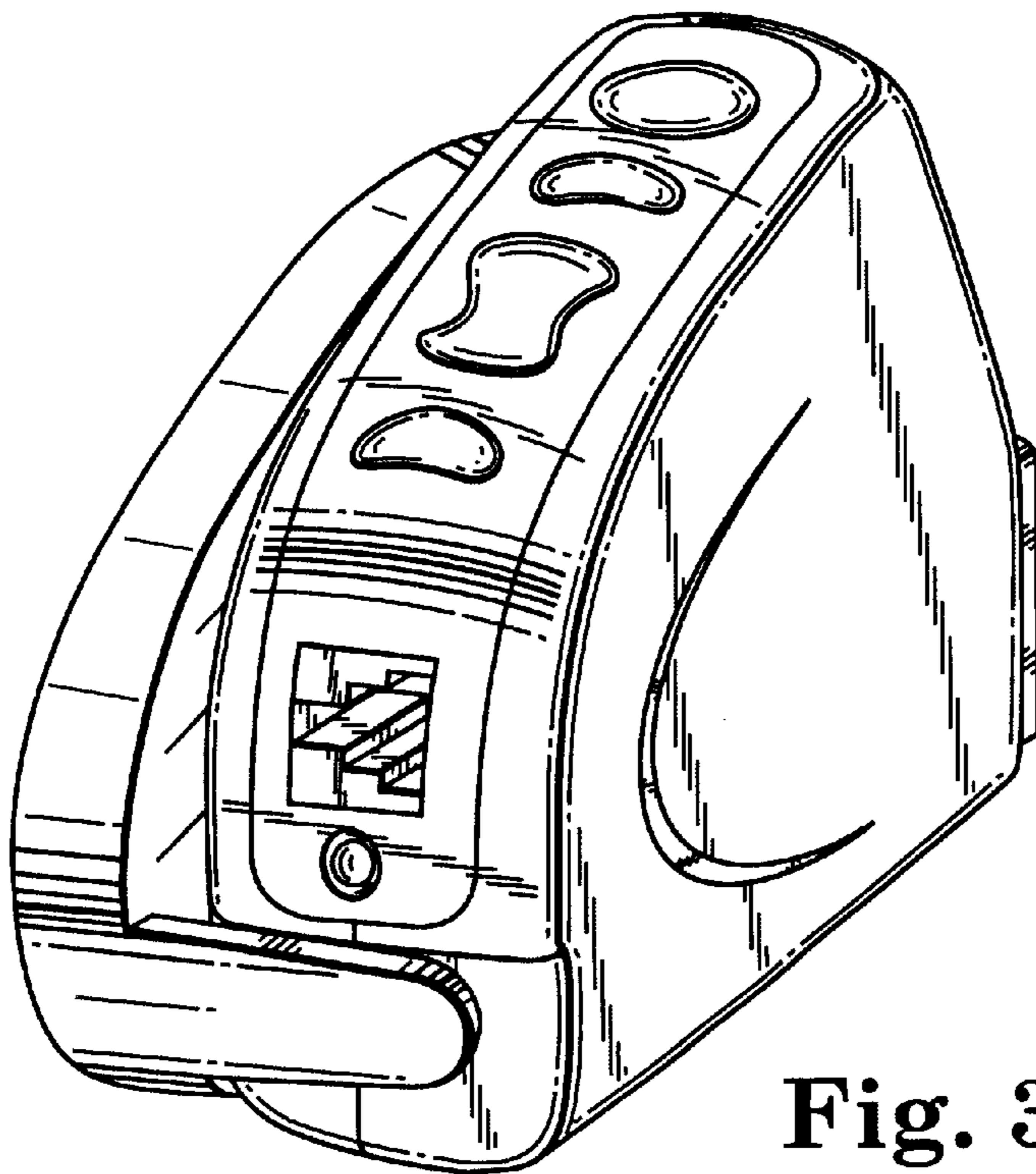


Fig. 3

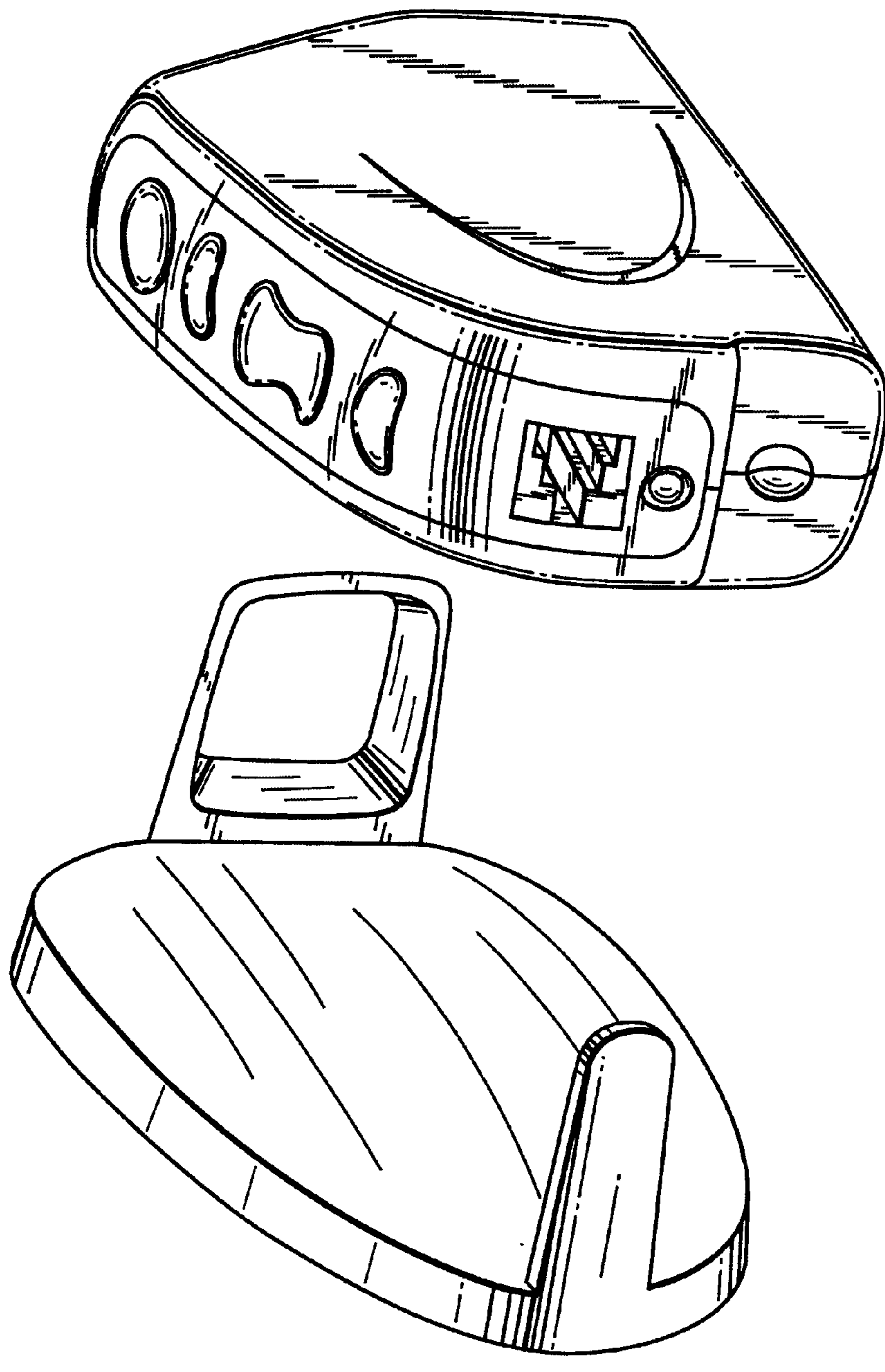


Fig. 4

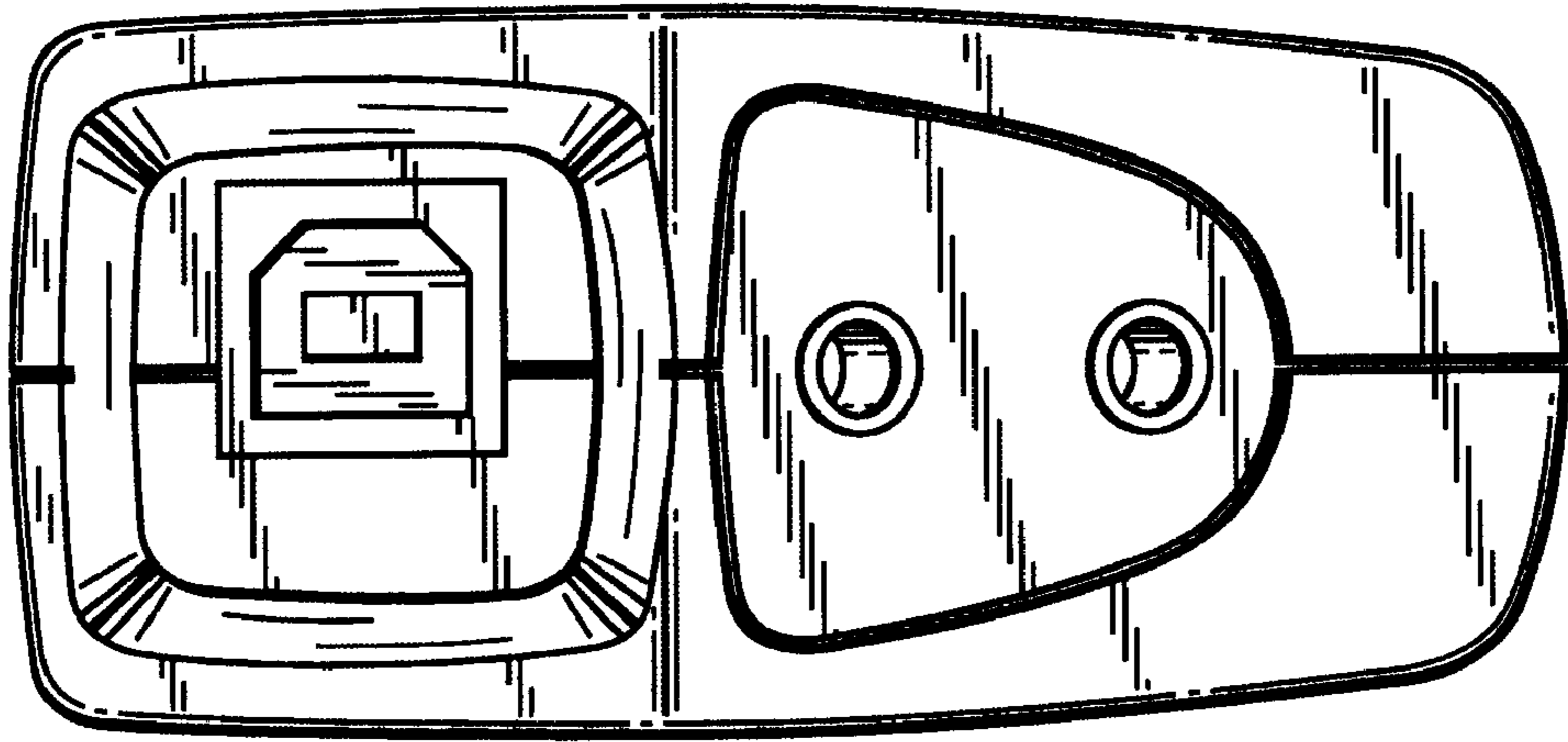


Fig. 7

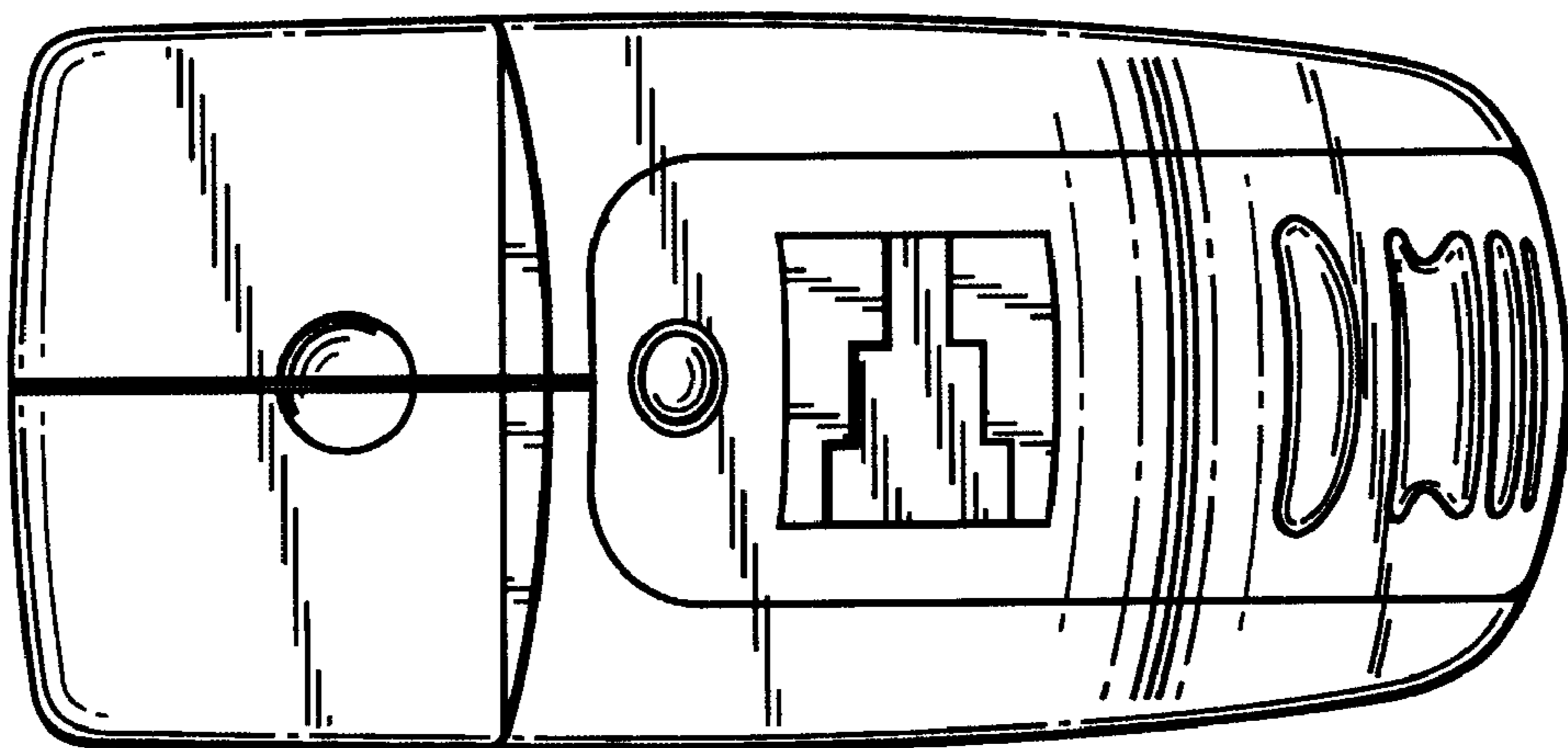


Fig. 5

Fig. 9

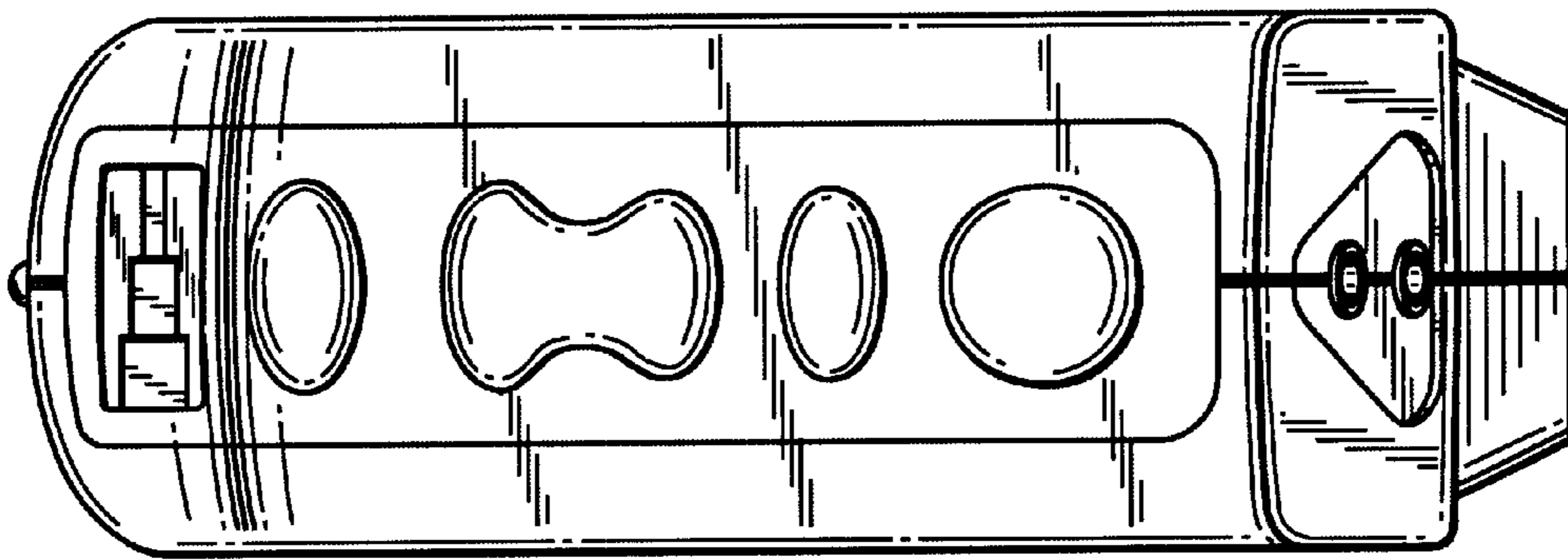
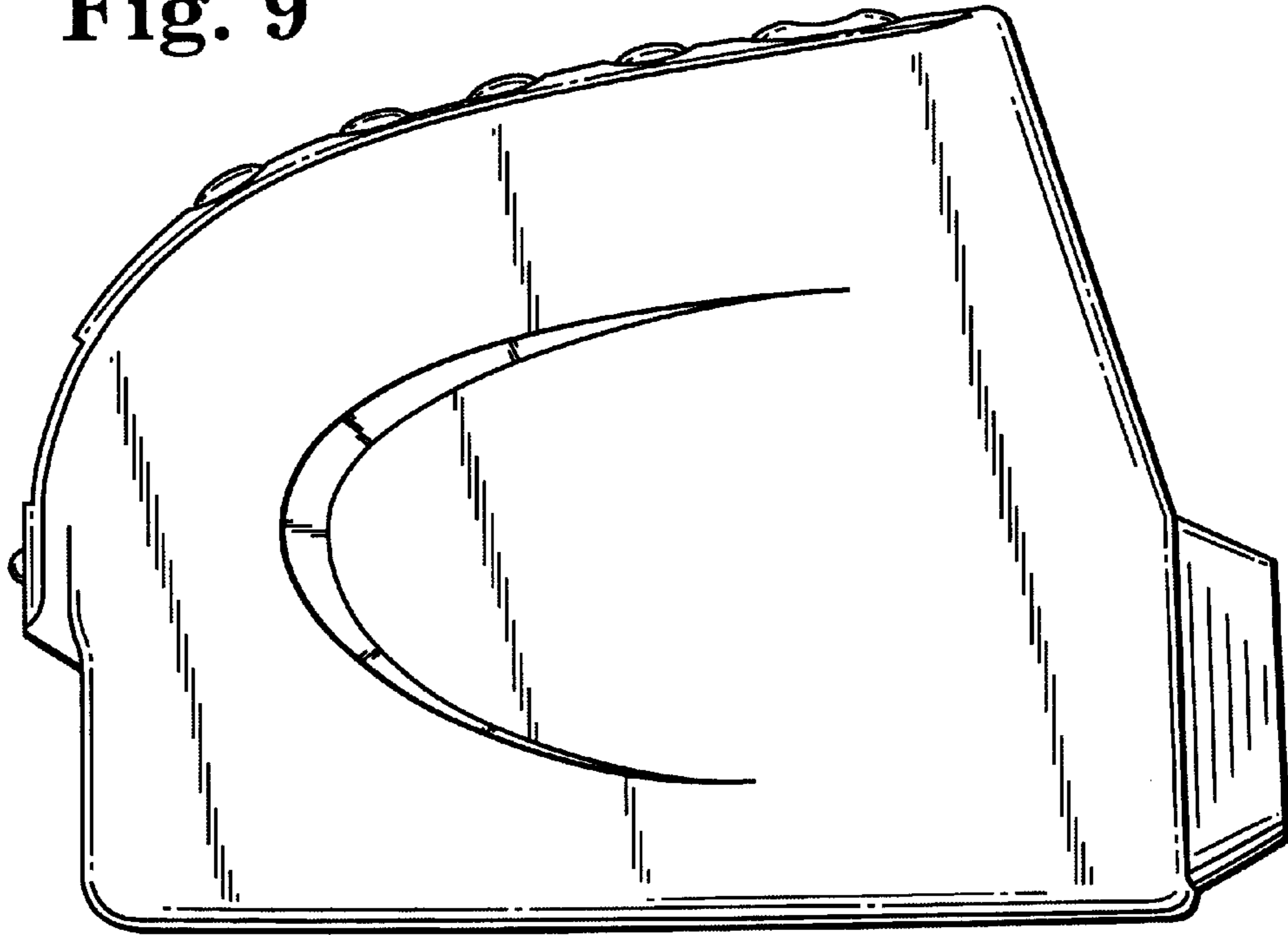


Fig. 8

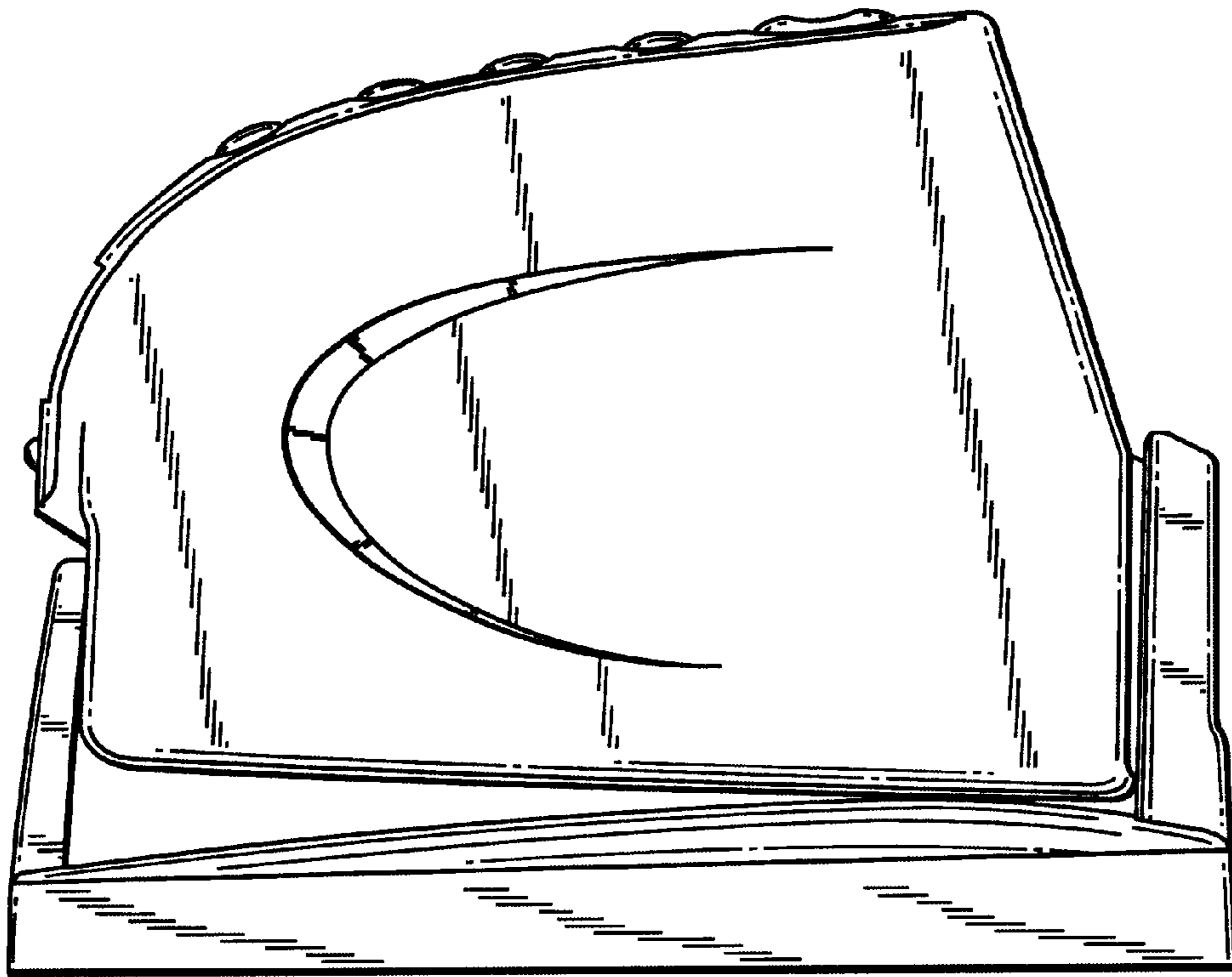


Fig. 10

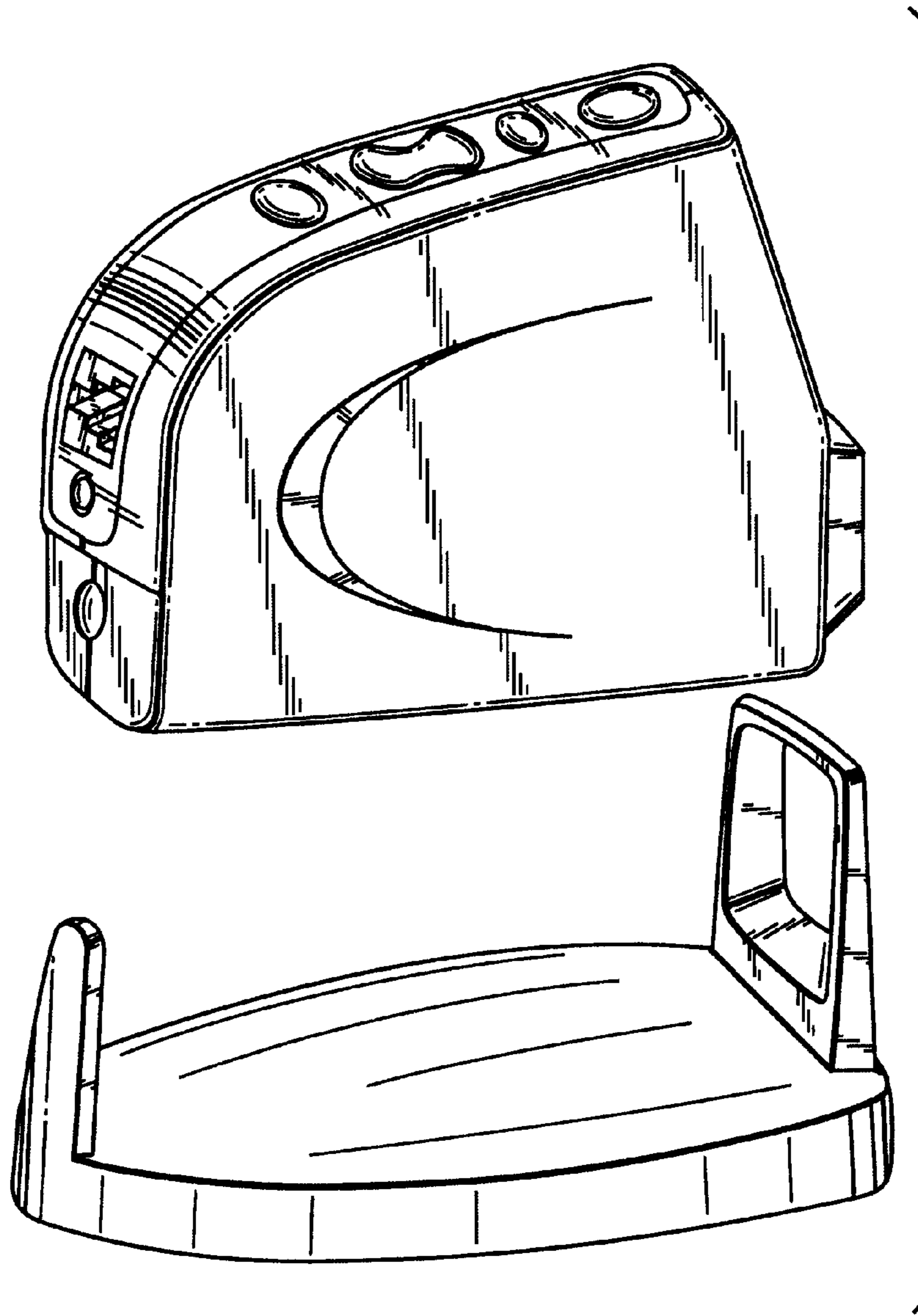


Fig. 11