



US00D478067S

(12) **United States Design Patent**
Kawakami et al.

(10) **Patent No.:** **US D478,067 S**

(45) **Date of Patent:** **** Aug. 5, 2003**

(54) **HEADPHONE**

(75) Inventors: **Hiroko Kawakami**, Tokyo (JP); **Ayako Tanaka**, Tokyo (JP); **Mitsuaki Kanada**, Tokyo (JP); **Kazuhiko Yamaoka**, Tokyo (JP)

(73) Assignee: **NEC Corporation**, Tokyo (JP)

(**) Term: **14 Years**

(21) Appl. No.: **29/167,103**

(22) Filed: **Sep. 10, 2002**

(30) **Foreign Application Priority Data**

Mar. 11, 2002 (JP) 2002-006332

(51) **LOC (7) Cl.** **14-01**

(52) **U.S. Cl.** **D14/223**

(58) **Field of Search** D14/192, 205,
D14/206, 223; 181/129; 381/374, 376,
377, 378, 379, 381; D24/174; 455/351

(56) **References Cited**

U.S. PATENT DOCUMENTS

D284,859 S * 7/1986 Okada D14/192

D326,653 S * 6/1992 Hino D14/192
D443,261 S * 6/2001 Yuyama D14/223
D463,791 S * 10/2002 Nagai et al. D14/223
D464,638 S * 10/2002 Huang D14/205

* cited by examiner

Primary Examiner—Paula A. Mortimer

(74) *Attorney, Agent, or Firm*—Sughrue Mion, PLLC

(57) **CLAIM**

The ornamental design for a headphone, as shown.

DESCRIPTION

FIG. 1 is a perspective view of the front and right side of a headphone showing our new design;

FIG. 2 is a front elevational view thereof;

FIG. 3 is a rear elevational view thereof;

FIG. 4 is a left side elevational view thereof;

FIG. 5 is a right side elevational view thereof;

FIG. 6 is a top plan view thereof; and,

FIG. 7 is a bottom plan view thereof.

1 Claim, 4 Drawing Sheets

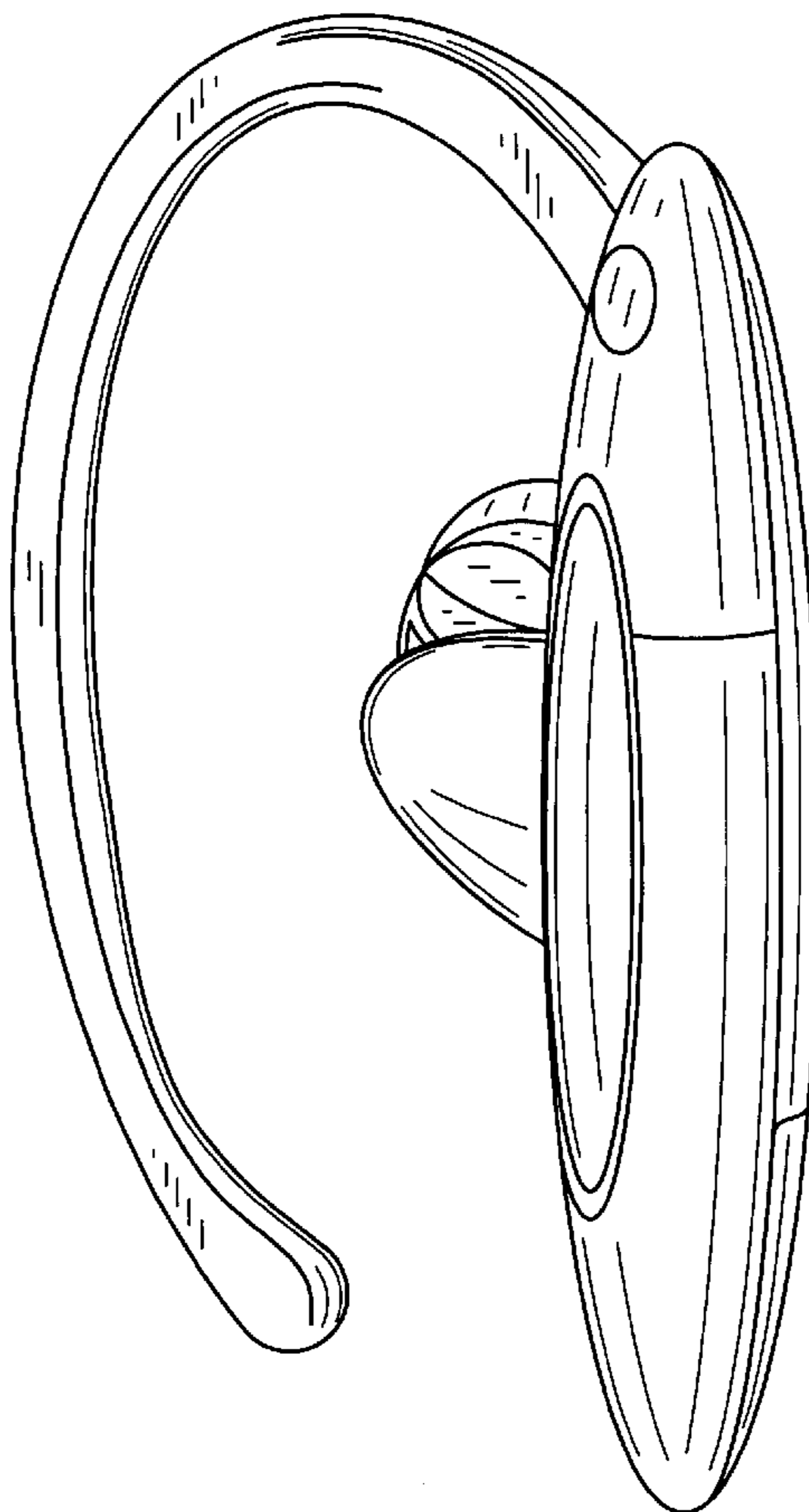


FIG. 1

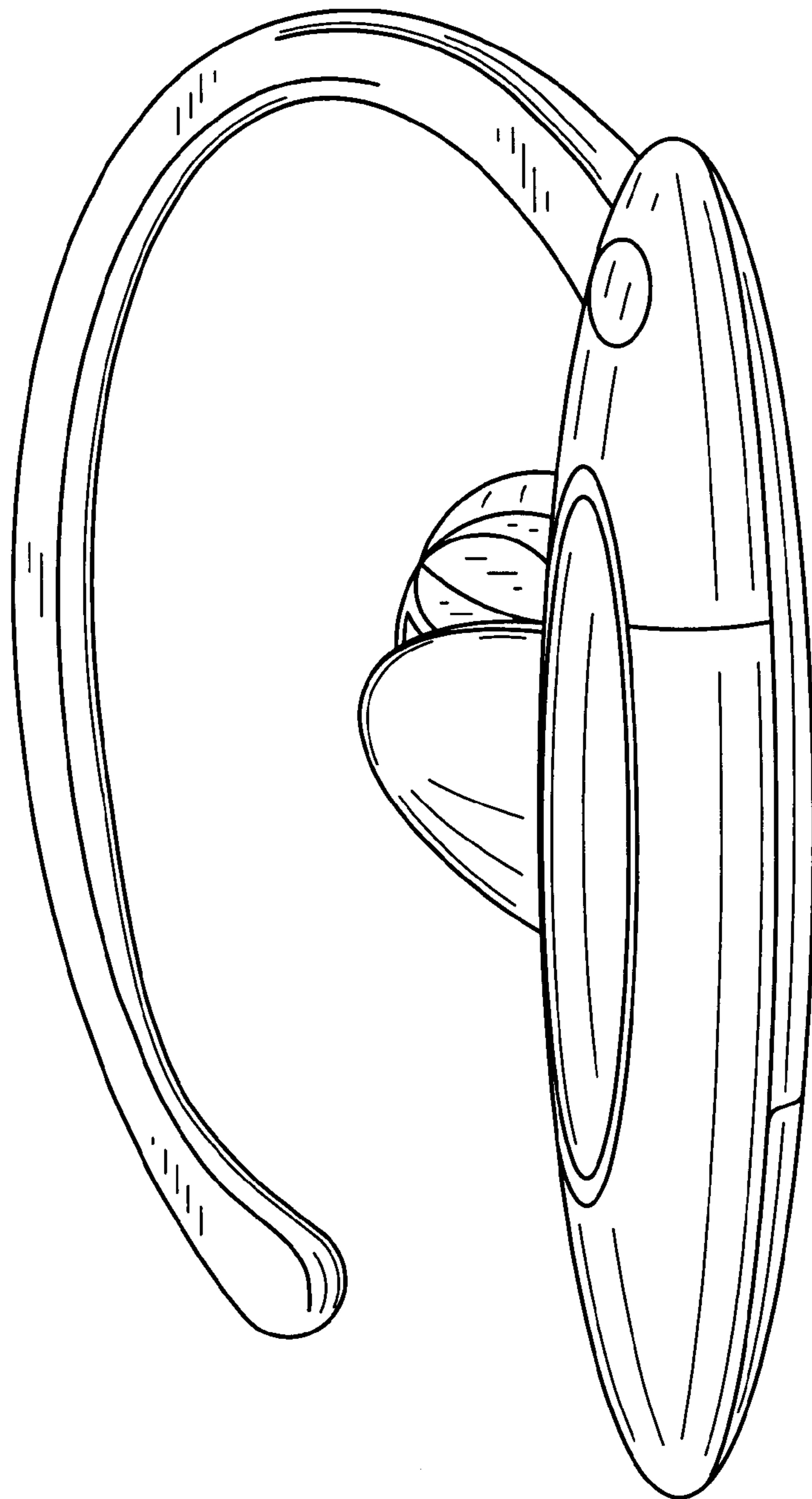


FIG. 2

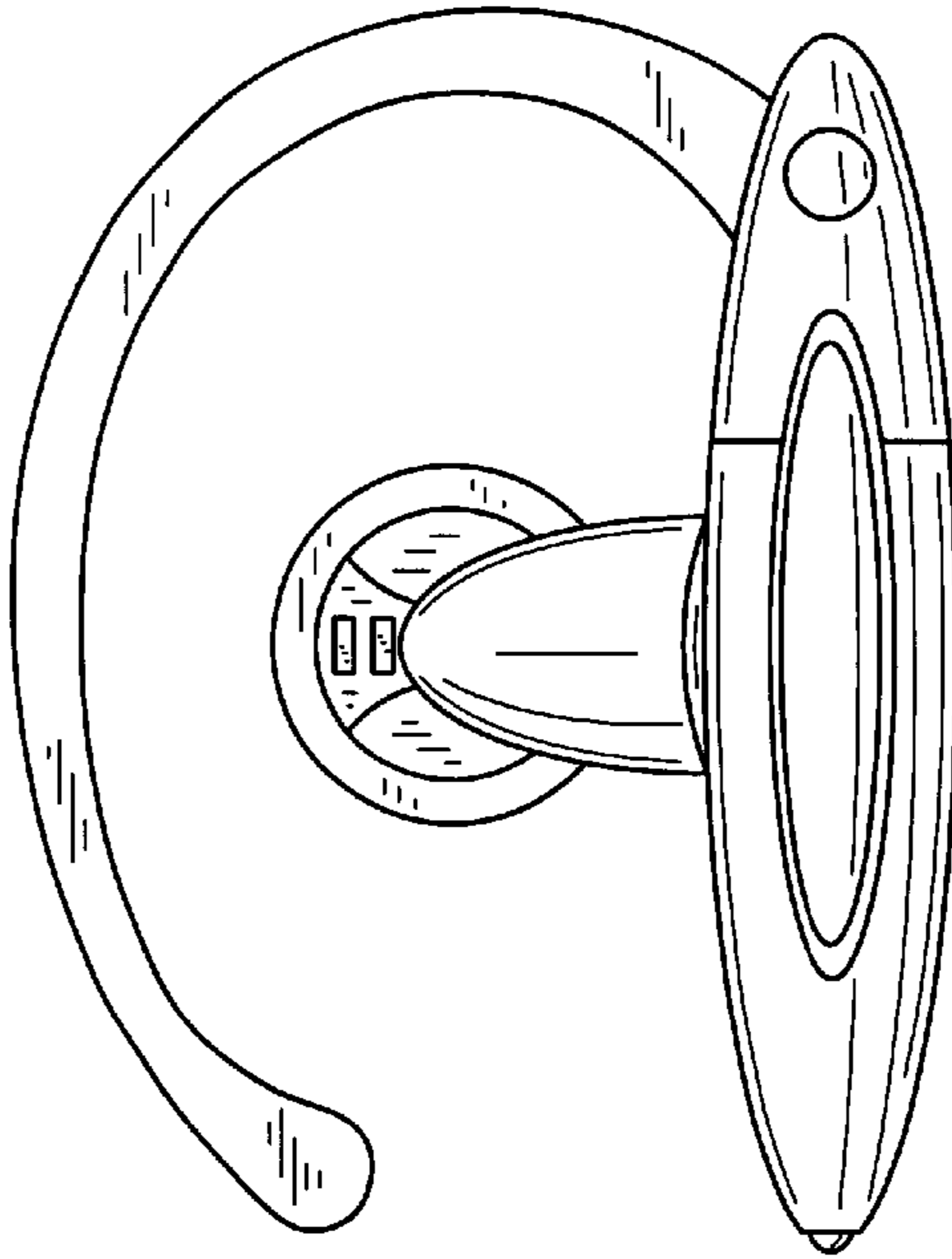


FIG. 3

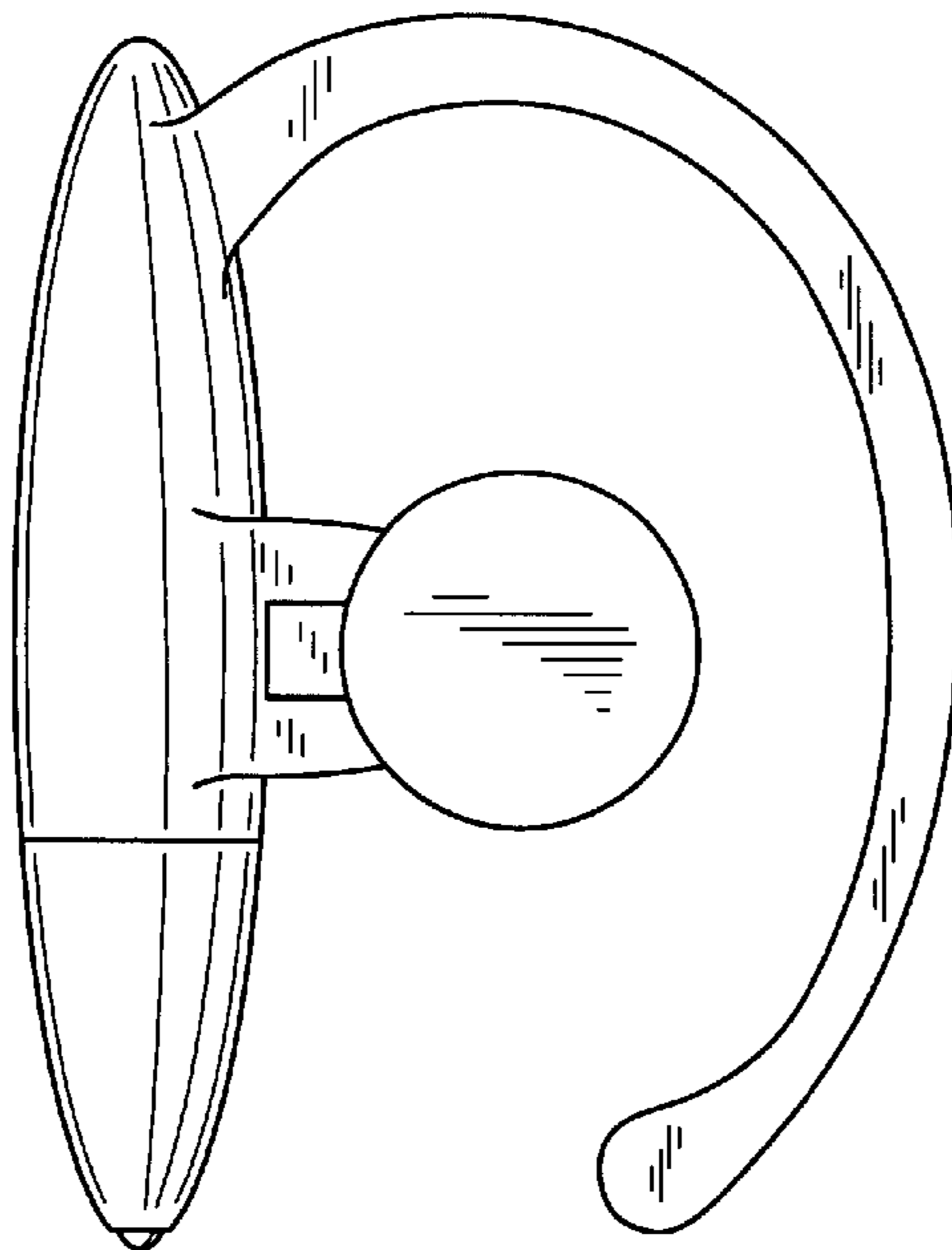


FIG. 4

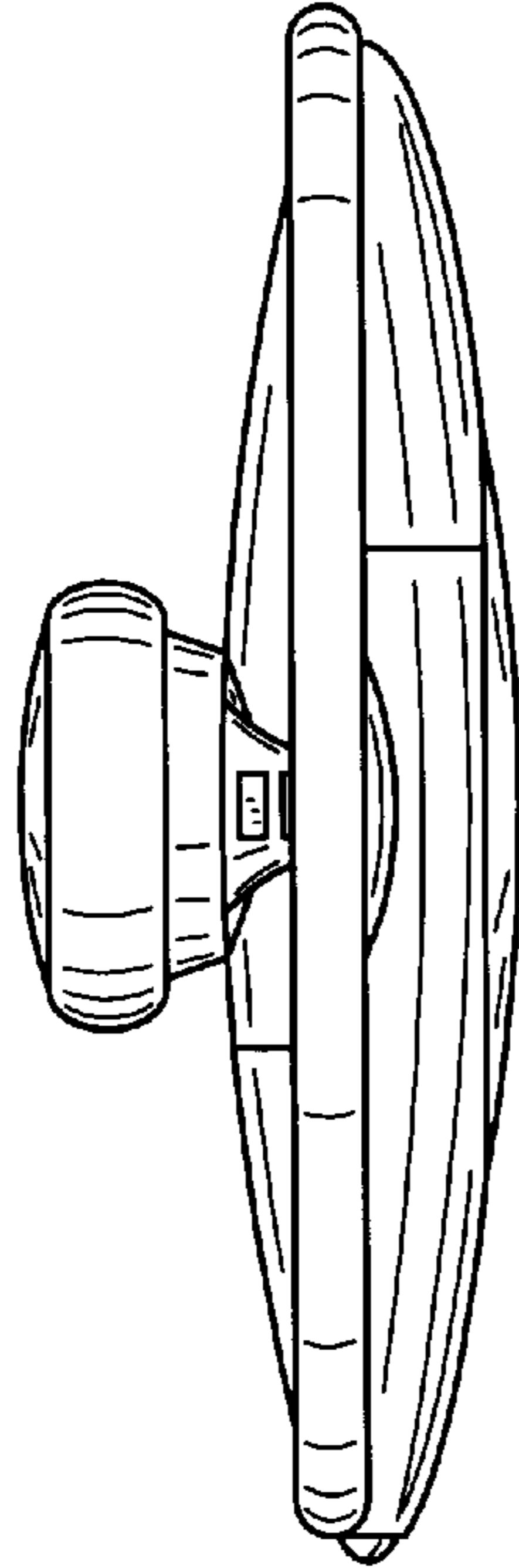


FIG. 5

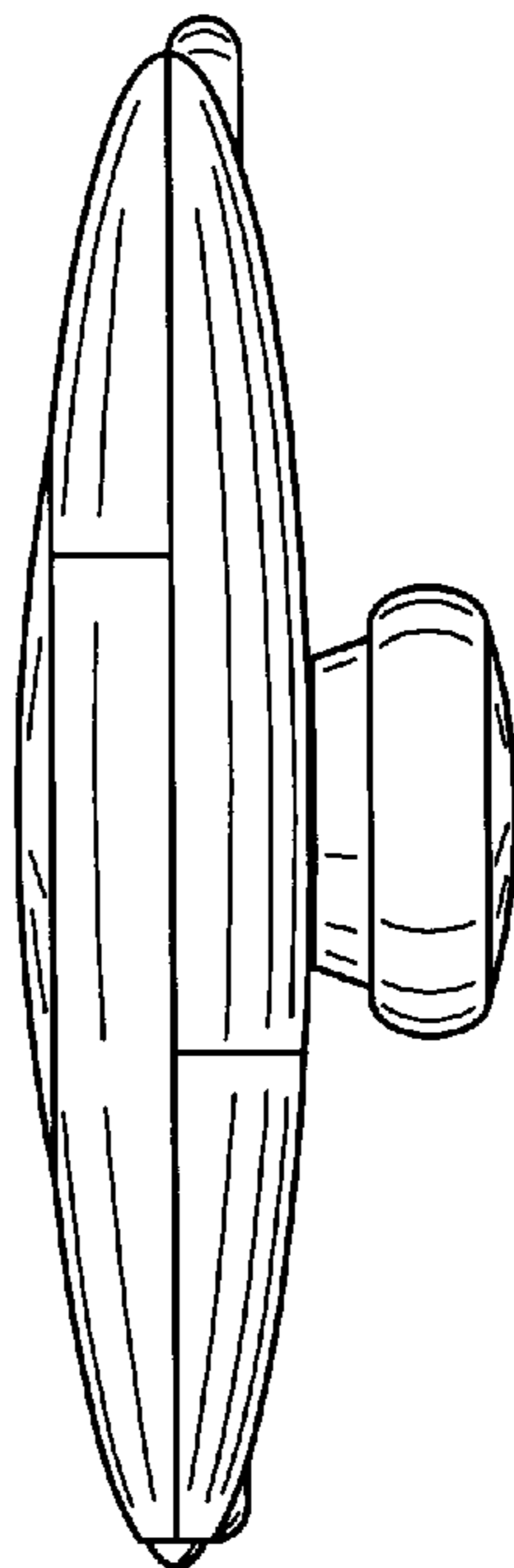


FIG. 6

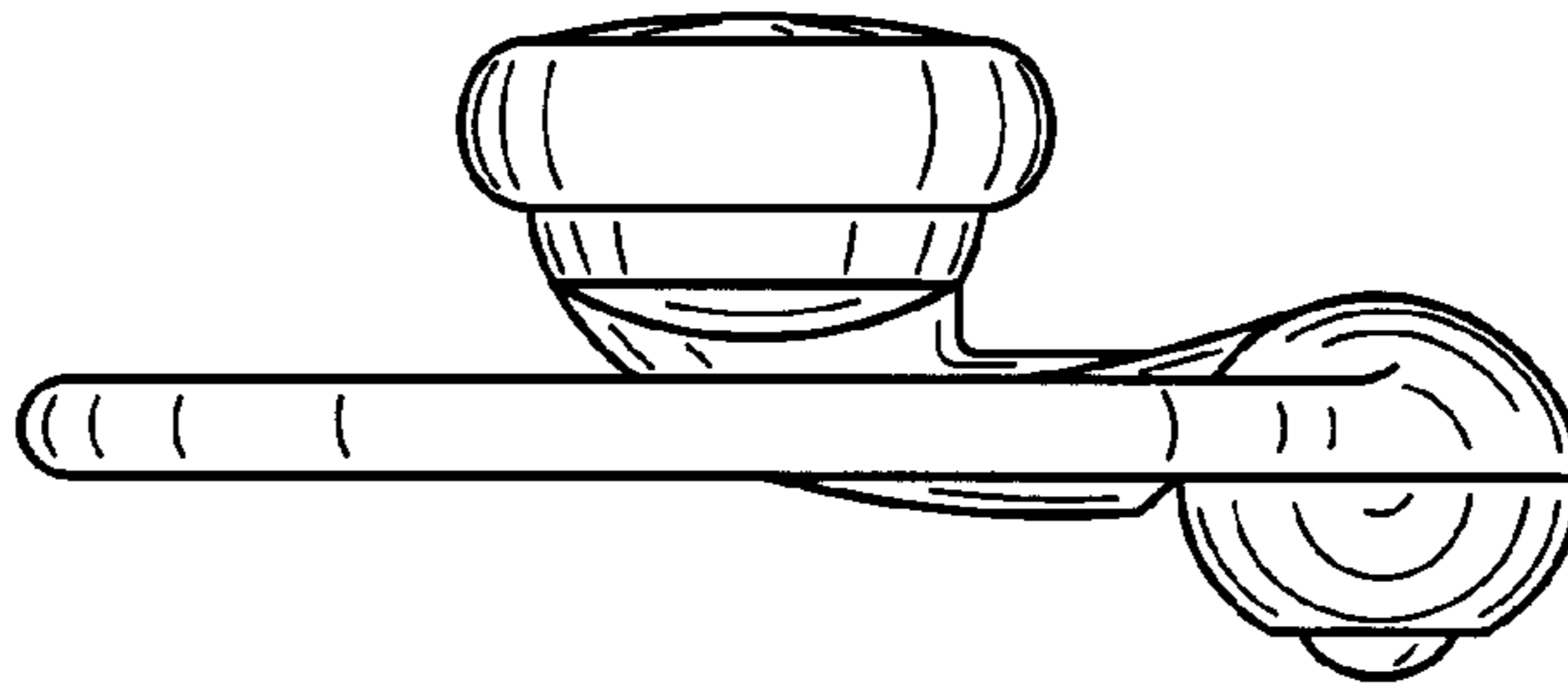


FIG. 7

