



US00D478059S

(12) **United States Design Patent**
Oikawa

(10) **Patent No.:** **US D478,059 S**

(45) **Date of Patent:** **** Aug. 5, 2003**

(54) **COMBINED DISC PLAYER, SPEAKER BOX,
RADIO RECEIVER AND TAPE RECORDER**

(75) Inventor: **Yuji Oikawa**, Tokyo (JP)

(73) Assignee: **Sony Corporation**, Tokyo (JP)

(**) Term: **14 Years**

(21) Appl. No.: **29/164,700**

(22) Filed: **Jul. 31, 2002**

(51) **LOC (7) Cl.** **14-01**

(52) **U.S. Cl.** **D14/168; D14/172**

(58) **Field of Search** D14/135-136,
D14/156, 160-164, 167-168, 172, 188,
193-198, 204, 210-215; 369/6-7, 75.1,
75.2, 77.1, 77.2; 181/144-145, 147-148,
150, 168, 171-174, 157; 381/300-302,
386, 396, 398, 423, 426

(56) **References Cited**

U.S. PATENT DOCUMENTS

4,932,060	A	*	6/1990	Schreiber	381/351
D392,973	S	*	3/1998	Fenner et al.	D14/214
D400,537	S	*	11/1998	Boyd	D14/214
D413,887	S	*	9/1999	Renk	D14/156
D431,815	S		10/2000	Masui		
D435,539	S		12/2000	Tsuge		
D452,855	S		1/2002	Ota		

OTHER PUBLICATIONS

Web page "BicBic, Bic P Kan, http://www.bicbic.com/wcsjapps/ProductDisplayjsp?merchant_13_rn=1001&product=4961330011776 & 4968929008599, 496892002078, 4907034302260, 4960693153864 & 4977729565669," 6 sheets, Big Group (May 2002).

* cited by examiner

Primary Examiner—Nanda Bondade

(74) *Attorney, Agent, or Firm*—Rader, Fishman & Grauer PLLC

(57) **CLAIM**

The ornamental design for combined disc player, speaker box, radio receiver and tape recorder, as shown.

DESCRIPTION

FIG. 1 is a top, front, right perspective view of a combined disc player, speaker box, radio receiver and tape recorder showing my new design;

FIG. 2 is a front elevational view thereof;

FIG. 3 is a rear elevational view thereof;

FIG. 4 is a left side elevational view thereof;

FIG. 5 is a right side elevational view thereof;

FIG. 6 is a top plan view thereof; and,

FIG. 7 is a bottom plan view thereof.

1 Claim, 4 Drawing Sheets

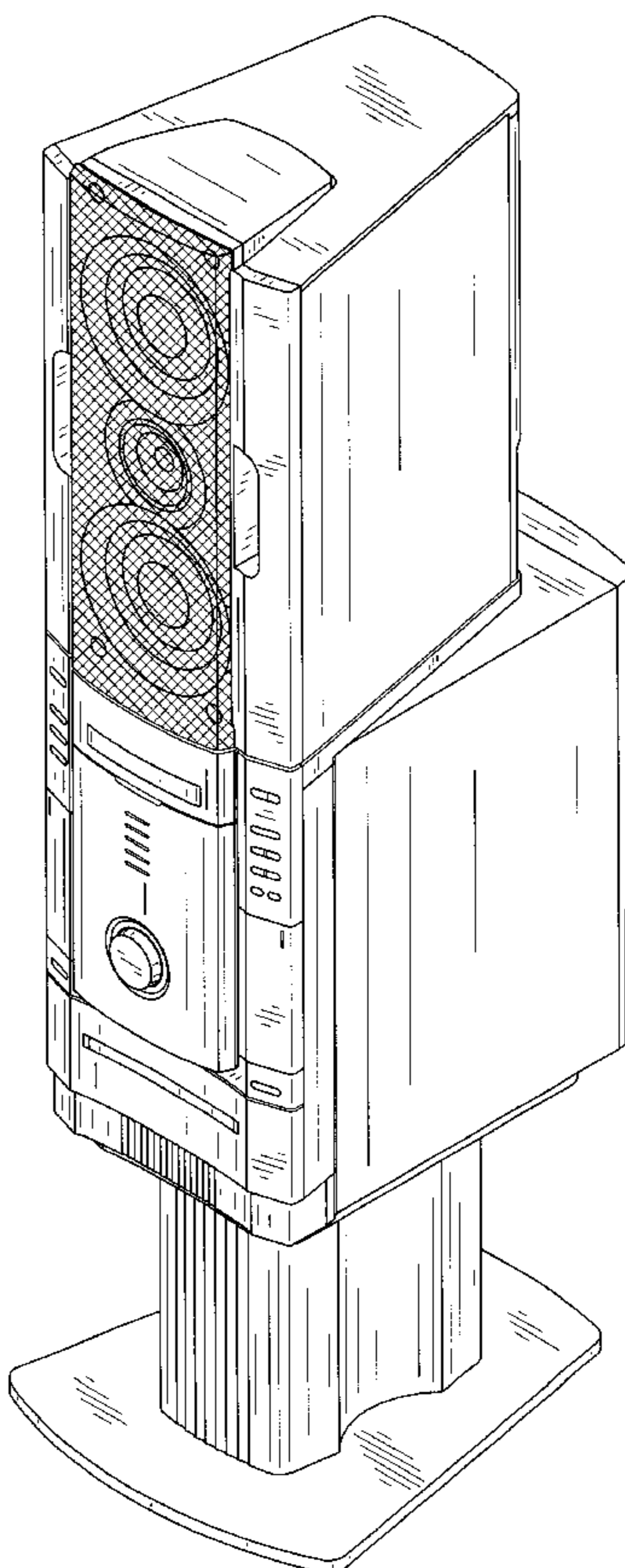


FIG. 1

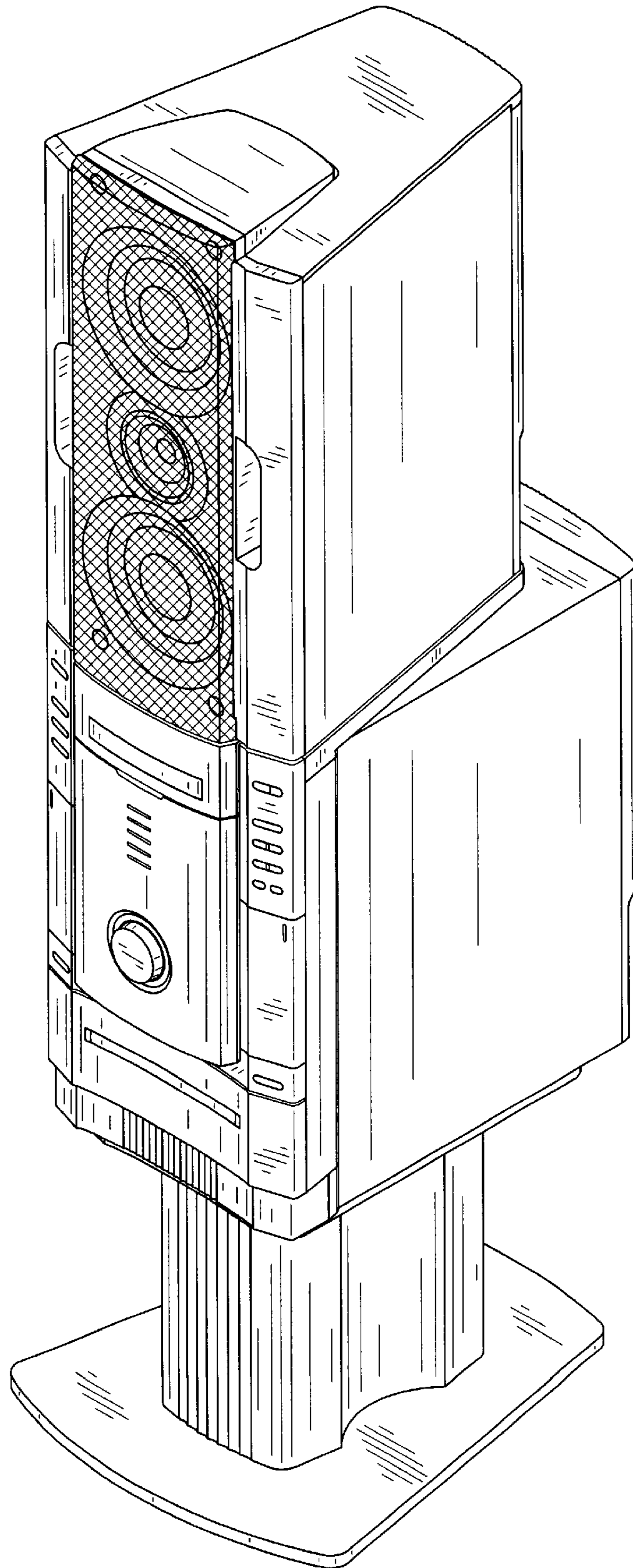


FIG. 2

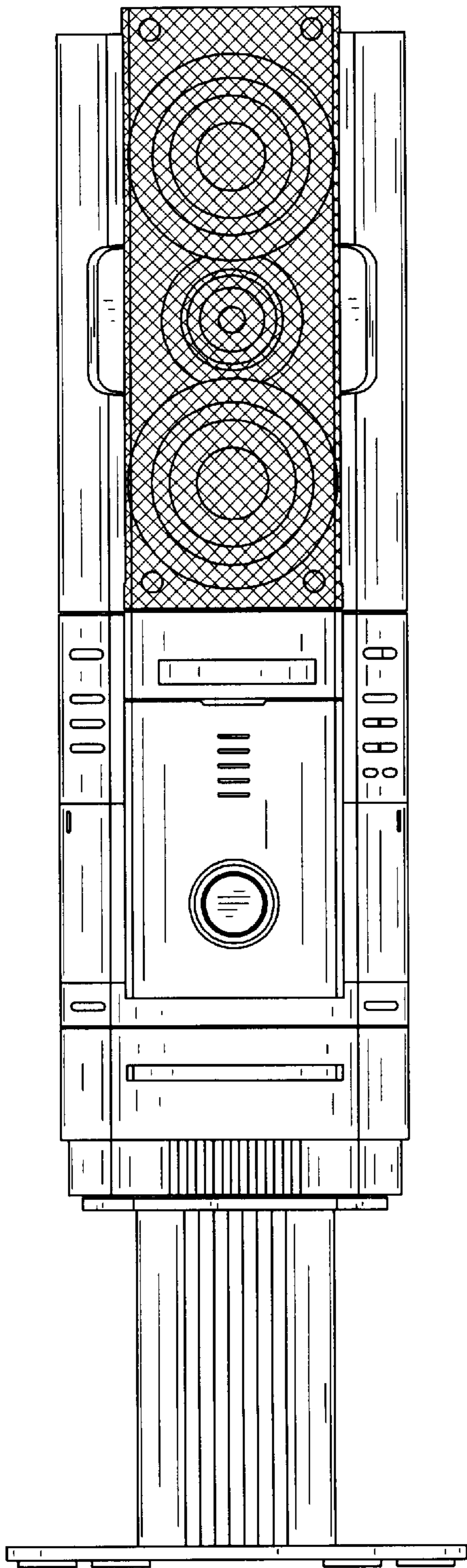


FIG. 3

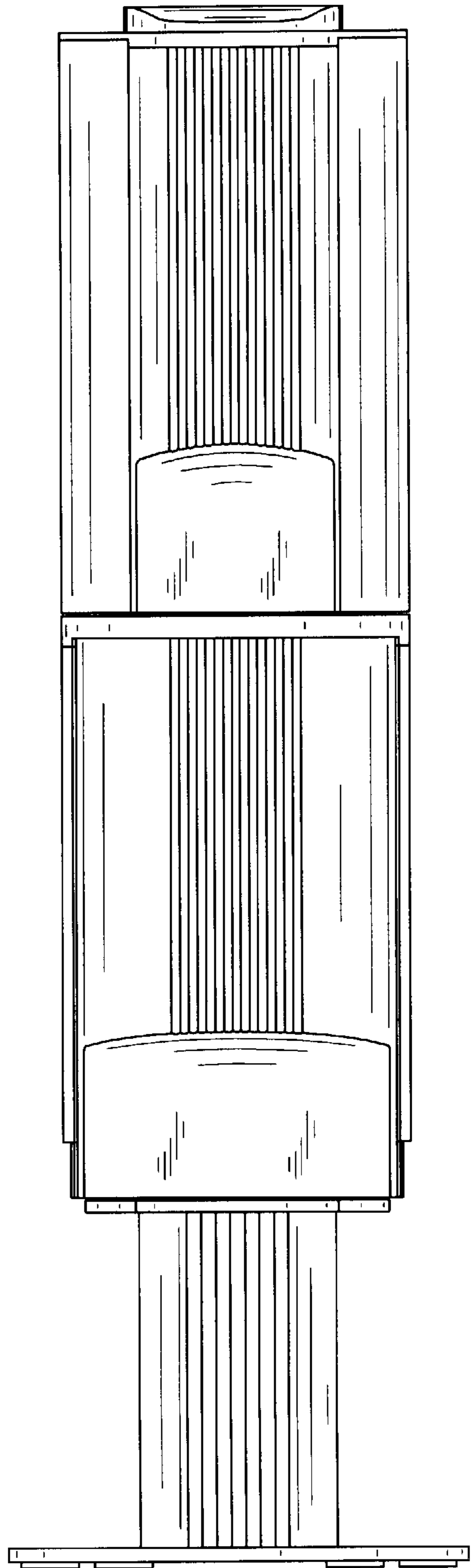


FIG. 4

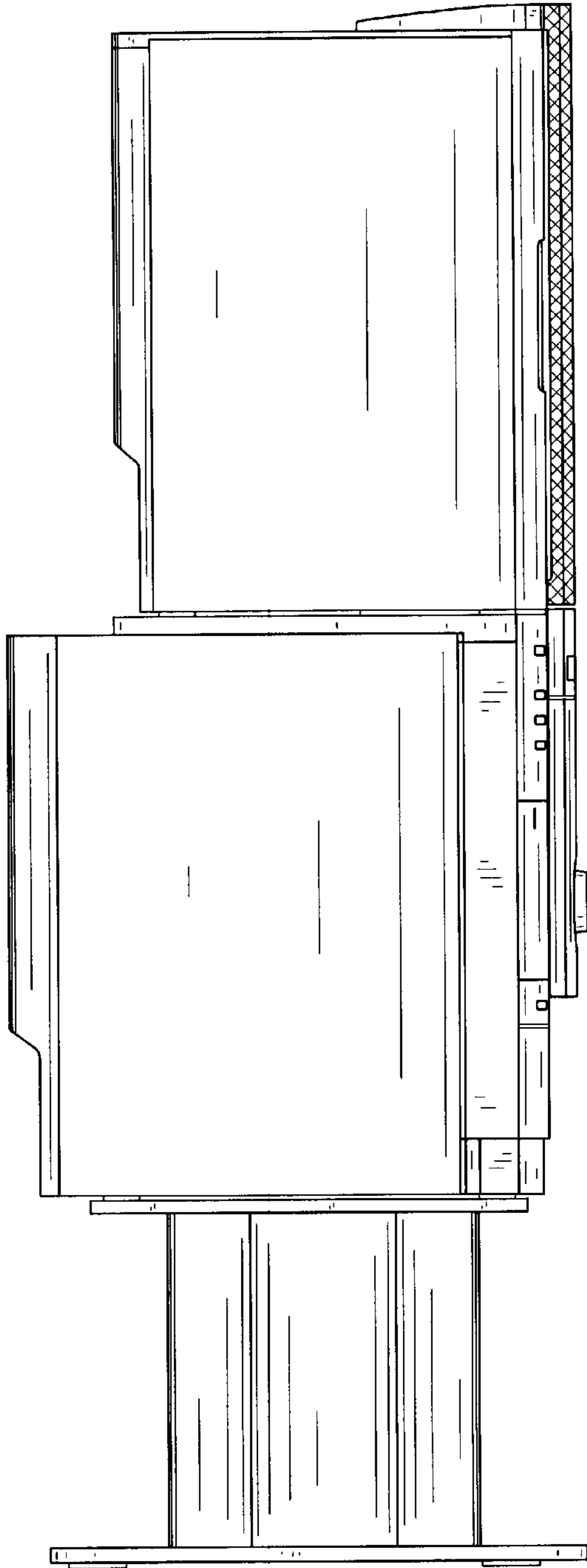


FIG. 5

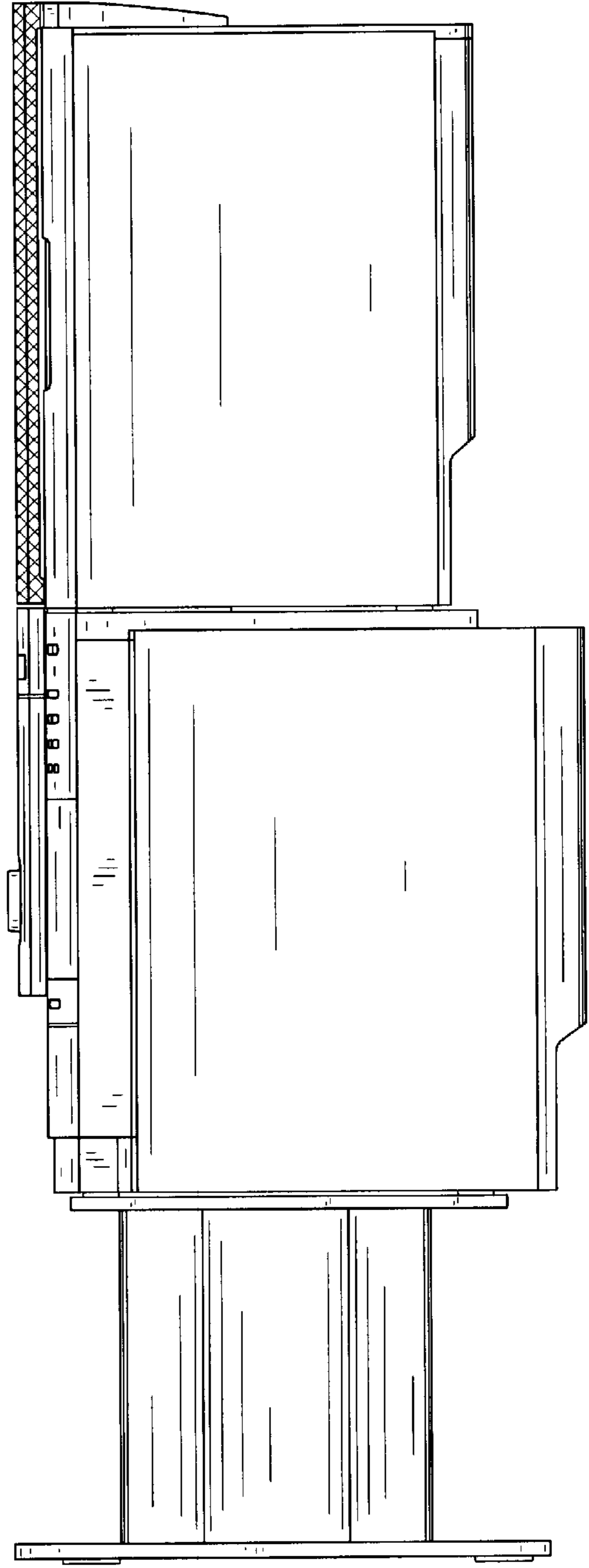


FIG. 6

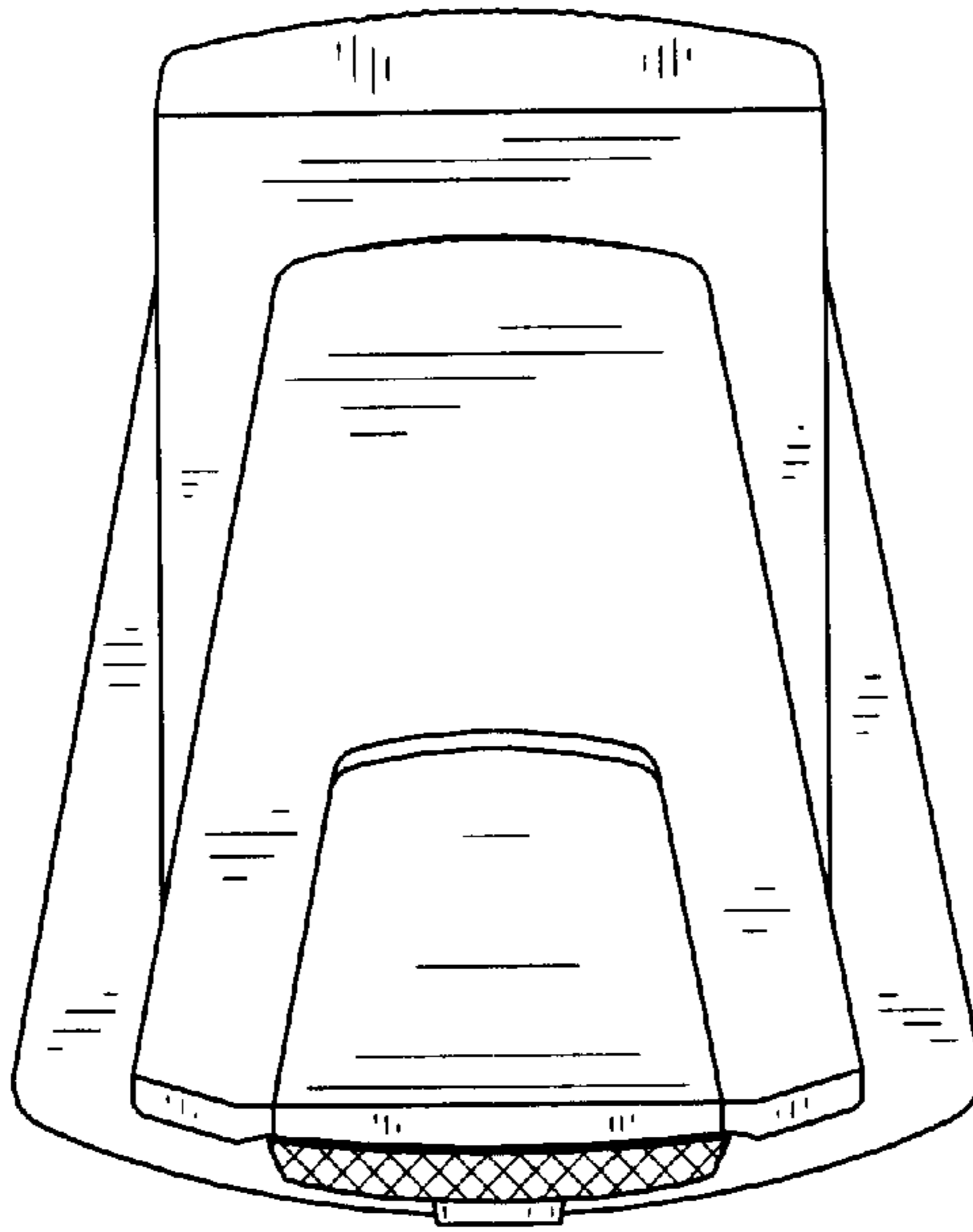


FIG. 7

