



US00D478057S

(12) **United States Design Patent**  
Cohen et al.

(10) **Patent No.:** **US D478,057 S**

(45) **Date of Patent:** **\*\* Aug. 5, 2003**

(54) **PORTABLE, WIRELESS TRANSMITTER**

(75) Inventors: **Arthur Cohen**, Cupertino, CA (US);  
**Todd Rider**, Seattle, WA (US); **Chris J. Stanley**, BainBridge Island, WA (US)

(73) Assignee: **Competitive Technologies, Inc.**,  
Fairfield, CT (US)

(\*\*) Term: **14 Years**

(21) Appl. No.: **29/154,899**

(22) Filed: **Jan. 30, 2002**

(51) **LOC (7) Cl.** ..... **14-03**

(52) **U.S. Cl.** ..... **D14/155**

(58) **Field of Search** ..... D10/104, 106,  
D10/116, 121; D14/137-138, 154-155,  
158-159, 192, 194-195; 340/539, 540,  
570-573; 455/73, 89-90, 128

(56) **References Cited**

**U.S. PATENT DOCUMENTS**

D376,800 S	*	12/1996	Shudo	.....	D14/197
D403,679 S	*	1/1999	Tsui	.....	D14/192
D430,546 S	*	9/2000	Gibson	.....	D14/137
D442,938 S	*	5/2001	Hough et al.	.....	D14/188

\* cited by examiner

*Primary Examiner*—Nanda Bondade

(74) *Attorney, Agent, or Firm*—Paul A. Levitsky

(57) **CLAIM**

The ornamental design for a portable, wireless transmitter, as shown and described.

**DESCRIPTION**

FIG. 1 is a top, front and left side perspective view of a portable, wireless transmitter showing our new design.

FIG. 2 is an enlarged front view thereof;

FIG. 3 is a rear view thereof.

FIG. 4 is a left side view thereof.

FIG. 5 is a right side view thereof.

FIG. 6 is a top plan view thereof.

FIG. 7 is a bottom plan view thereof.

FIG. 8 is a top, front and left side perspective view of an alternate embodiment of FIG. 1.

FIG. 9 is an enlarged front view of FIG. 8.

FIG. 10 is a rear view of FIG. 8.

FIG. 11 is a left side view of FIG. 8.

FIG. 12 is a right side view of FIG. 8; and,

FIG. 13 is a bottom view of FIG. 8.

The top view of FIG. 8 is identical to that shown in FIG. 6. The broken line shown in FIGS. 1, 3-8 and 10-13 is for illustrative purposes only and forms no part of the claimed design.

**1 Claim, 7 Drawing Sheets**

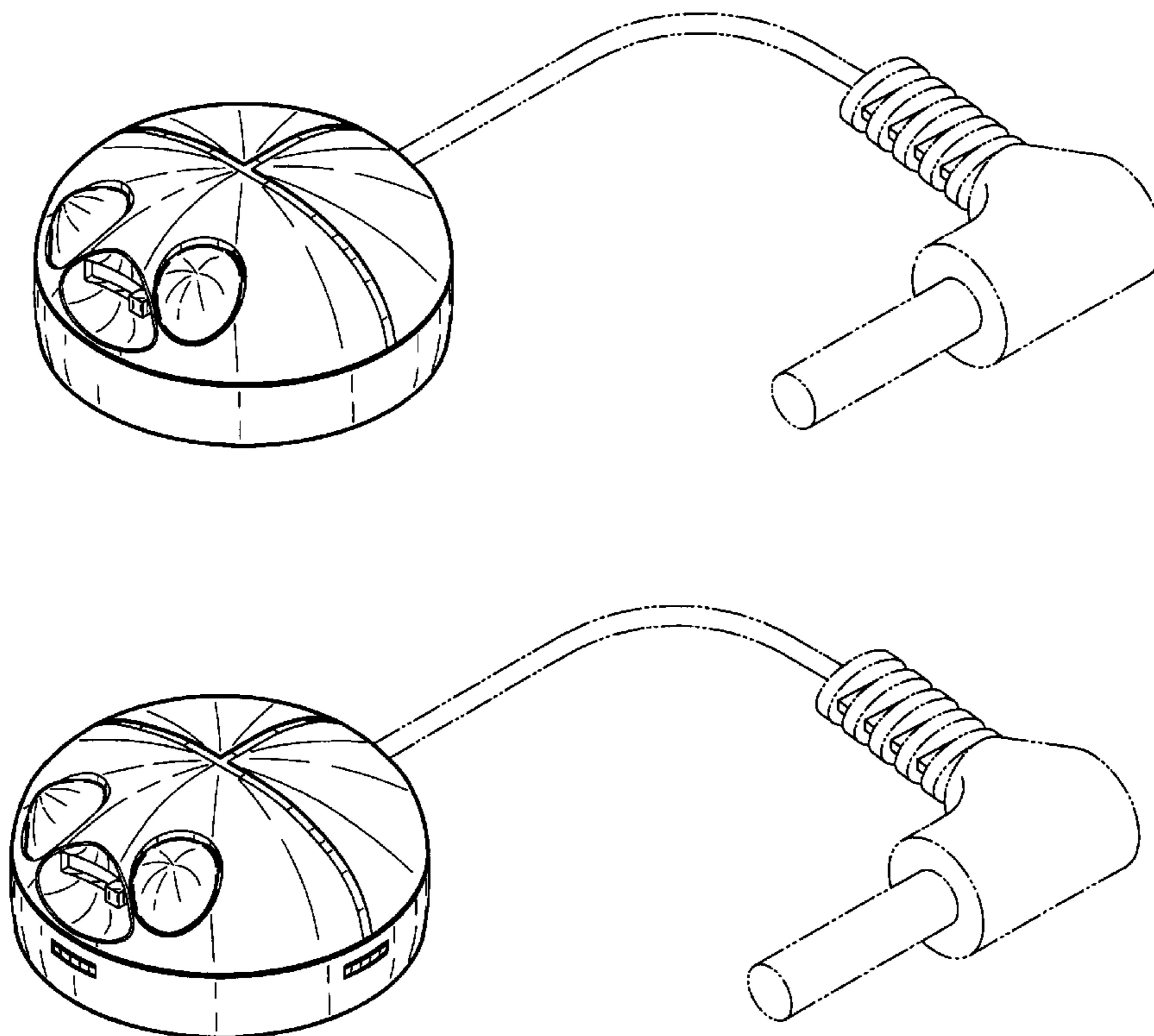


FIG. 1

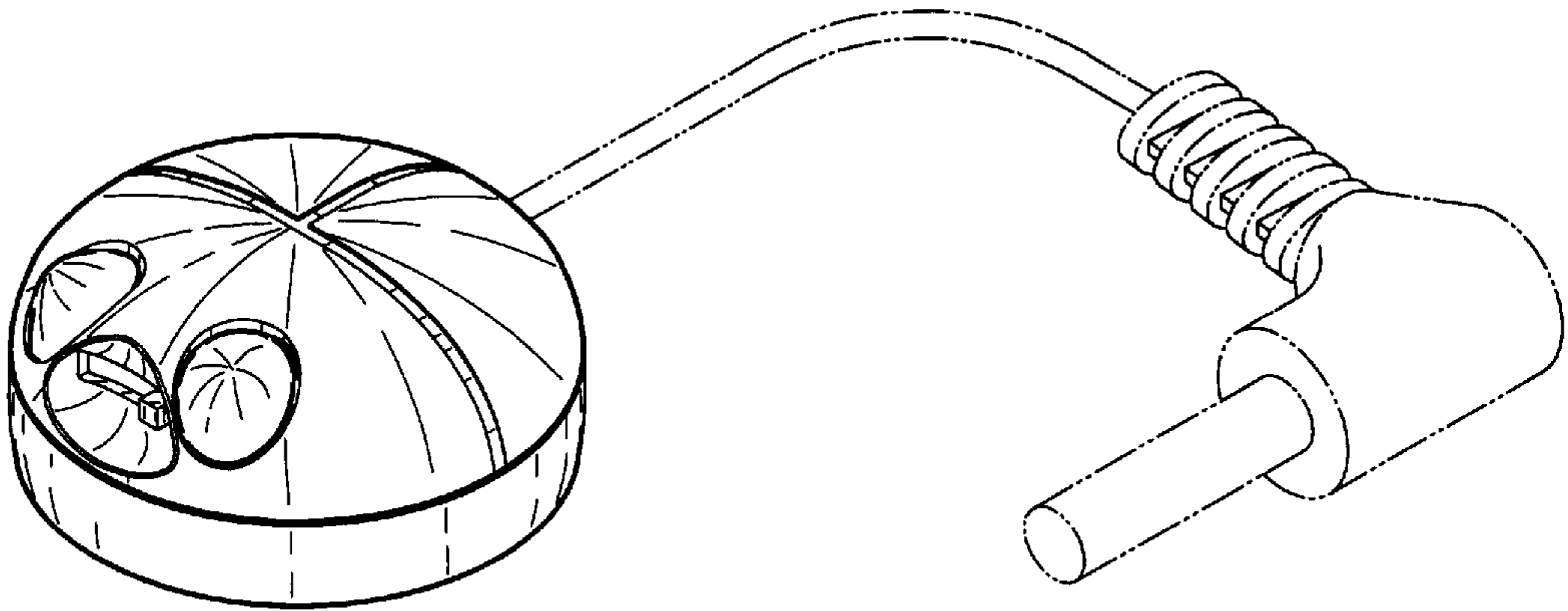
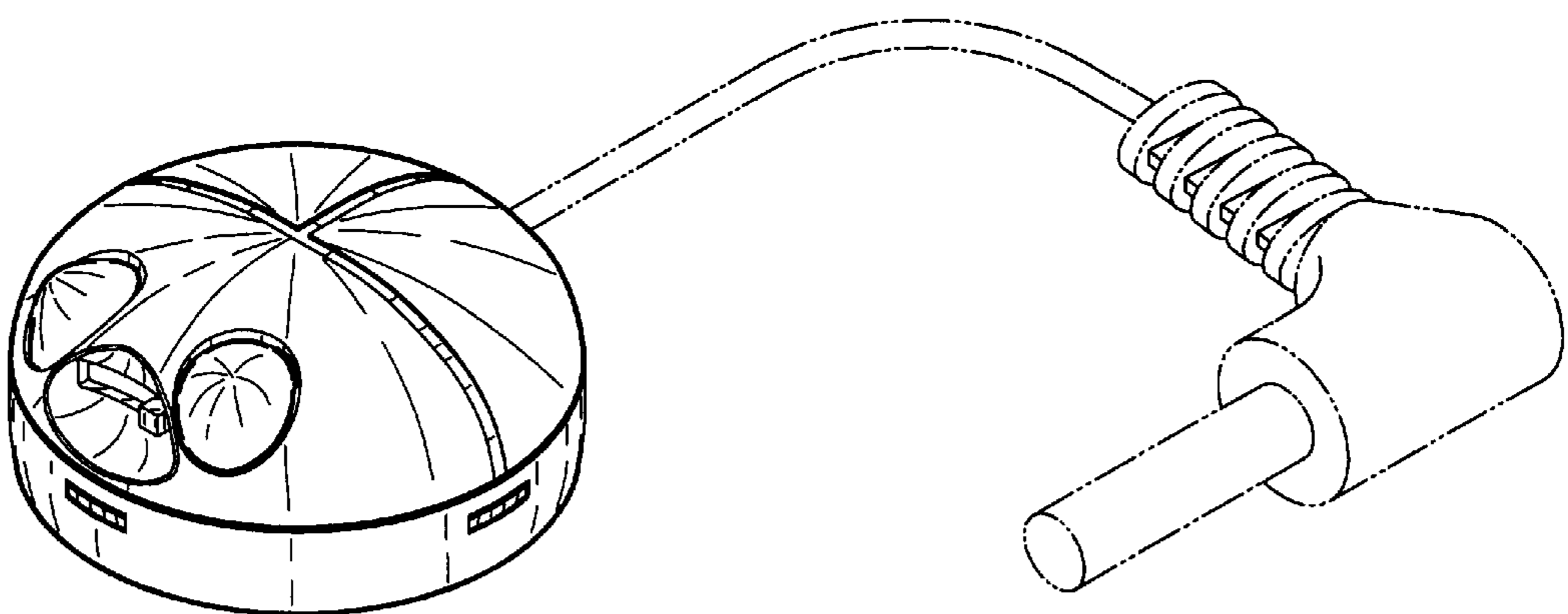
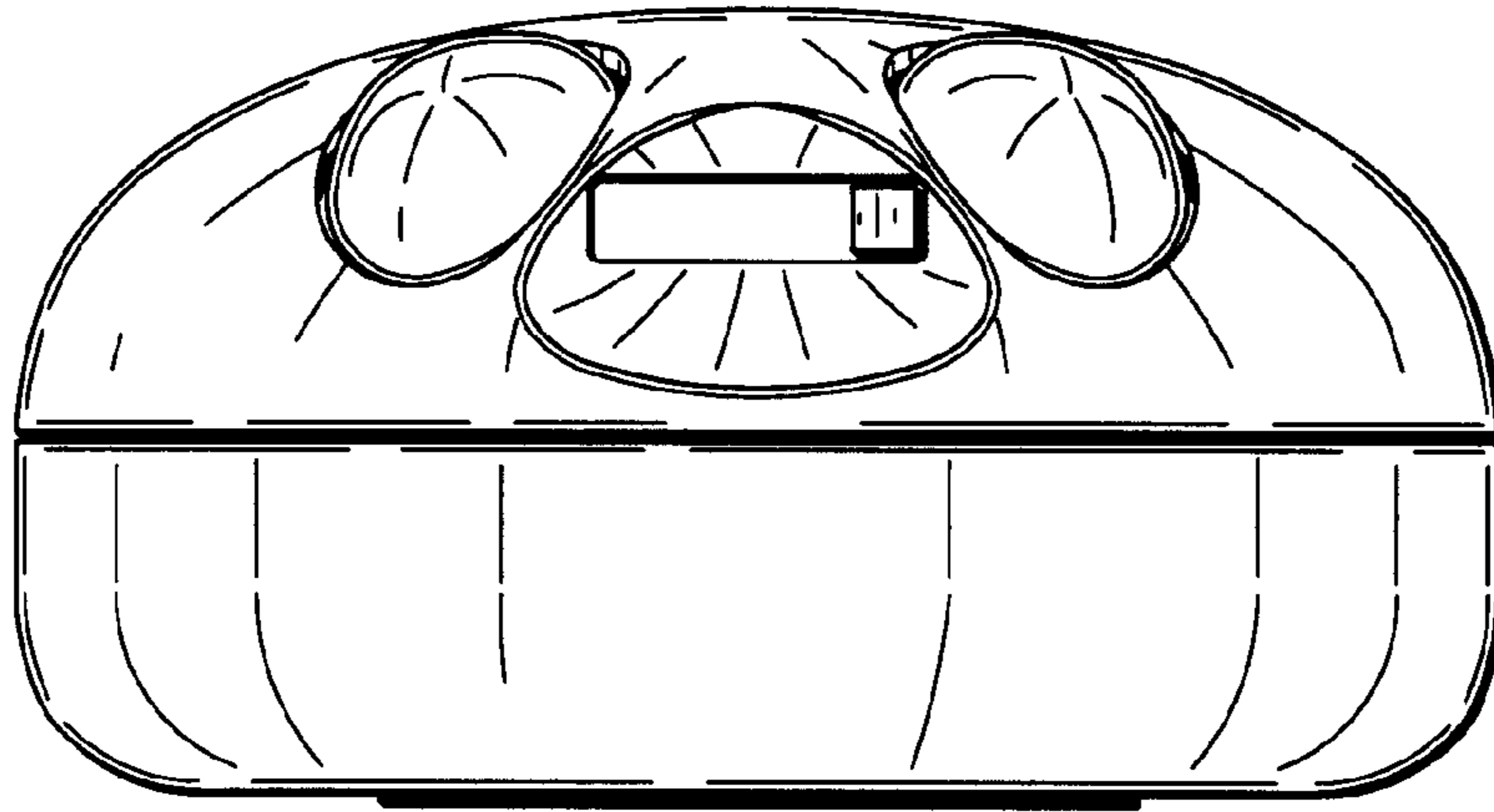


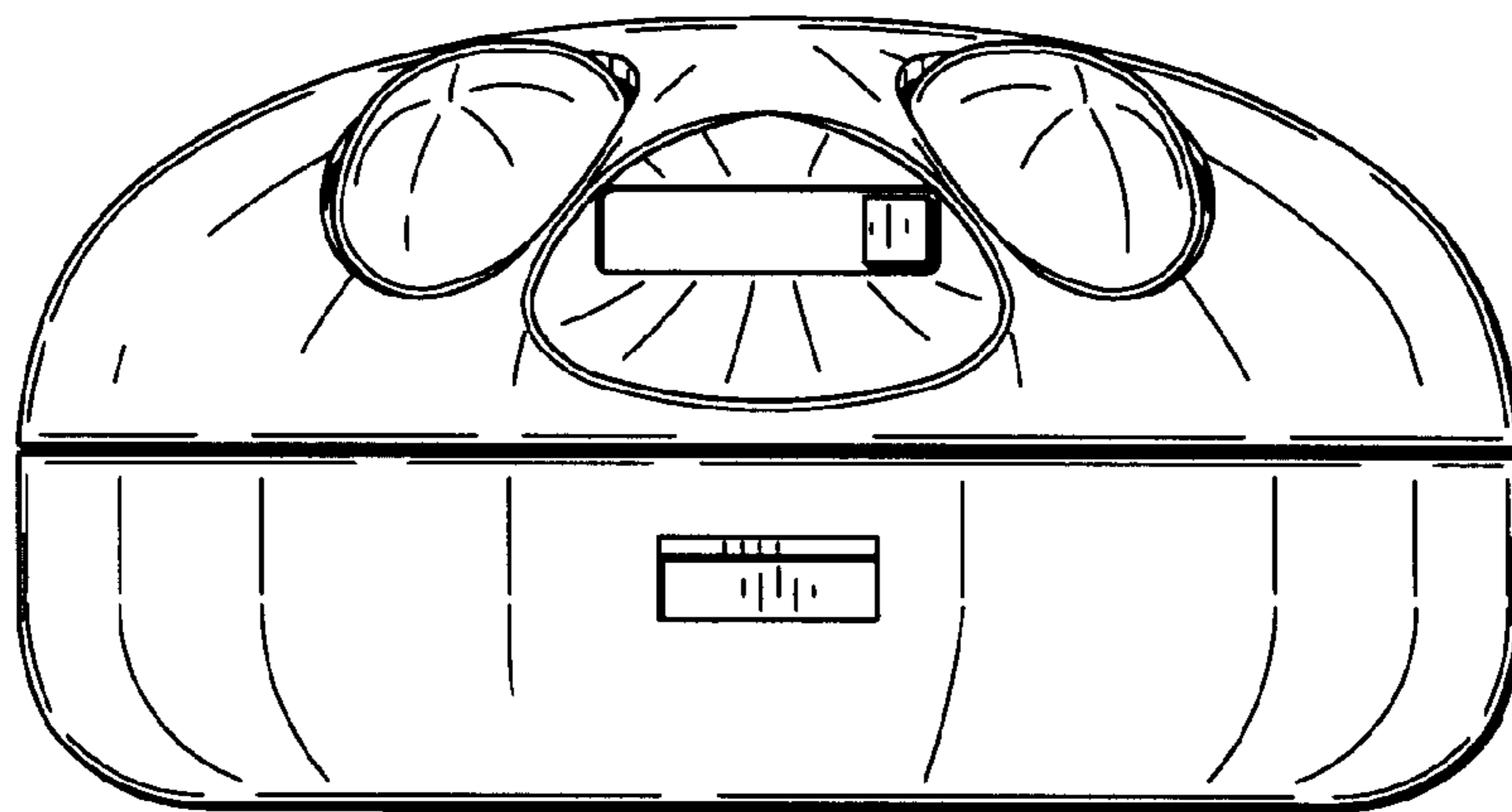
FIG. 8



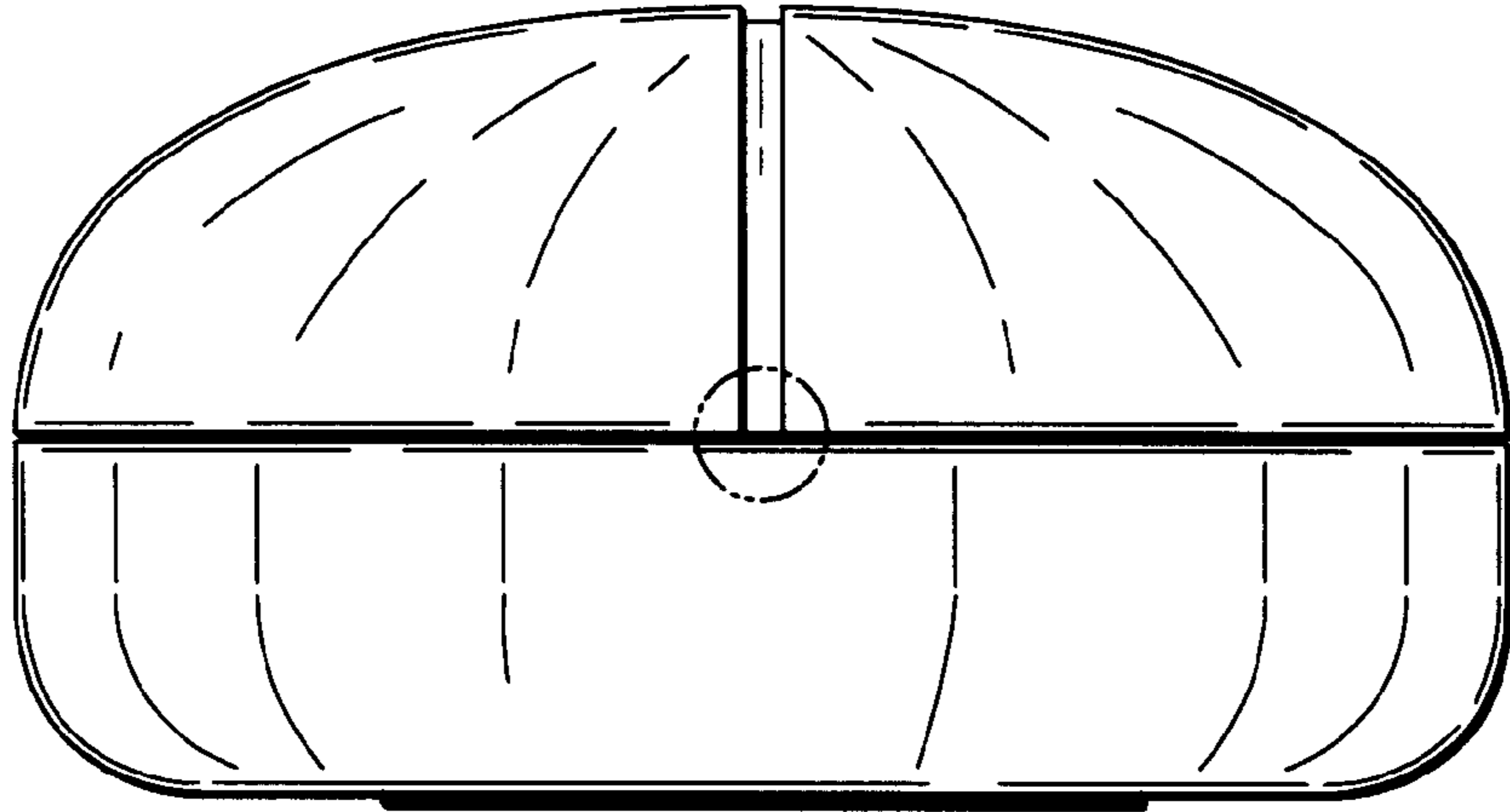
**FIG. 2**



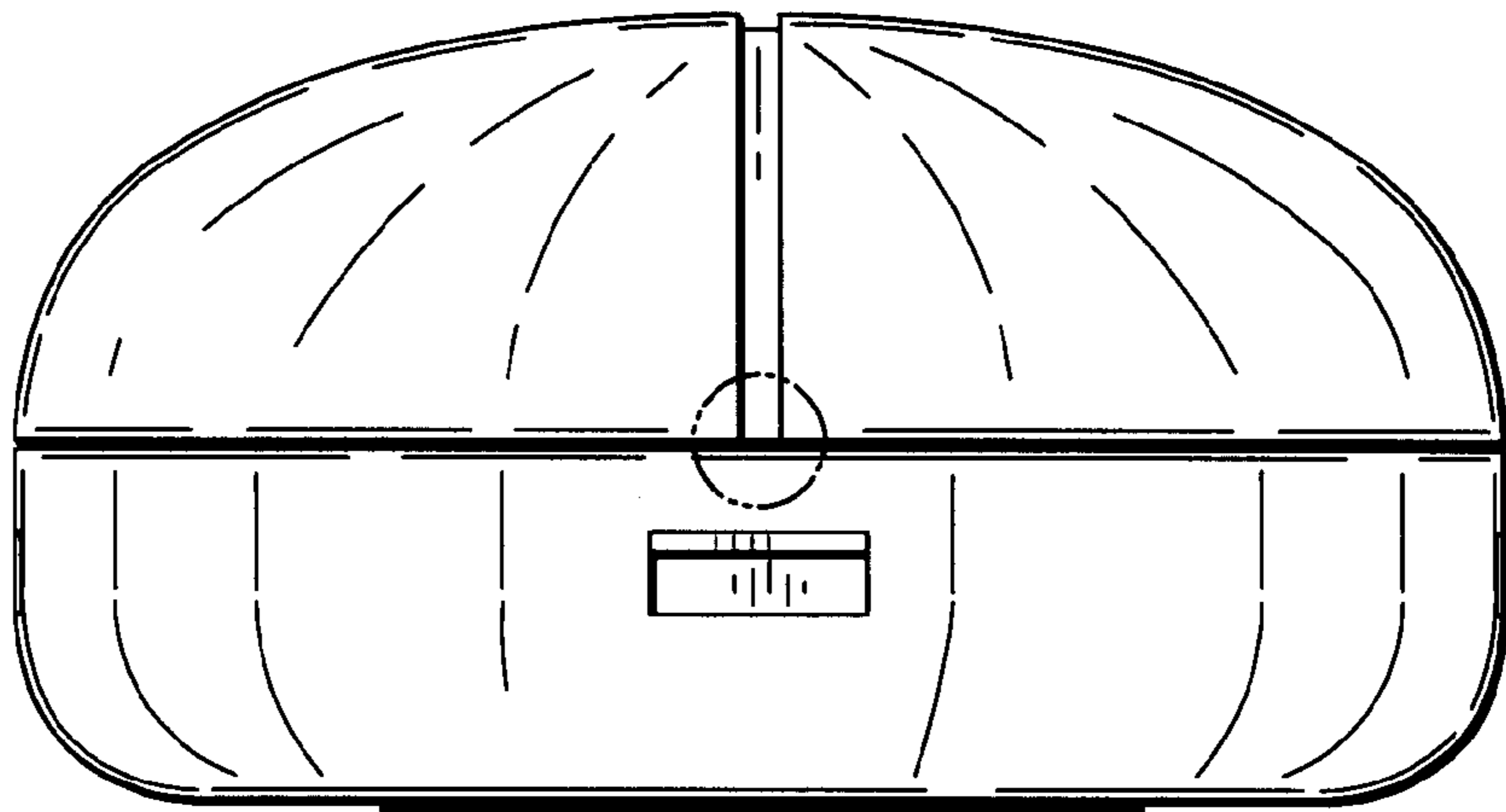
**FIG. 9**



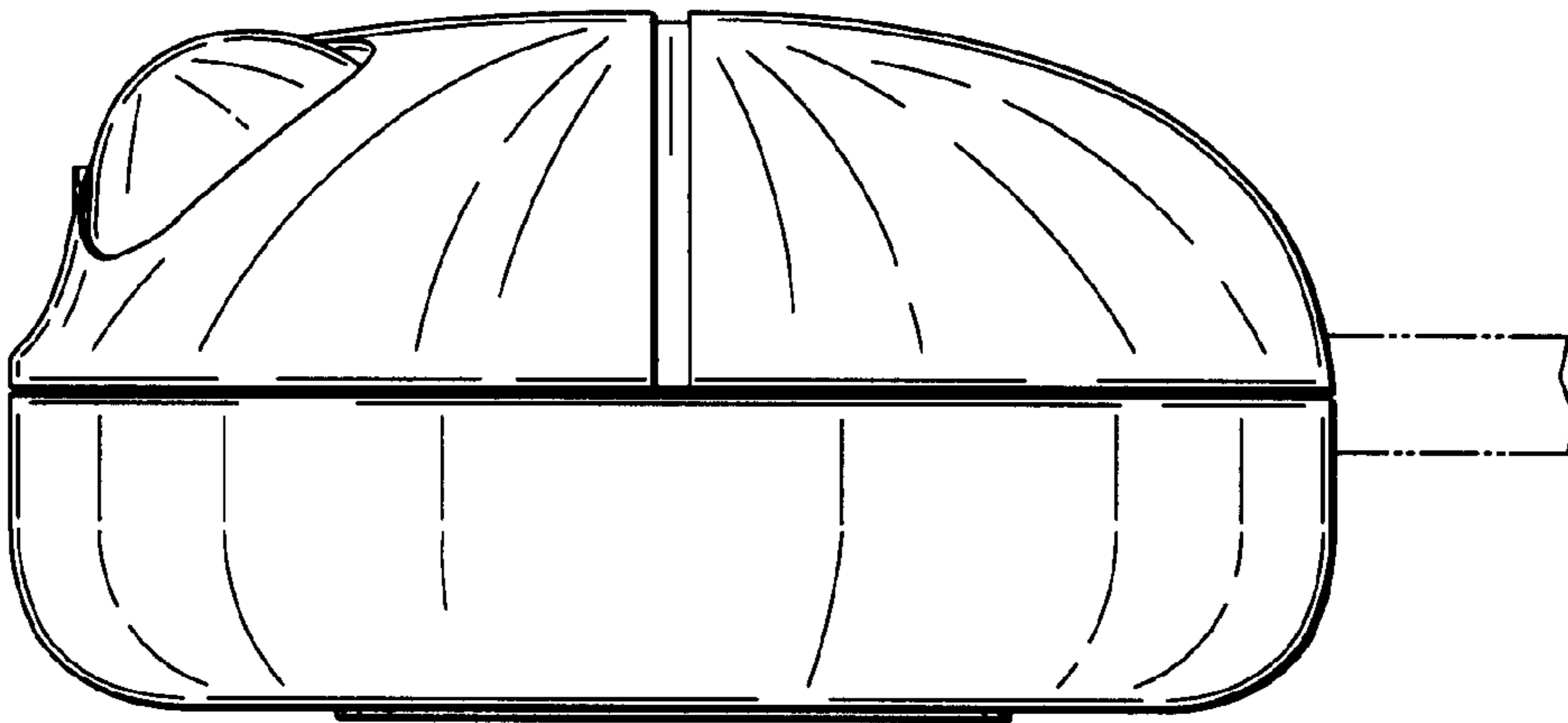
**FIG. 3**



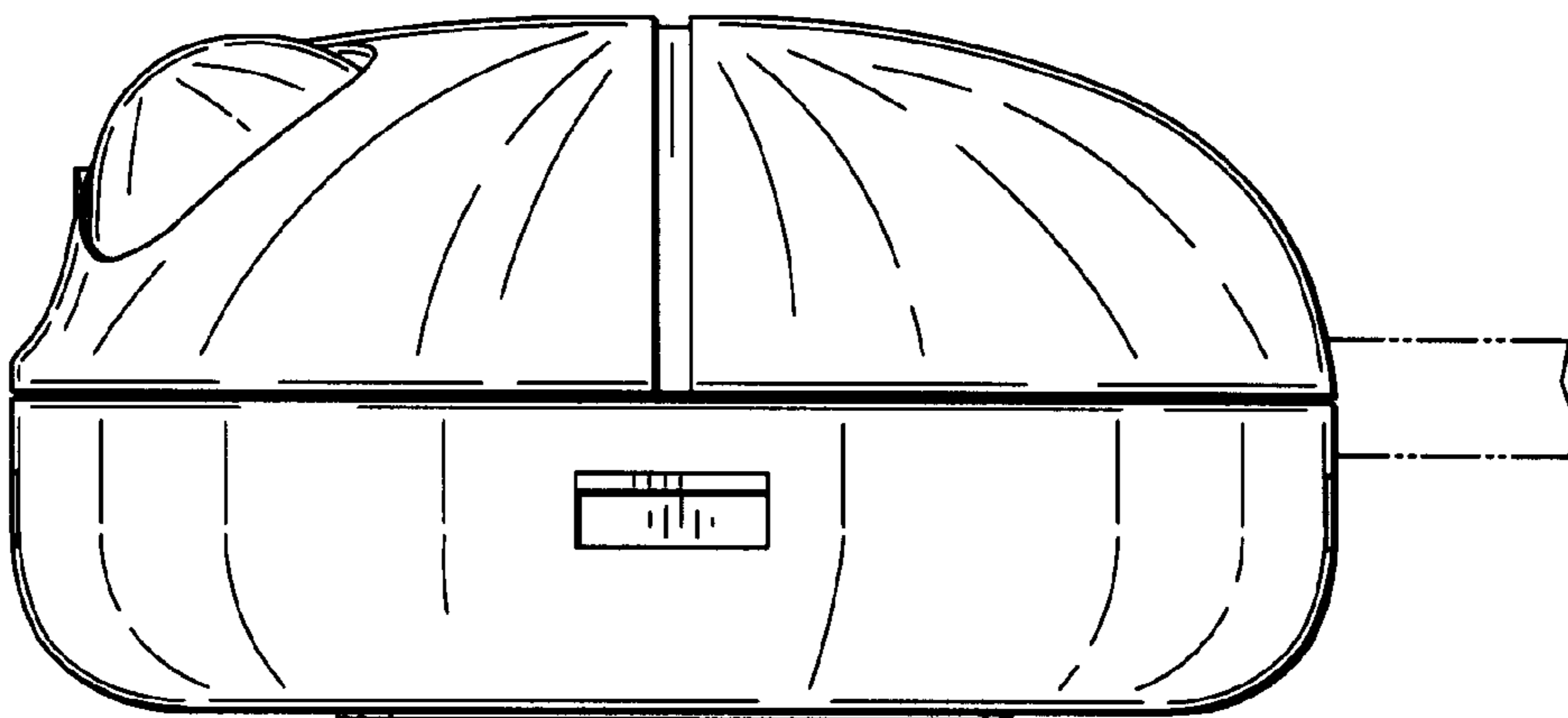
**FIG. 10**



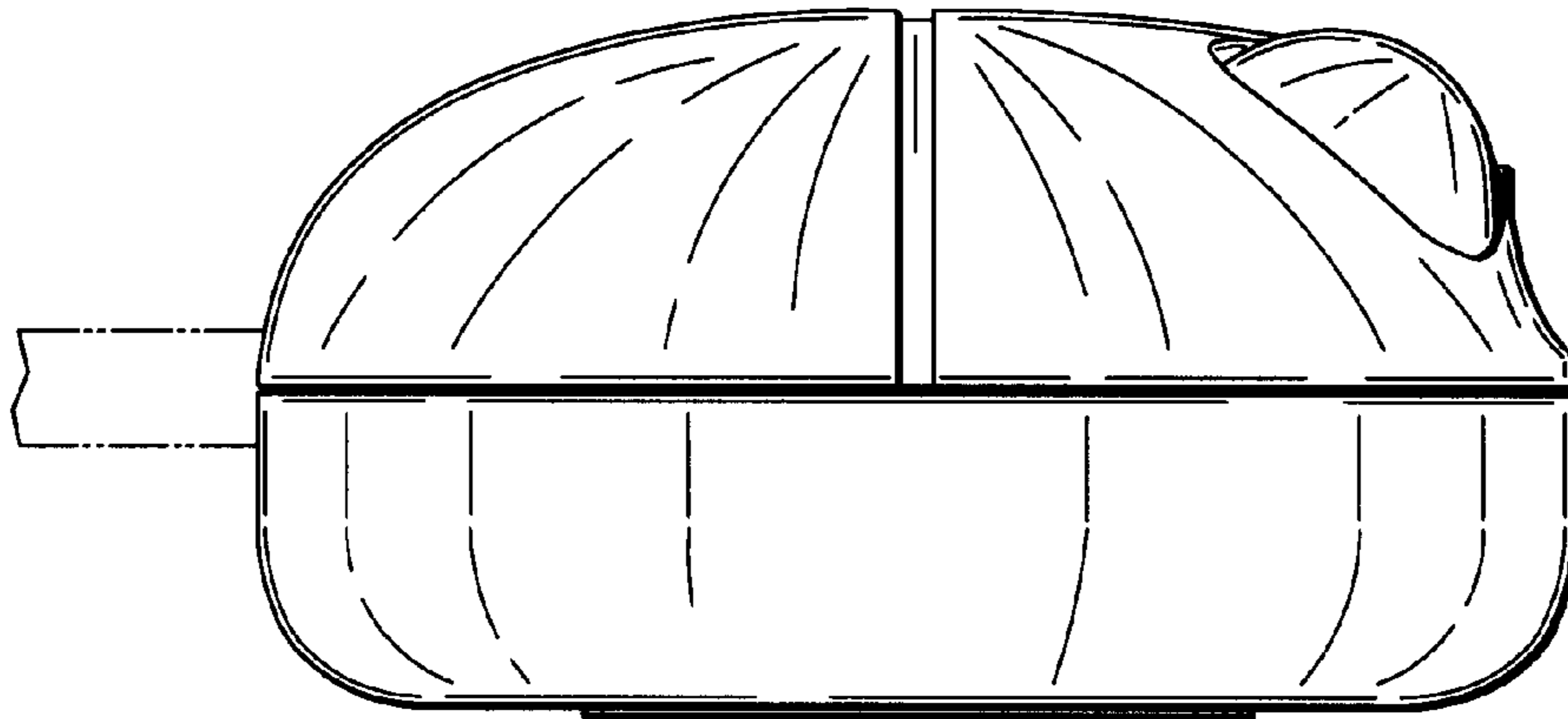
**FIG. 4**



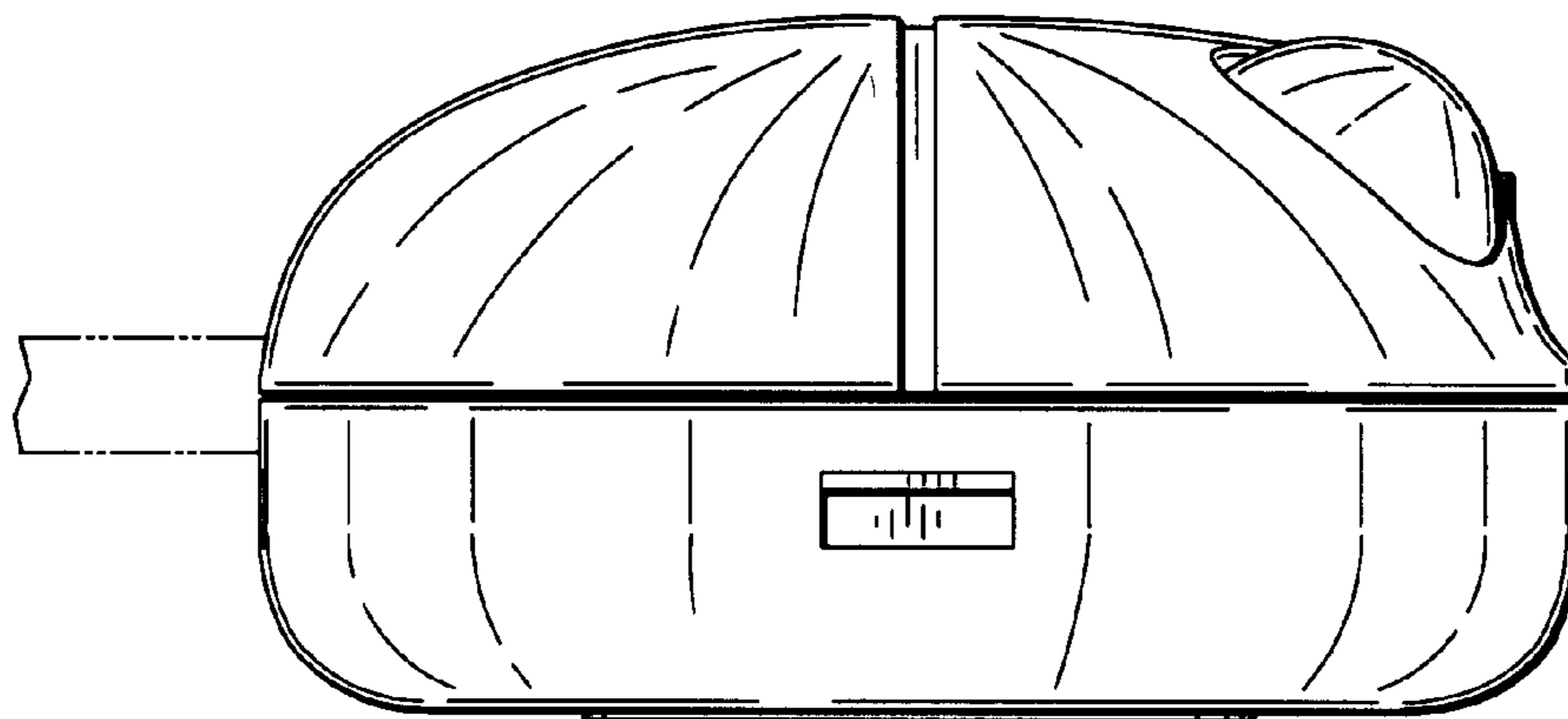
**FIG. 11**



**FIG. 5**

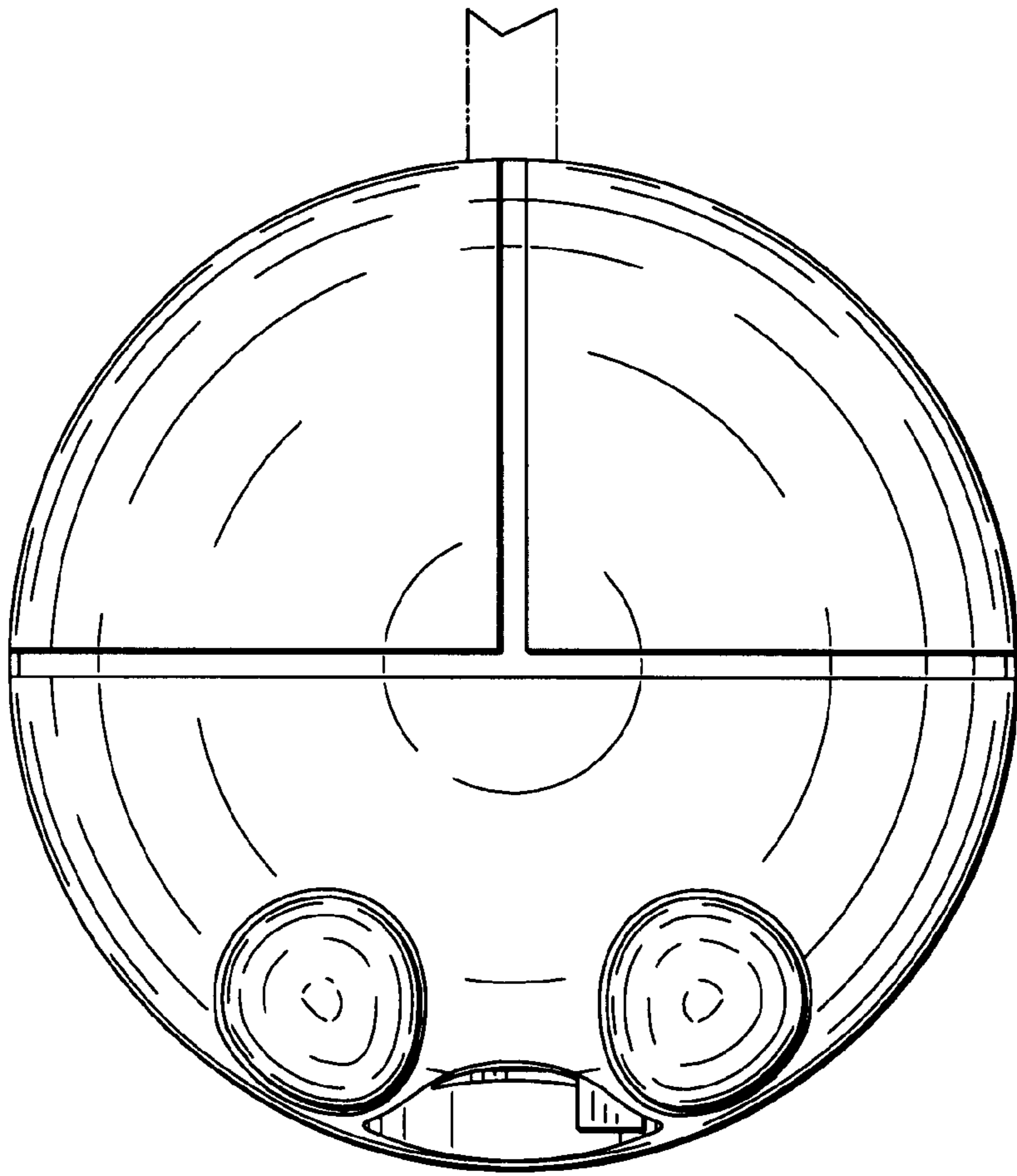


**FIG. 12**

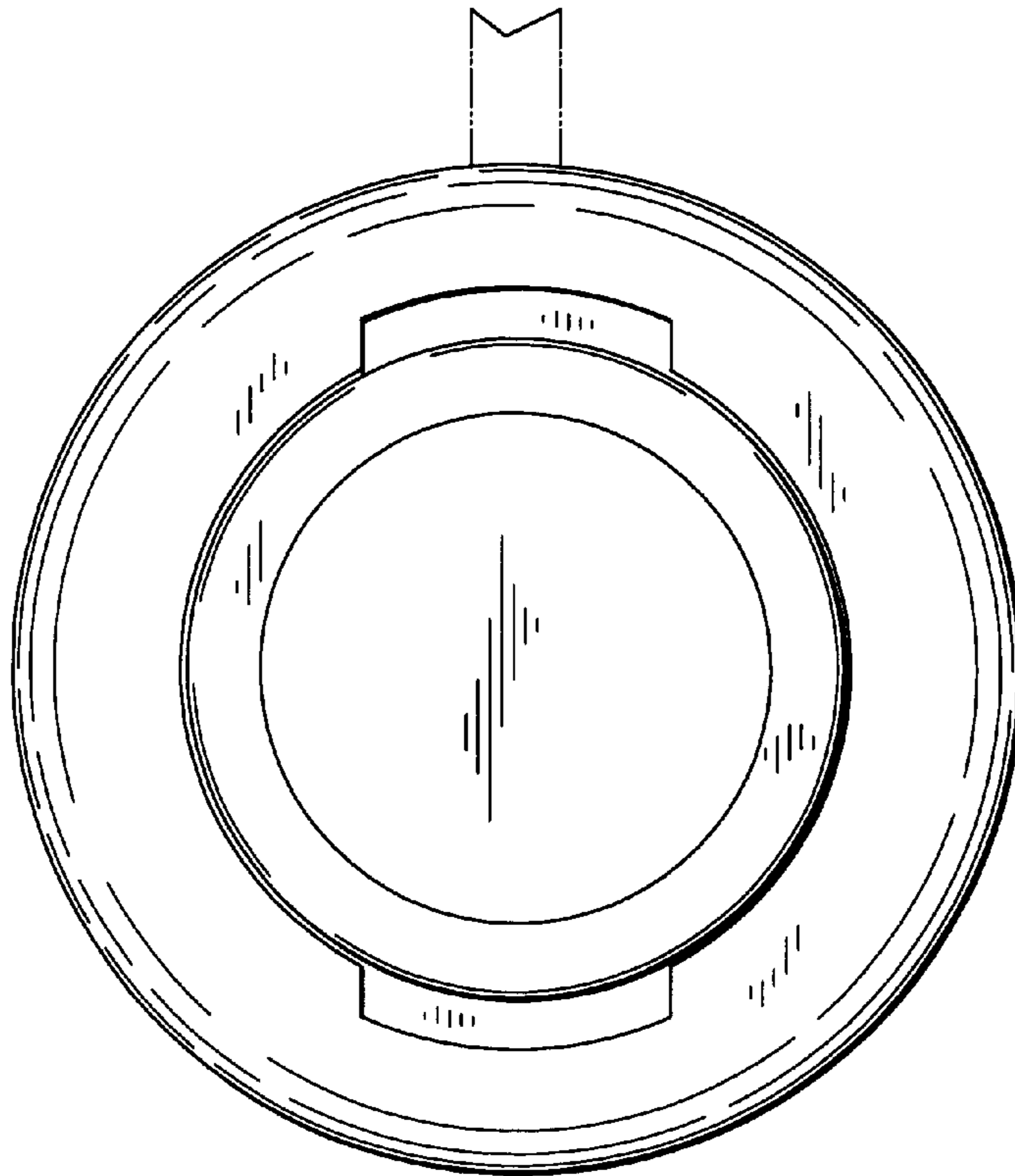




**FIG. 6**



**FIG. 7**



**FIG. 13**

