



US00D478056S

(12) **United States Design Patent**
Koo et al.

(10) **Patent No.:** **US D478,056 S**

(45) **Date of Patent:** **** Aug. 5, 2003**

(54) **HOUSING FOR A COMMUNICATIONS DEVICE**

(75) Inventors: **Jasung Koo**, Seoul (KR); **Yoonho Choi**, Seoul (KR)

(73) Assignee: **Motorola, Inc.**, Schaumburg, IL (US)

(**) Term: **14 Years**

(21) Appl. No.: **29/167,236**

(22) Filed: **Sep. 11, 2002**

(30) **Foreign Application Priority Data**

Mar. 11, 2002 (KR) 2002-7000

(51) **LOC (7) Cl.** **14-03**

(52) **U.S. Cl.** **D14/138**

(58) **Field of Search** D14/137, 138,
D14/218, 147-148, 247-248, 144, 341-347;
379/433.01-433.13, 419, 434, 428.01-428.04,
420.01-420.04, 440; 455/550-575, 90;
D21/517

(56) **References Cited**

U.S. PATENT DOCUMENTS

D345,356 S	*	3/1994	Ando et al.	D14/138
D359,734 S	*	6/1995	Nagele et al.	D14/138
D369,598 S	*	5/1996	Nagele et al.	D14/138
D382,556 S	*	8/1997	Jeong	D14/138
D408,402 S	*	4/1999	Shimelfarb et al.	D14/138
D423,000 S	*	4/2000	Prietsman et al.	D14/138
D429,488 S	*	8/2000	Nagele et al.	D14/138
D433,016 S	*	10/2000	Matsuda et al.	D14/345
D440,955 S	*	4/2001	Tanaka et al.	D14/138

D445,101 S	*	7/2001	Lee et al.	D14/138
D445,412 S	*	7/2001	Lee et al.	D14/138
D445,771 S	*	7/2001	Kim	D14/138
D447,128 S	*	8/2001	Lee et al.	D14/138
D450,046 S	*	11/2001	Chun	D14/138
D455,414 S	*	4/2002	Lee et al.	D14/138
D456,378 S	*	4/2002	Fujimoto	D14/138
D458,594 S	*	6/2002	Jang	D14/138
D463,386 S	*	9/2002	Chun et al.	D14/138
D468,282 S	*	1/2003	Chen	D14/138
D468,283 S	*	1/2003	Hong et al.	D14/138
D469,070 S	*	1/2003	Lee	D14/138

* cited by examiner

Primary Examiner—Jeffrey Asch

(74) *Attorney, Agent, or Firm*—Randall S. Vaas

(57) **CLAIM**

The ornamental design for a housing for a communications device of similar articles, as shown.

DESCRIPTION

FIG. 1 is a front, bottom and first side perspective view of an ornamental housing for communications devices or similar articles.

FIG. 2 is a front elevation view thereof.

FIG. 3 is a rear elevation view thereof.

FIG. 4 is a second side elevation view thereof.

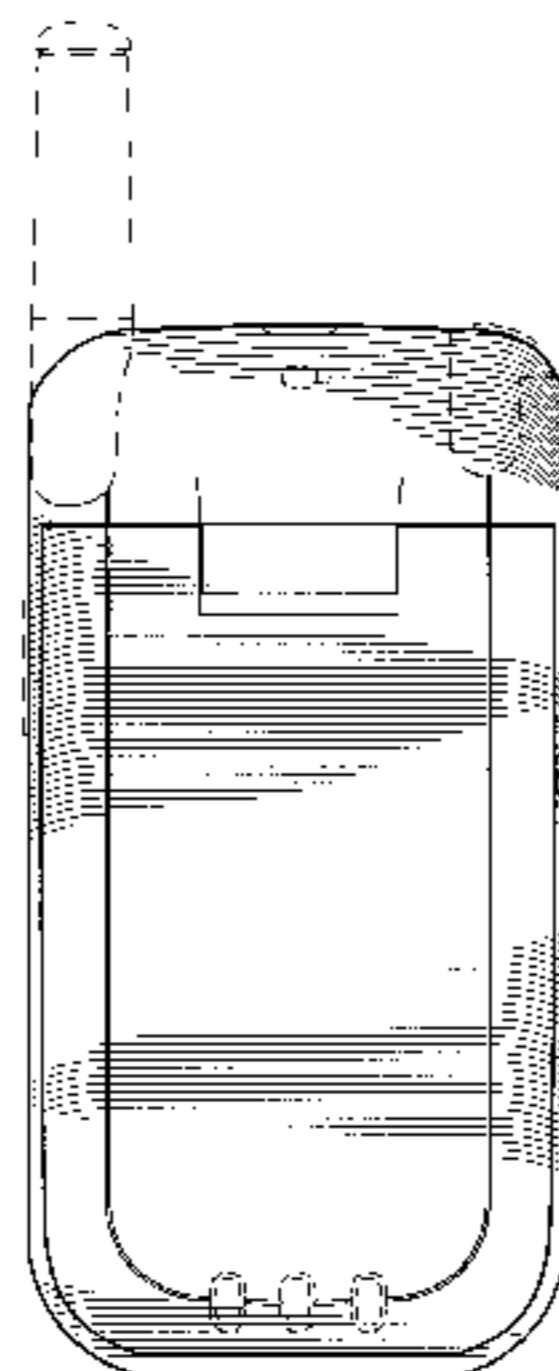
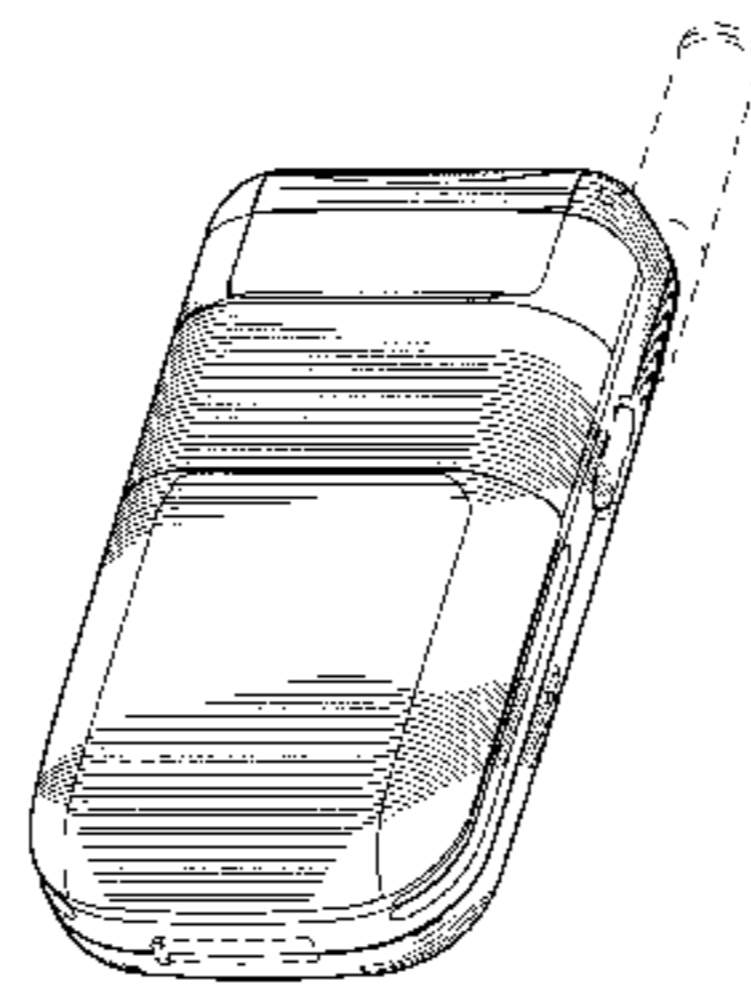
FIG. 5 is a first side elevation view thereof.

FIG. 6 is a top plan view thereof.

FIG. 7 is a bottom plan view thereof.

The broken lines in FIGS. 1-7 form no part of the claimed design.

1 Claim, 4 Drawing Sheets



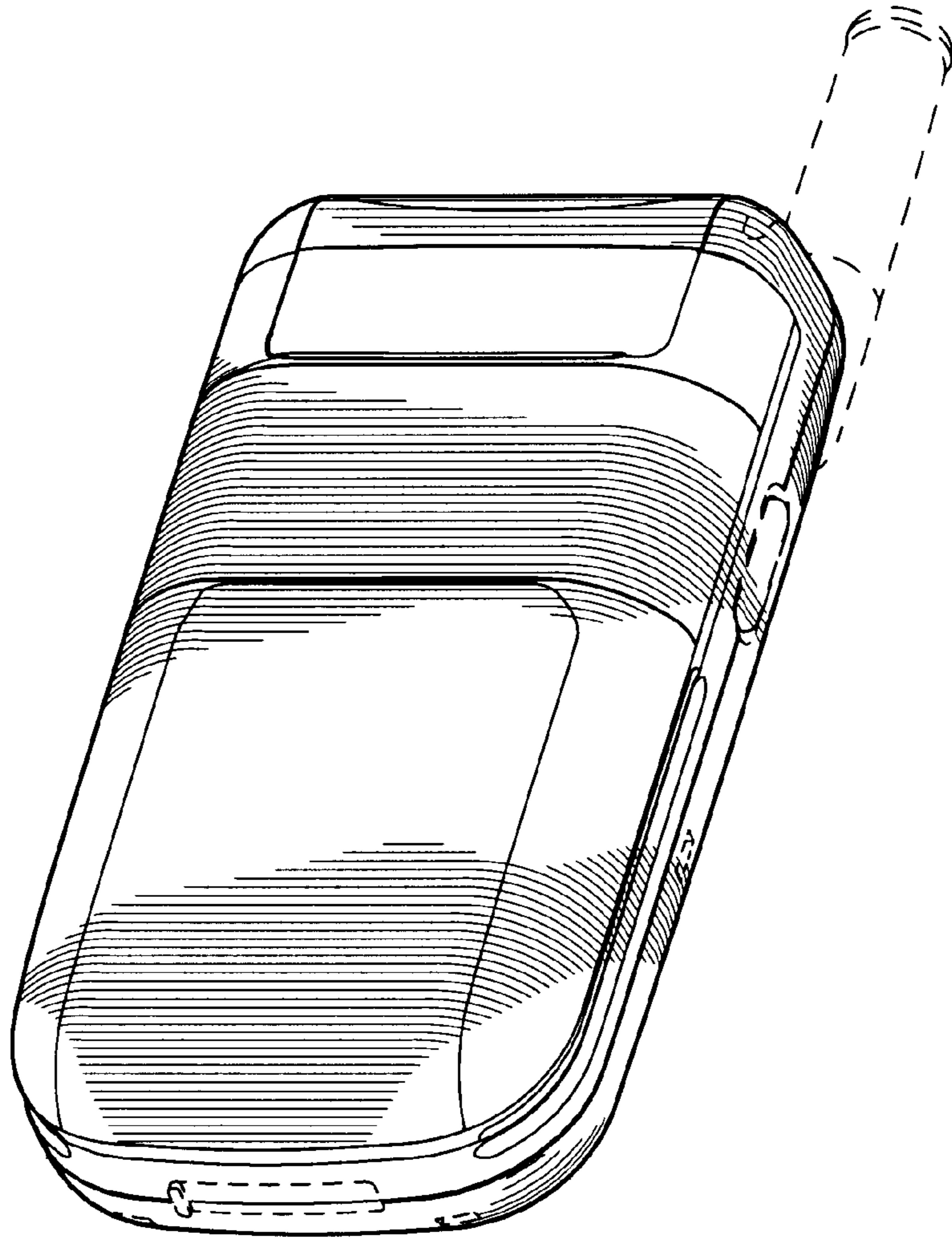


FIG. 1

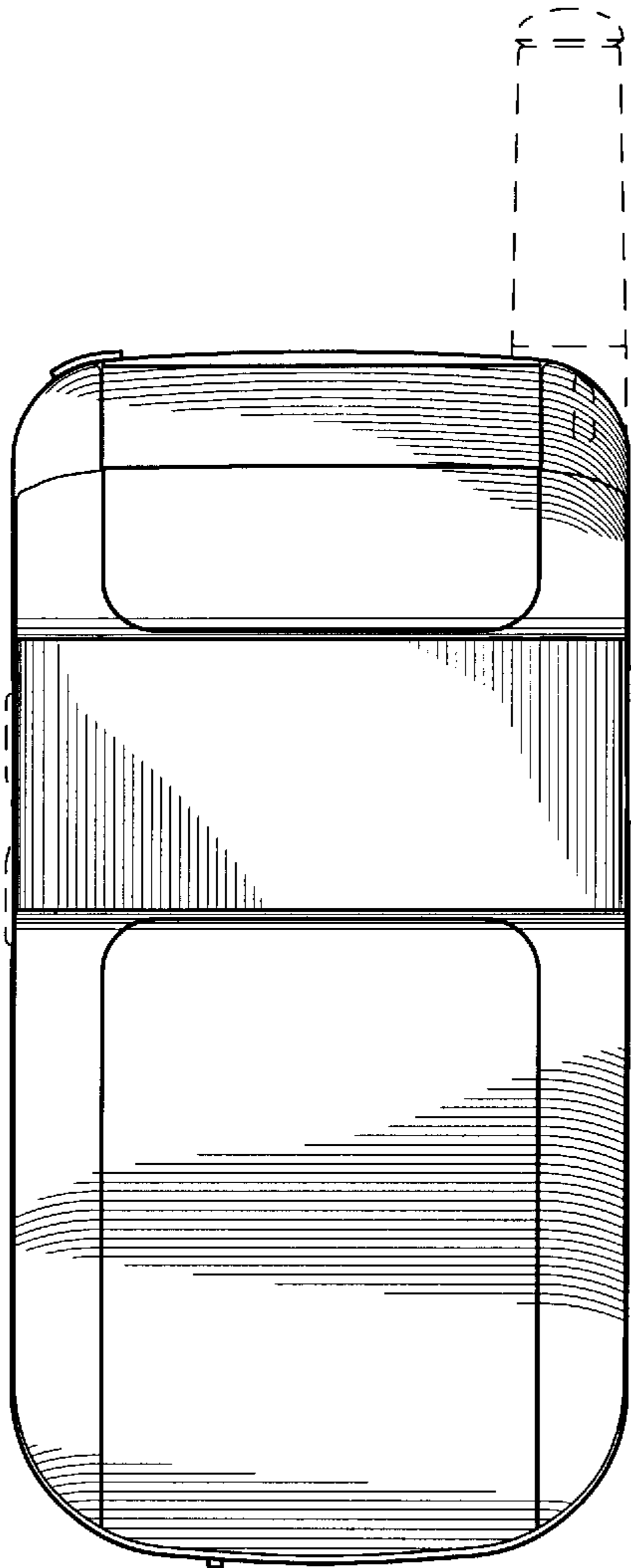


FIG. 2

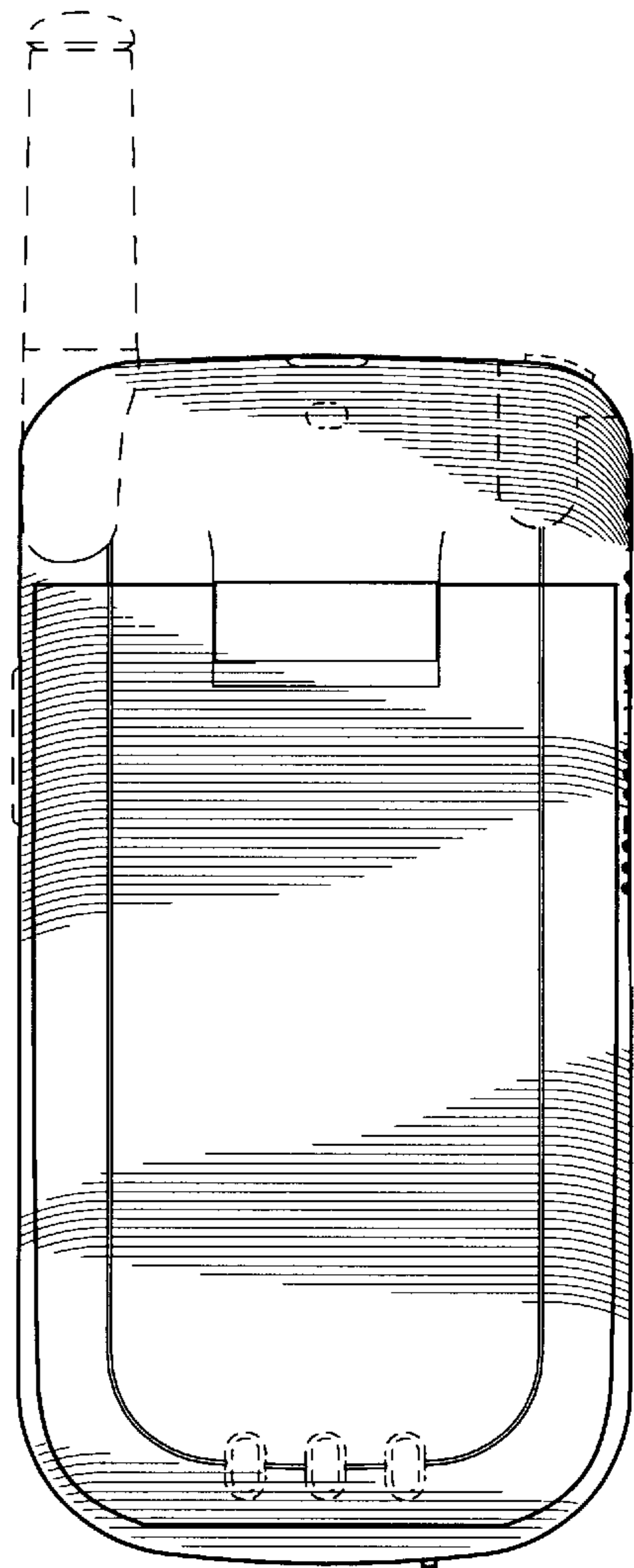


FIG. 3

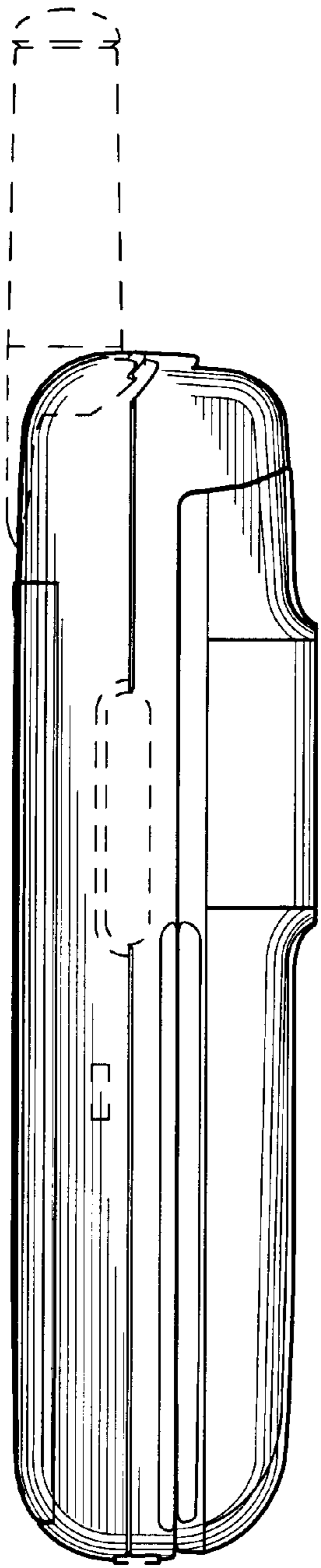


FIG. 4

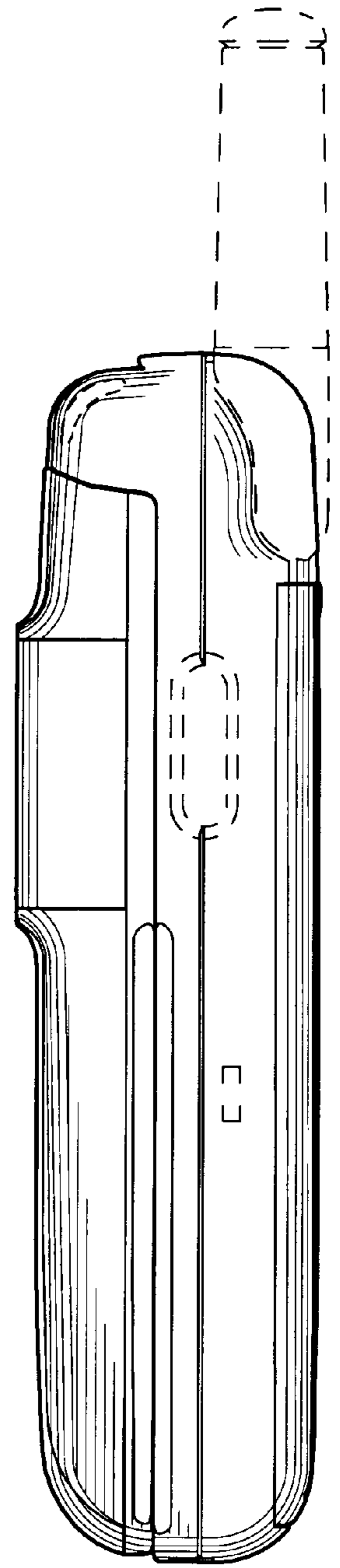


FIG. 5

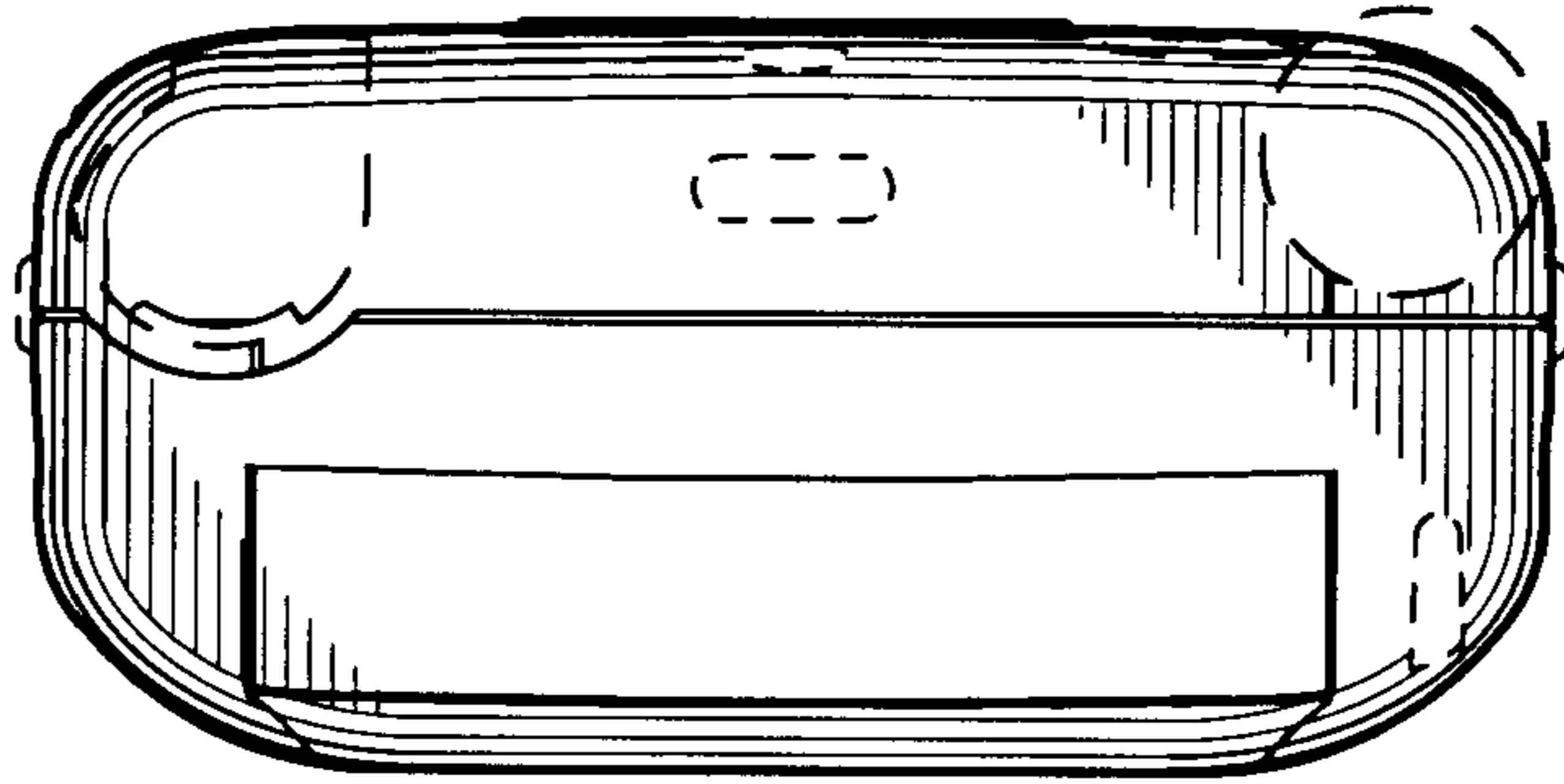


FIG. 6

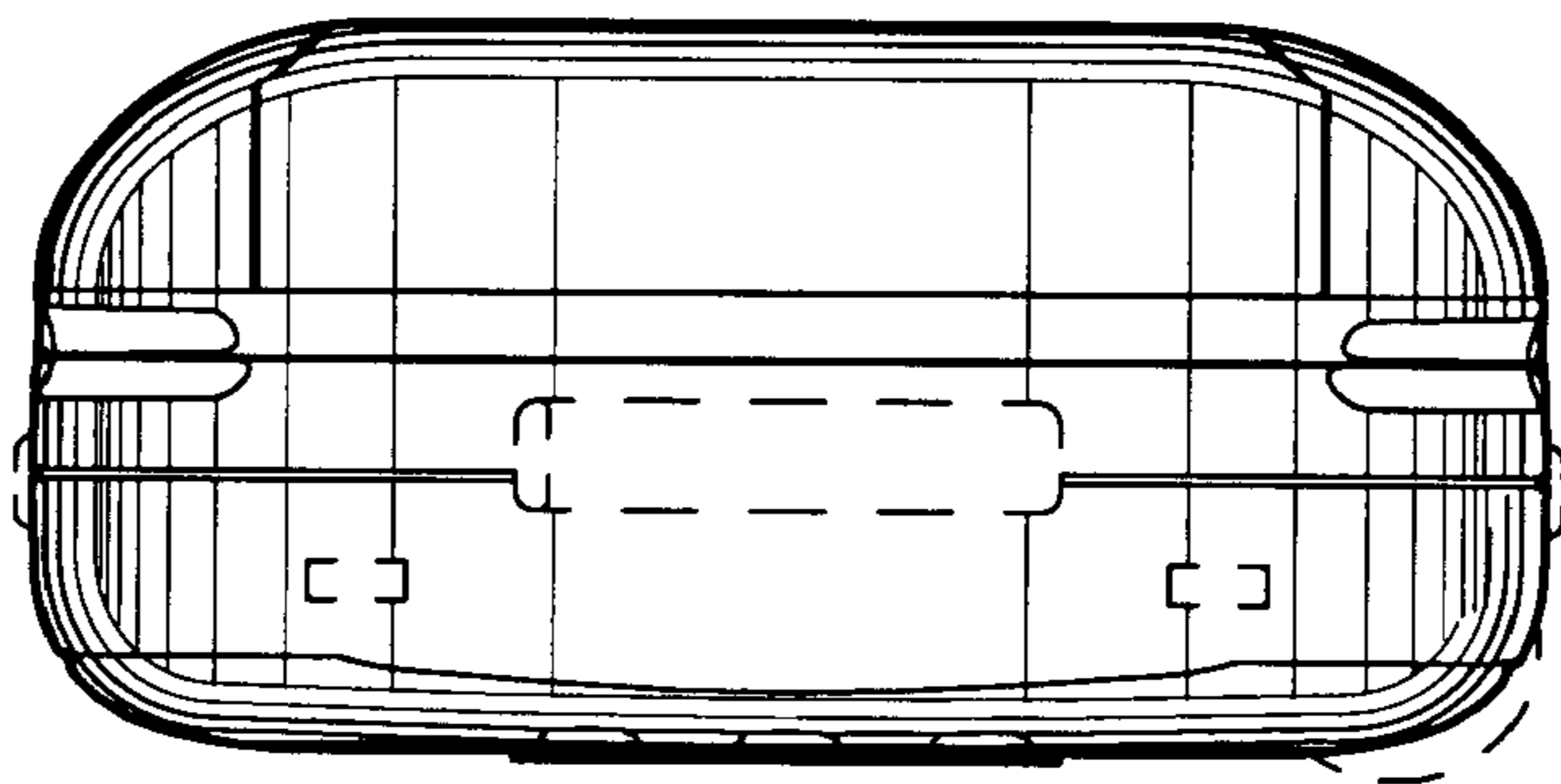


FIG. 7