



US00D478051S

(12) **United States Design Patent**
Sagawa

(10) **Patent No.:** **US D478,051 S**

(45) **Date of Patent:** **** Aug. 5, 2003**

(54) **REMOTE CONTROLLER FOR HOUSEHOLD ELECTRIC/ELECTRONIC APPLIANCES**

FOREIGN PATENT DOCUMENTS

(75) **Inventor:** **So Sagawa, Ota-ku (JP)**

JP	1040632	6/1999
JP	1098607	1/2001
JP	1108778	5/2001

(73) **Assignee:** **Kabushiki Kaisha Toshiba (JP)**

* cited by examiner

(**) **Term:** **14 Years**

Primary Examiner—Ted Shooman

Assistant Examiner—Selina Sikder

(21) **Appl. No.:** **29/163,697**

(74) *Attorney, Agent, or Firm*—Banner & Witcoff, Ltd.

(22) **Filed:** **Jul. 11, 2002**

(57) **CLAIM**

(30) **Foreign Application Priority Data**

The ornamental design for a remote controller for household electric/electronic appliances, as shown and described.

Jan. 17, 2002 (JP) 2002-000945

DESCRIPTION

(51) **LOC (7) Cl.** **13-03**

(52) **U.S. Cl.** **D13/168**

(58) **Field of Search** D13/162, 164, D13/168; D10/104, 106; D14/191, 192, 218, 341, 342, 390; 340/5.54, 5.62, 5.72, 425.5, 426, 525, 825.22, 825.36, 825.39, 825.5, 825.69, 825.72; 341/23, 176; 348/734

FIG. 1 is a front bottom and right side perspective view of a remote controller for household electric/electronic appliances showing my new design,

FIG. 2 is a front elevational view thereof,

FIG. 3 is a rear elevational view thereof,

FIG. 4 is a left side elevational view thereof,

FIG. 5 is a right side elevational view thereof,

FIG. 6 is a top plan view thereof

FIG. 7 is a bottom plan view thereof; and,

FIG. 8 is a right side elevational view showing the article with the carrying-handle in an extended position and the stand in a standing position thereof.

(56) **References Cited**

U.S. PATENT DOCUMENTS

D317,151 S	5/1991	Daly	
D392,620 S	* 3/1998	Ashcraft et al.	D13/168
D427,155 S	* 6/2000	Pawley et al.	D13/162
D451,505 S	* 12/2001	Iseki et al.	D14/341
D464,646 S	* 10/2002	Lin	D14/341

1 Claim, 3 Drawing Sheets

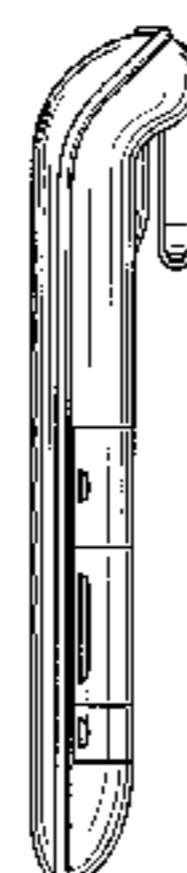
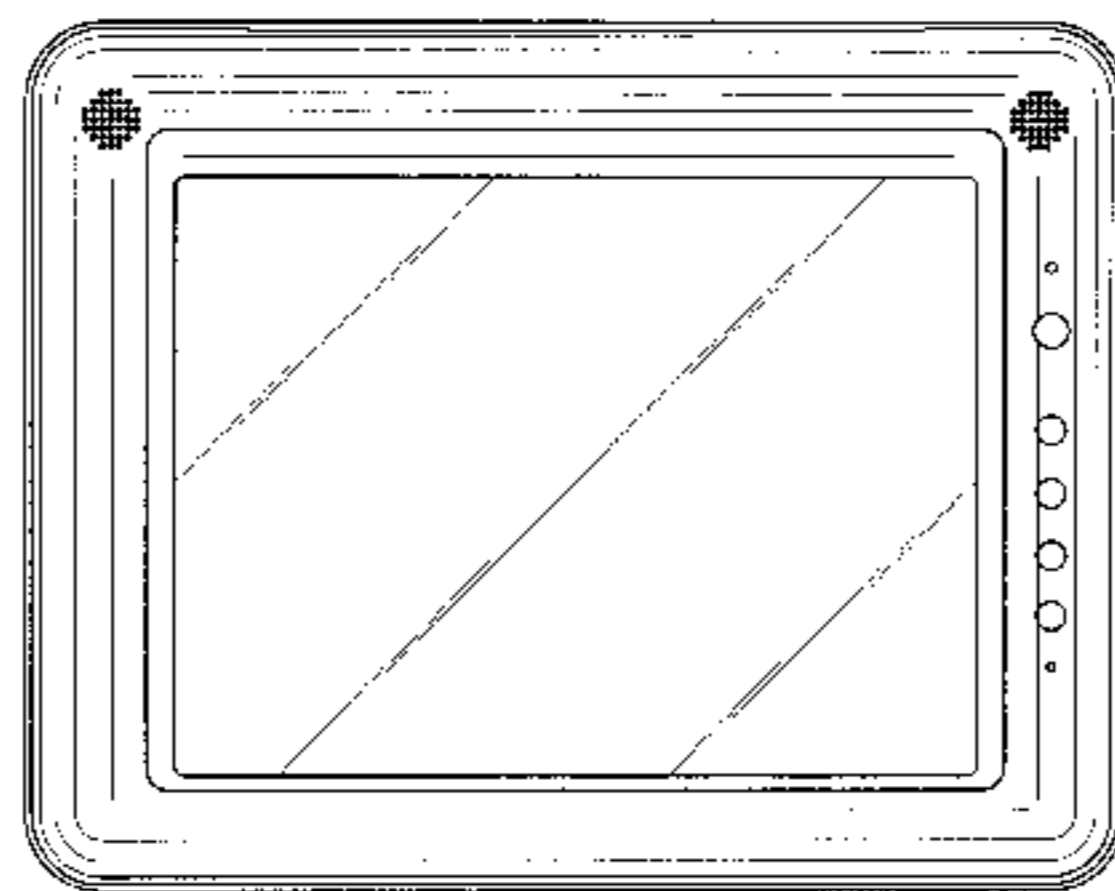
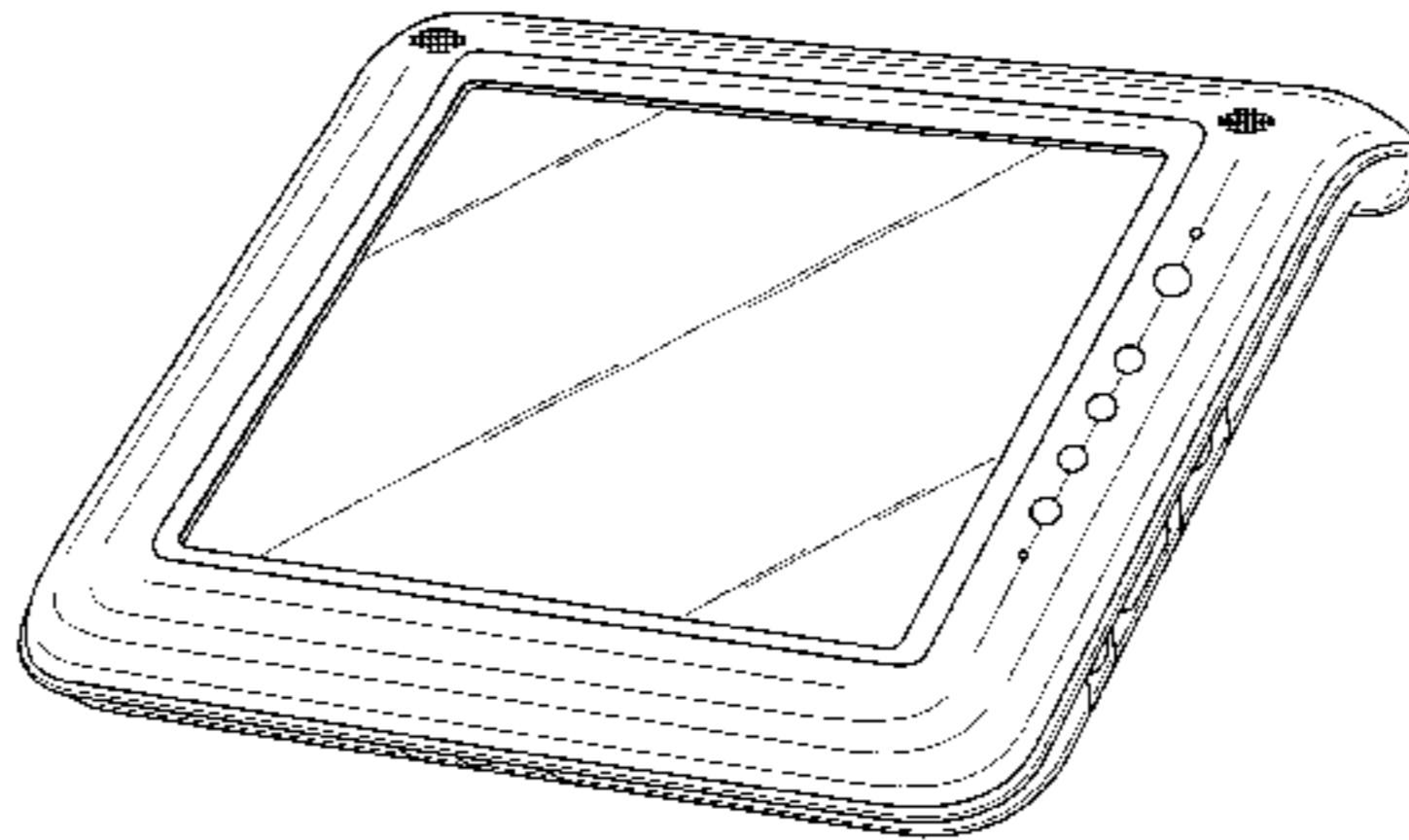


FIG. 1

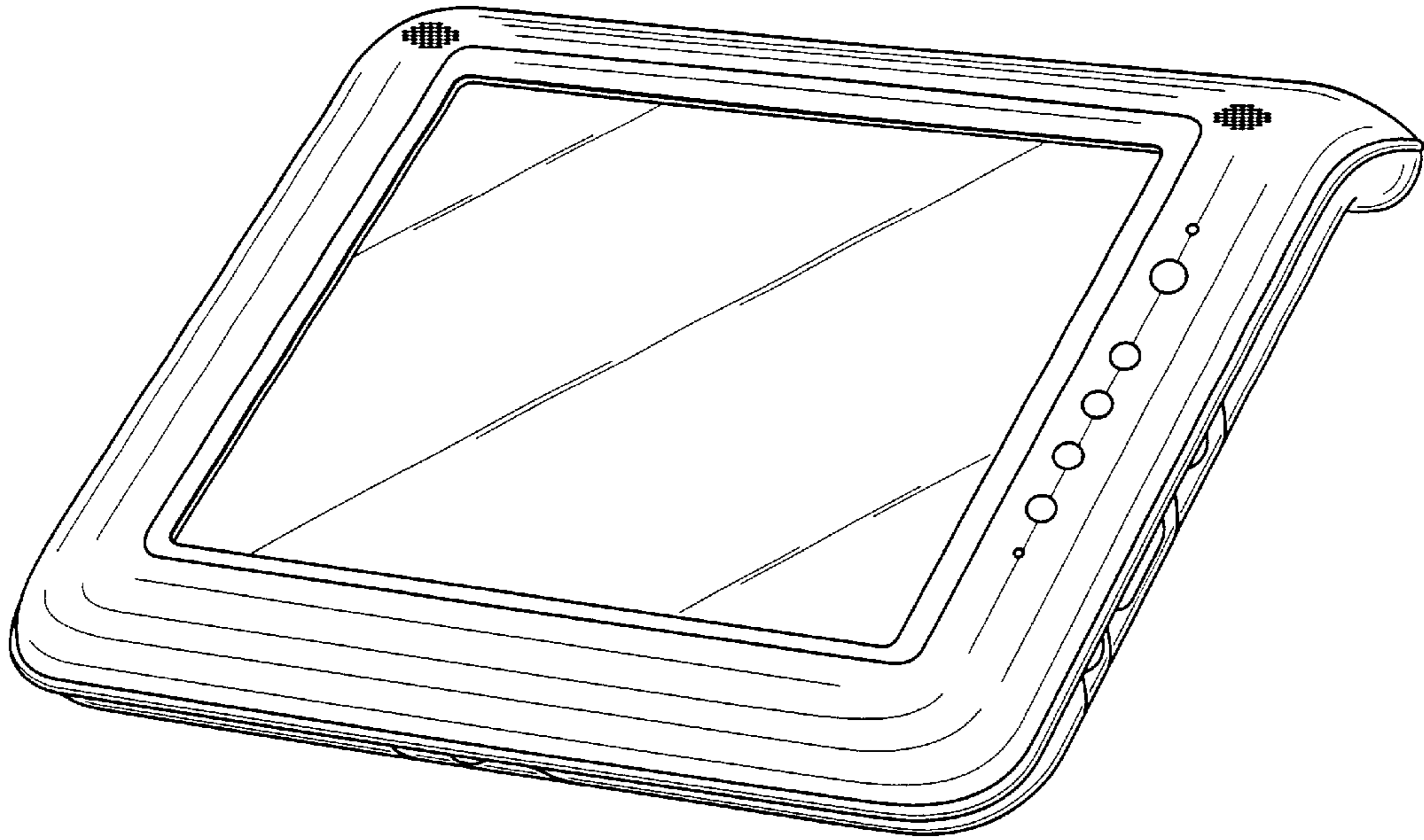


FIG. 2

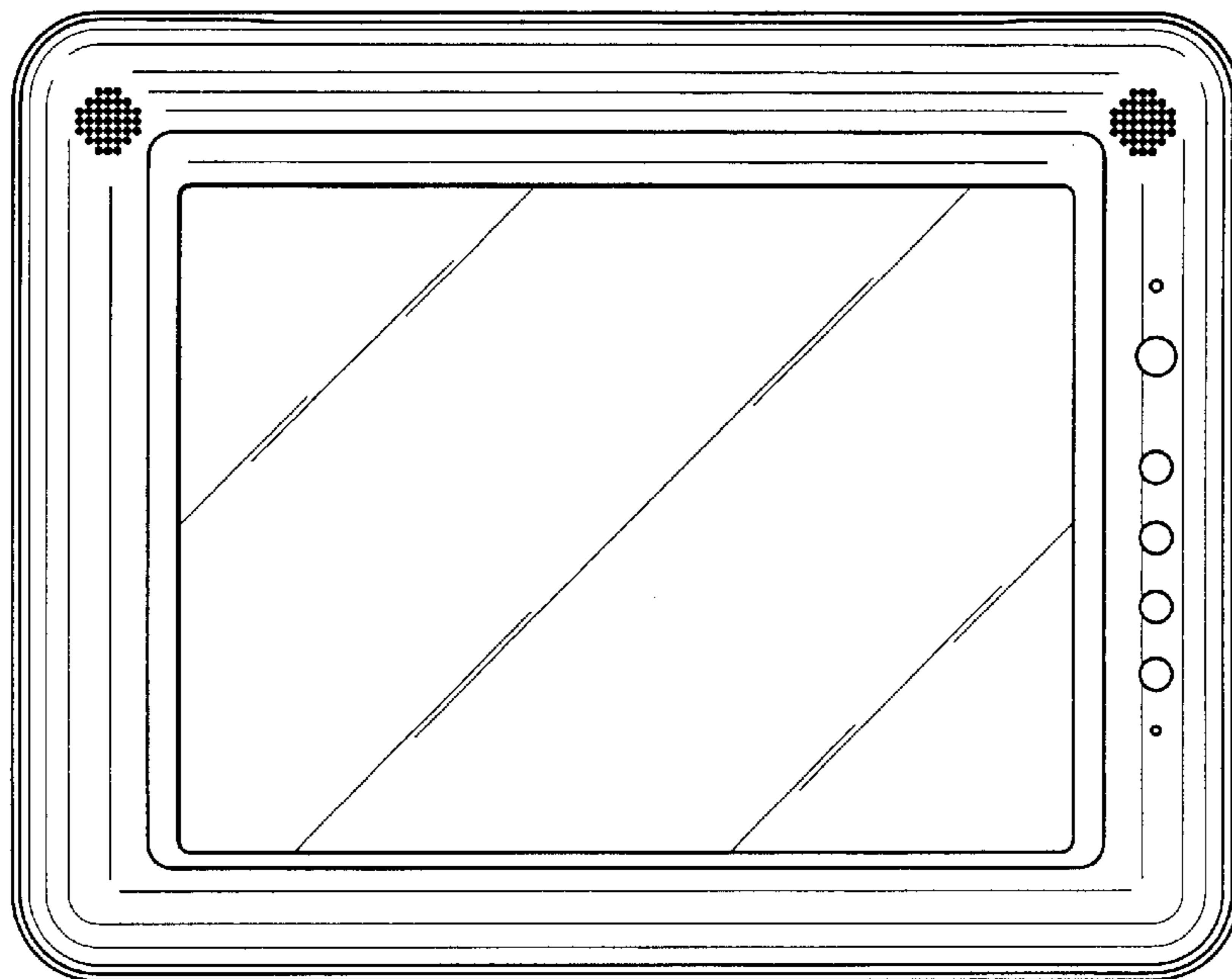


FIG. 3

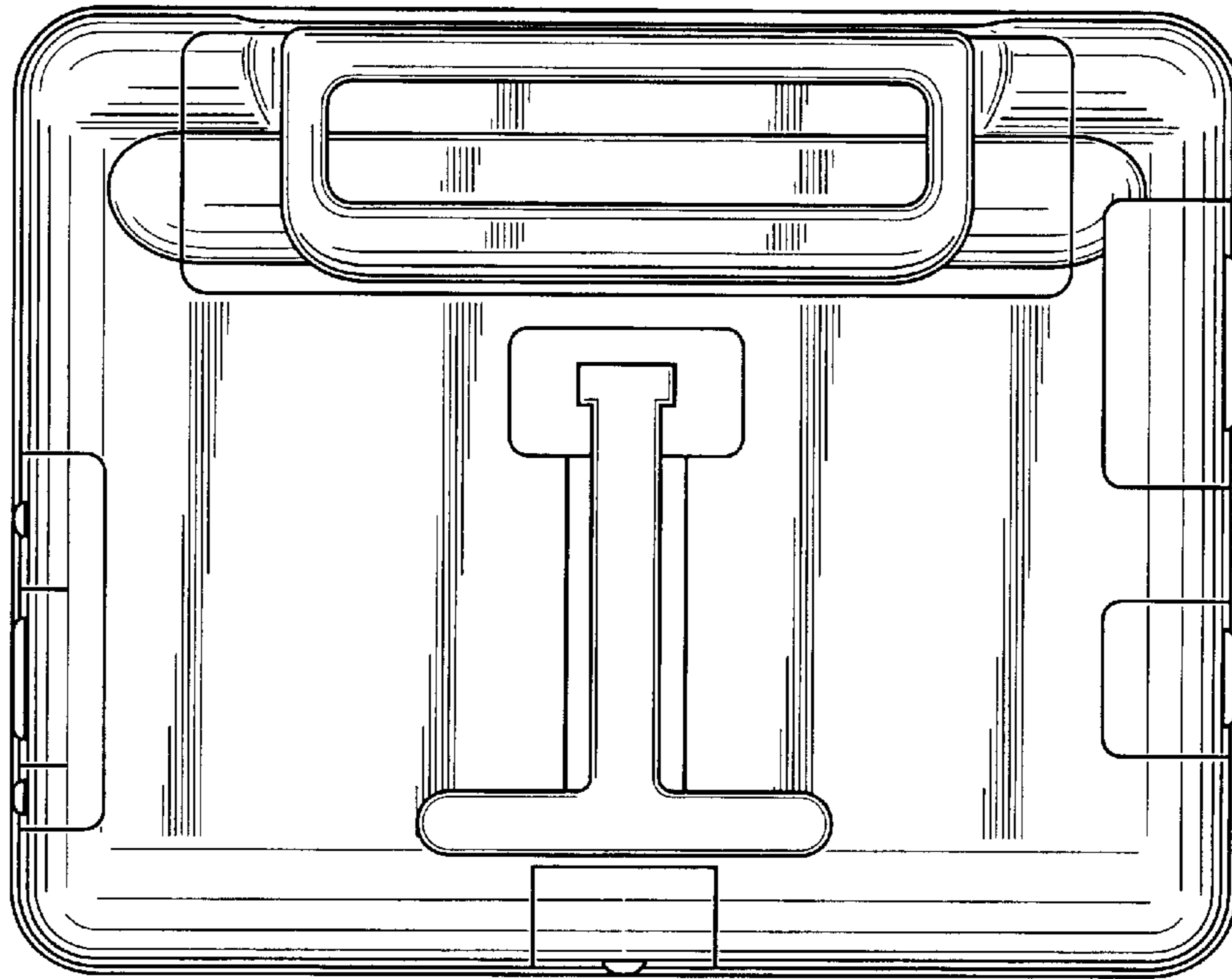


FIG. 4

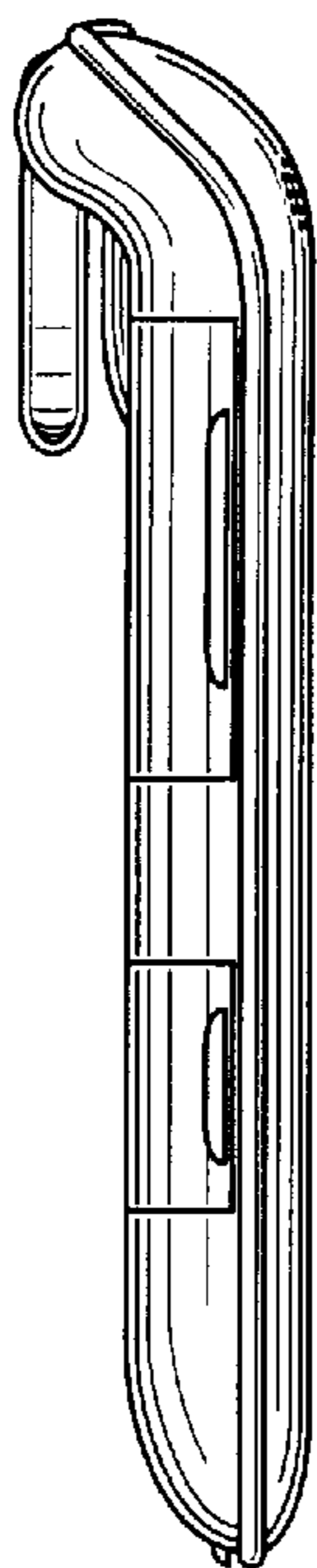


FIG. 5

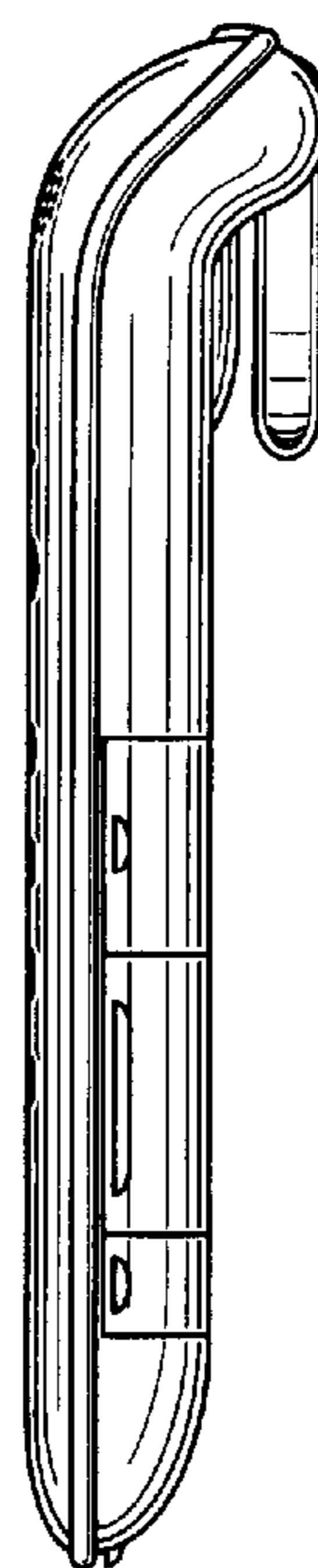


FIG. 6

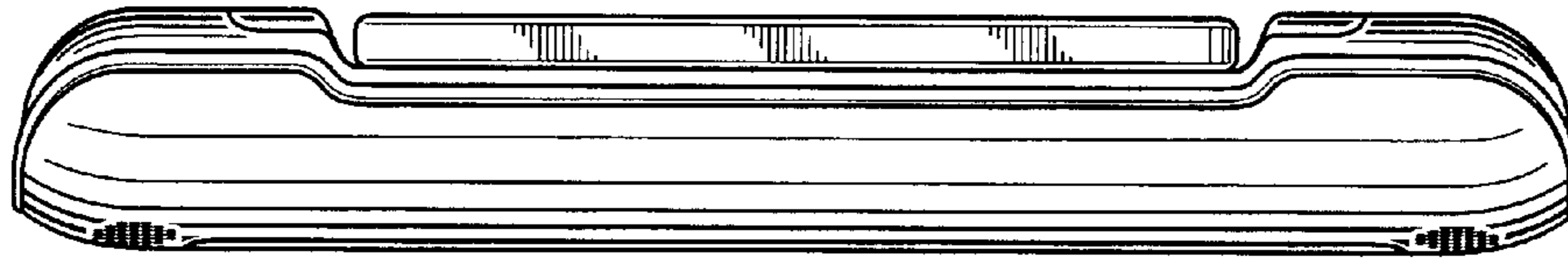


FIG. 7

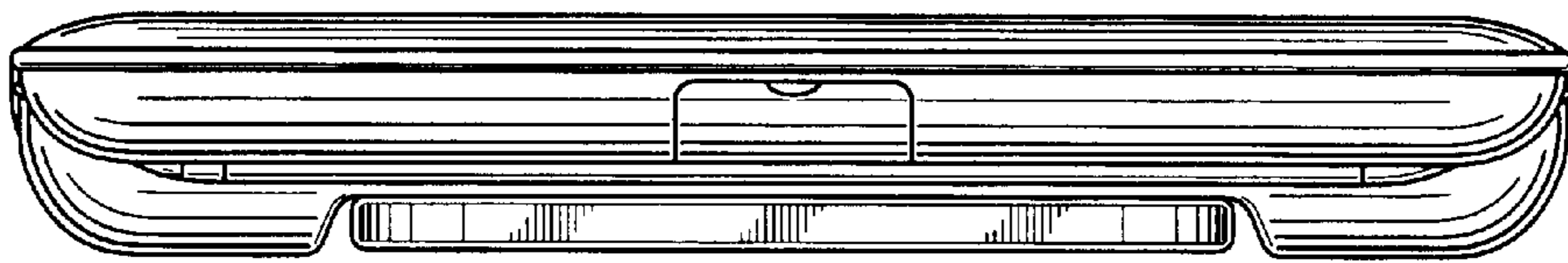


FIG. 8

