



US00D478047S

(12) **United States Design Patent**
Liang

(10) **Patent No.:** **US D478,047 S**

(45) **Date of Patent:** **** Aug. 5, 2003**

(54) **ELECTRIC COUPLER FOR BATTERIES**

* cited by examiner

(76) Inventor: **Shih Chung Liang**, P.O.Box 10-69,
Chong Ho, Taipei (TW), 235

Primary Examiner—Joel Sincavage

(**) Term: **14 Years**

(57) **CLAIM**

The ornamental design for an electric coupler for batteries,
as shown and described.

(21) Appl. No.: **29/171,509**

(22) Filed: **Nov. 21, 2002**

DESCRIPTION

(51) **LOC (7) Cl.** **13-02**

(52) **U.S. Cl.** **D13/120**

(58) **Field of Search** D13/119, 120,
D13/151, 149; 439/762, 763, 764

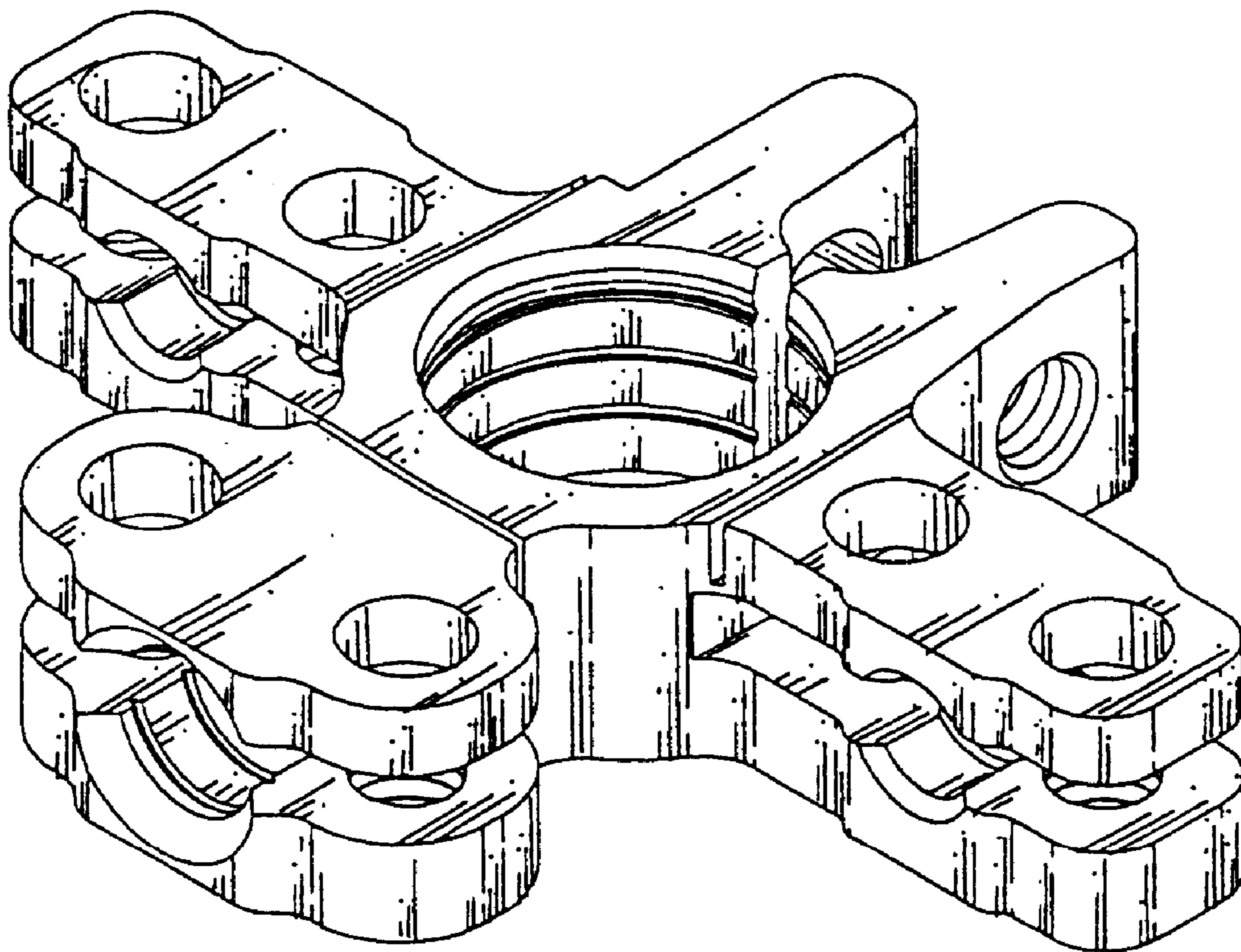
FIG. 1 is an upper perspective view of an electric coupler for
batteries showing my new design;
FIG. 2 is a front elevational view thereof;
FIG. 3 is a rear elevational view thereof;
FIG. 4 is a top plan view thereof;
FIG. 5 is a bottom plan view thereof;
FIG. 6 is a left side elevational view thereof;
FIG. 7 is a right side elevational view thereof; and,
FIG. 8 is a bottom perspective view thereof.

(56) **References Cited**

U.S. PATENT DOCUMENTS

D449,272 S	*	10/2001	Liang	D13/120
D451,471 S	*	12/2001	Liang	D13/120
D462,052 S	*	8/2002	Liang	D13/120

1 Claim, 3 Drawing Sheets



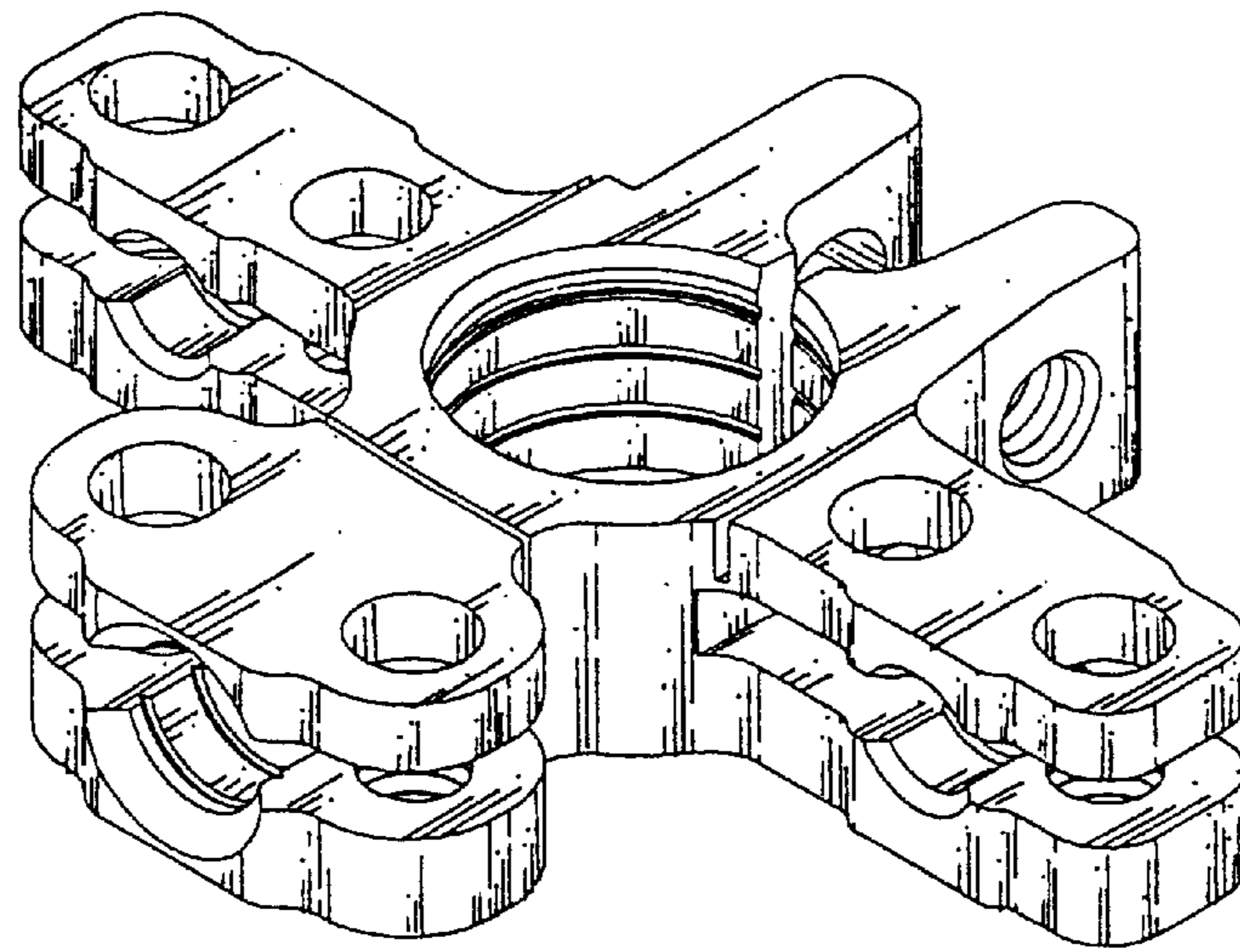


FIG. 1

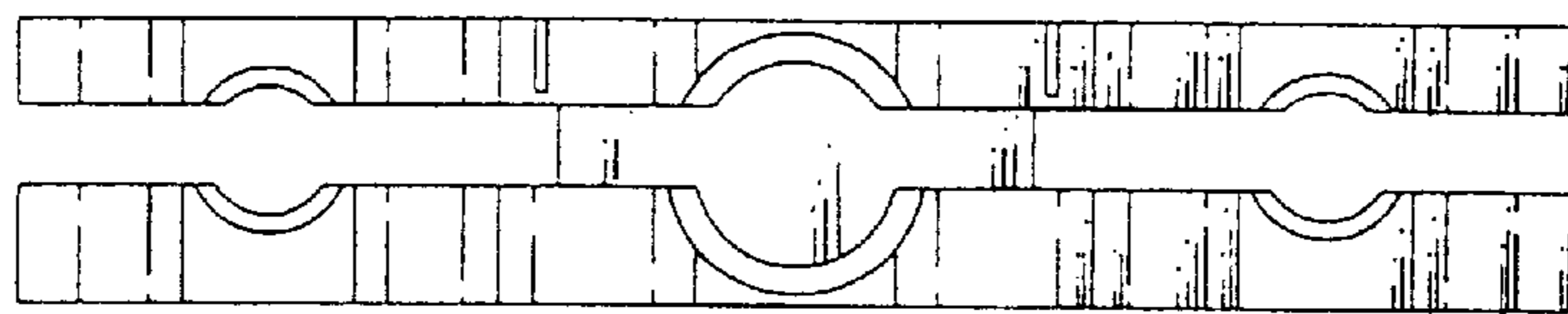


FIG. 2

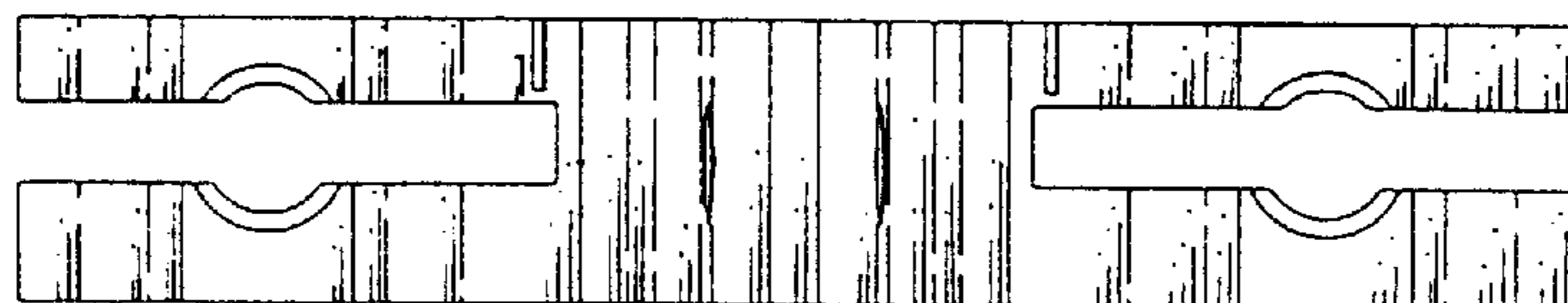


FIG. 3

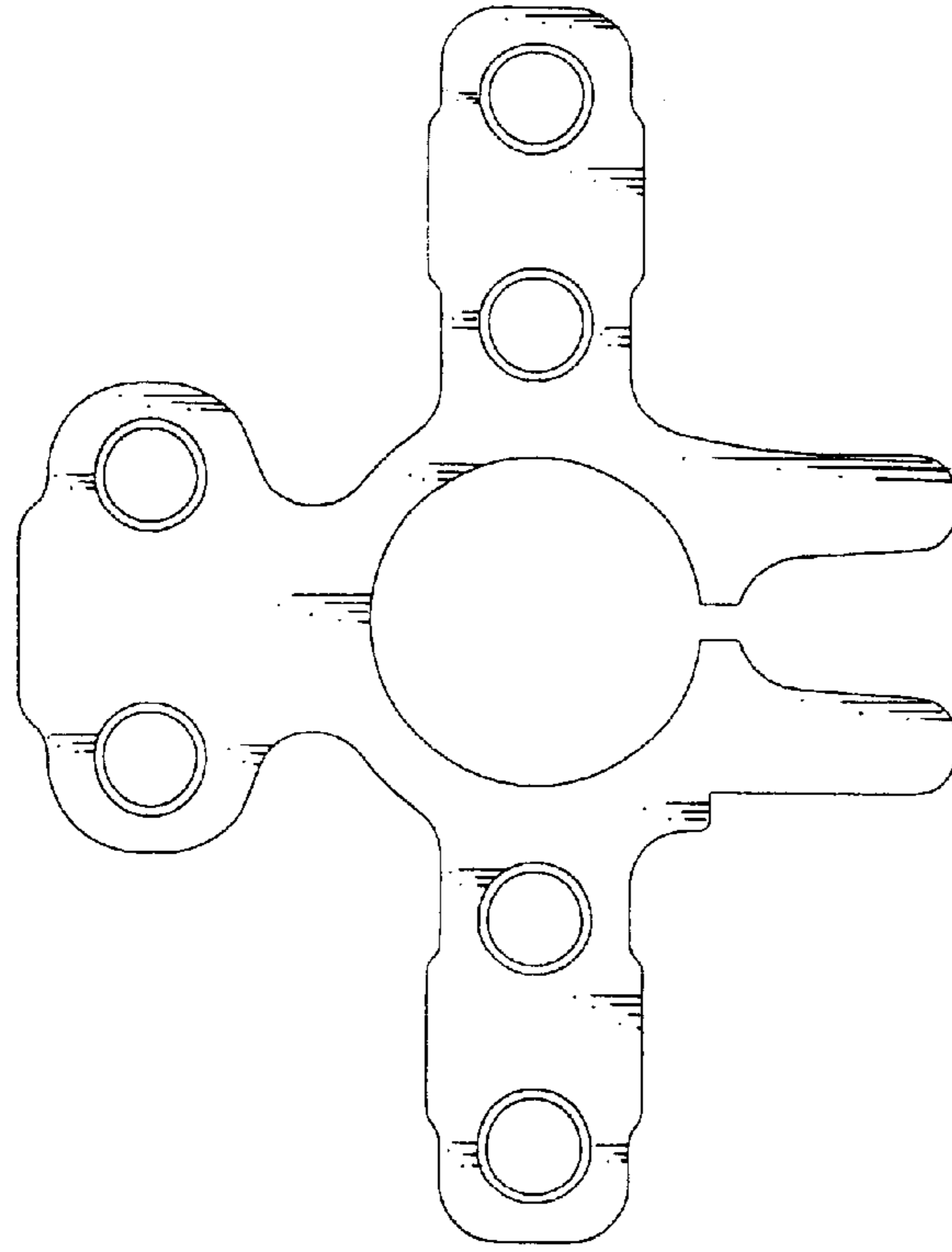


FIG. 4

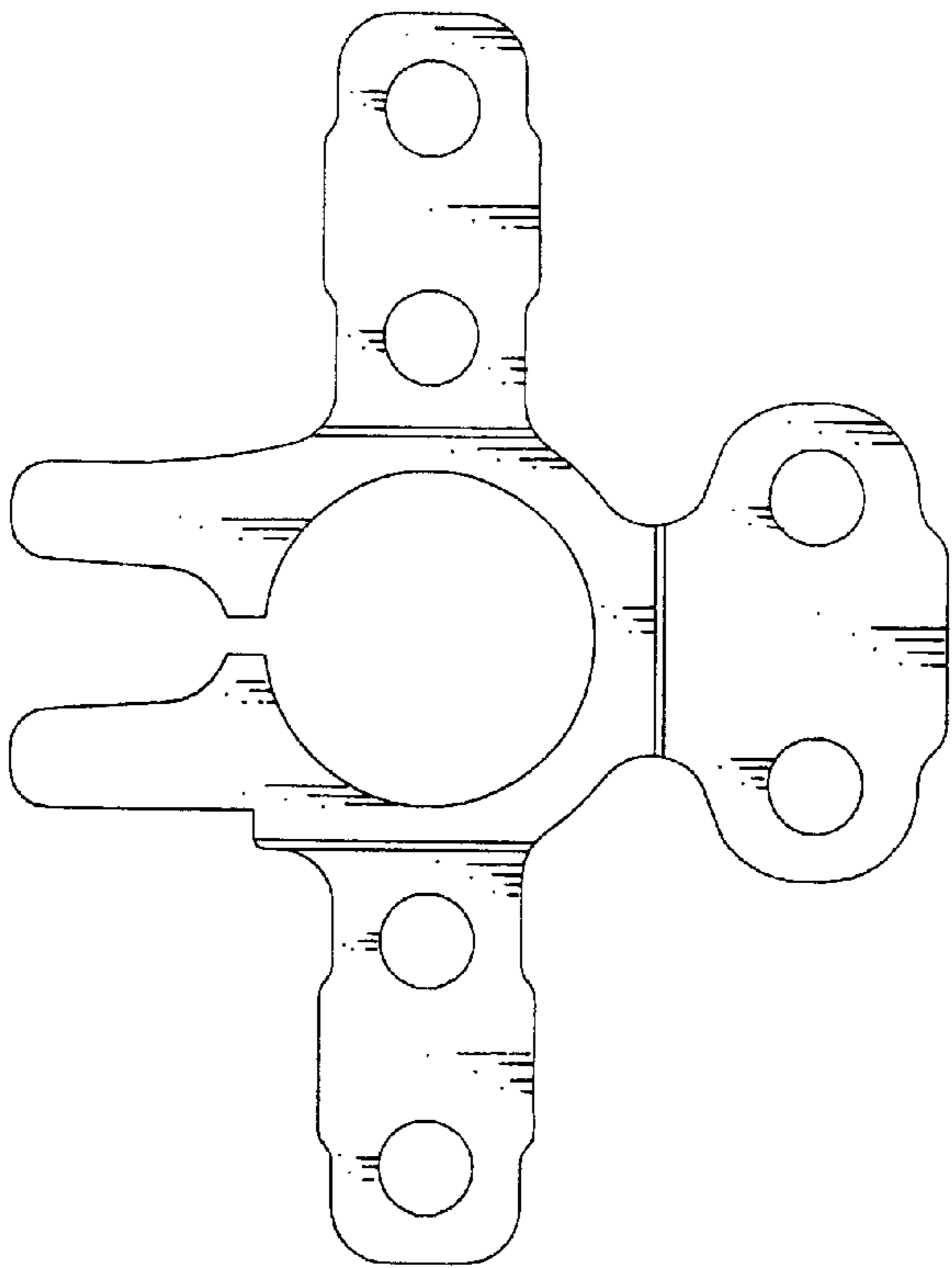


FIG. 5

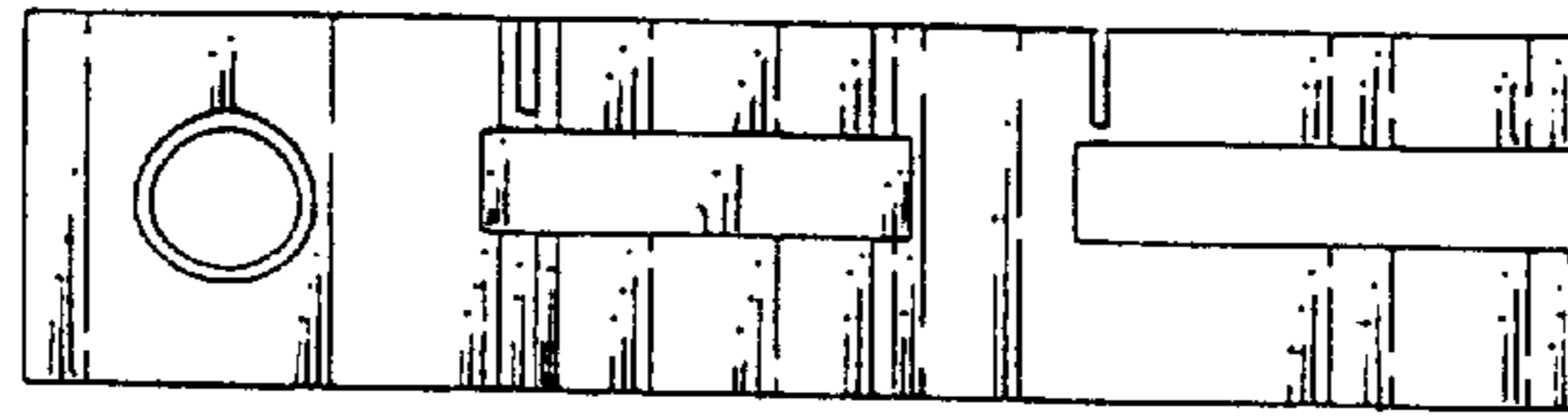


FIG. 6

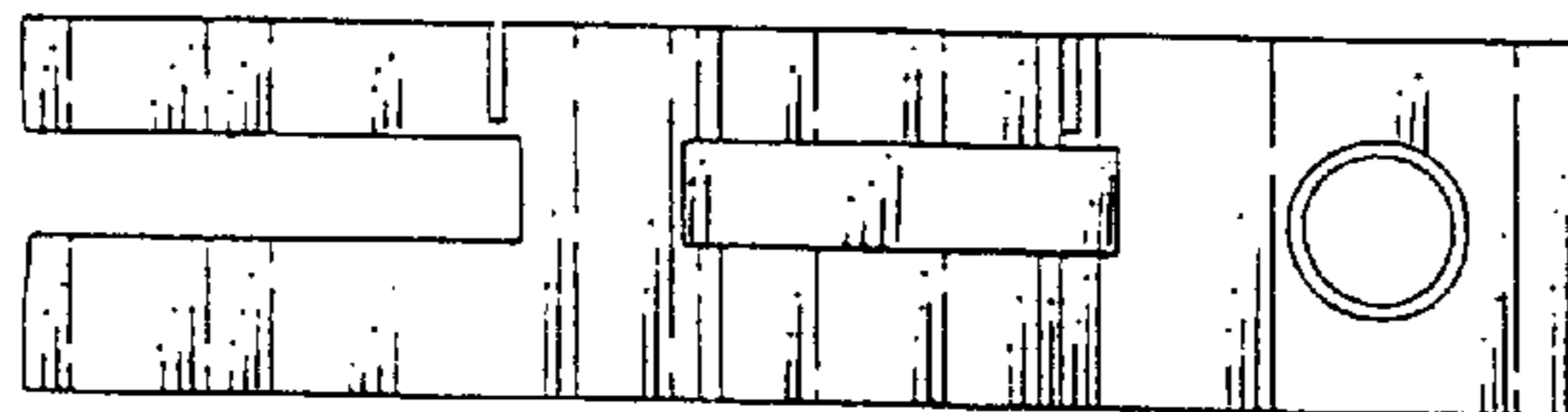


FIG. 7

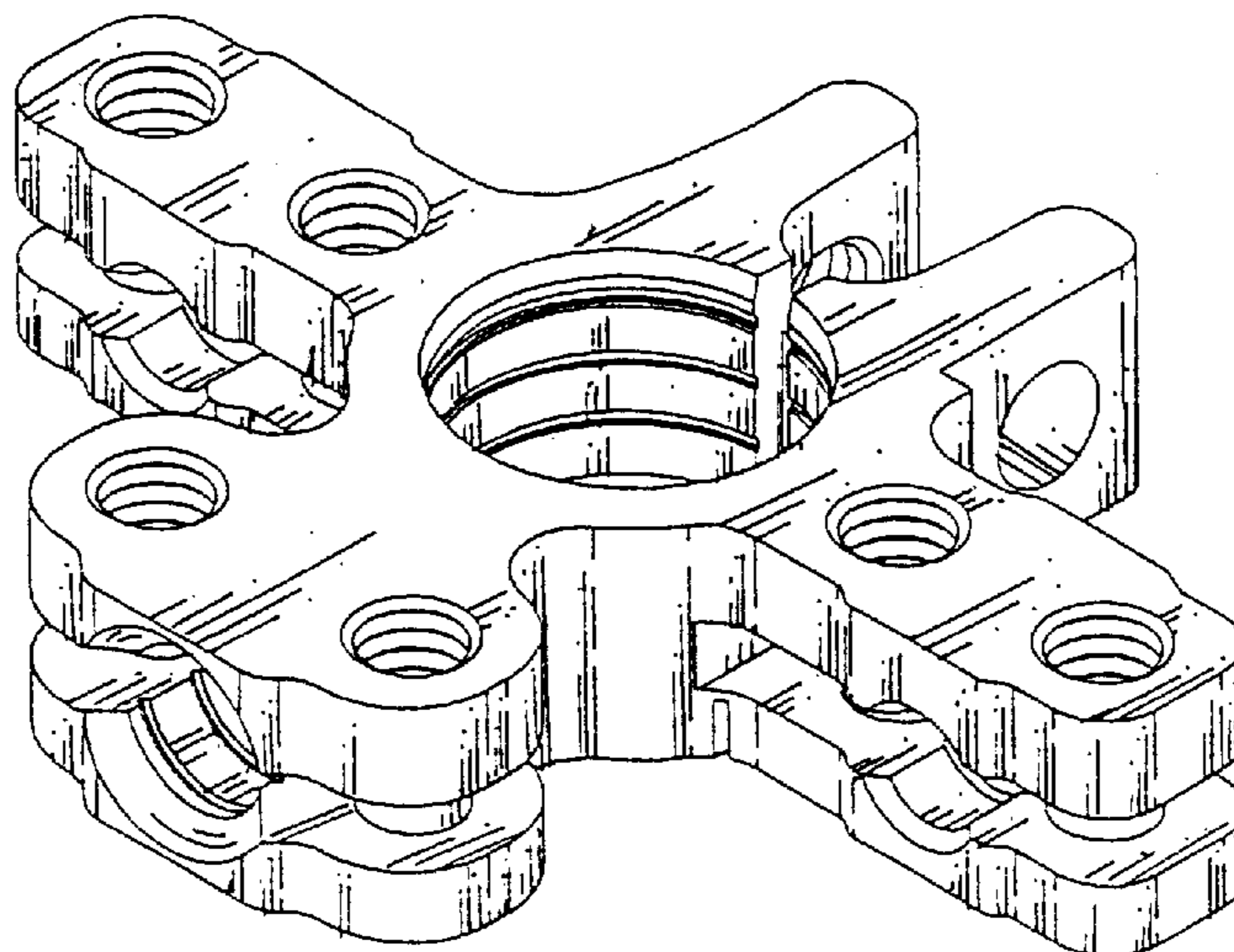


FIG. 8