



US00D478043S

(12) **United States Design Patent**
Iwatate et al.

(10) **Patent No.:** **US D478,043 S**

(45) **Date of Patent:** **** Aug. 5, 2003**

(54) **ENGINE GENERATOR**

(75) Inventors: **Shigeyoshi Iwatate**, Shizuoka-ken (JP);
Ikuo Namiki, Shizuoka-ken (JP);
Naoto Mazuka, Shizuoka-ken (JP)

(73) Assignee: **Yamaha Hatsudoki Kabushiki Kaisha**
(JP)

(**) Term: **14 Years**

(21) Appl. No.: **29/166,882**

(22) Filed: **Sep. 3, 2002**

(30) **Foreign Application Priority Data**

Mar. 29, 2002 (JP) 2002-008454

(51) **LOC (7) Cl.** **13-01**

(52) **U.S. Cl.** **D13/116**

(58) **Field of Search** D13/116; 123/2,
123/198 E; 290/1 B

(56) **References Cited**

U.S. PATENT DOCUMENTS

4,595,841 A * 6/1986 Yaguchi 290/1 A

4,721,070 A * 1/1988 Tanaka 123/2
D309,593 S * 7/1990 Higuchi D13/116
D437,581 S * 2/2001 Aruga D13/116

* cited by examiner

Primary Examiner—Holly Baynham

(74) *Attorney, Agent, or Firm*—Ostrolenk, Faber, Gerb &
Soffen, LLP

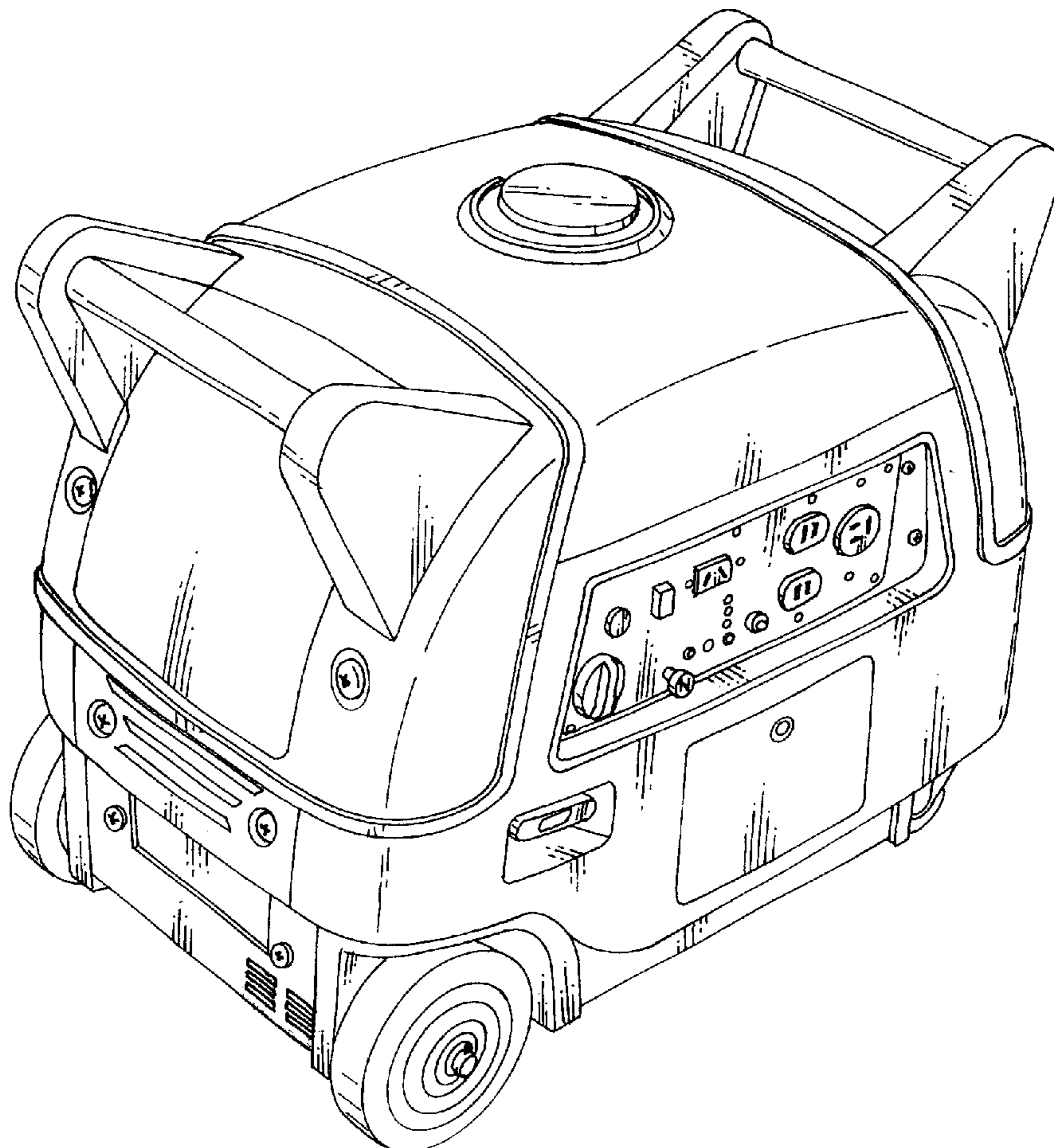
(57) **CLAIM**

The ornamental design for an engine generator, as shown and described.

DESCRIPTION

FIG. 1 is a top rear right side perspective view of an engine generator showing new design;
FIG. 2 is a right side view thereof;
FIG. 3 is a left side view thereof;
FIG. 4 is a front view thereof;
FIG. 5 is a rear view thereof;
FIG. 6 is a top view thereof; and,
FIG. 7 is a bottom view thereof.

1 Claim, 4 Drawing Sheets



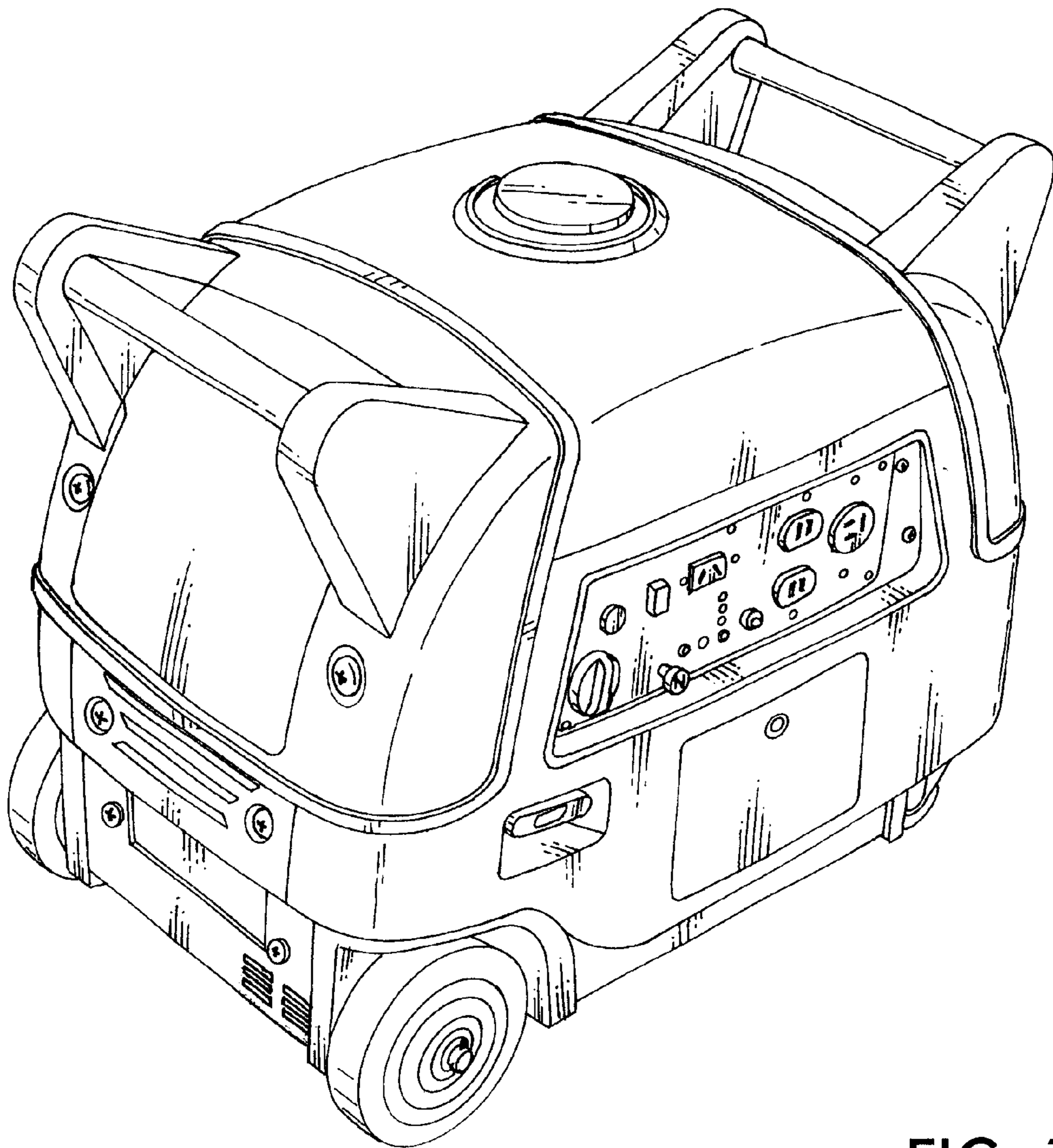


FIG. 1

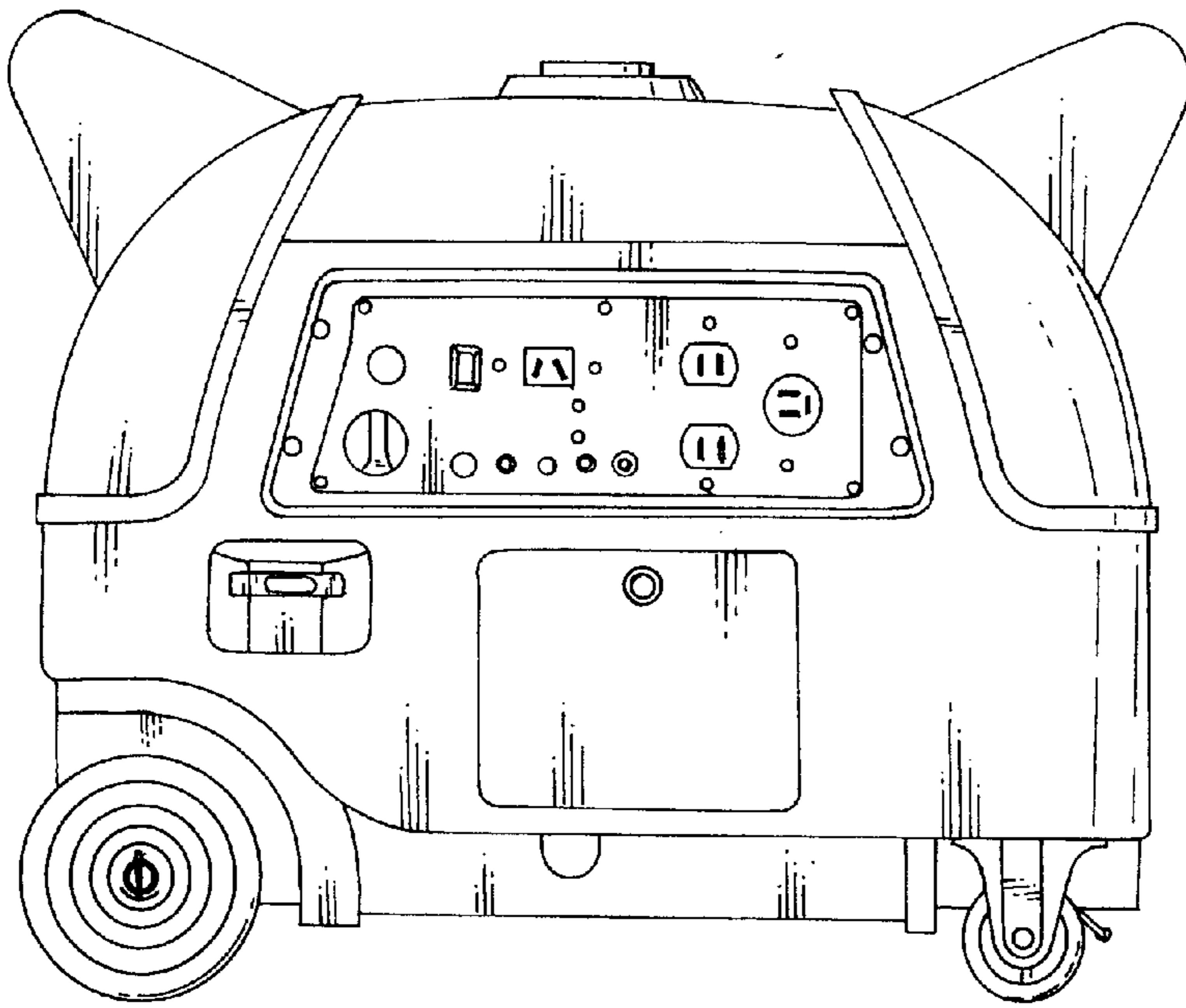


FIG. 2

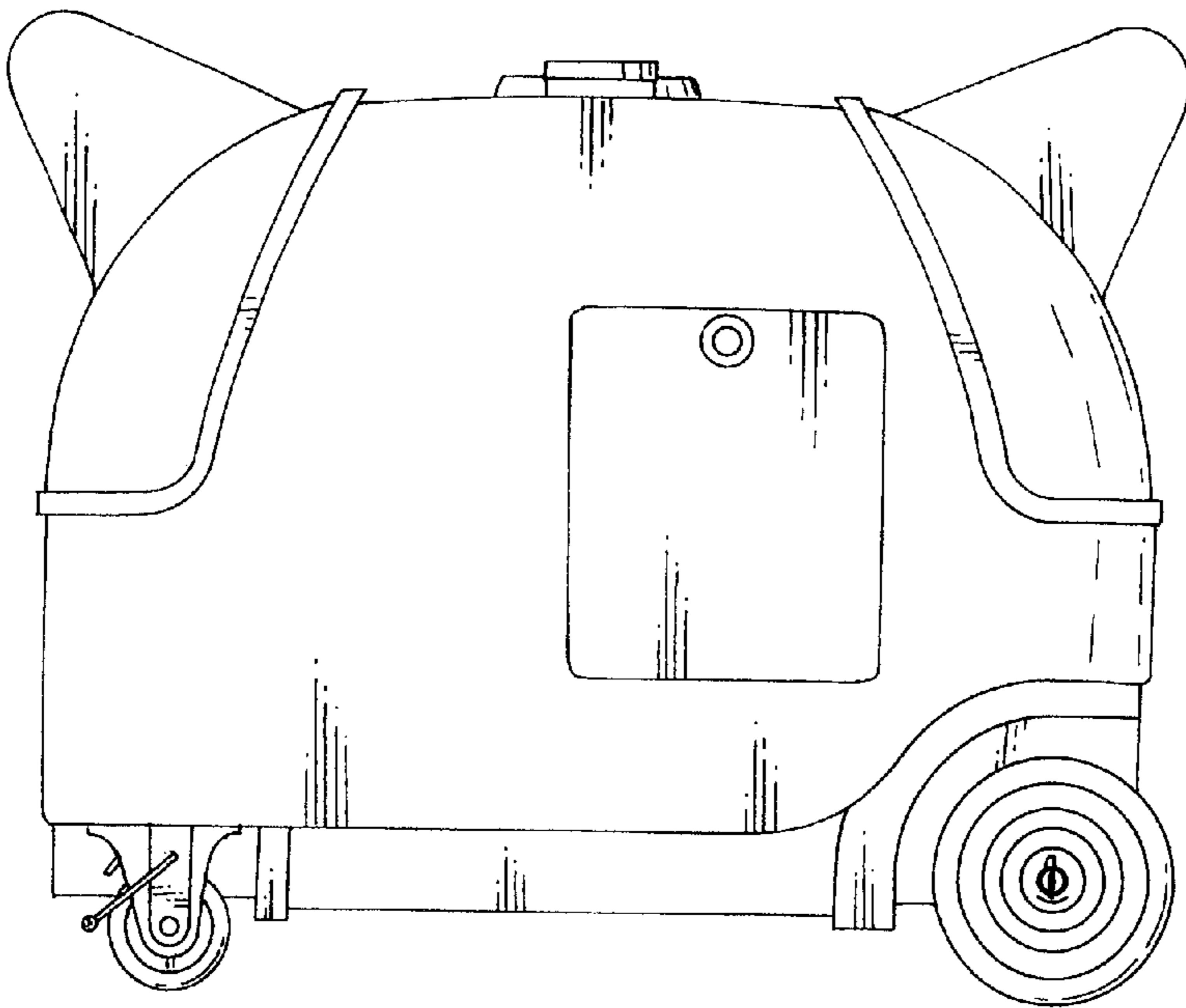


FIG. 3

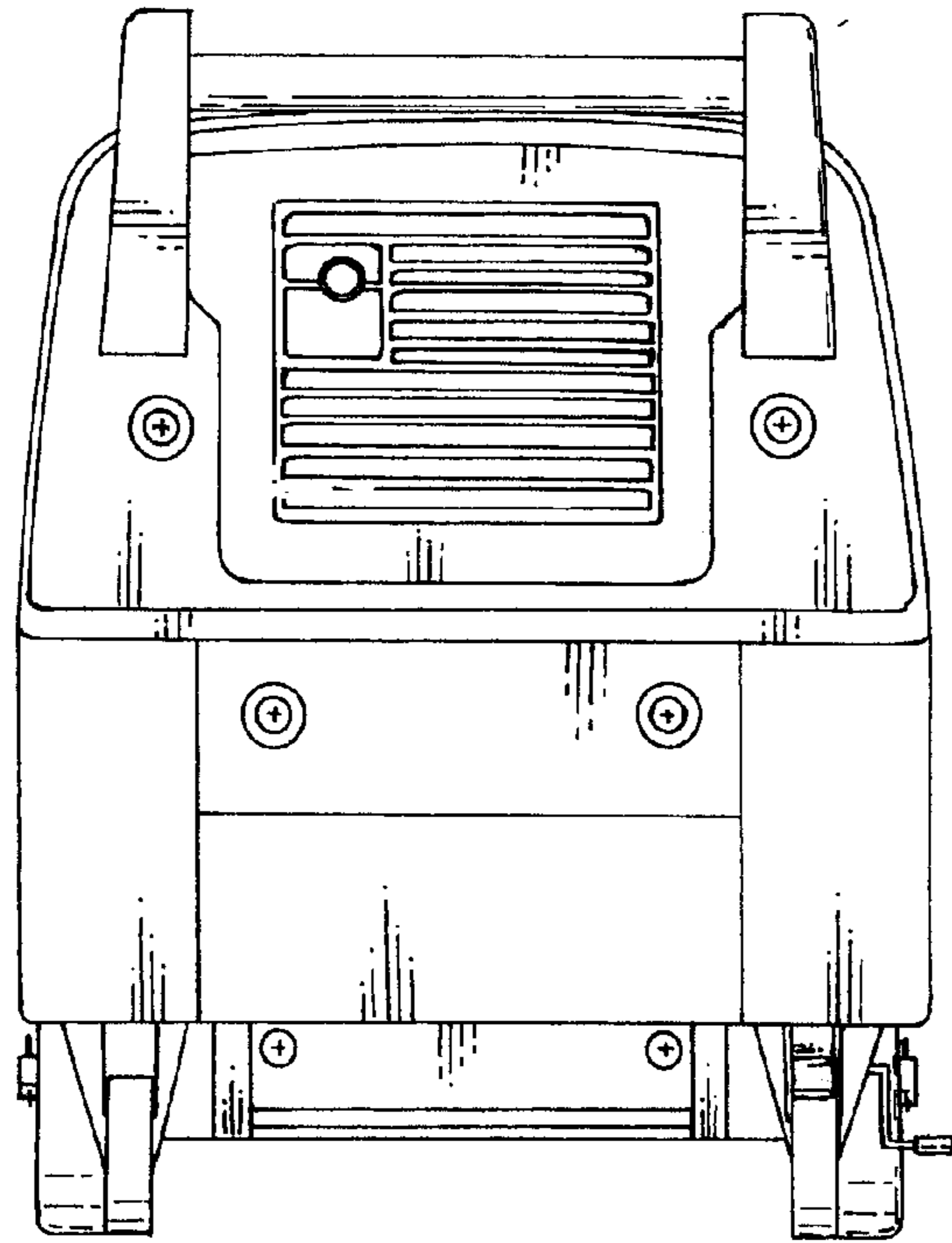


FIG. 4

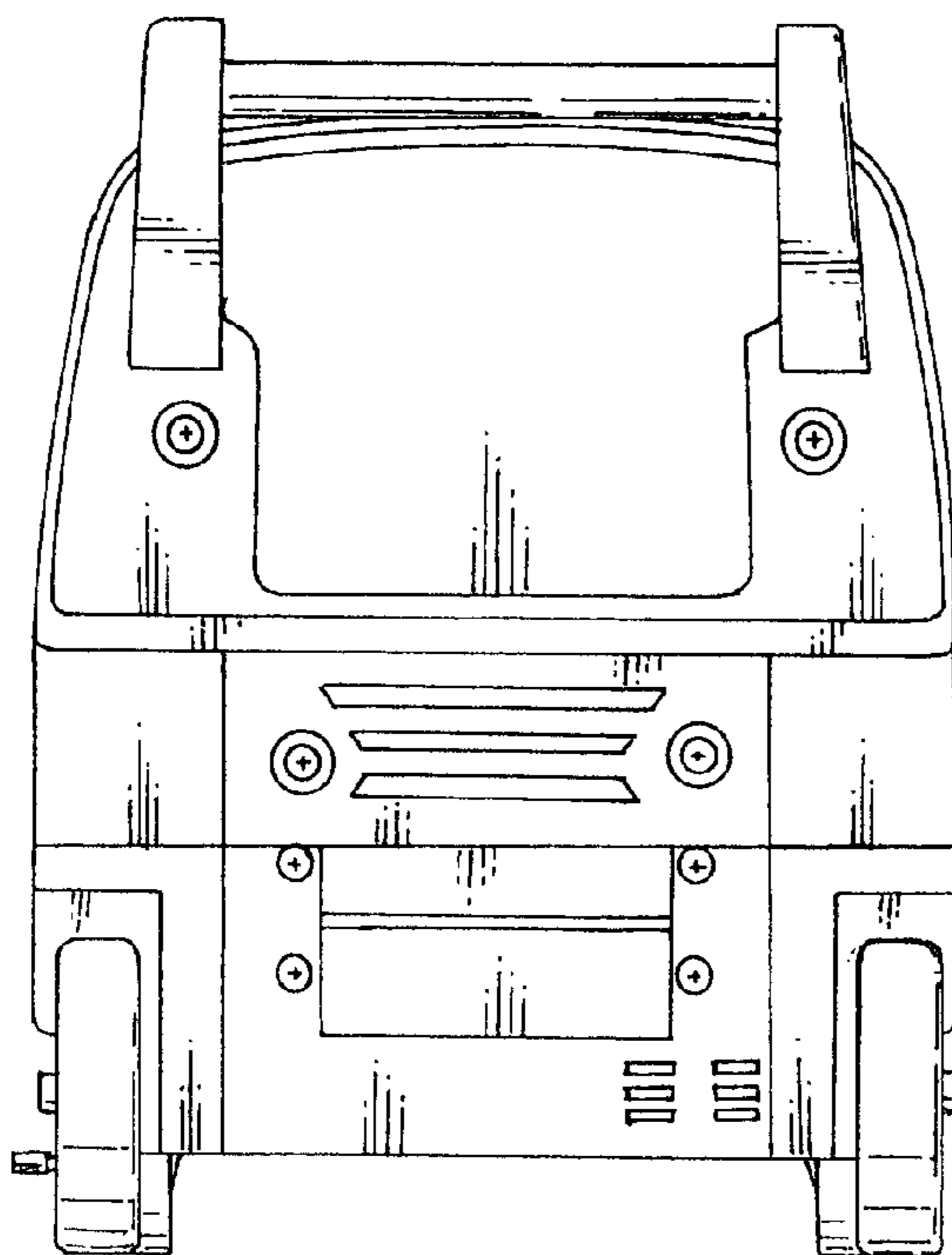


FIG. 5

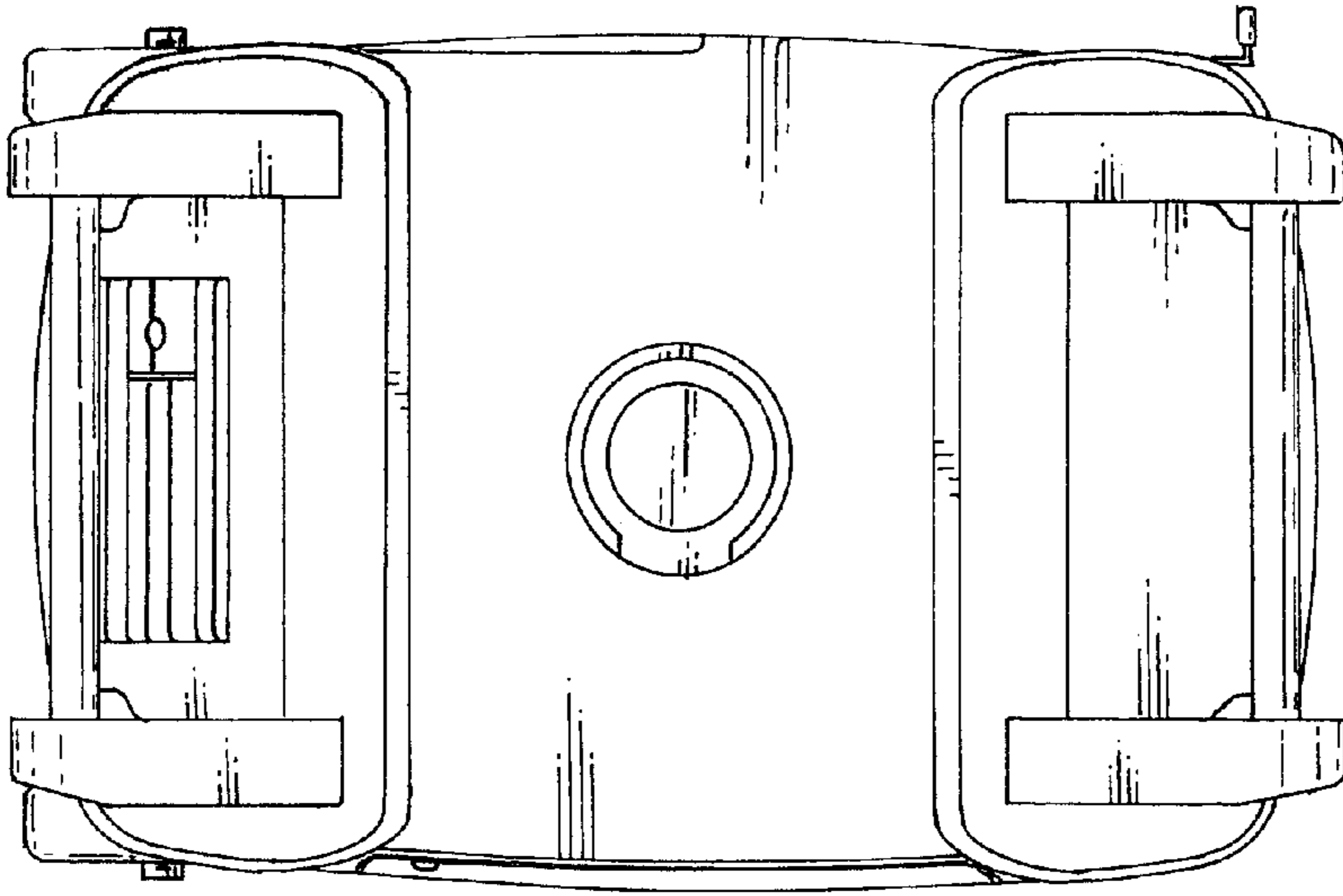


FIG. 6

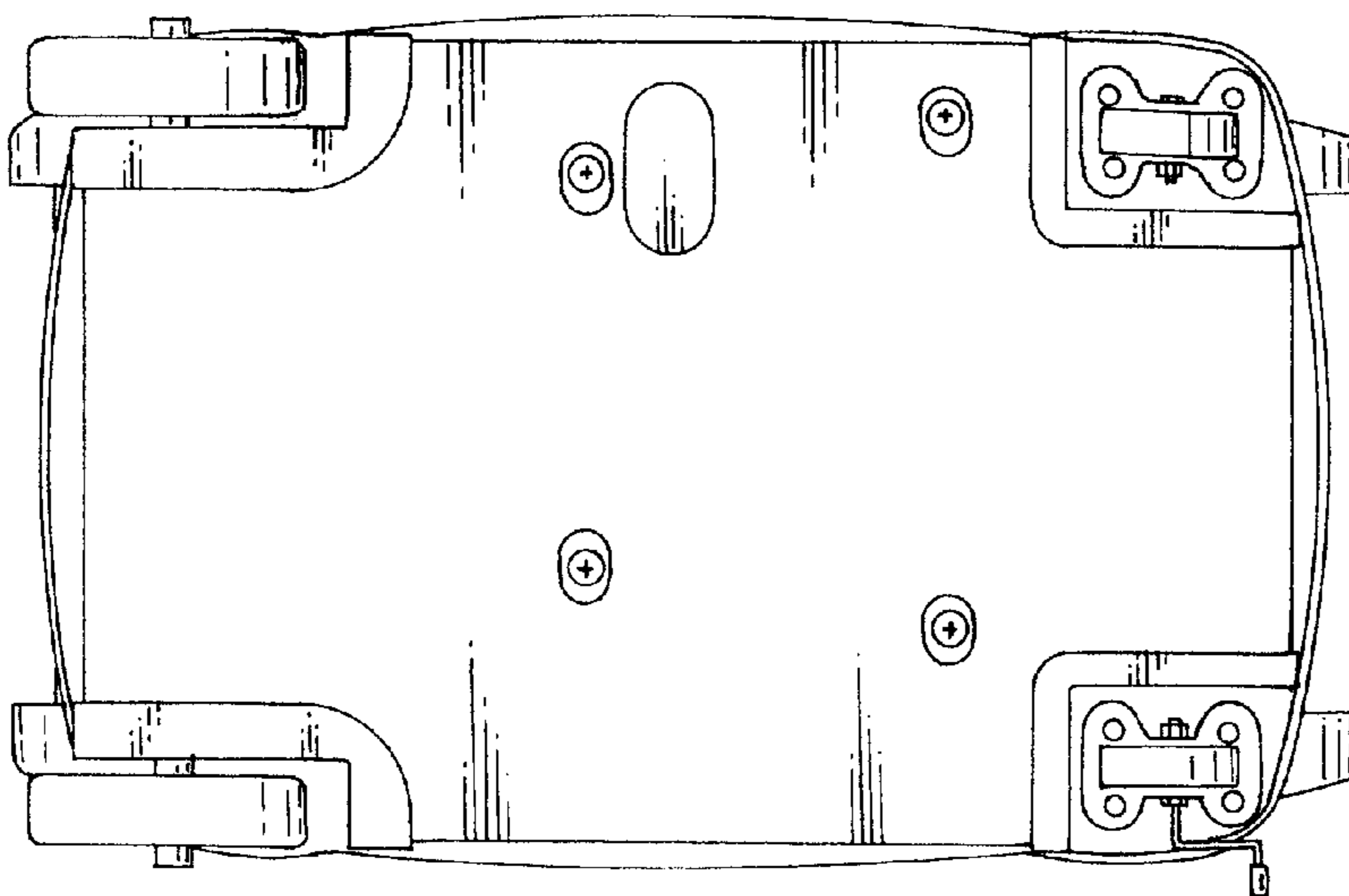


FIG. 7