



US00D478025S

(12) **United States Design Patent**  
**Cartwright**

(10) **Patent No.:** **US D478,025 S**

(45) **Date of Patent:** **\*\* Aug. 5, 2003**

(54) **TRACKING VEHICLE CAGE AND SHELL**

(75) Inventor: **Richard D. Cartwright**, Beaverton, OR (US)

(73) Assignee: **Ironwood Designs LLC**, Tigard, OR (US)

(\*\*) Term: **14 Years**

(21) Appl. No.: **29/155,956**

(22) Filed: **Feb. 19, 2002**

(51) **LOC (7) Cl.** ..... **12-11**

(52) **U.S. Cl.** ..... **D12/107**

(58) **Field of Search** ..... D12/1, 3, 4, 114, D12/400, 401-403, 107, 222; 296/177, 191, 193, 197, 200, 35.2; 180/9.1, 9.21, 9.62; 280/756; D15/23, 24, 28, 33

(56) **References Cited**

**U.S. PATENT DOCUMENTS**

4,635,740 A	1/1987	Krueger et al.	
D298,018 S	10/1988	Cartwright	
5,174,622 A	* 12/1992	Gutta	280/756 X
D342,701 S	* 12/1993	Murata et al.	D12/107
5,330,019 A	7/1994	Cartwright	
5,950,748 A	* 9/1999	Matsumoto et al.	180/1.9 X

\* cited by examiner

*Primary Examiner*—Alan P. Douglas

*Assistant Examiner*—Linda Brooks

(74) *Attorney, Agent, or Firm*—Karen Dana Oster

(57) **CLAIM**

The ornamental design for a tracking vehicle cage and shell, as shown and described.

**DESCRIPTION**

FIG. 1 is a perspective view of a tracking vehicle cage and shell showing my new design.

FIG. 2 is a front end view of the tracking vehicle cage and shell.

FIG. 3 is a back end view of the tracking vehicle cage and shell.

FIG. 4 is a top view of the tracking vehicle cage and shell.

FIG. 5 is a first side view of the tracking vehicle cage and shell, the second side view being a mirror image thereof.

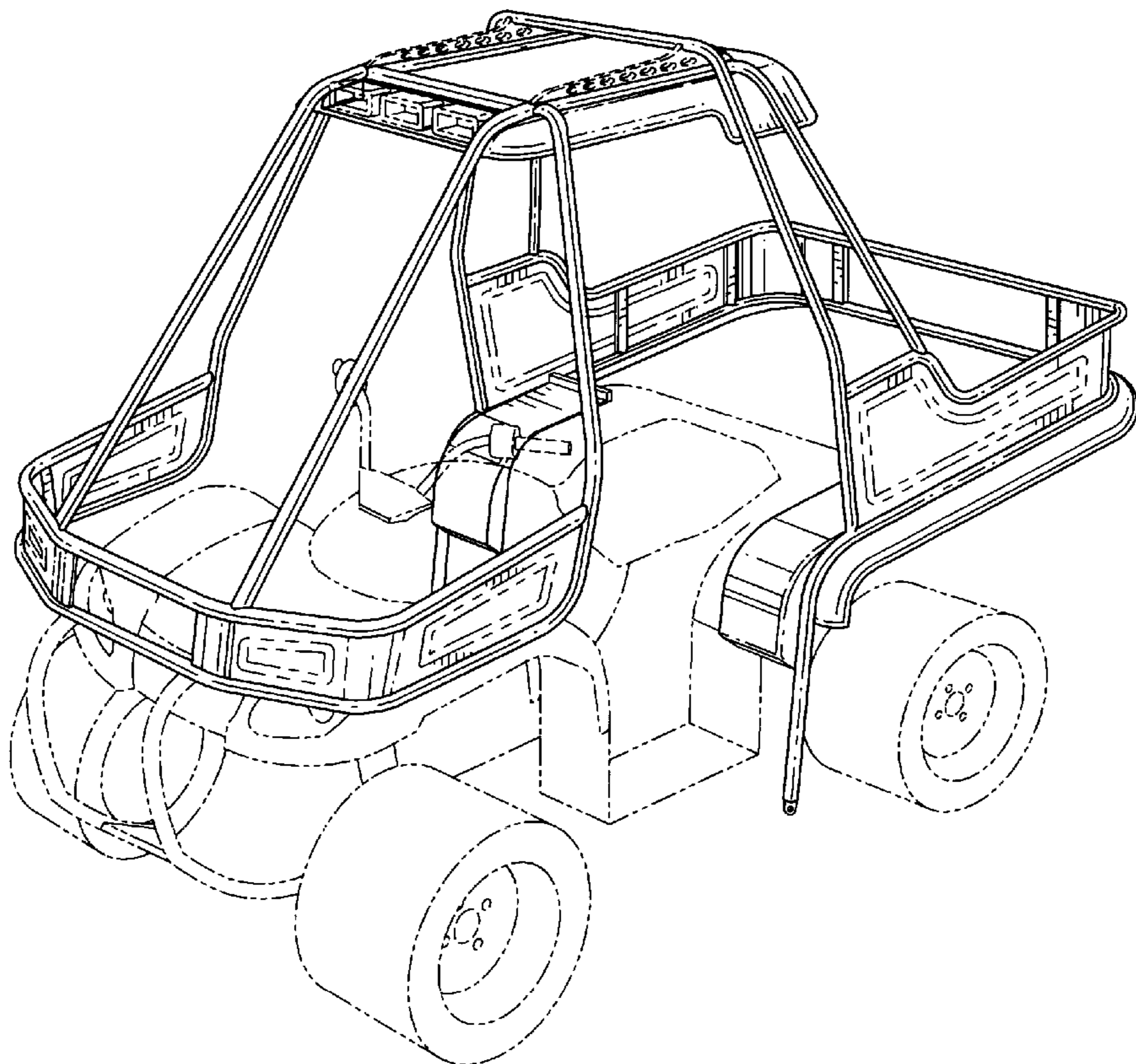
FIG. 6 is a perspective view of the tracking vehicle cage alone, for clarity; and,

FIG. 7 is a perspective view of the tracking vehicle shell alone, for clarity.

It is to be understood that the broken line depictions shown through the drawings of the exemplary tracking vehicle, surface design, and accessories are included for illustrative purposes and form no part of the claimed design.

It is to be further understood that the bottom surfaces of the tracking vehicle cage and shell form no part of the claimed design.

**1 Claim, 5 Drawing Sheets**



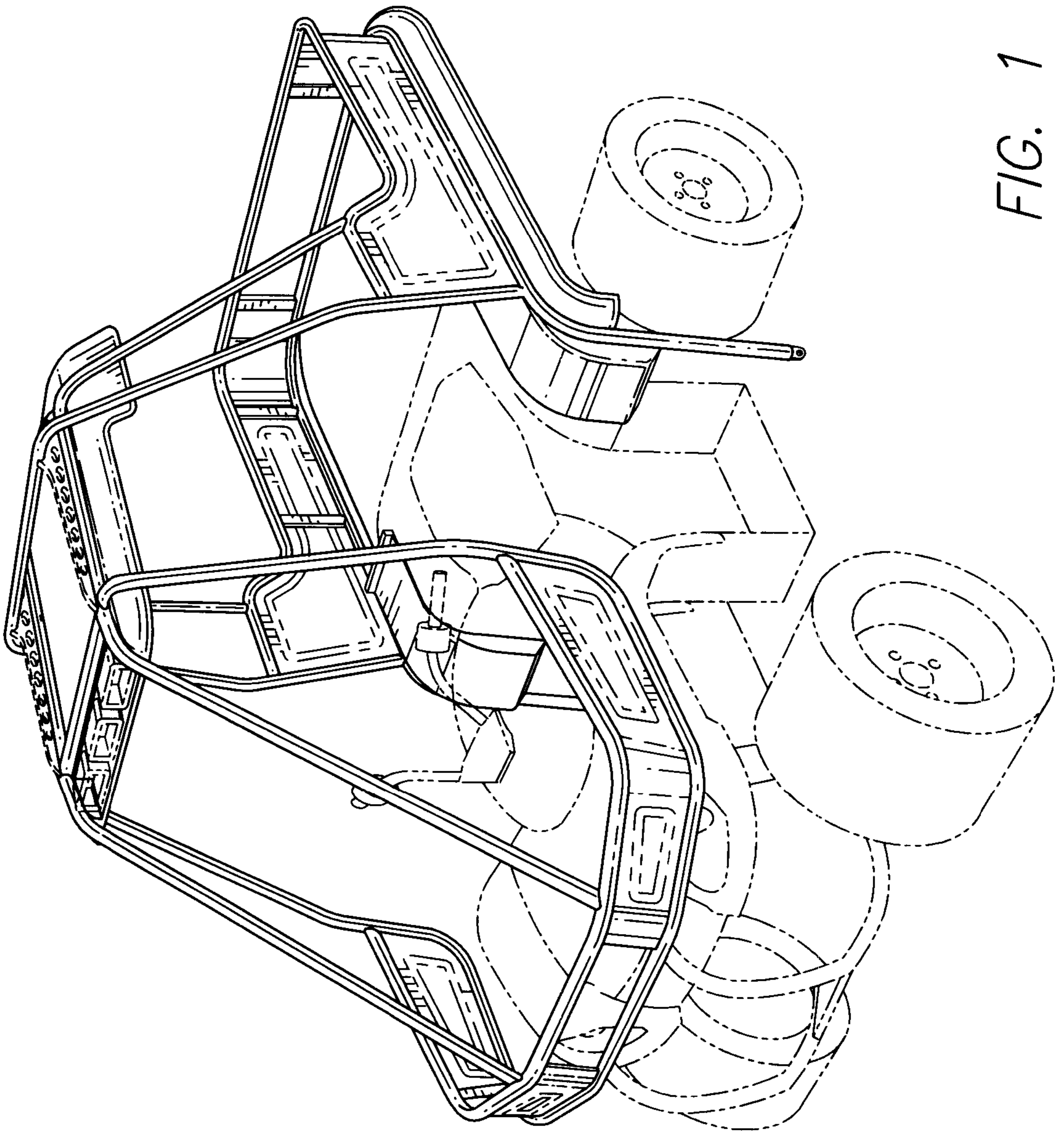


FIG. 1

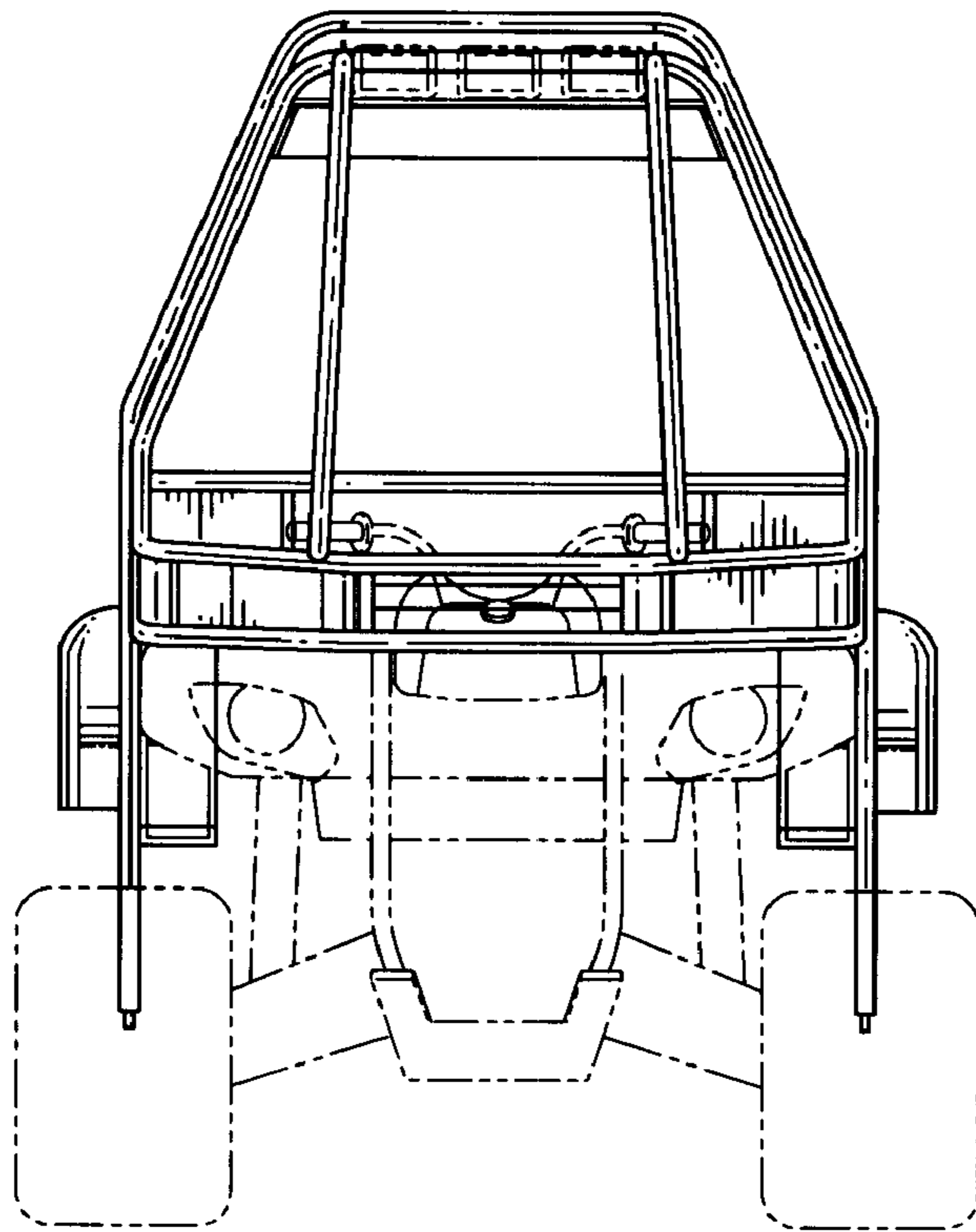


FIG. 2

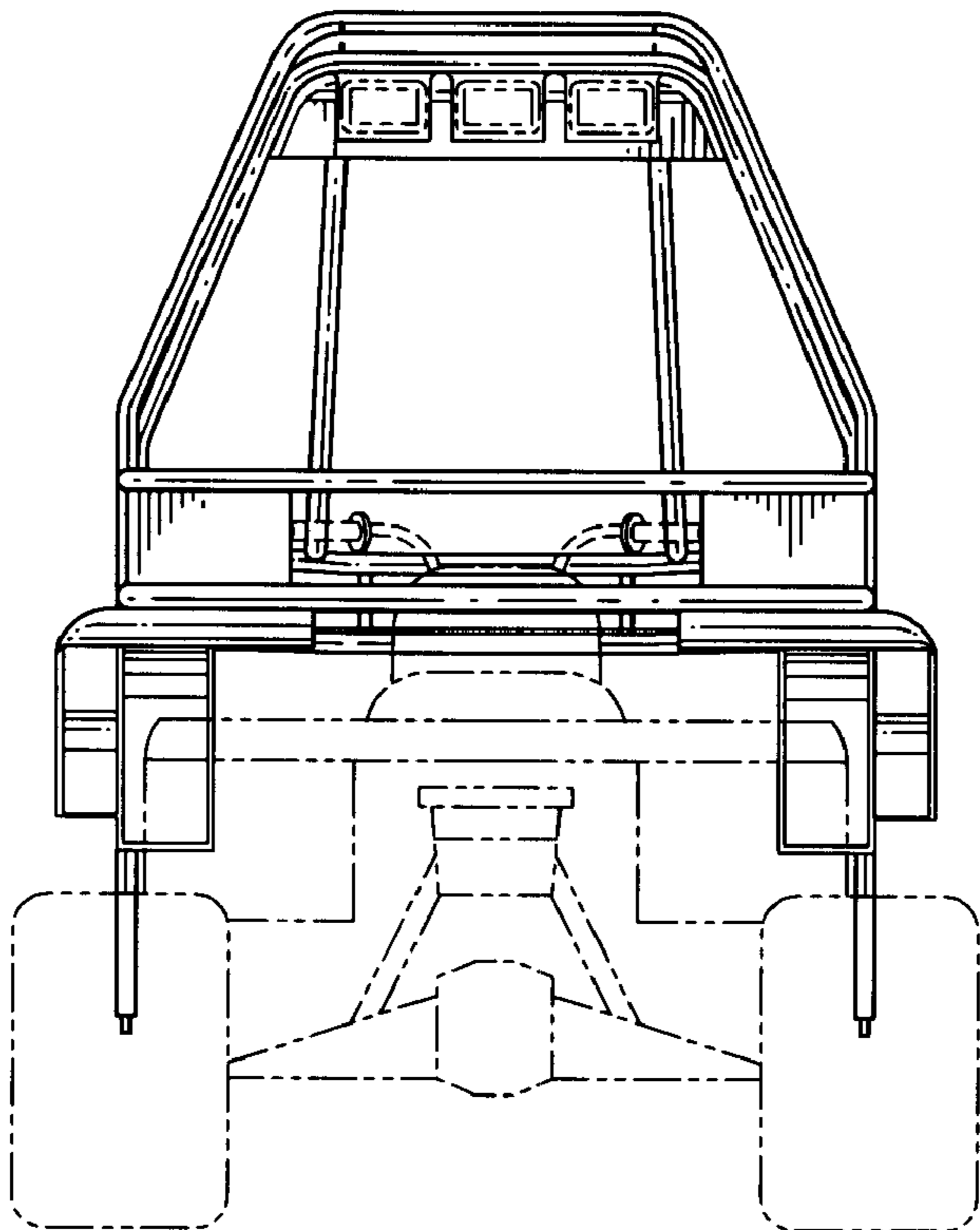


FIG. 3



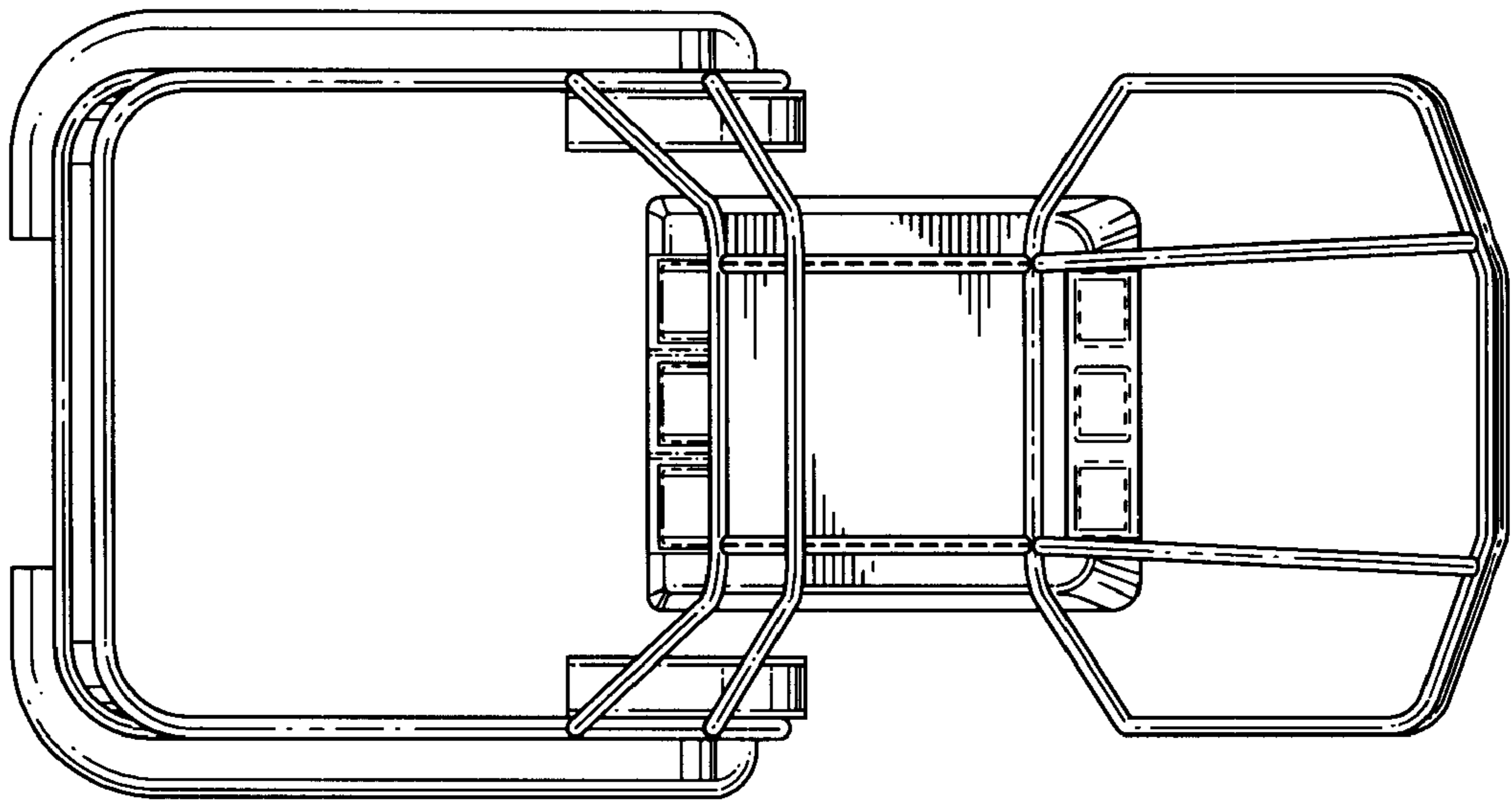


FIG. 4

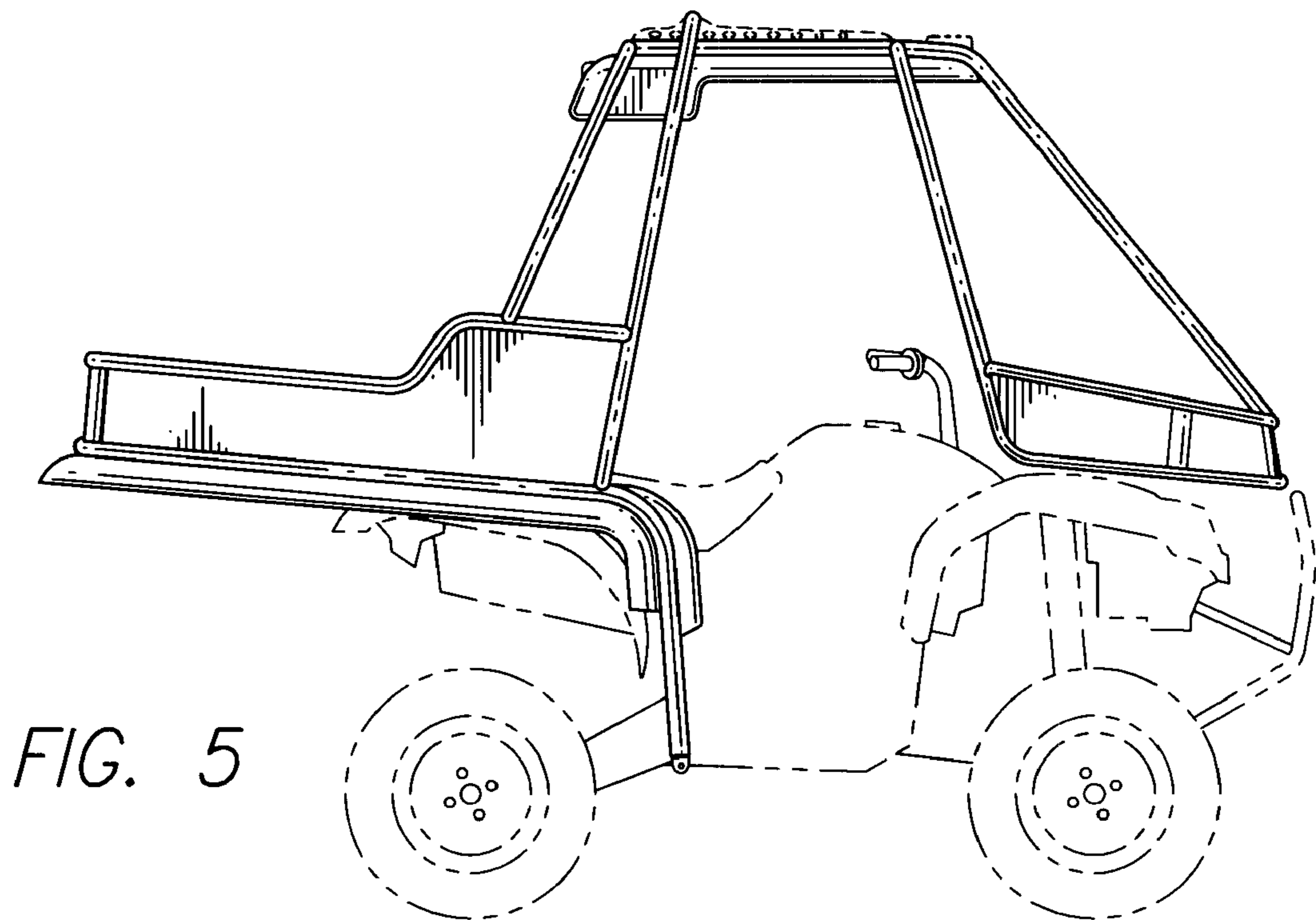


FIG. 5

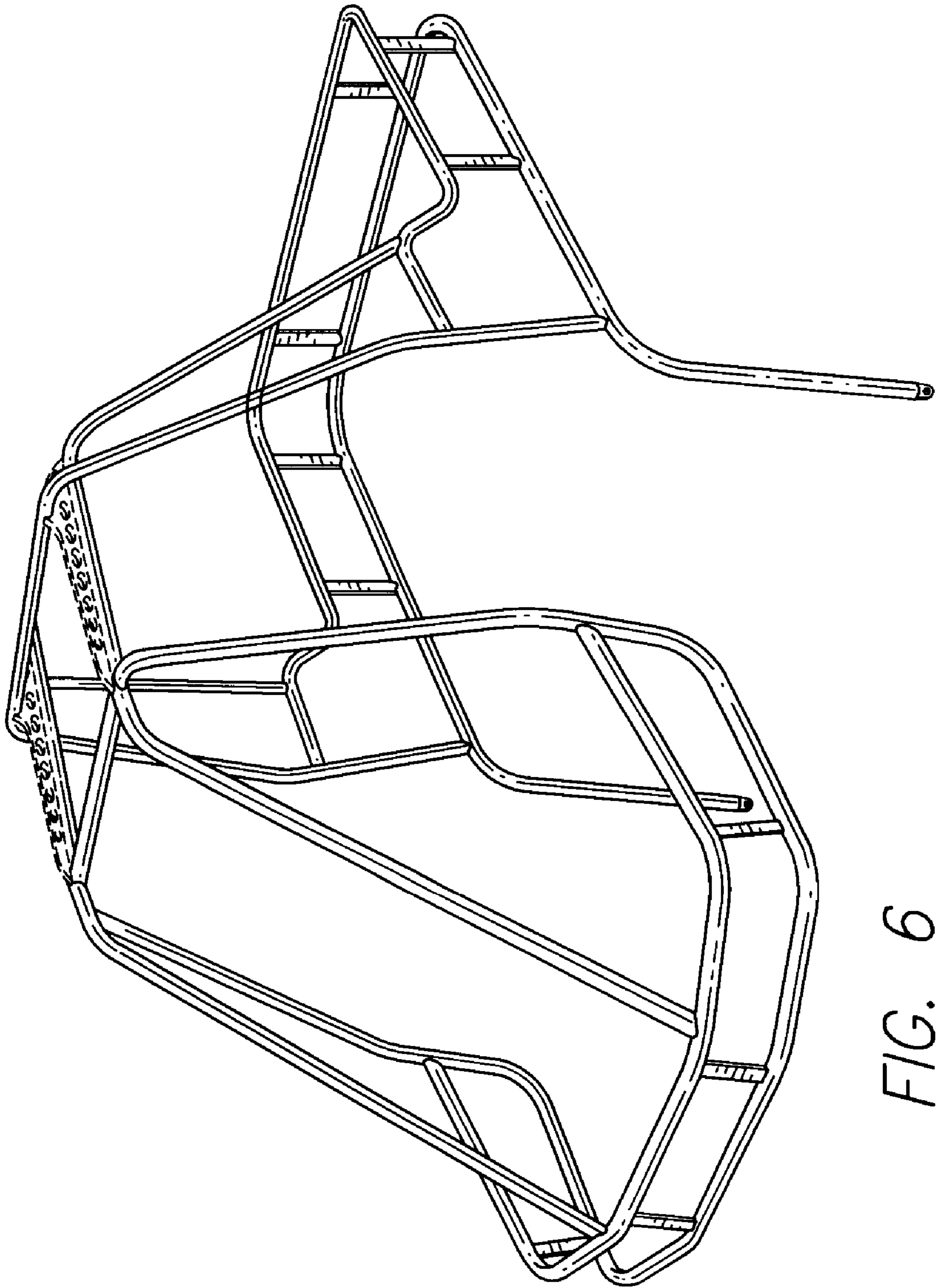


FIG. 6

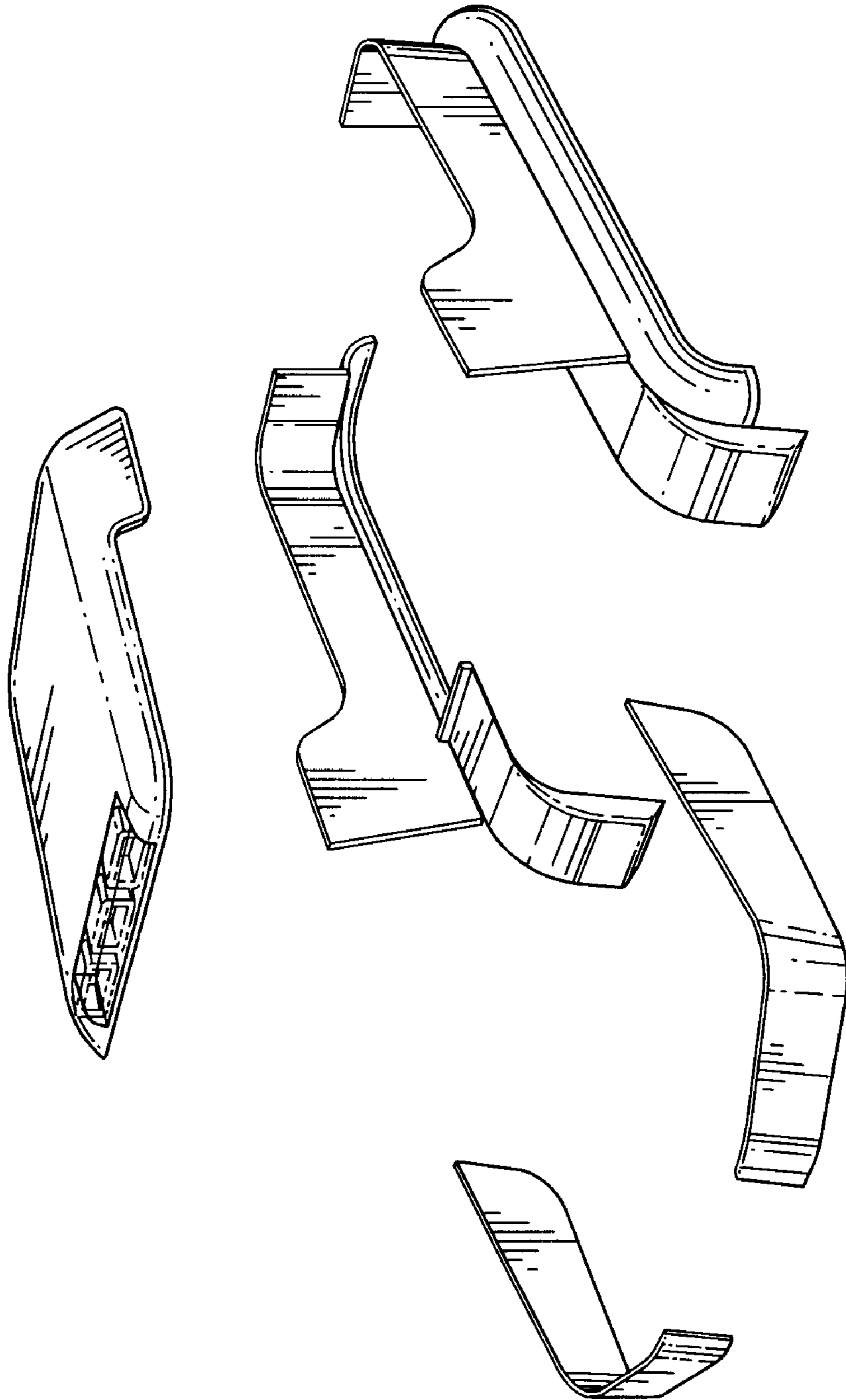


FIG. 7