



US00D478024S

(12) **United States Design Patent**  
**Nordstrom**

(10) **Patent No.:** **US D478,024 S**

(45) **Date of Patent:** **\*\* Aug. 5, 2003**

(54) **ZIPPER LOCKING DEVICE**

(75) Inventor: **Mark B. Nordstrom**, Brentwood, TN  
(US)

(73) Assignee: **TRG Accessories, LLC**, St. Louis, MO  
(US)

(\*\*) Term: **14 Years**

(21) Appl. No.: **29/165,315**

(22) Filed: **Aug. 8, 2002**

(51) **LOC (7) Cl.** ..... **02-07**

(52) **U.S. Cl.** ..... **D11/221**

(58) **Field of Search** ..... D11/200, 221;  
70/68, 312; 24/386, 387, 388, 436; D8/339

- 5,031,944 A \* 7/1991 Keyaki
- 5,065,602 A 11/1991 Williams et al.
- 5,081,855 A 1/1992 Terada et al.
- 5,103,657 A 4/1992 Horita et al.
- 5,253,395 A \* 10/1993 Yano ..... 24/387
- 5,524,882 A \* 6/1996 Wagner
- 5,681,115 A 10/1997 Diederich et al.
- 6,004,034 A \* 12/1999 Salam
- 6,189,249 B1 \* 2/2001 Hughes

\* cited by examiner

*Primary Examiner*—Ralf Seifert

(74) *Attorney, Agent, or Firm*—Lewis, Rice & Fingersh,  
LC

(57) **CLAIM**

The ornamental design of a zipper locking device, as shown and described.

(56) **References Cited**

**U.S. PATENT DOCUMENTS**

1,759,284 A	5/1930	Schmidt	
1,819,349 A	8/1931	Walrath	
1,845,088 A	2/1932	Hunerhoff	
1,889,860 A	12/1932	Halpin	
1,950,415 A	3/1934	Rifkin	
2,112,795 A	3/1938	Strayer	
2,115,993 A	5/1938	Kranhold	
2,310,627 A	2/1943	Greene	
2,569,076 A	9/1951	Schaye	
2,578,035 A	* 12/1951	Bashover	70/68
2,621,387 A	* 12/1952	Williams	24/386
2,701,401 A	* 2/1955	Dorman	D11/221
2,701,903 A	* 2/1955	Williams	24/386
3,865,166 A	2/1975	Pedro	
3,973,419 A	8/1976	Atkinson	
4,019,353 A	4/1977	Christopher	
4,123,829 A	11/1978	Takabatake	
4,213,314 A	7/1980	Trader	
D274,480 S	* 7/1984	Kanzaka	D11/221
4,506,769 A	3/1985	Franco et al.	
5,013,162 A	5/1991	Williams et al.	

**DESCRIPTION**

FIG. 1 provides a perspective view of the zipper locking device appearing within its usual operational environment associated with other zipper structure.

FIG. 2 provides a perspective view of the zipper locking device.

FIG. 3 provides a front elevational view of the zipper locking device.

FIG. 4 provides a rear elevational view of the zipper locking device.

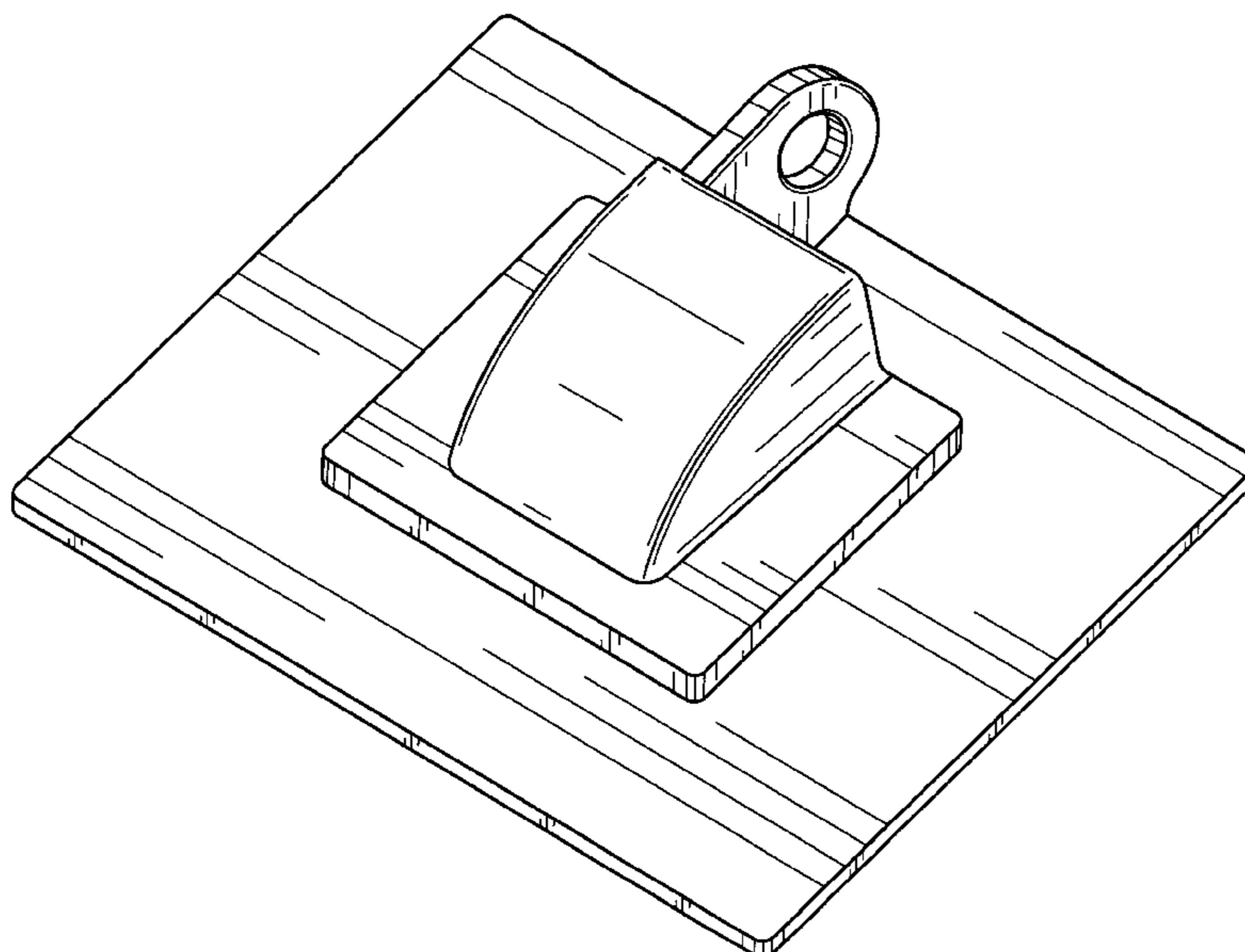
FIG. 5 provides a right side elevational view of the zipper locking device.

FIG. 6 provides a top plan view of the zipper locking device; and,

FIG. 7 provides a bottom plan view of the zipper locking device.

The broken line showing of the zipper structure is for illustrative purposes only and forms no part of the claimed design.

**1 Claim, 5 Drawing Sheets**



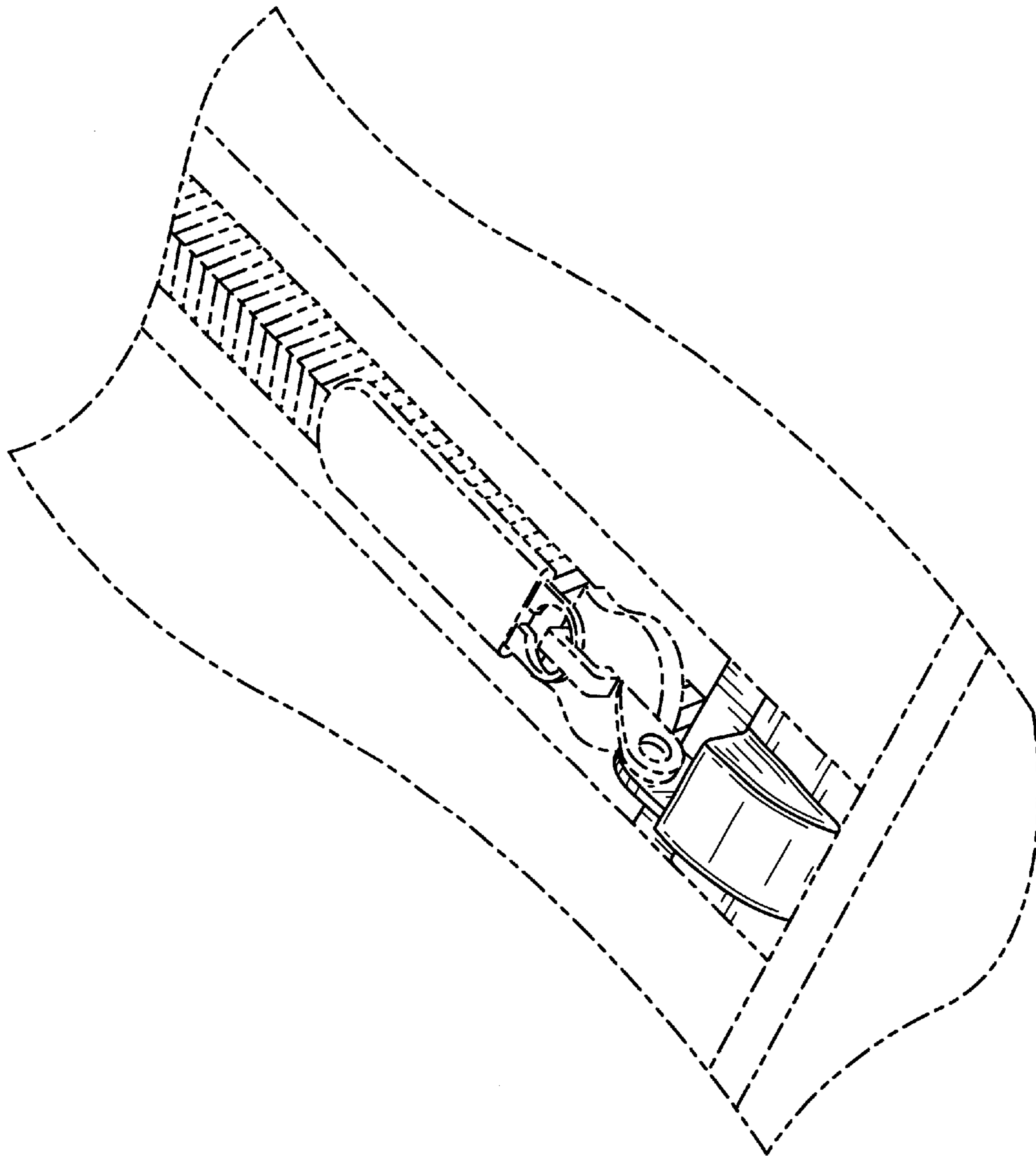


FIG. 1

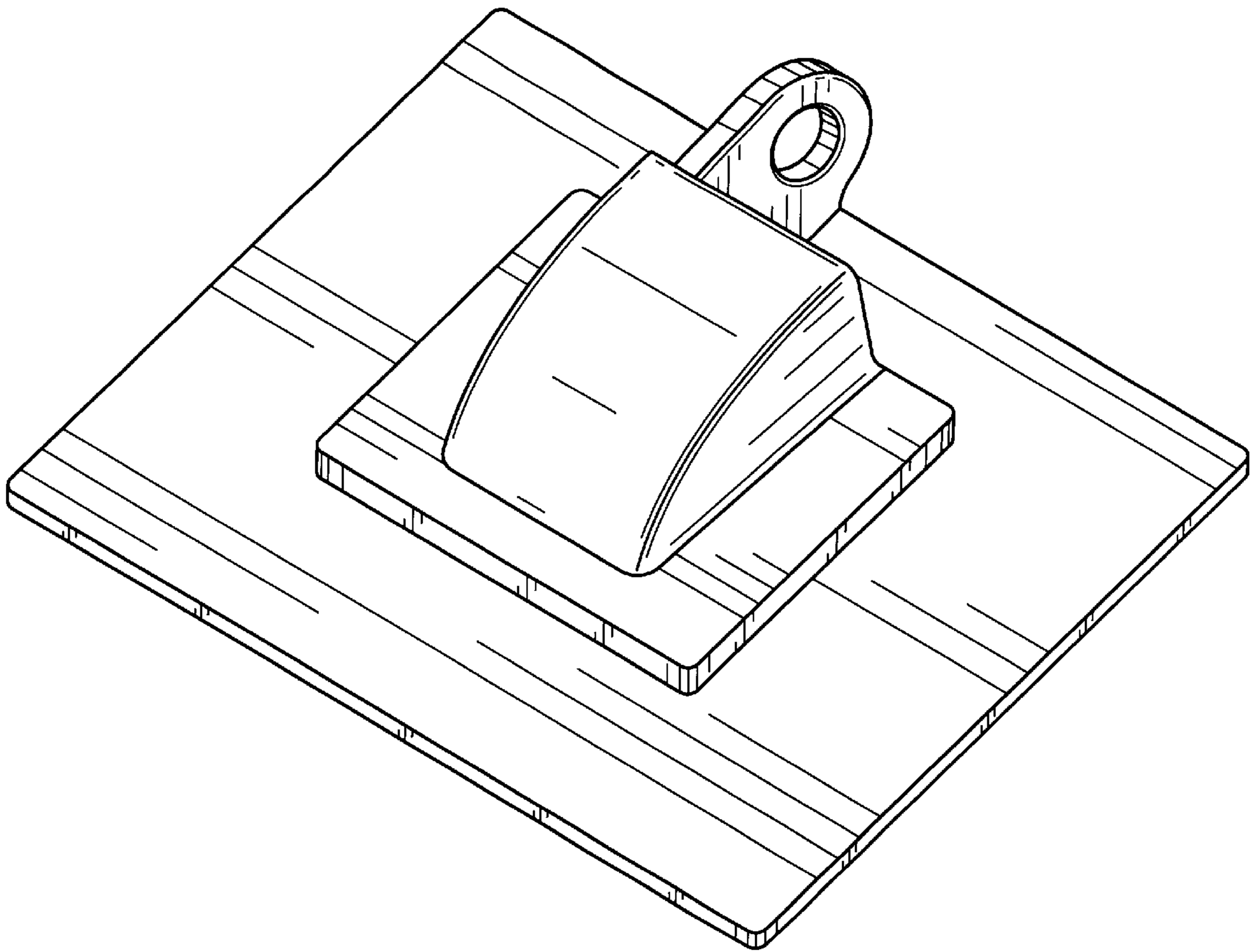


FIG. 2

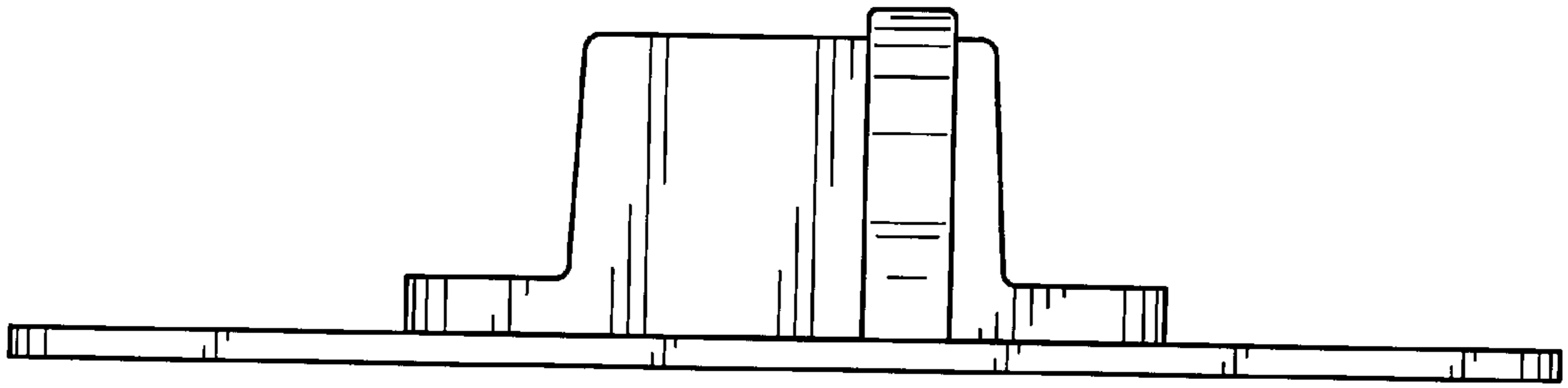


FIG. 3

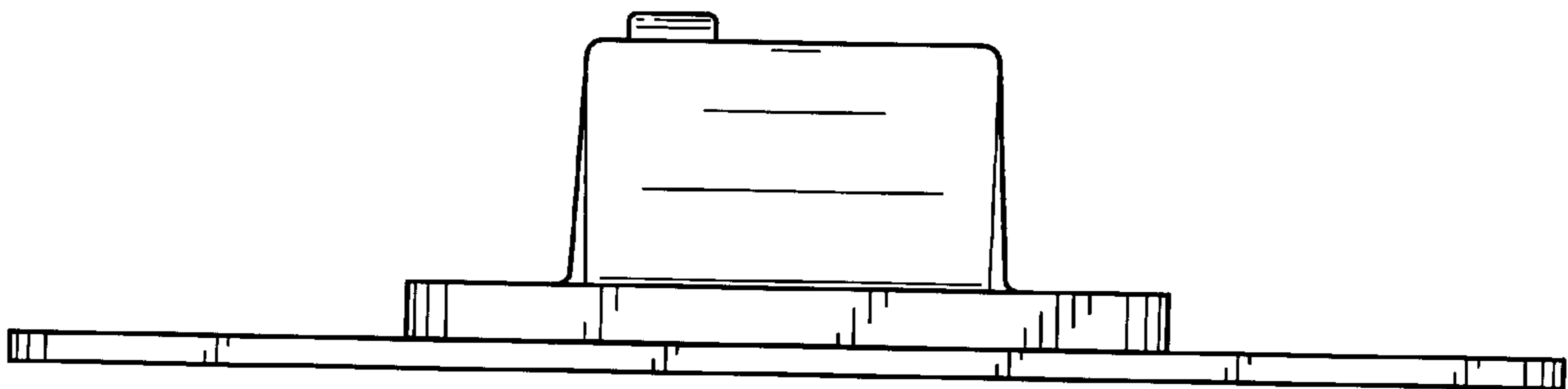


FIG. 4

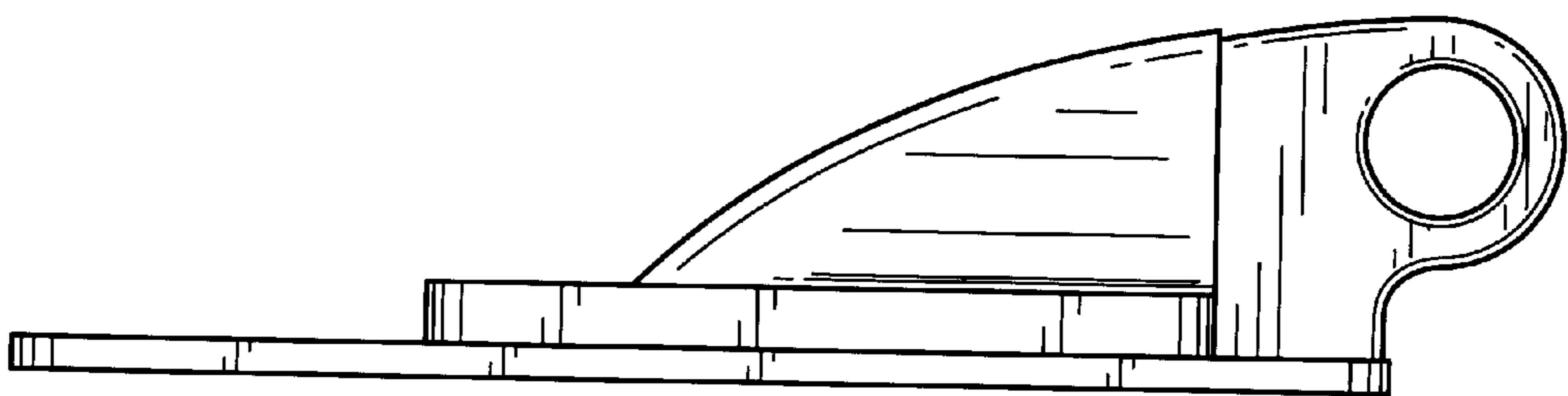


FIG. 5

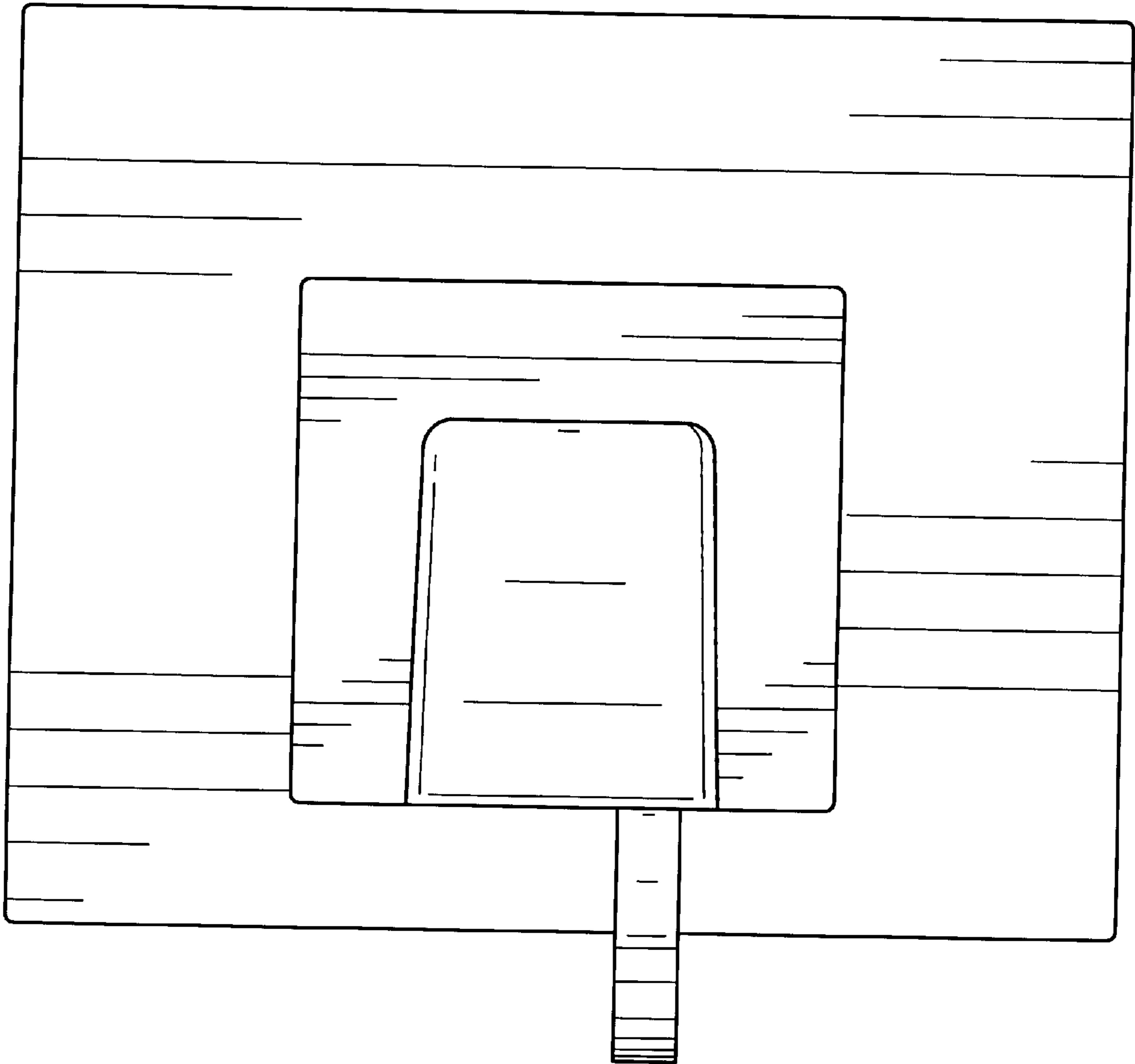


FIG. 6

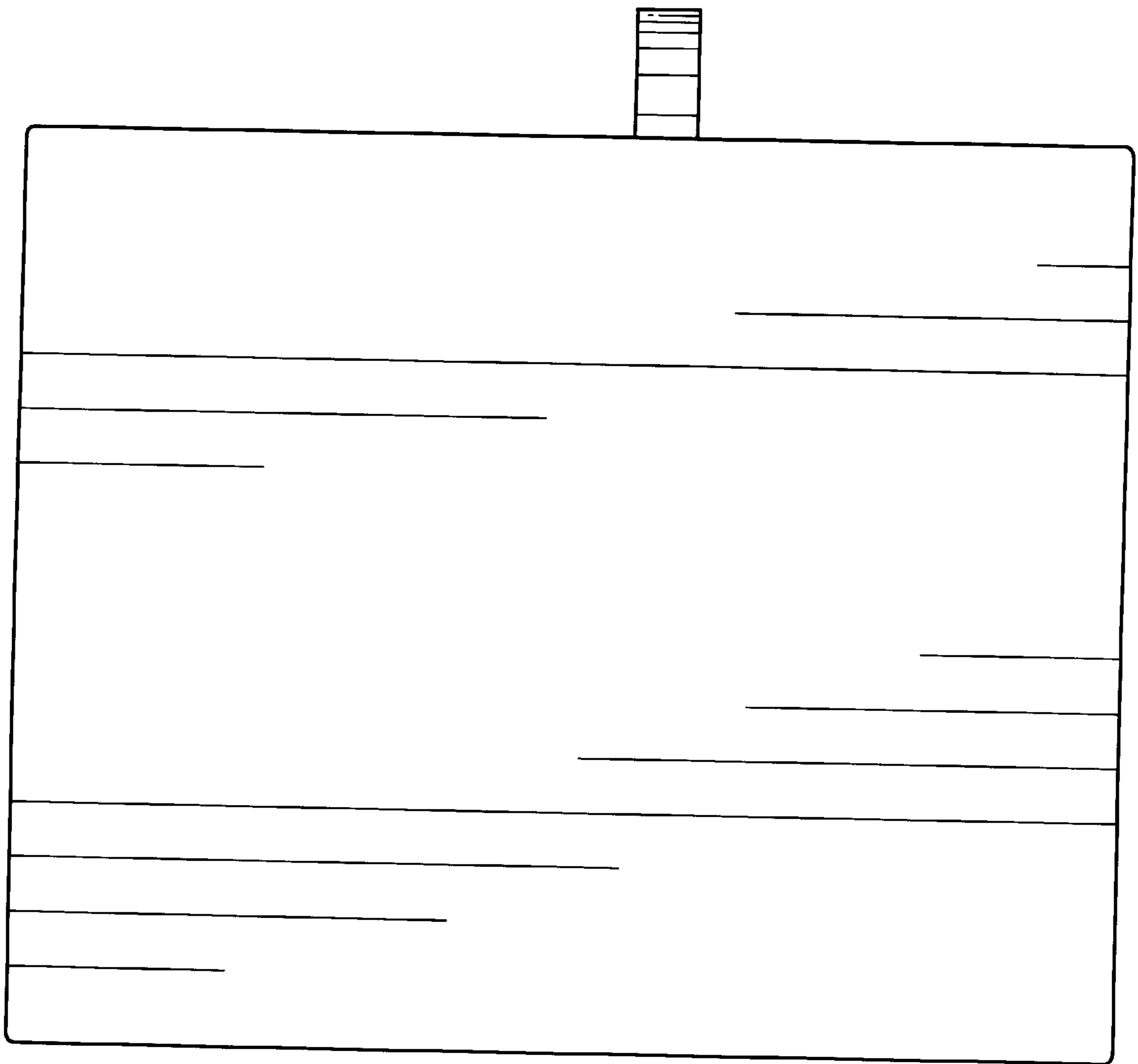


FIG. 7