



US00D478018S

(12) **United States Design Patent**
Adamosky

(10) **Patent No.:** **US D478,018 S**

(45) **Date of Patent:** **** Aug. 5, 2003**

(54) **ANGULAR DISPLACEMENT
MEASUREMENT INSTRUMENT**

6,217,529 B1 * 4/2001 Wax et al. 600/587 X
6,460,263 B1 * 10/2002 Matsumoto 33/534

(75) Inventor: **Patrick J. Adamosky**, Portland, OR
(US)

* cited by examiner

Primary Examiner—Antoine Duval Davis

(73) Assignee: **International Tools & Technologies,
Inc.**, Beaverton, OR (US)

(74) *Attorney, Agent, or Firm*—John Smith-Hill; Smith-Hill
and Bedell

(**) Term: **14 Years**

(57) **CLAIM**

The ornamental design for an angular displacement mea-
surement instrument, as shown and described.

(21) Appl. No.: **29/170,360**

DESCRIPTION

(22) Filed: **Nov. 4, 2002**

(51) **LOC (7) Cl.** **10-04**

(52) **U.S. Cl.** **D10/65; D10/70; D10/78**

(58) **Field of Search** D10/65, 70, 78;
33/1 Q, 281, 282, 286, 651.1, 546, 512,
534; 600/587

FIG. 1 is a perspective view of an angular displacement
measurement instrument showing my new design,

FIG. 2 is a front elevation thereof,

FIG. 3 is a left side elevation thereof,

FIG. 4 is a right side elevation thereof,

FIG. 5 is a top plan view thereof,

FIG. 6 is a bottom plan view thereof; and,

FIG. 7 is a rear elevation thereof.

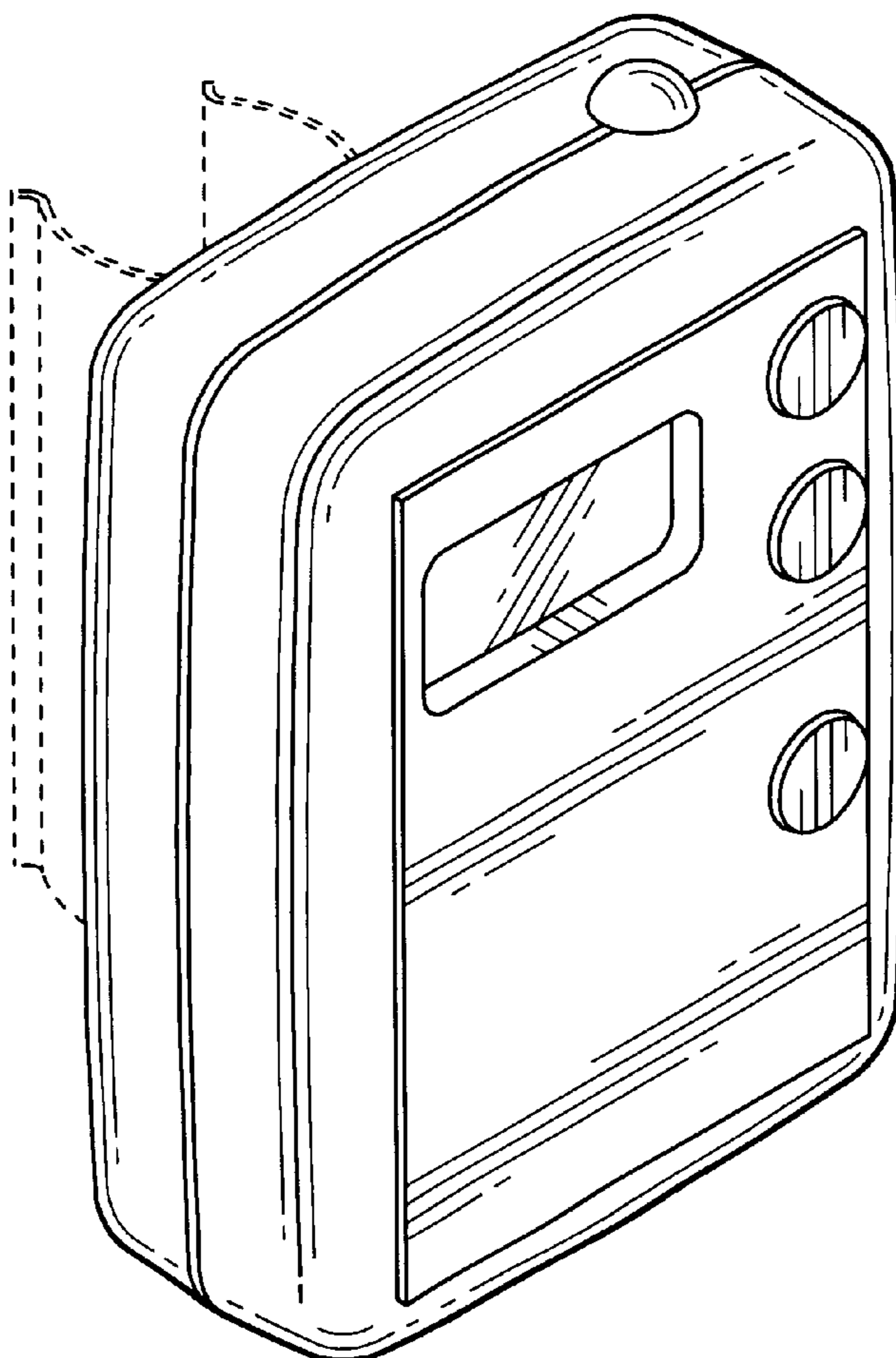
The broken line showing is for illustrative purposes only and
forms no part of the claimed design.

(56) **References Cited**

U.S. PATENT DOCUMENTS

4,940,063 A * 7/1990 Challis 33/512 X
5,930,904 A * 8/1999 Mualem 33/1 Q

1 Claim, 3 Drawing Sheets



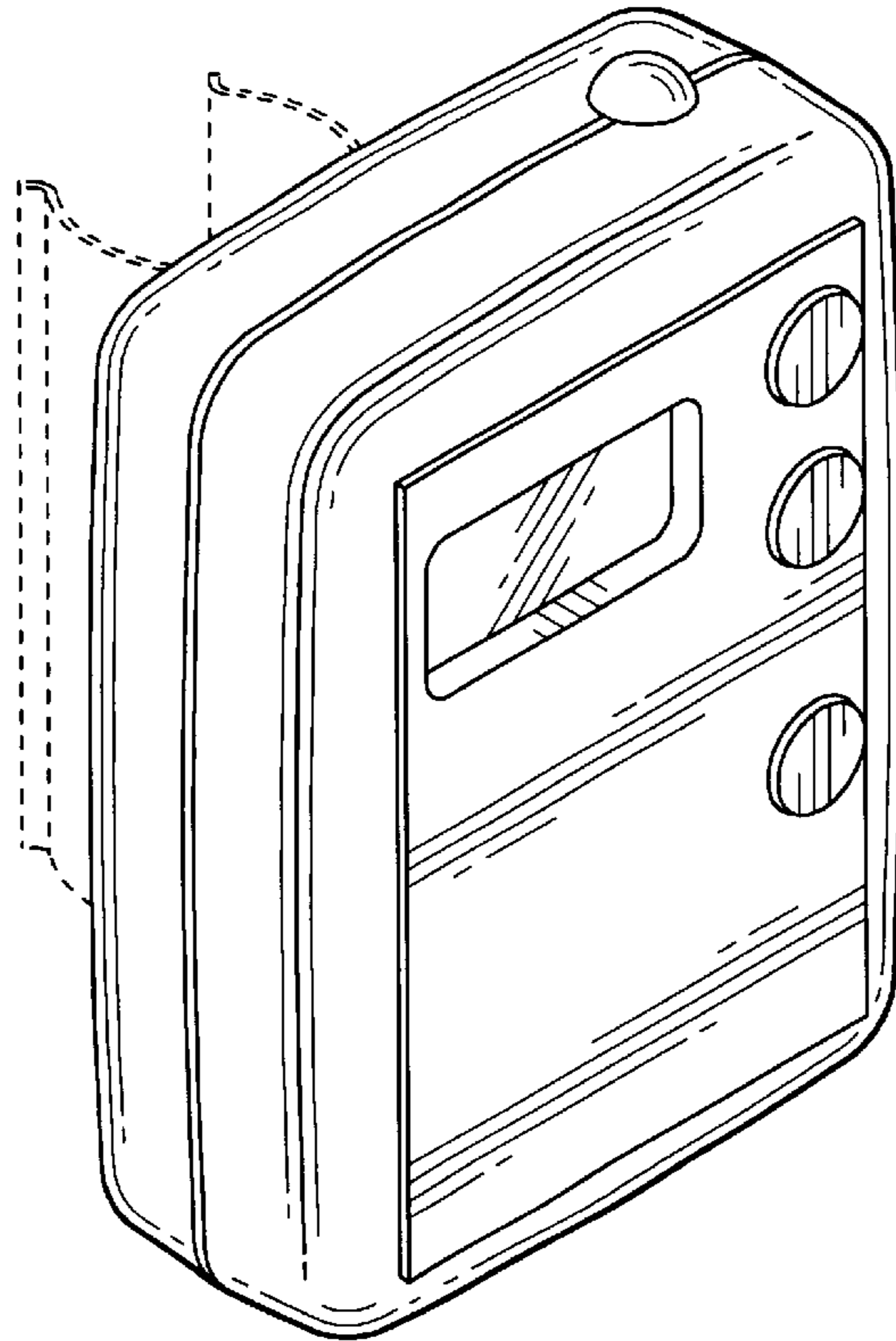


FIG.1

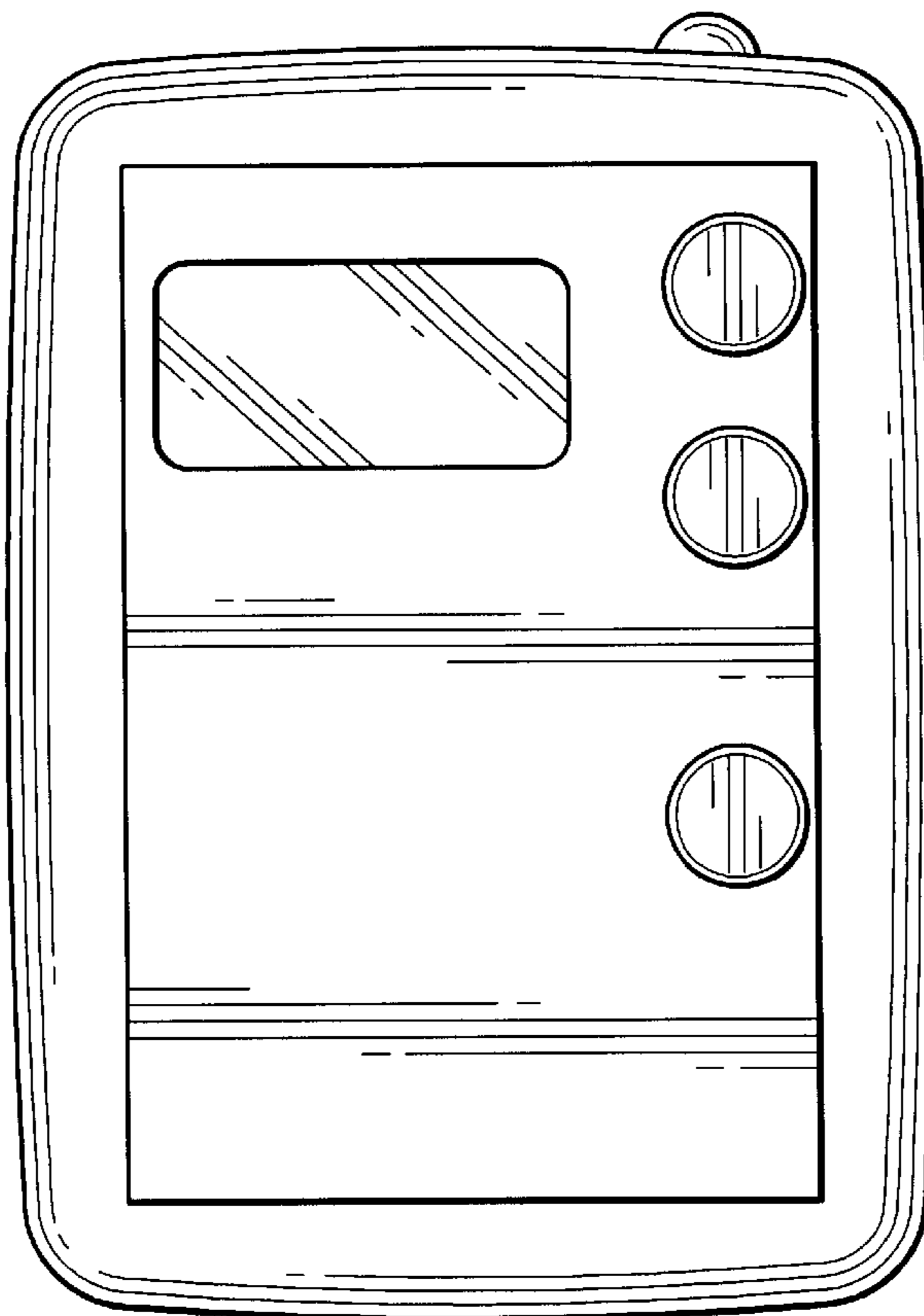
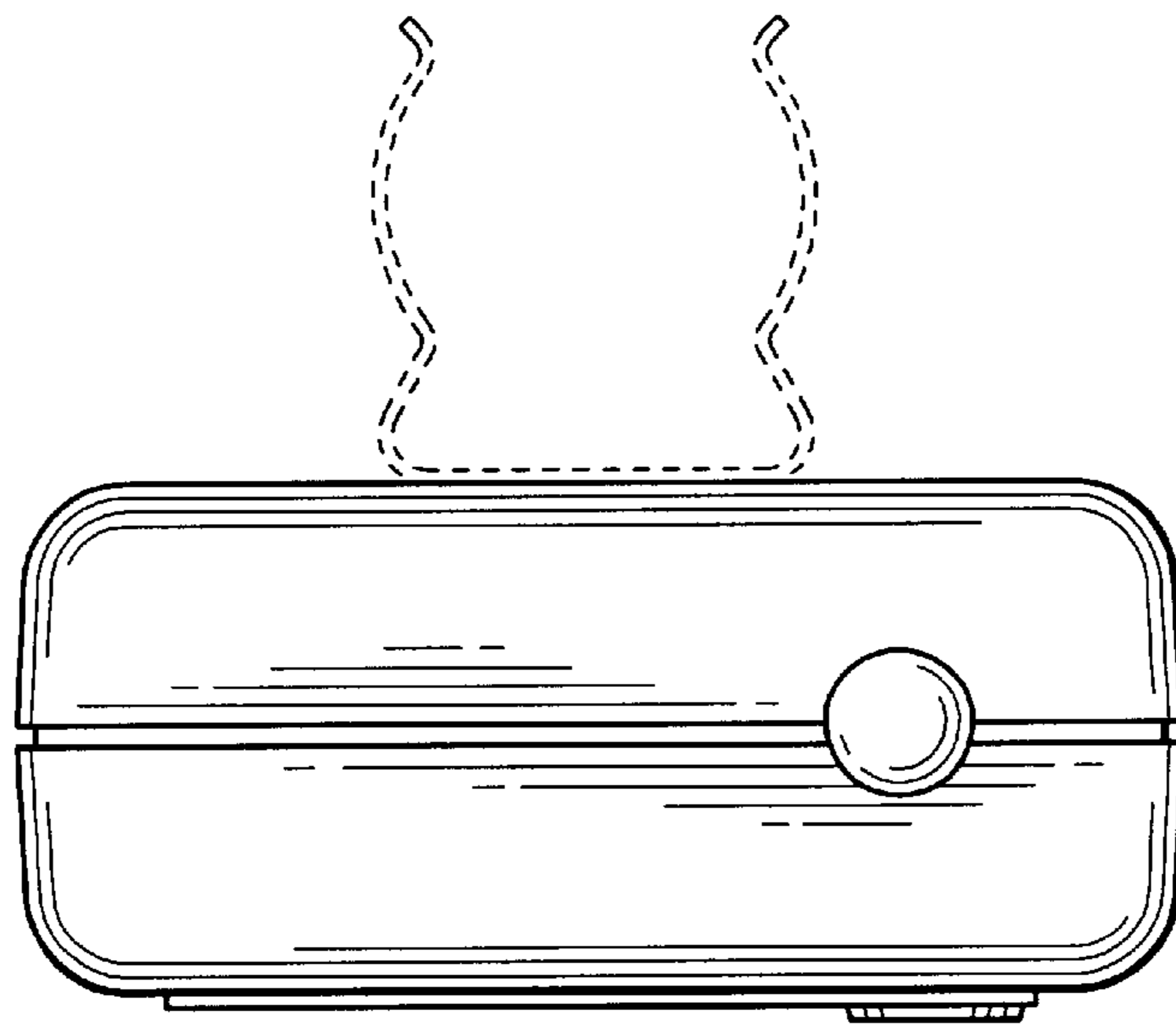
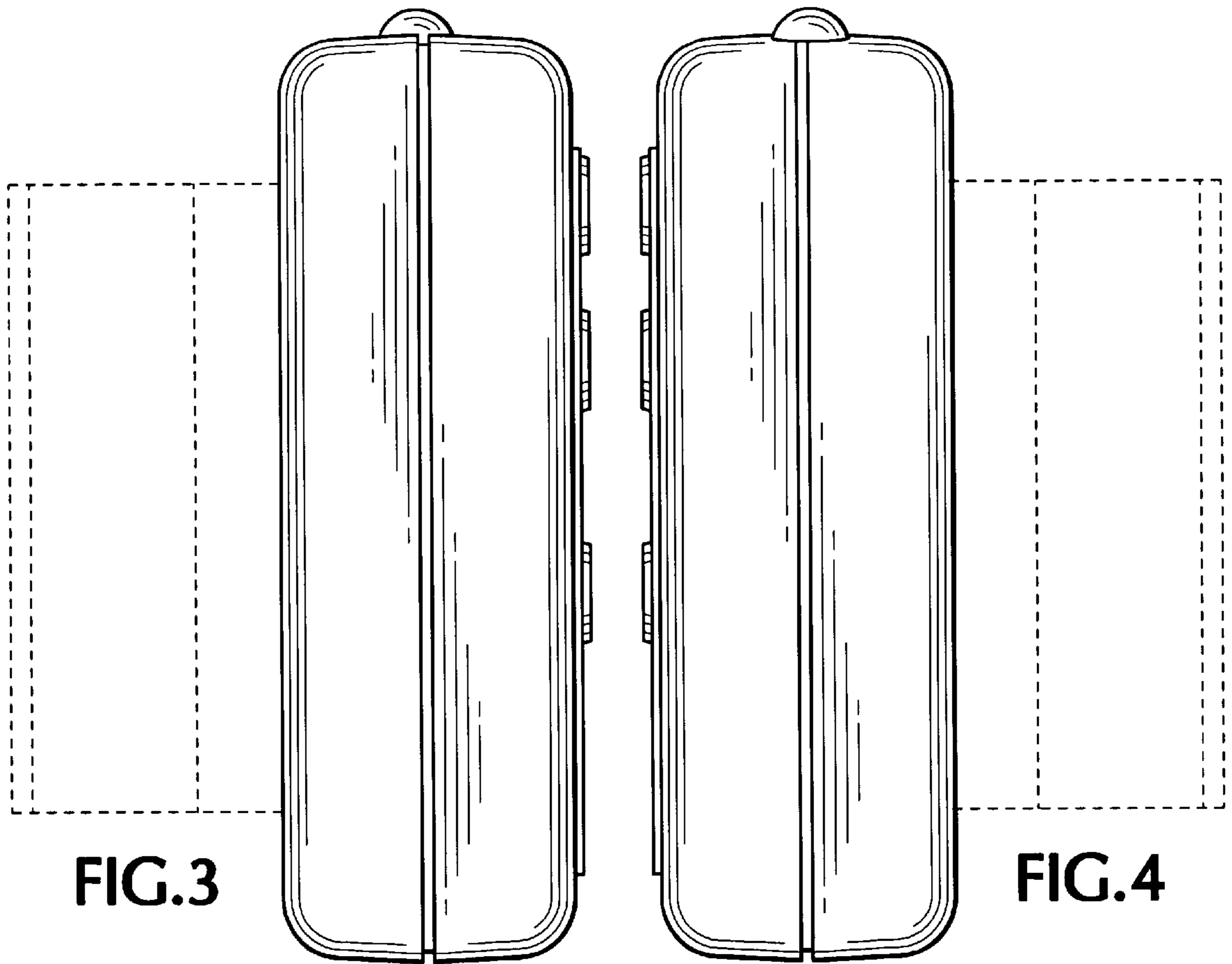


FIG.2



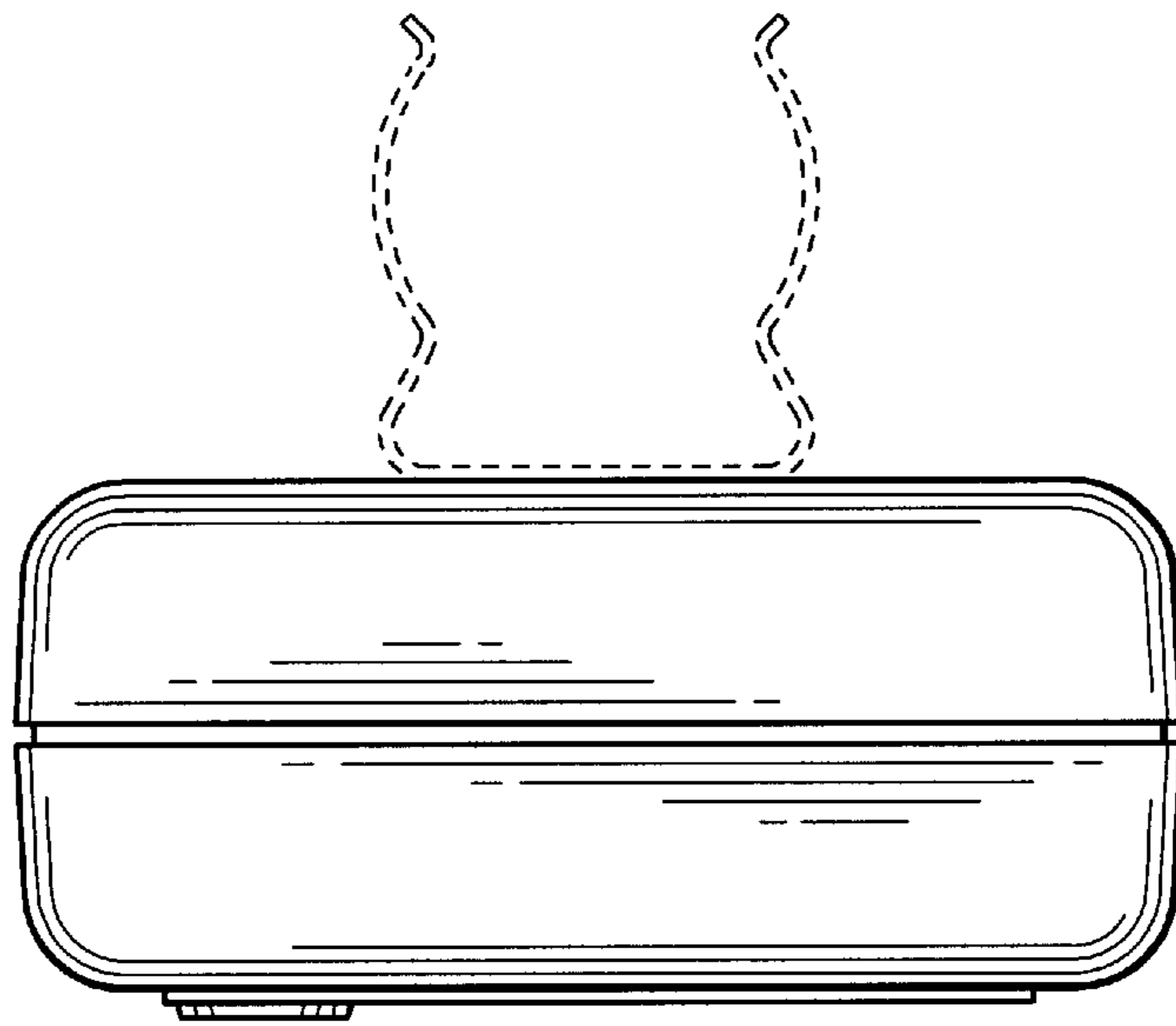


FIG. 6

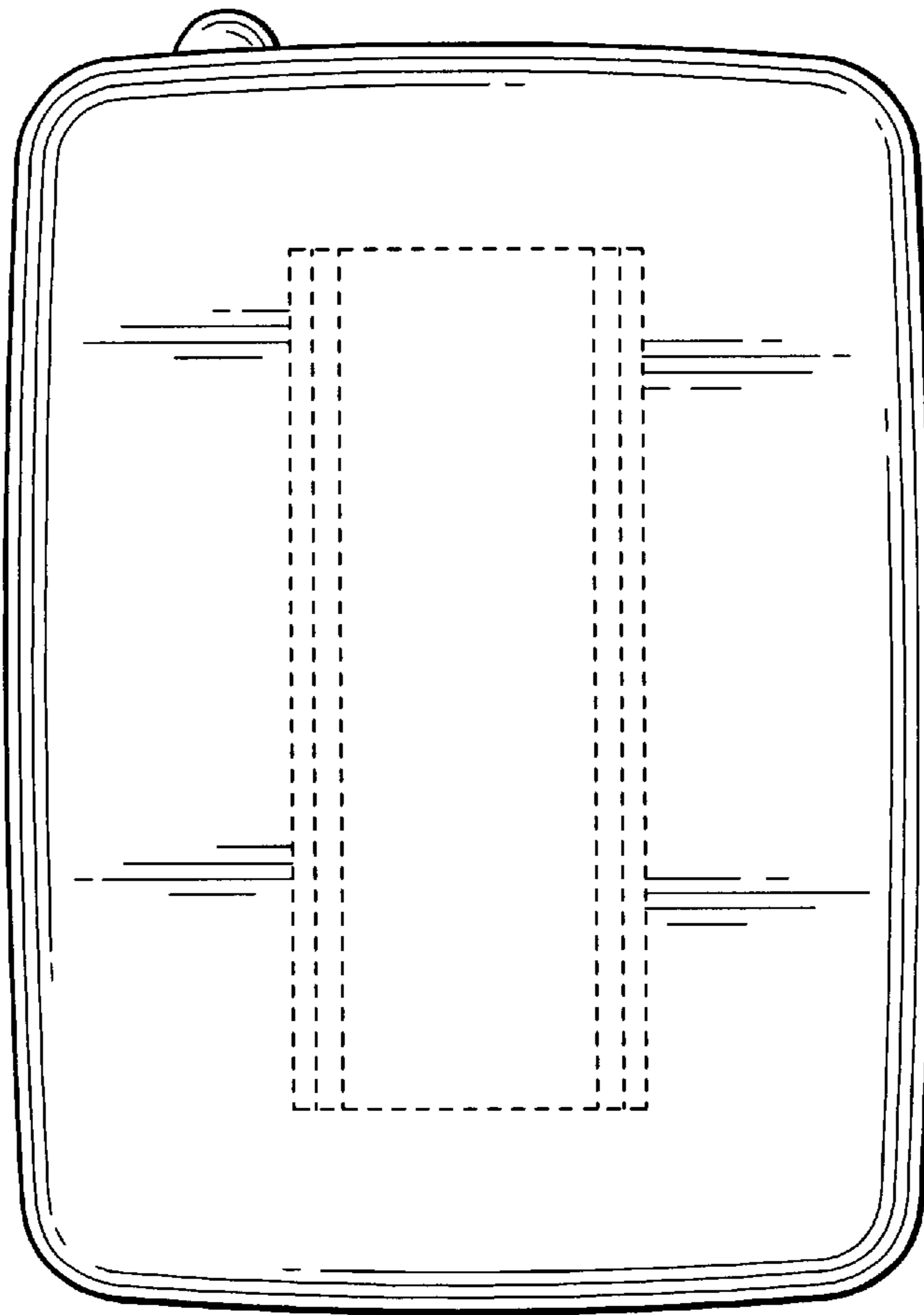


FIG. 7