



US00D478017S

(12) **United States Design Patent**
Chen

(10) **Patent No.:** **US D478,017 S**

(45) **Date of Patent:** **** Aug. 5, 2003**

(54) **INSULATION TESTER**

(76) Inventor: **Li-Chuan Chen**, 7th Fl., No. 31, Lane
513, Ruikwang Rd., Taipei (TW)

(**) Term: **14 Years**

(21) Appl. No.: **29/170,359**

(22) Filed: **Nov. 4, 2002**

(51) **LOC (7) Cl.** **10-04**

(52) **U.S. Cl.** **D10/46; D10/78**

(58) **Field of Search** **D10/46, 78; 73/40.5 A,**
73/584-587, 591-592; 324/559, 455, 536,
555; 381/60, 312; 128/866

(56) **References Cited**

U.S. PATENT DOCUMENTS

5,936,536 A * 8/1999 Morris 340/647

5,963,041 A * 10/1999 Jones 324/559

* cited by examiner

Primary Examiner—Antoine Duval Davis

(74) *Attorney, Agent, or Firm*—Dellett and Walters

(57) **CLAIM**

The ornamental design for an insulation tester, as shown.

DESCRIPTION

FIG. 1 is a perspective view of an insulation tester, showing my new design;

FIG. 2 is a front view thereof;

FIG. 3 is a rear view thereof;

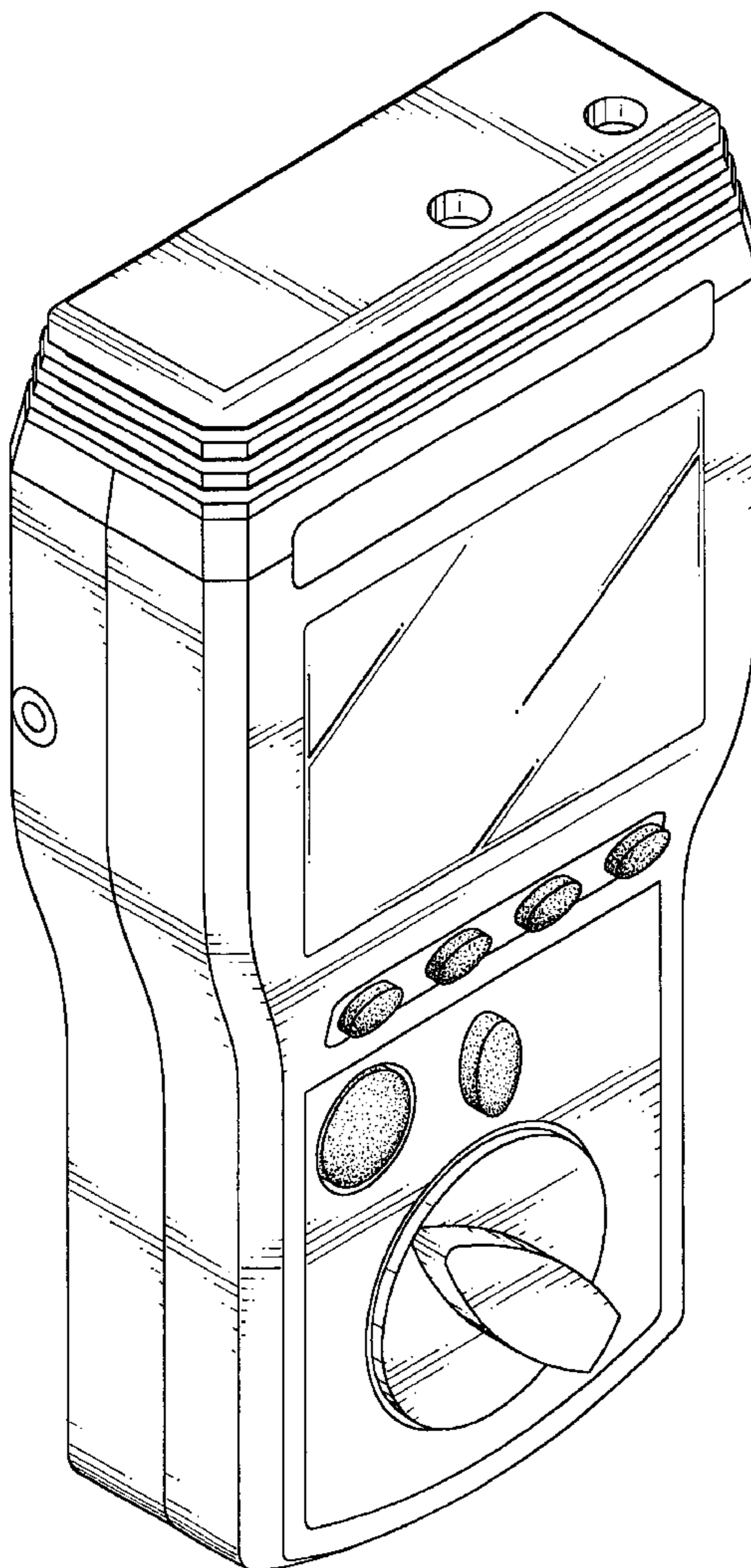
FIG. 4 is a left side view thereof;

FIG. 5 is a right side view thereof;

FIG. 6 is a top plan view thereof; and,

FIG. 7 is a bottom plan view thereof.

1 Claim, 5 Drawing Sheets



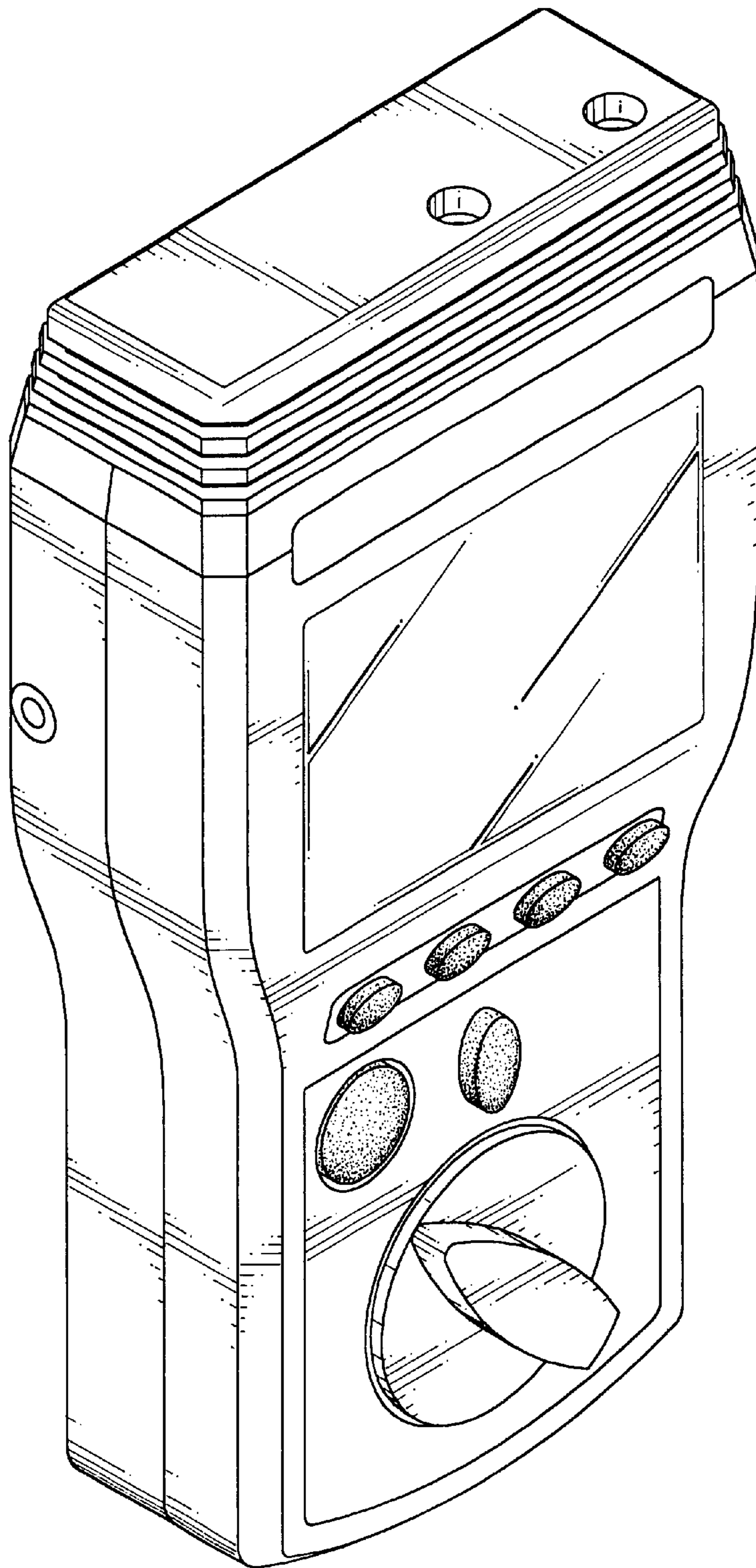


FIG. 1

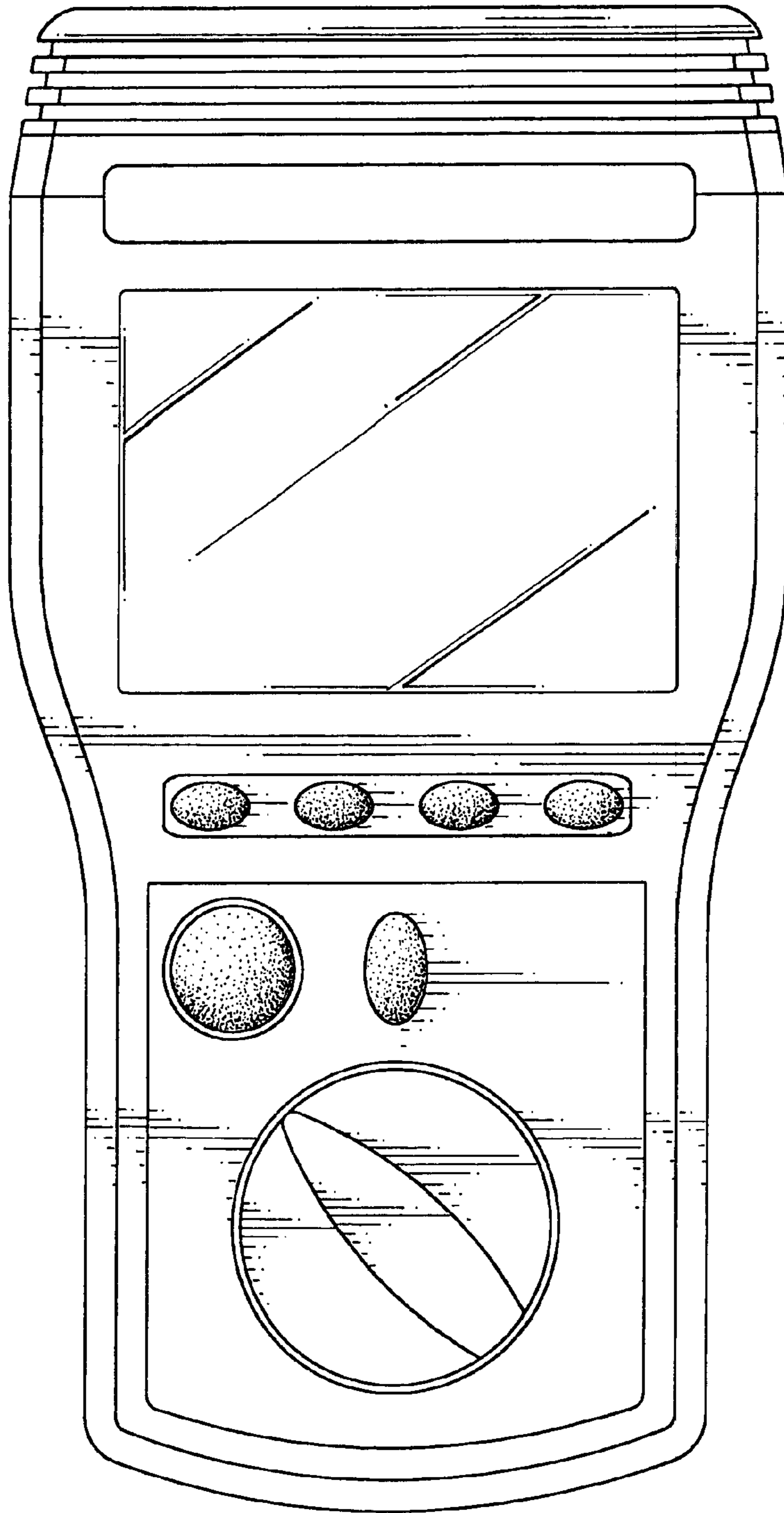


FIG. 2

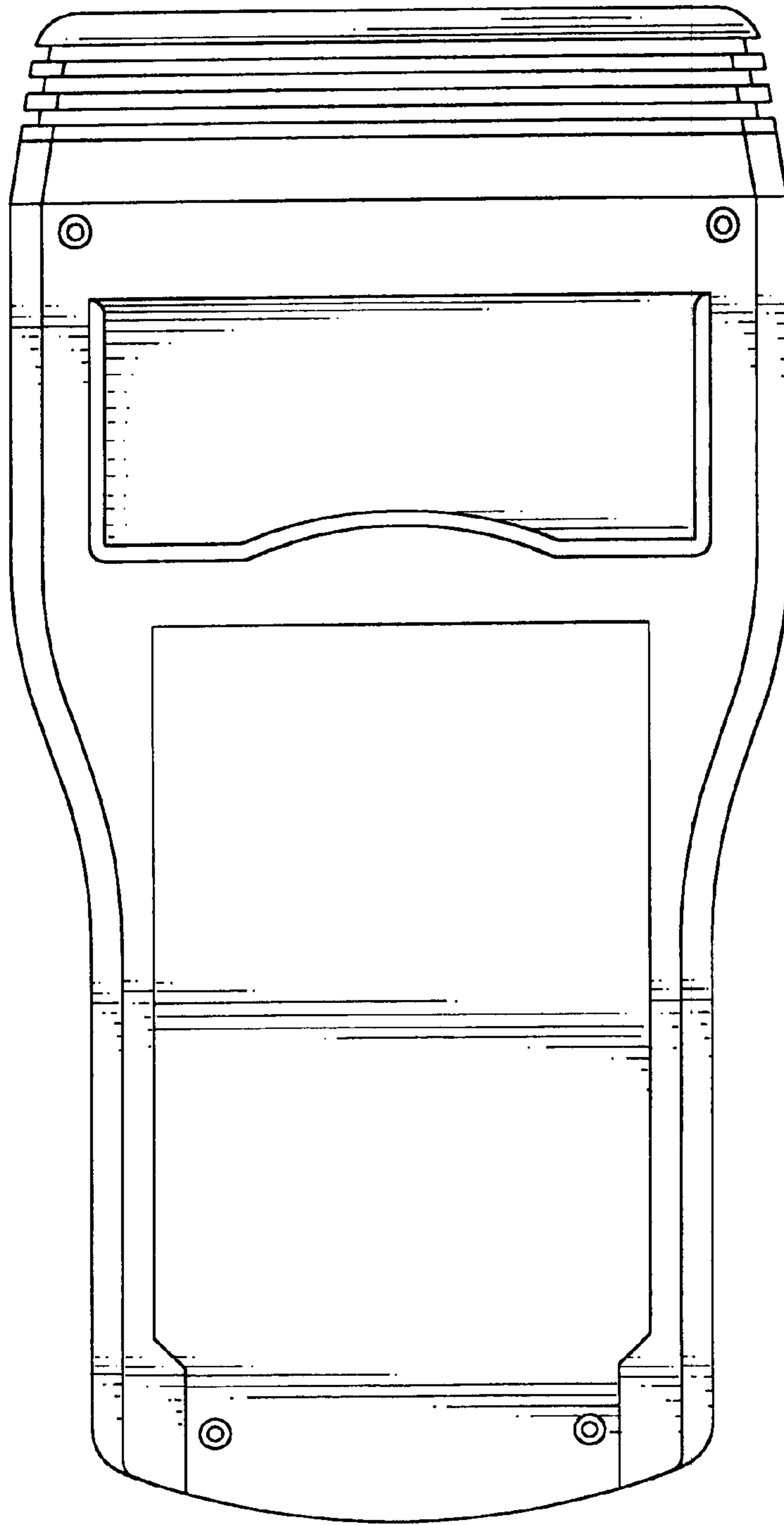


FIG. 3

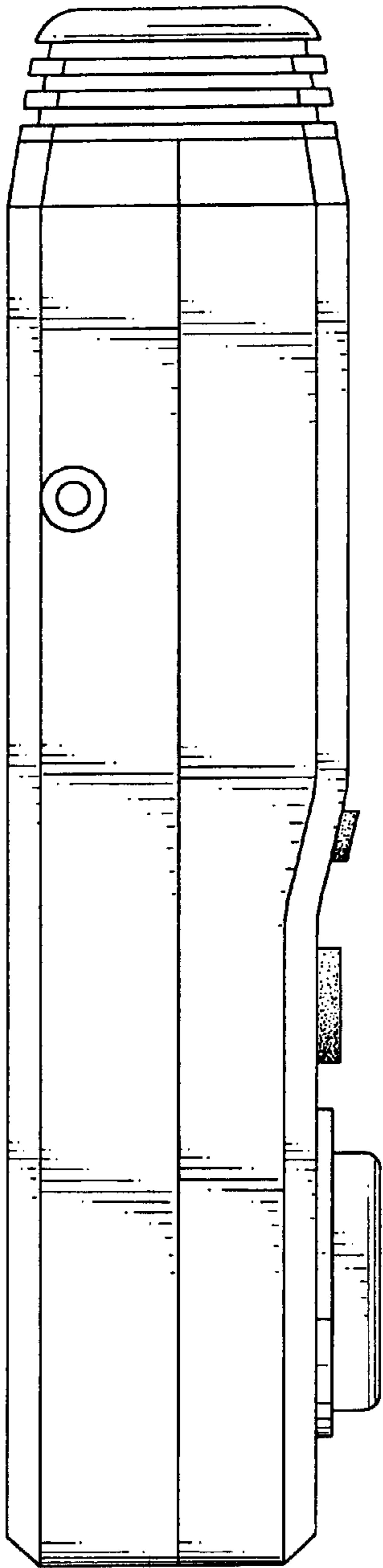


FIG. 4

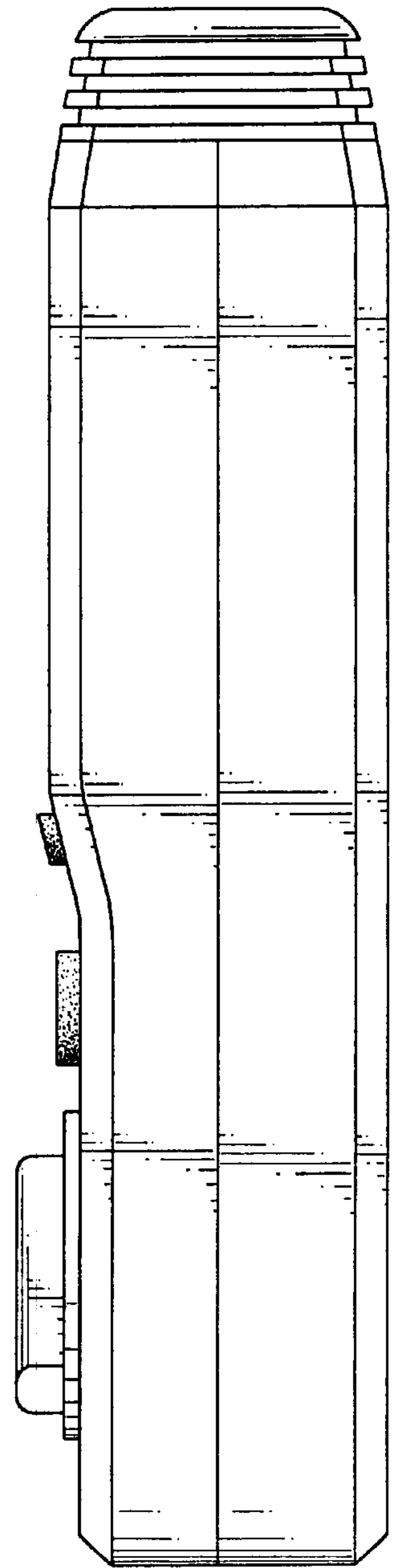


FIG. 5

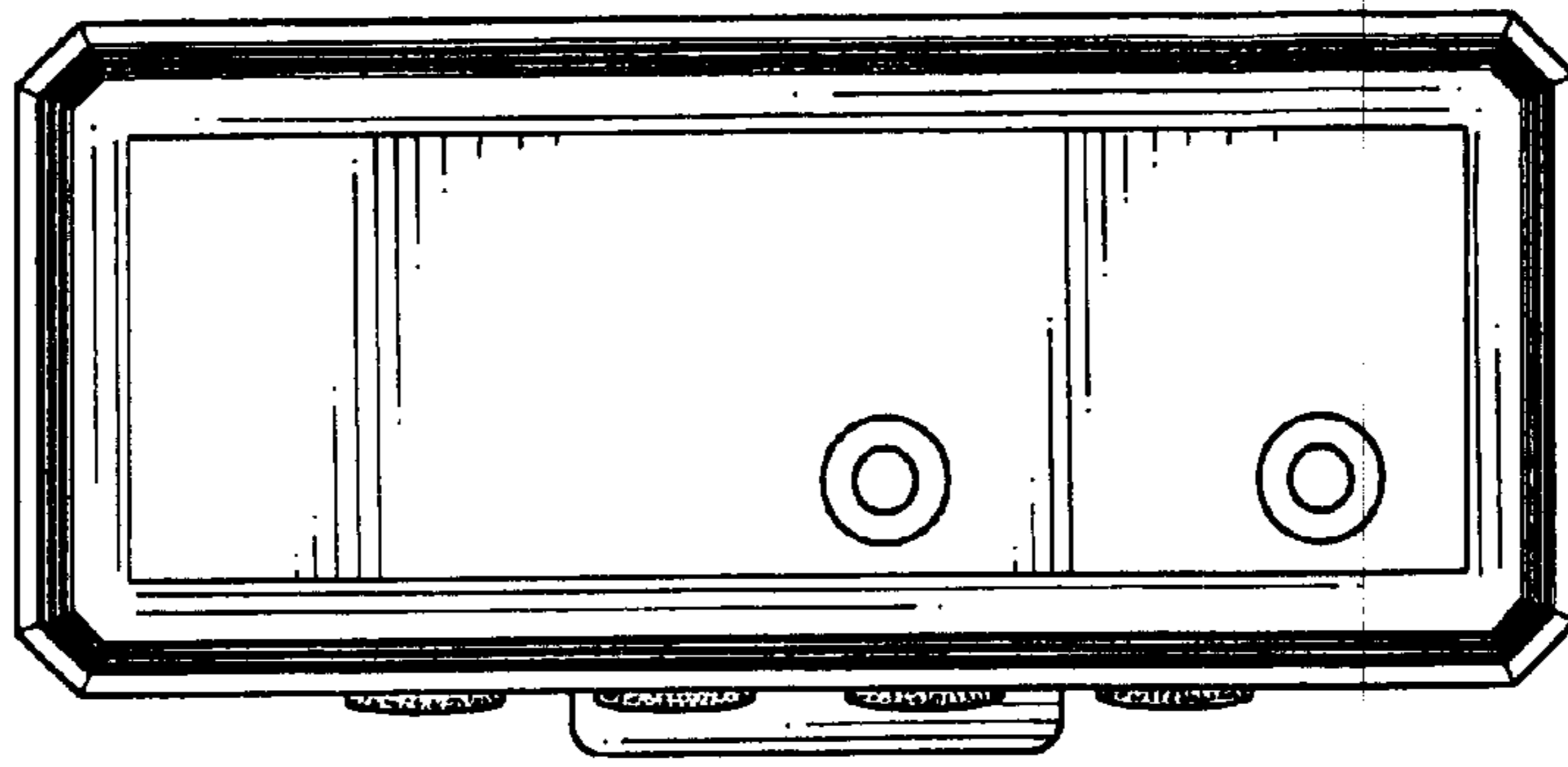


FIG. 6

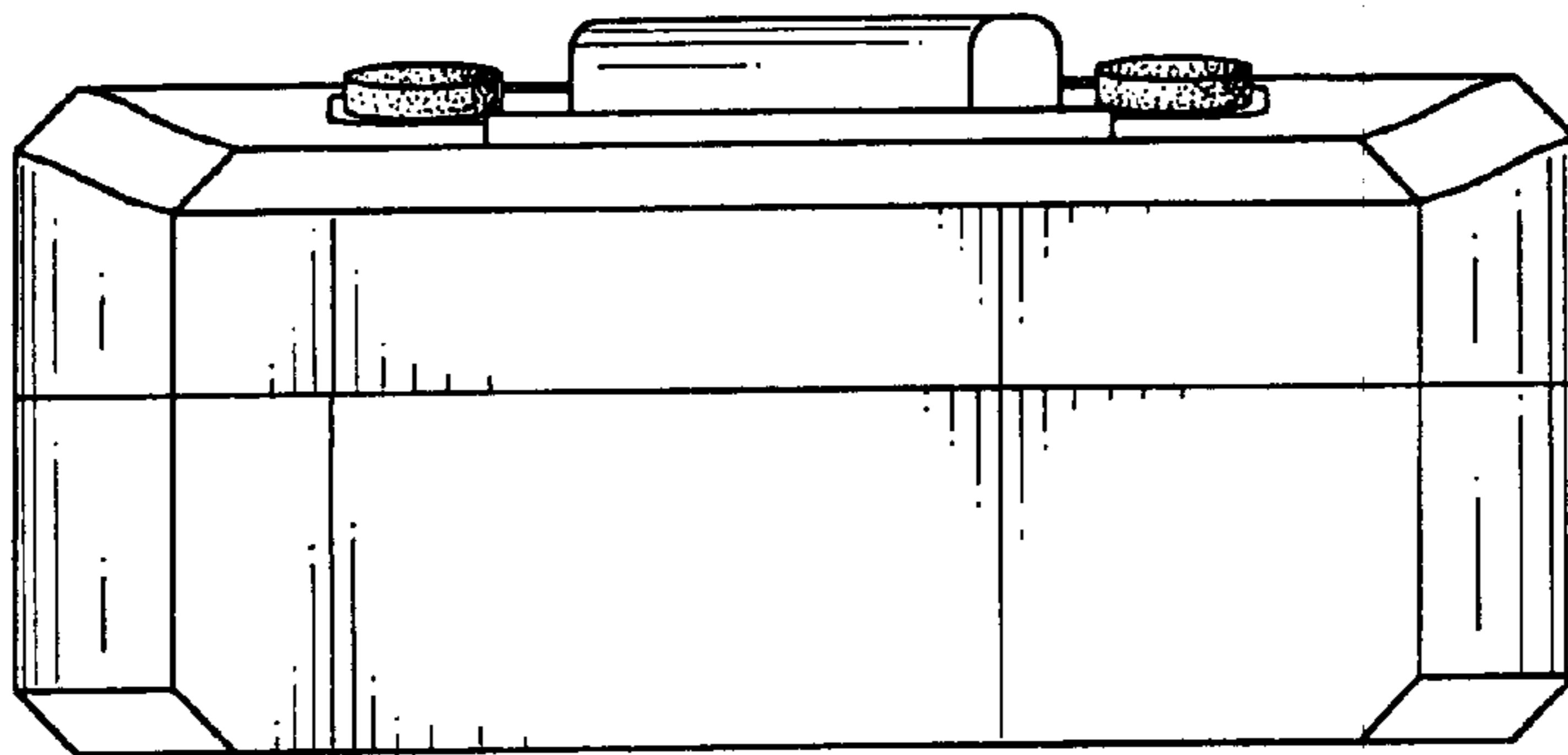


FIG. 7