



US00D478010S

(12) **United States Design Patent**
Chen

(10) **Patent No.:** **US D478,010 S**

(45) **Date of Patent:** **** Aug. 5, 2003**

(54) **WORLD TIME CLOCK**

(75) Inventor: **Bo Shih Chen**, Hong Kong (CN)

(73) Assignee: **Suntree Holdings Company Limited**,
Hong Kong (CN)

(**) Term: **14 Years**

(21) Appl. No.: **29/168,125**

(22) Filed: **Sep. 27, 2002**

(51) **LOC (7) Cl.** **10-01**

(52) **U.S. Cl.** **D10/2; D10/3; D10/4;**
D10/52; D10/53; D10/15; D10/14; D10/1

(58) **Field of Search** **D10/1-40, 122-132,**
D10/52-53, 55-57; 368/276-277, 285,
316-317

(56) **References Cited**

U.S. PATENT DOCUMENTS

2,254,676	A	*	9/1941	Ebert	D10/115	X
D219,793	S	*	1/1971	Turnbull	D10/53	
D228,019	S	*	7/1973	Cuccio	D10/53	
D228,600	S	*	10/1973	Moffett	D6/310	
3,771,246	A	*	11/1973	Ebner	40/720	

4,845,689	A	*	7/1989	Vole	368/82	
D339,242	S	*	9/1993	Sontag et al.	D6/312	
D359,240	S	*	6/1995	Benton	D10/4	
D398,858	S	*	9/1998	Taylor	D10/15	
D447,706	S	*	9/2001	Bjorn	D10/53	

* cited by examiner

Primary Examiner—Nelson C. Holtje

(74) *Attorney, Agent, or Firm*—Birch, Stewart, Kolasch & Birch, LLP

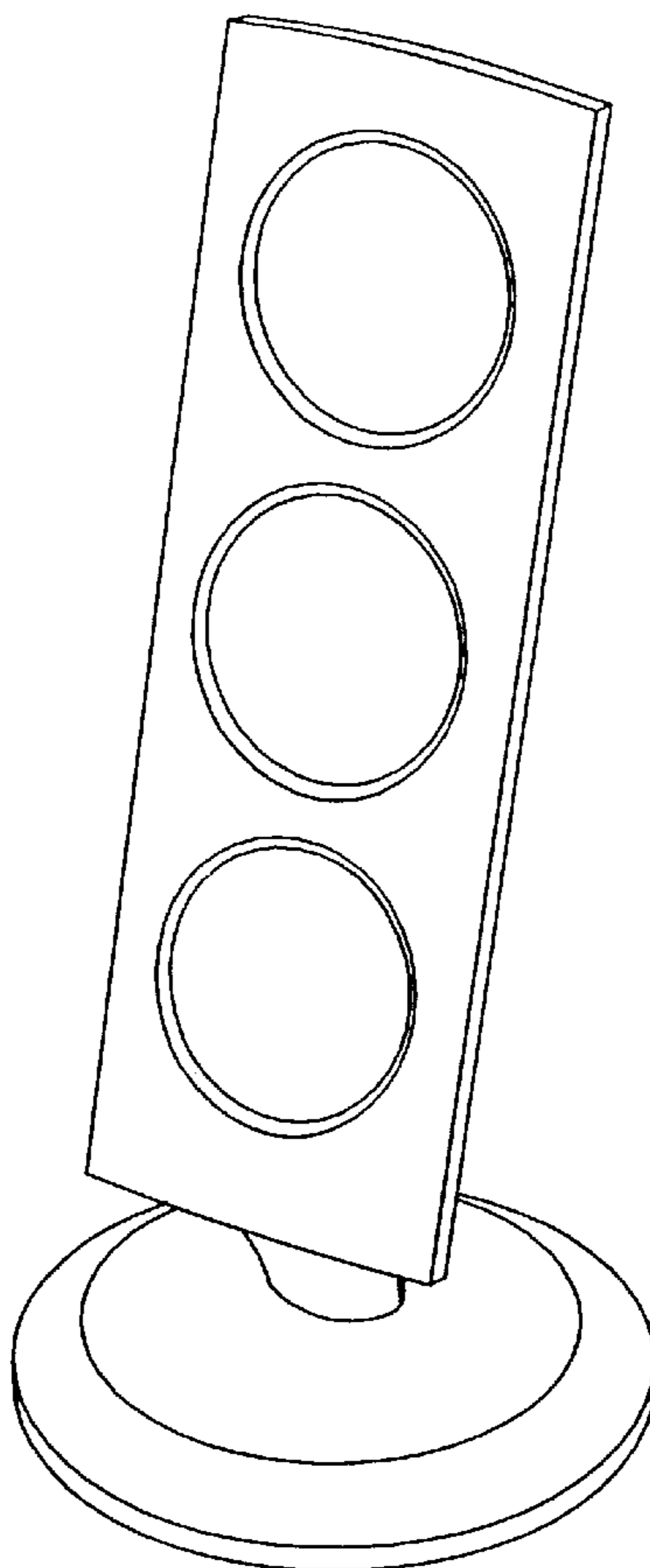
(57) **CLAIM**

The ornamental design for a world time clock, as shown and described.

DESCRIPTION

FIG. 1 is a front perspective view of a world time clock showing my new design;
FIG. 2 is a rear view thereof;
FIG. 3 is a front elevational view thereof;
FIG. 4 is a right side elevational view thereof;
FIG. 5 is a left side elevational view thereof;
FIG. 6 is a bottom plan view thereof; and,
FIG. 7 is a top plan view thereof.

1 Claim, 2 Drawing Sheets



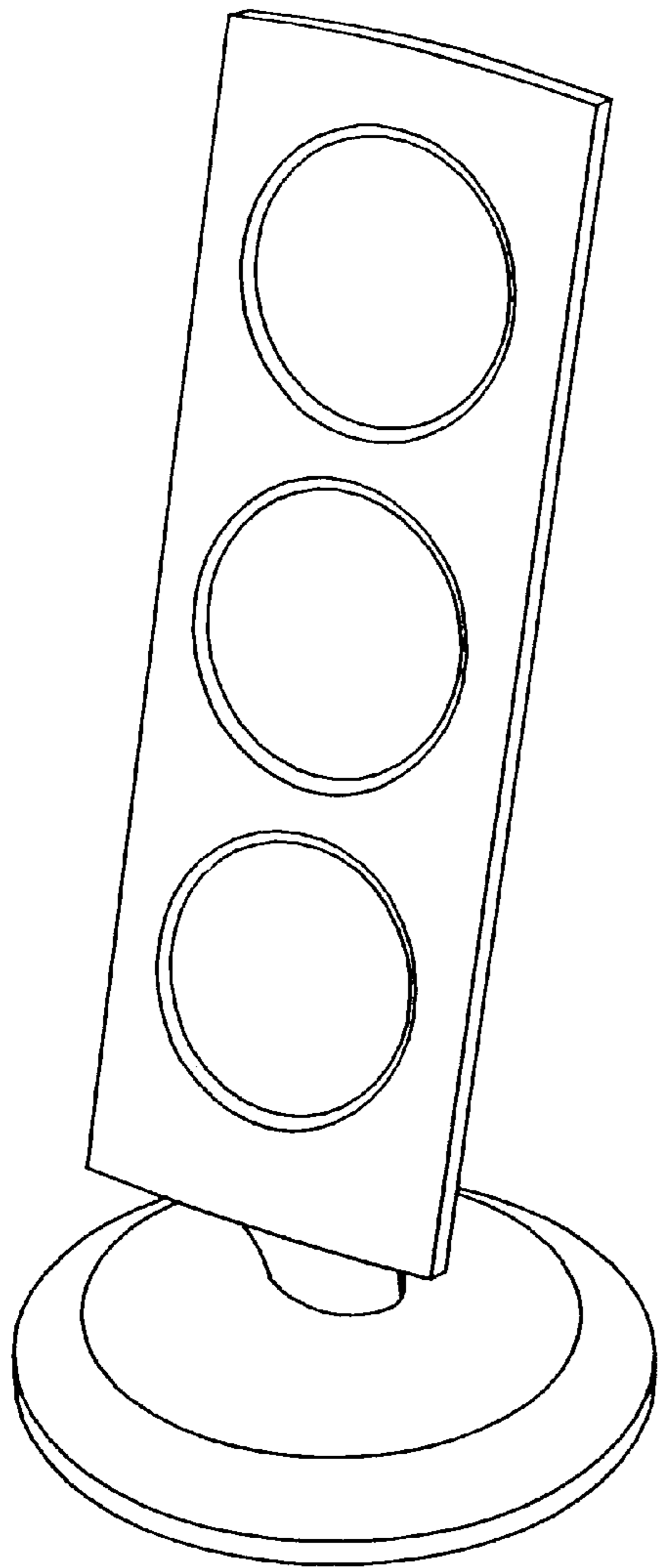


FIG. 1

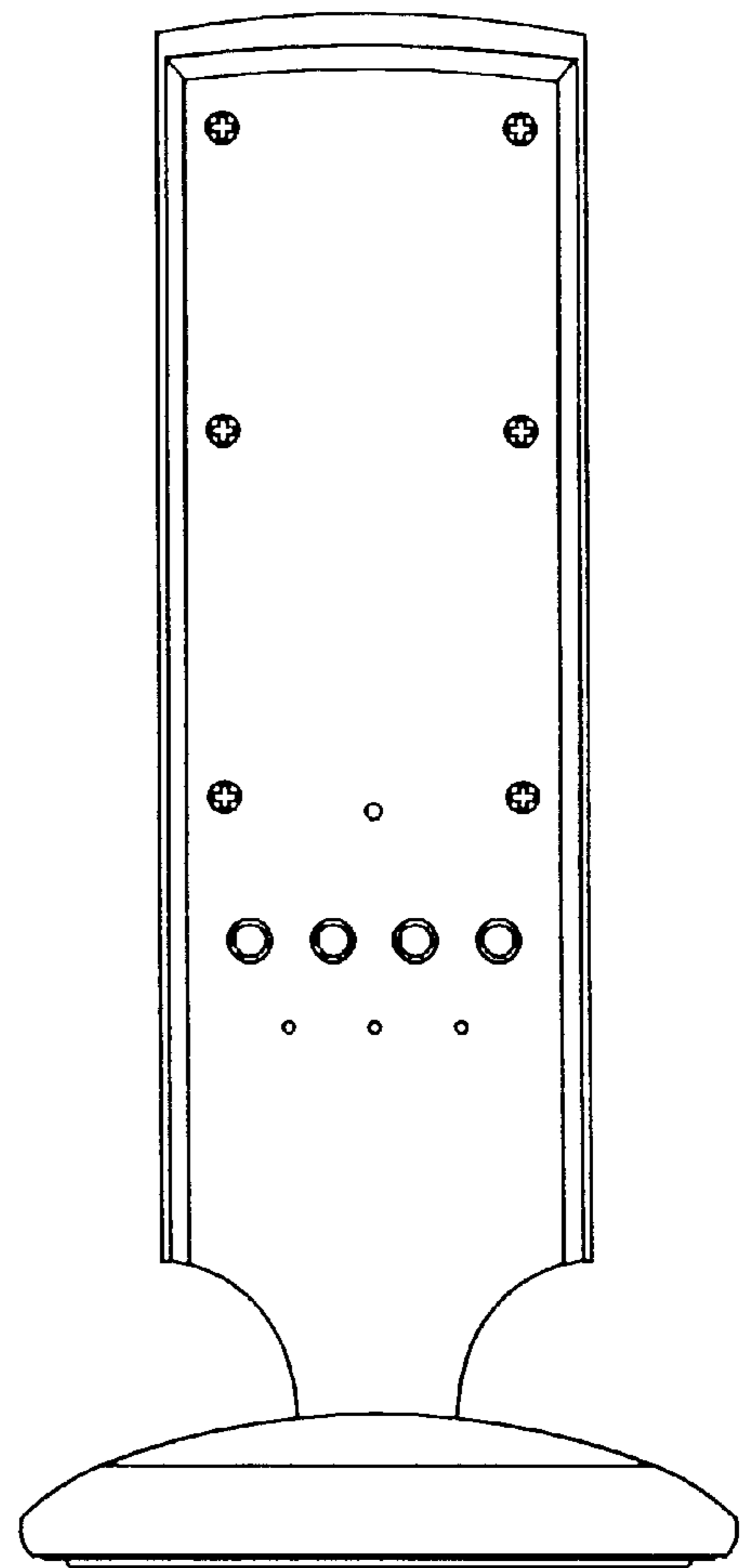


FIG. 2

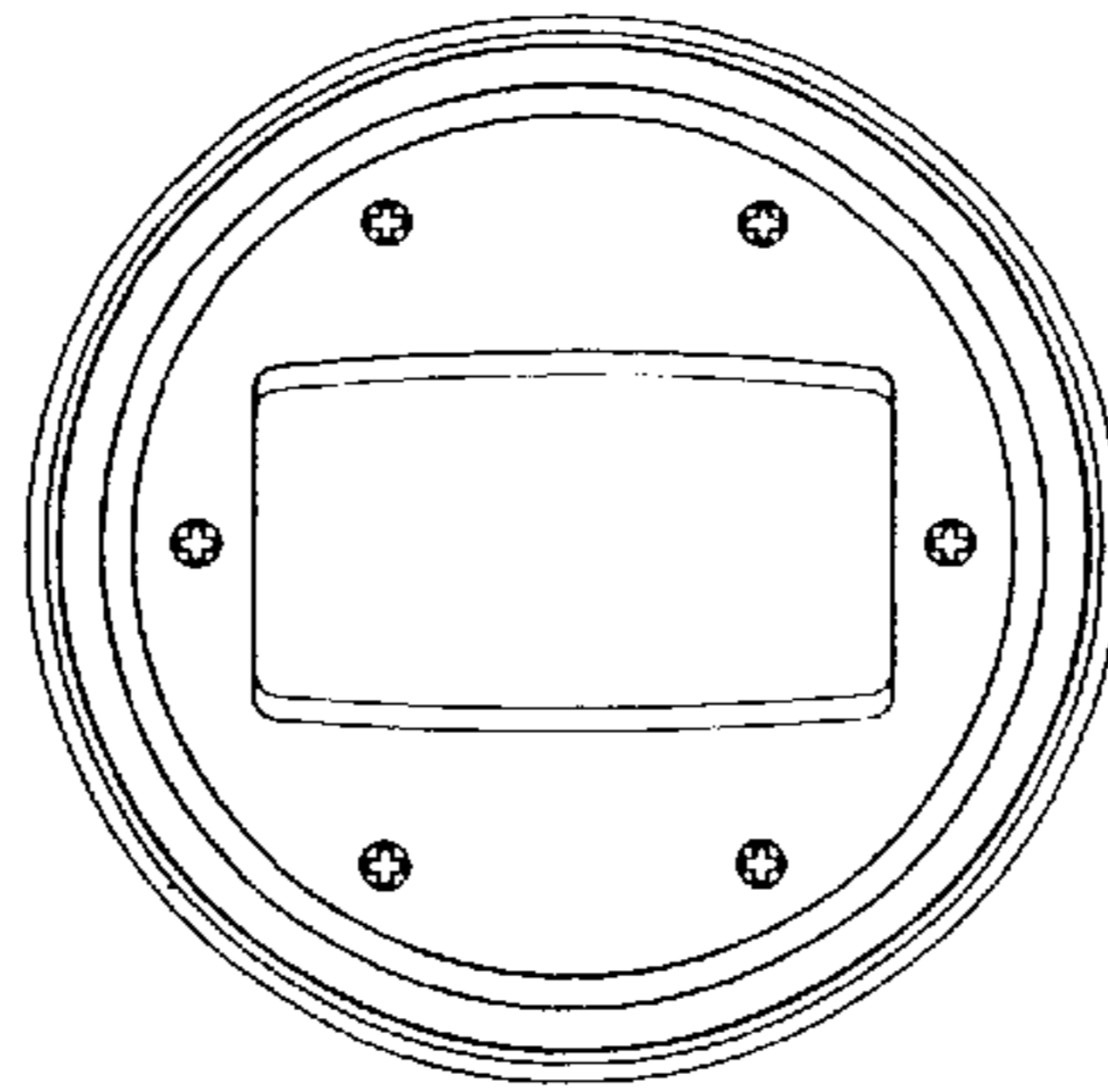


FIG. 6

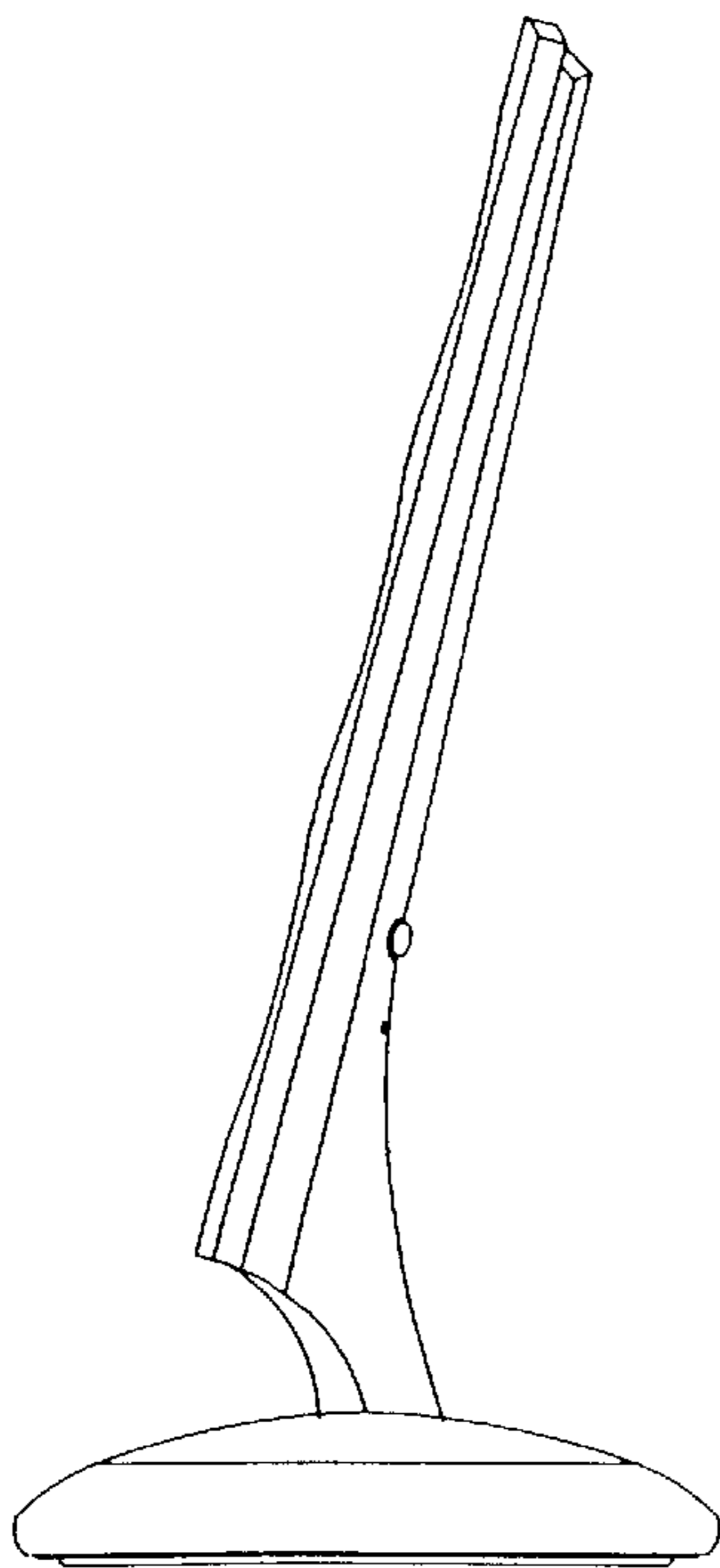


FIG. 4

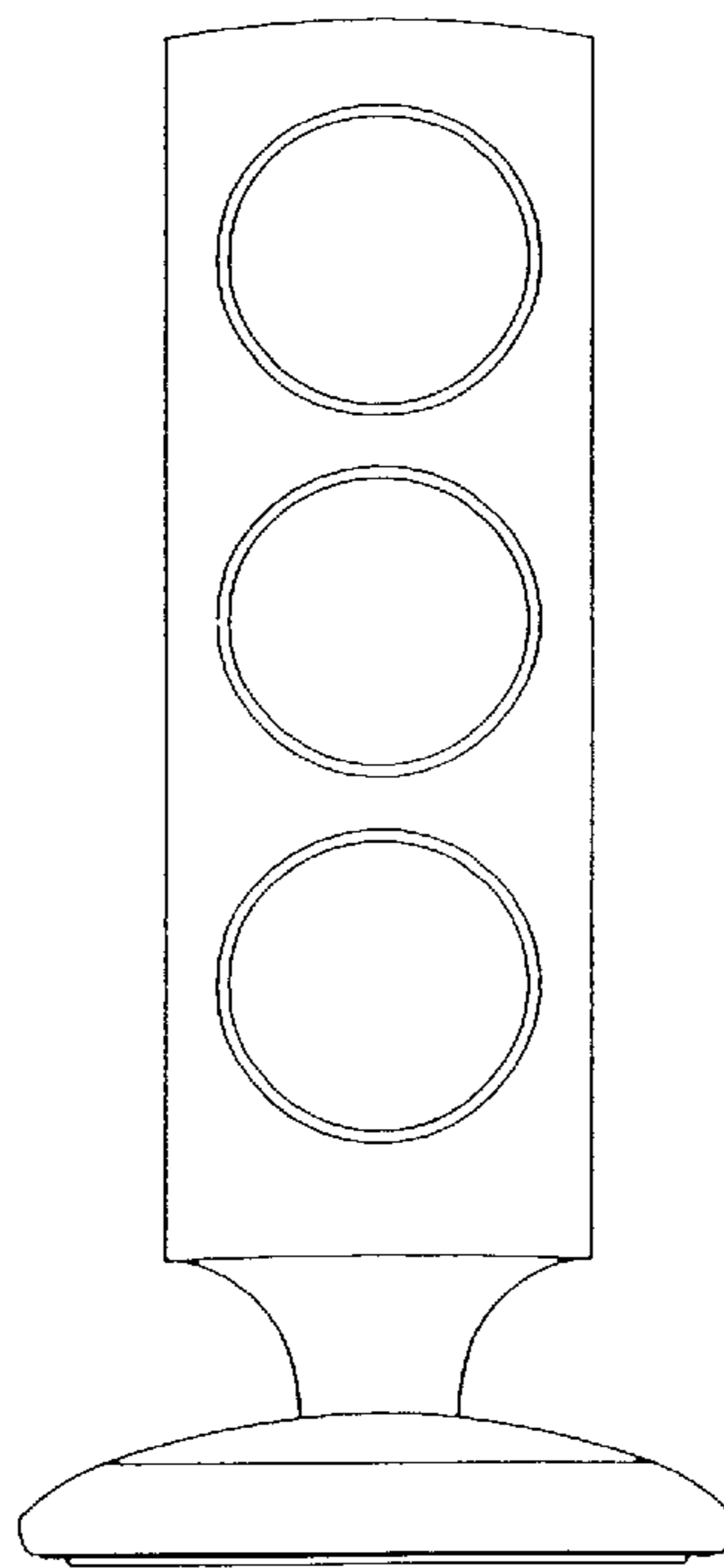


FIG. 3

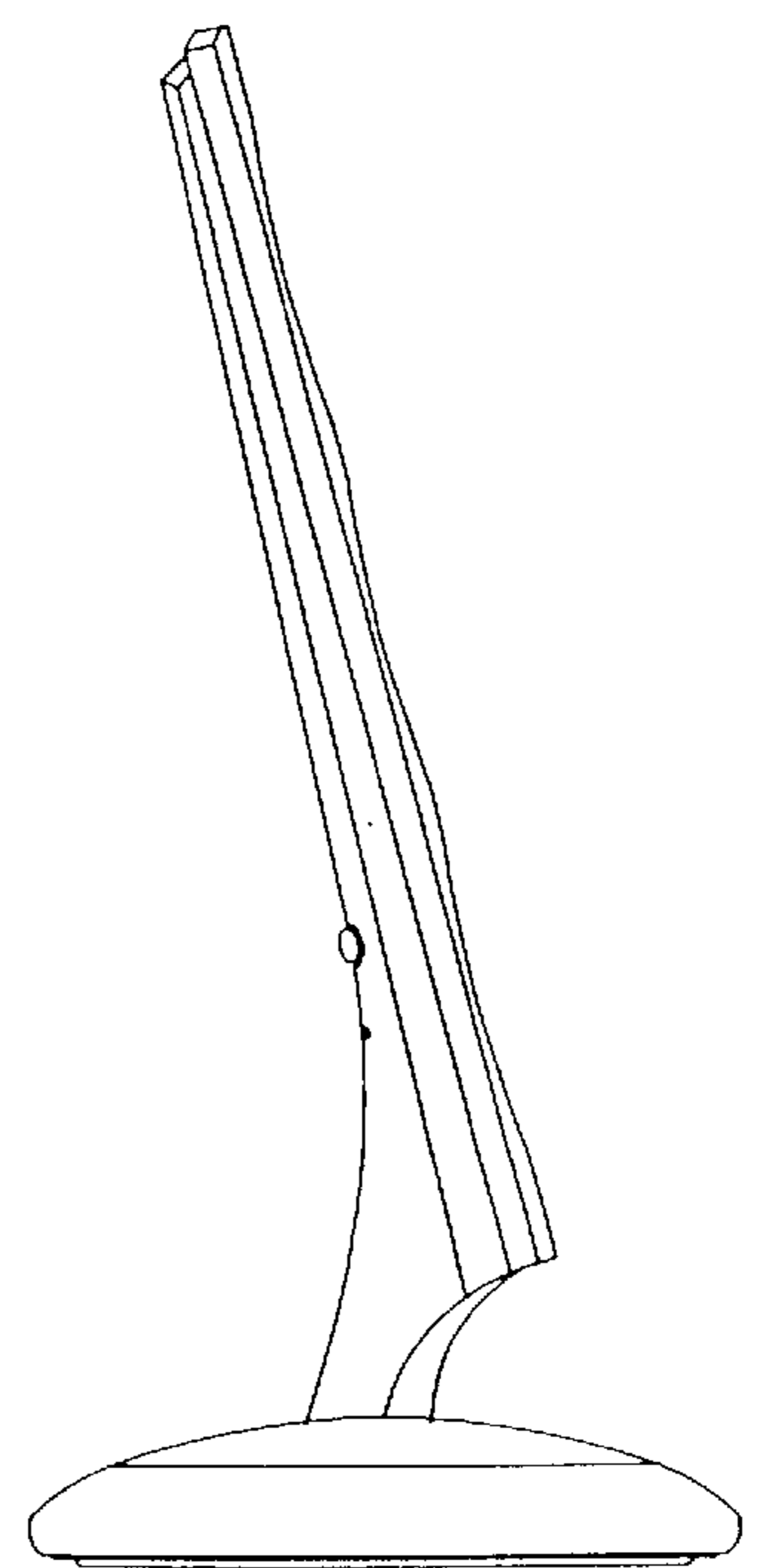


FIG. 5

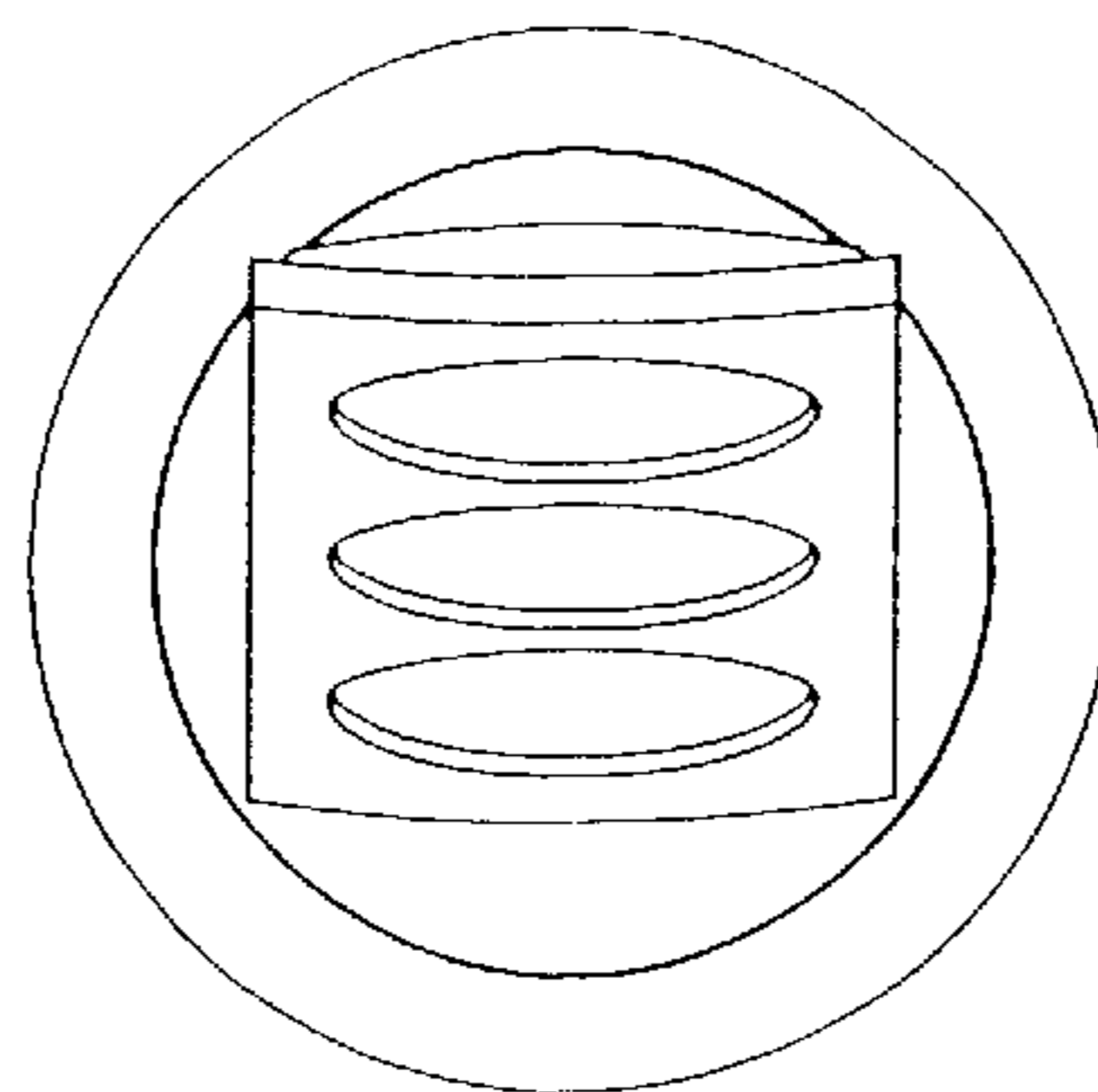


FIG. 7