



US00D478009S

(12) **United States Design Patent**
Kleckauskas et al.

(10) **Patent No.:** **US D478,009 S**

(45) **Date of Patent:** **** Aug. 5, 2003**

(54) **BOTTLE**

(75) Inventors: **Robert Kleckauskas**, St. Charles, IL (US); **Bruce Ronner**, Glencoe, IL (US); **John P. Coursey**, Chicago, IL (US); **Boris Goldstein**, Glenview, IL (US); **Robert Giacolo**, Woodridge, IL (US); **Rita Sifuentes**, Melrose Park, IL (US)

(73) Assignee: **Arrow Plastic Manufacturing Co.**, Elk Grove, IL (US)

(**) Term: **14 Years**

(21) Appl. No.: **29/159,489**

(22) Filed: **Apr. 23, 2002**

(51) **LOC (7) Cl.** **09-01**

(52) **U.S. Cl.** **D9/531**

(58) **Field of Search** D9/516, 517, 523, 524, 528, 530, 531, 535, 536, 542, 543, 563, 567, 571, 572, 573, 574, 575, 527; 206/822, 459.1, 459.5; 215/14, 40, 230, 273, 316; 220/890

(56) **References Cited**

U.S. PATENT DOCUMENTS

D273,661 S	*	5/1984	Widmer	D9/527
D339,022 S	*	9/1993	McGinnis et al.	D7/306
D361,720 S	*	8/1995	Rokus et al.	D9/520
D366,419 S	*	1/1996	Hestehave et al.	D9/520
D370,379 S	*	6/1996	Klein et al.	D7/313
D374,823 S	*	10/1996	Decker et al.	D9/520
D461,131 S	*	8/2002	Leray et al.	D9/524

OTHER PUBLICATIONS

Home Water 2 Gallon Multi-Use Container—1999, 2 pages. JoBar International, Inc. Drink Dispenser, 1 Gallon, 1997 (best available photo).

* cited by examiner

Primary Examiner—Ted Shooman

Assistant Examiner—Daniel Bui

(74) *Attorney, Agent, or Firm*—Wood, Phillips, Katz, Clark & Mortimer

(57) **CLAIM**

The ornamental design for a bottle, substantially as shown and described.

DESCRIPTION

FIG. 1 is a perspective view of a first embodiment of a bottle showing our new design; FIG. 2 is a top plan view thereof; FIG. 3 is a front elevational view thereof; FIG. 4 is a side elevational view thereof; FIG. 5 is a rear plan view thereof; FIG. 6 is a bottom plan view thereof; FIG. 7 is a perspective view of a second embodiment of the design; FIG. 8 is a top plan view thereof; FIG. 9 is a front elevational view thereof; FIG. 10 is a side elevational view thereof; FIG. 11 is a rear elevational view thereof; and, FIG. 12 is a bottom plan view thereof.

1 Claim, 2 Drawing Sheets

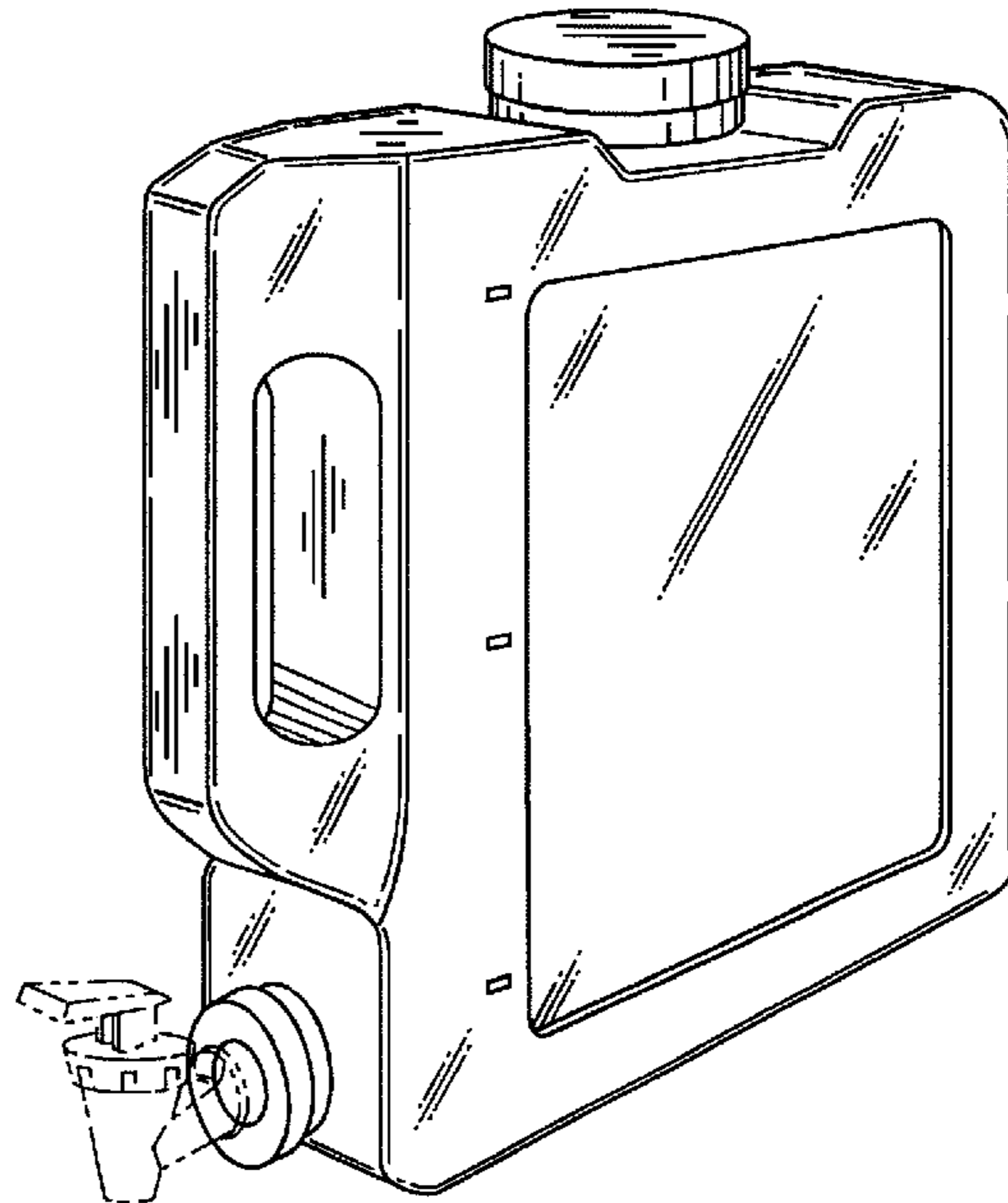
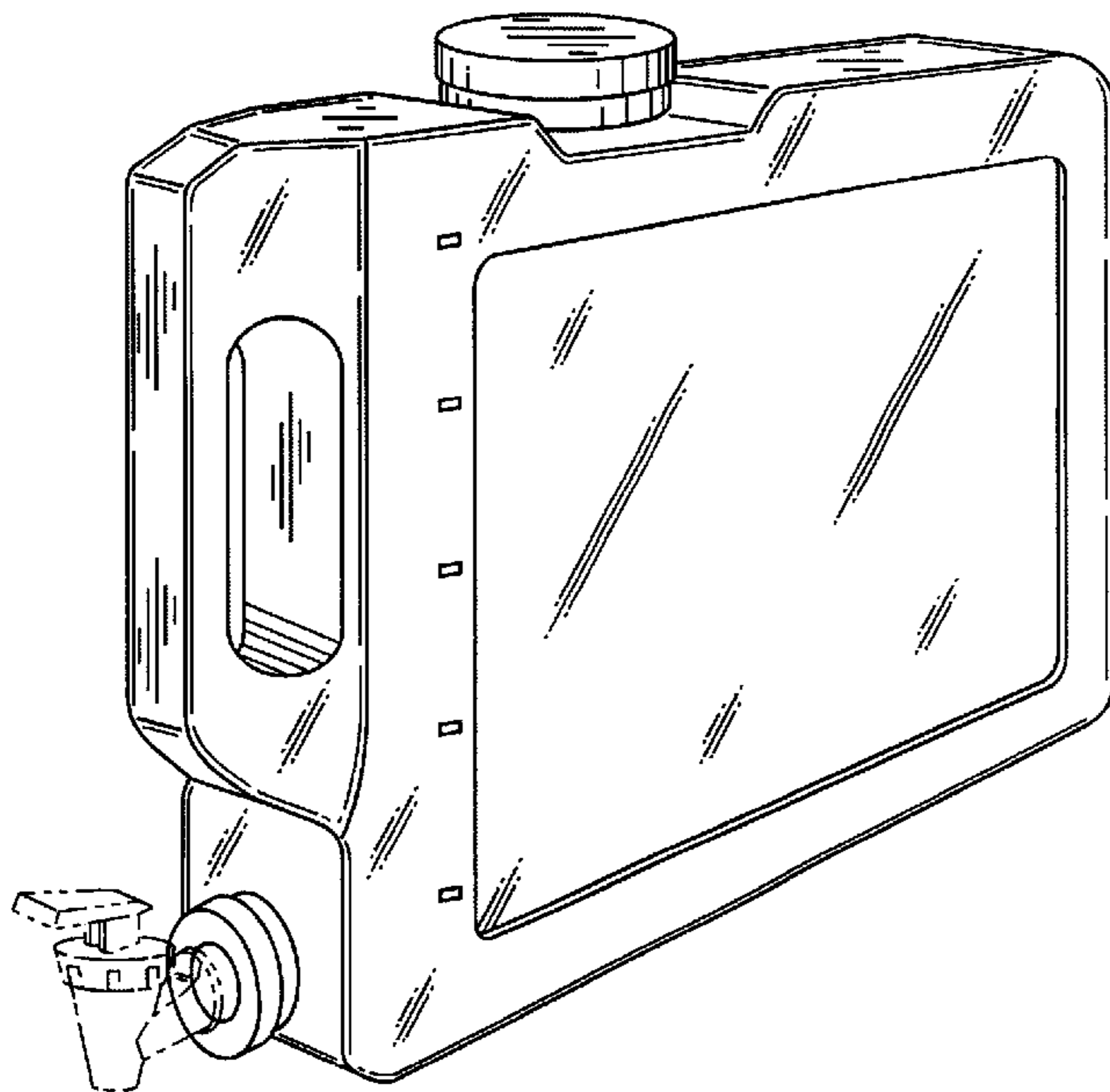


FIG. 1

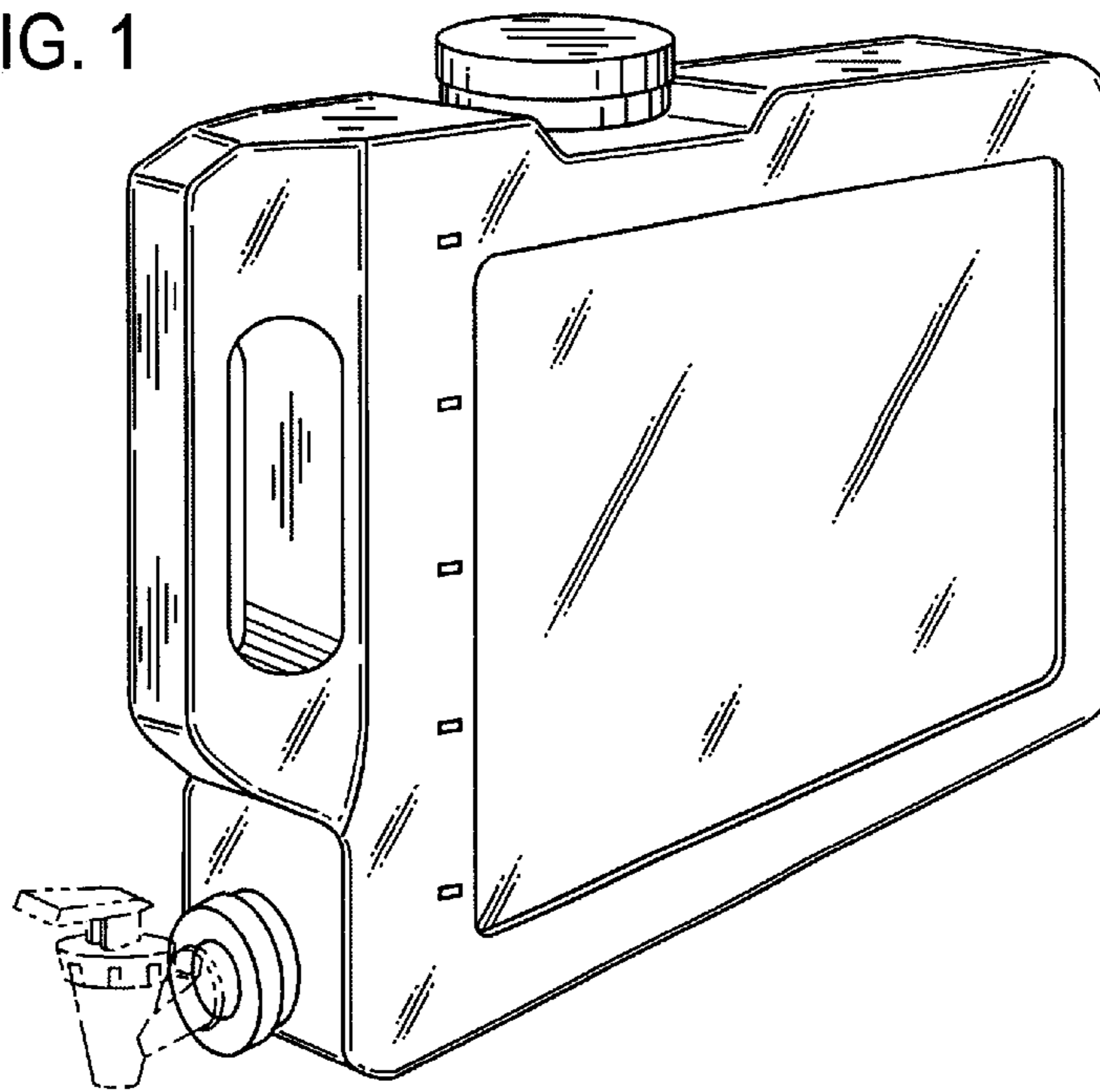


FIG. 2

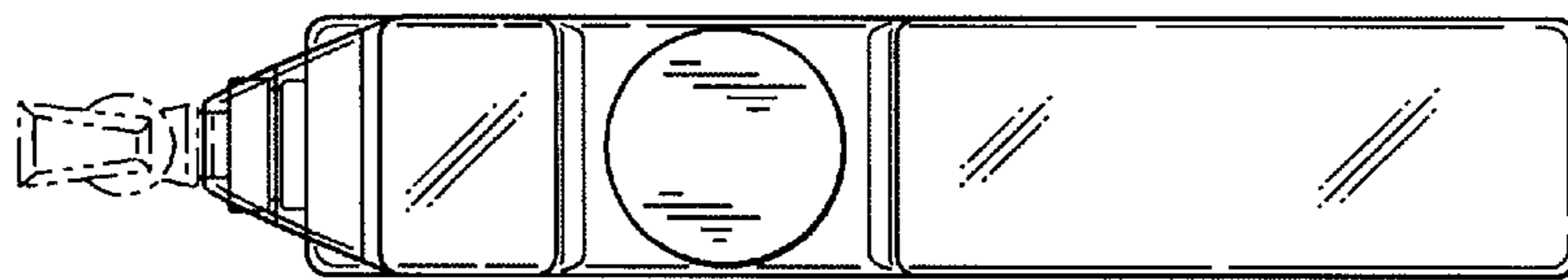


FIG. 3

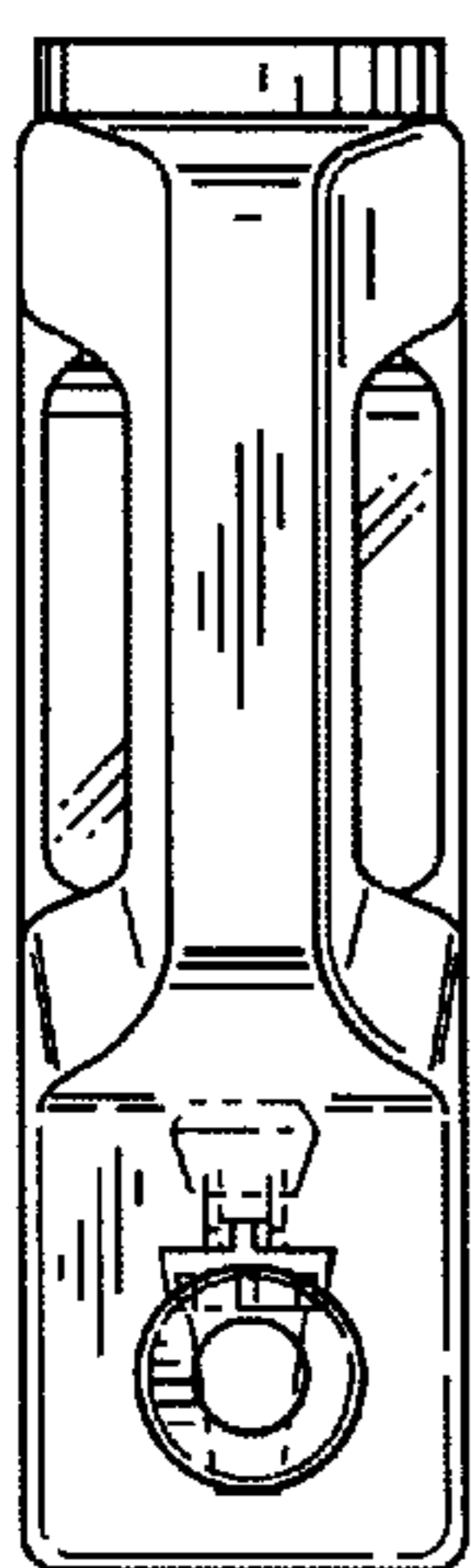


FIG. 4

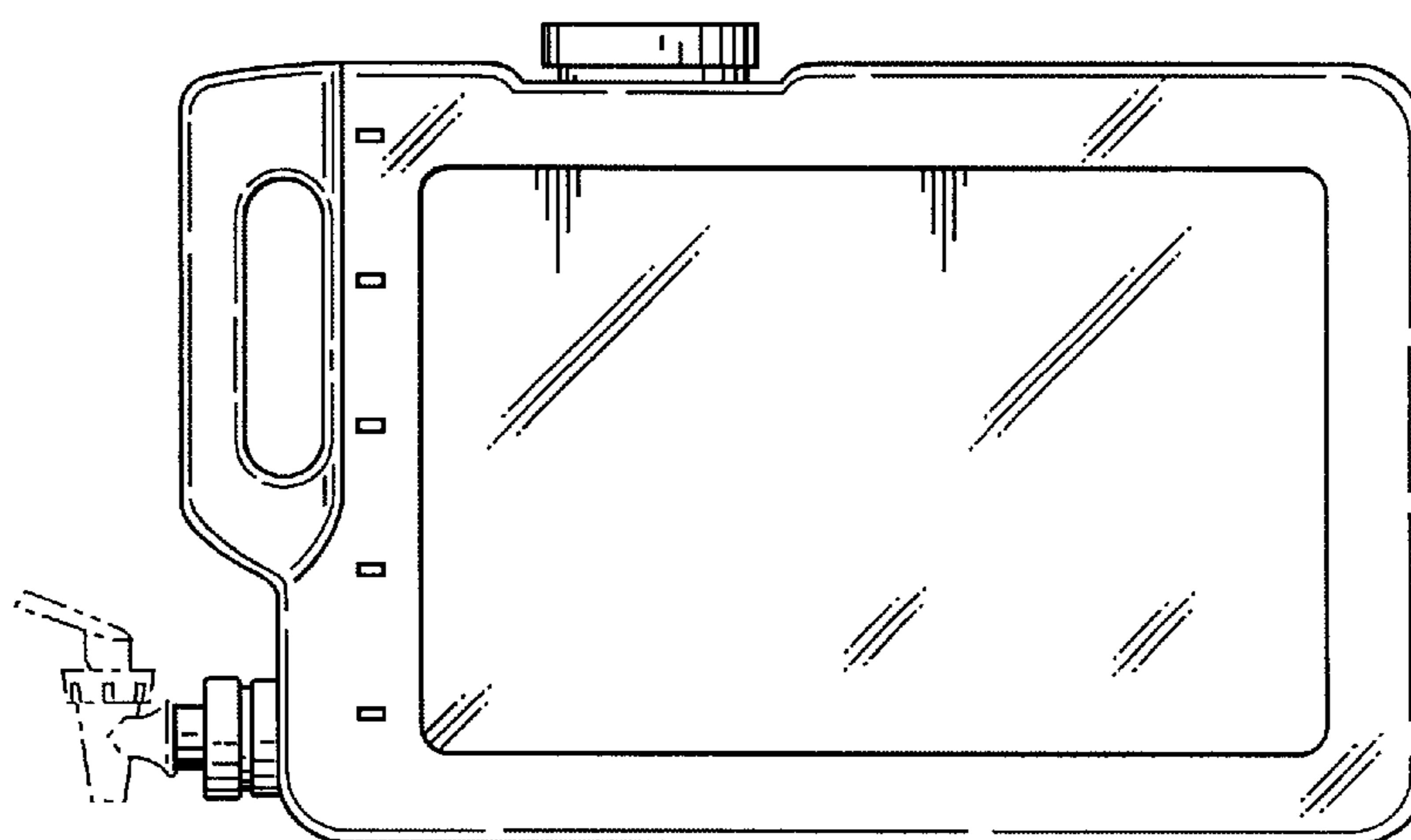


FIG. 5

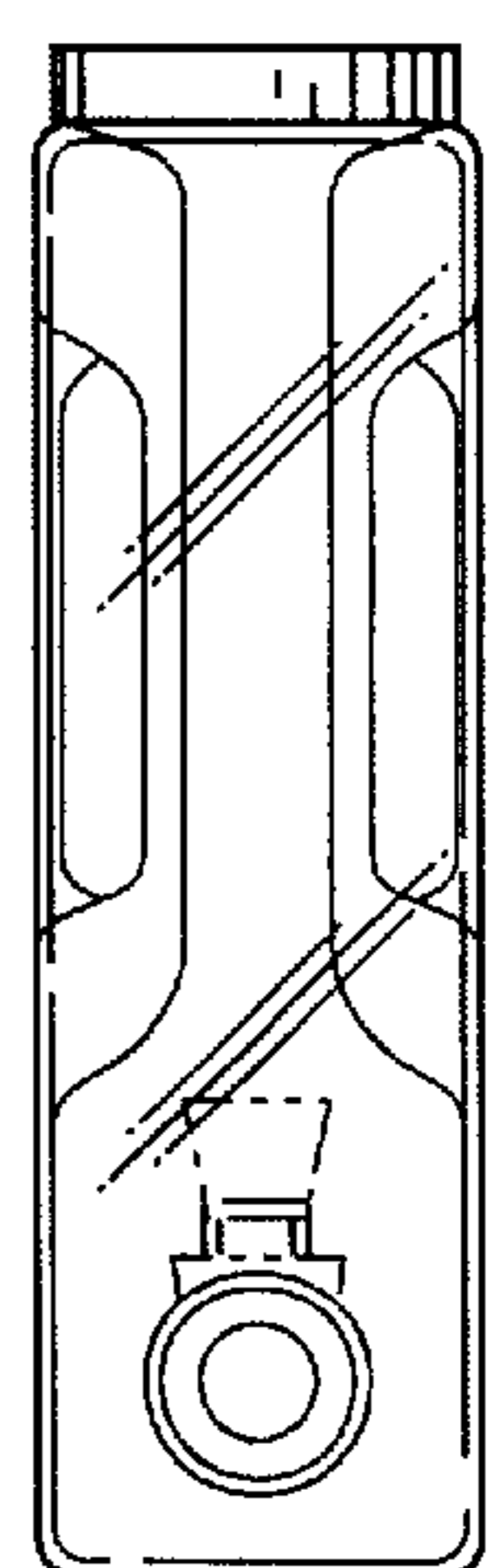


FIG. 6

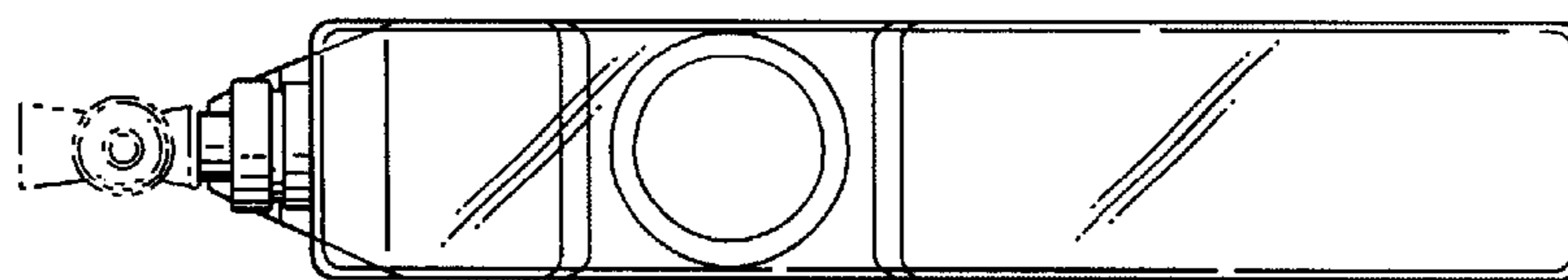


FIG. 7

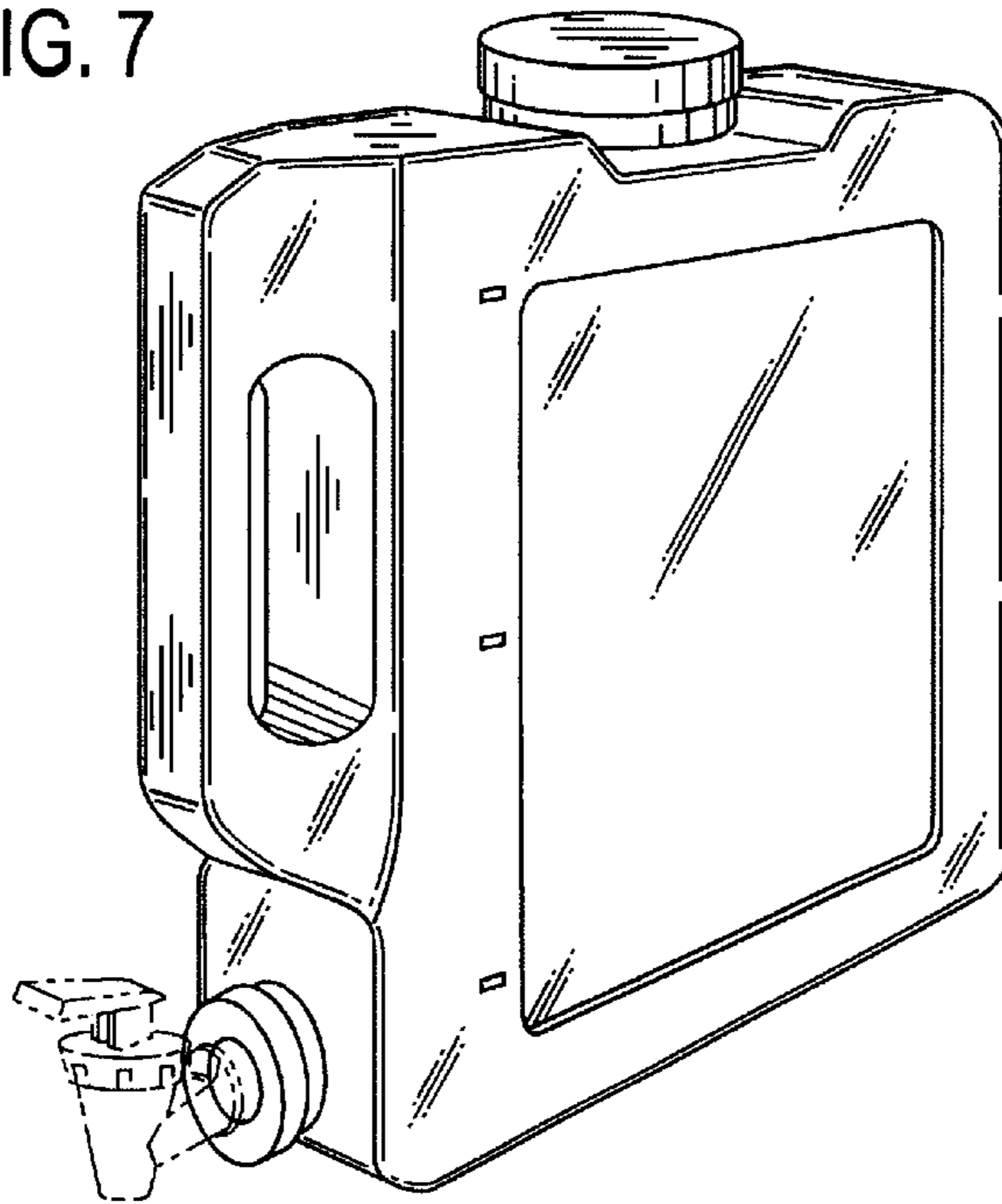


FIG. 8

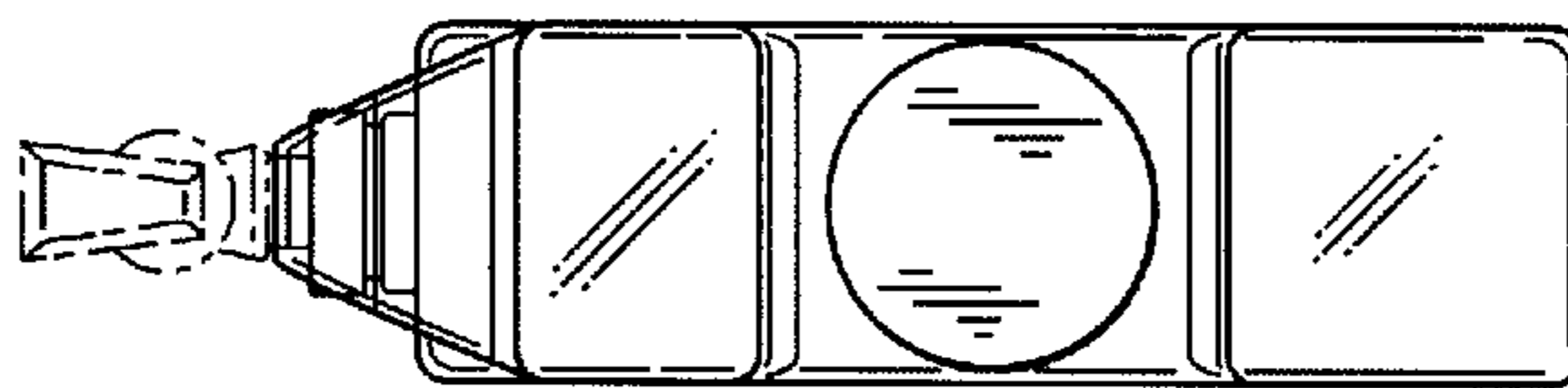


FIG. 9

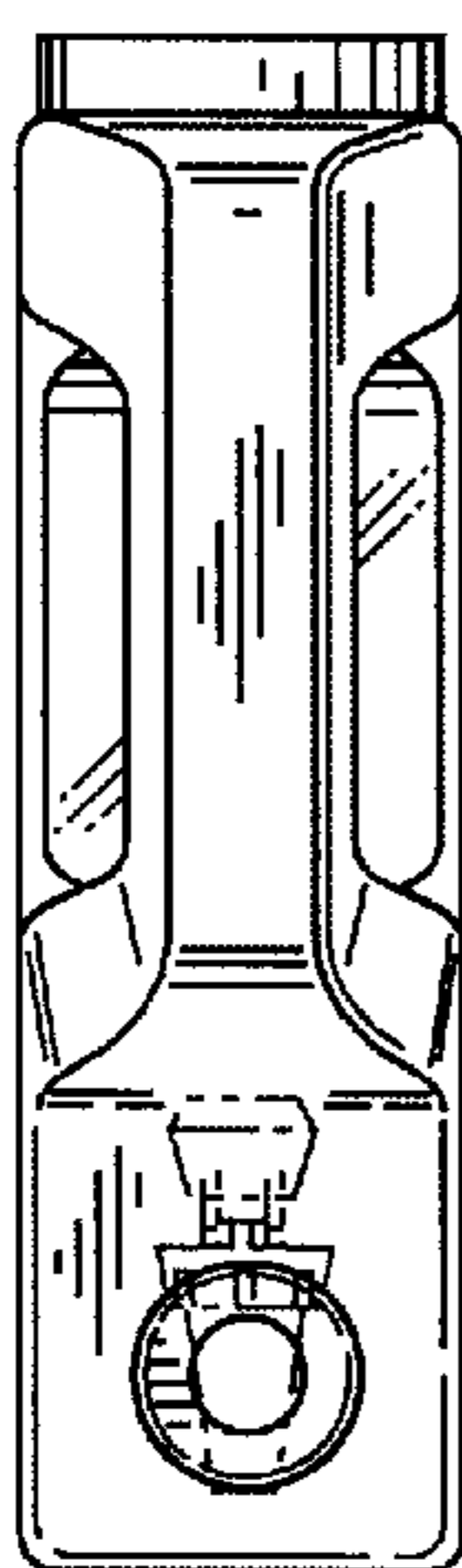


FIG. 10

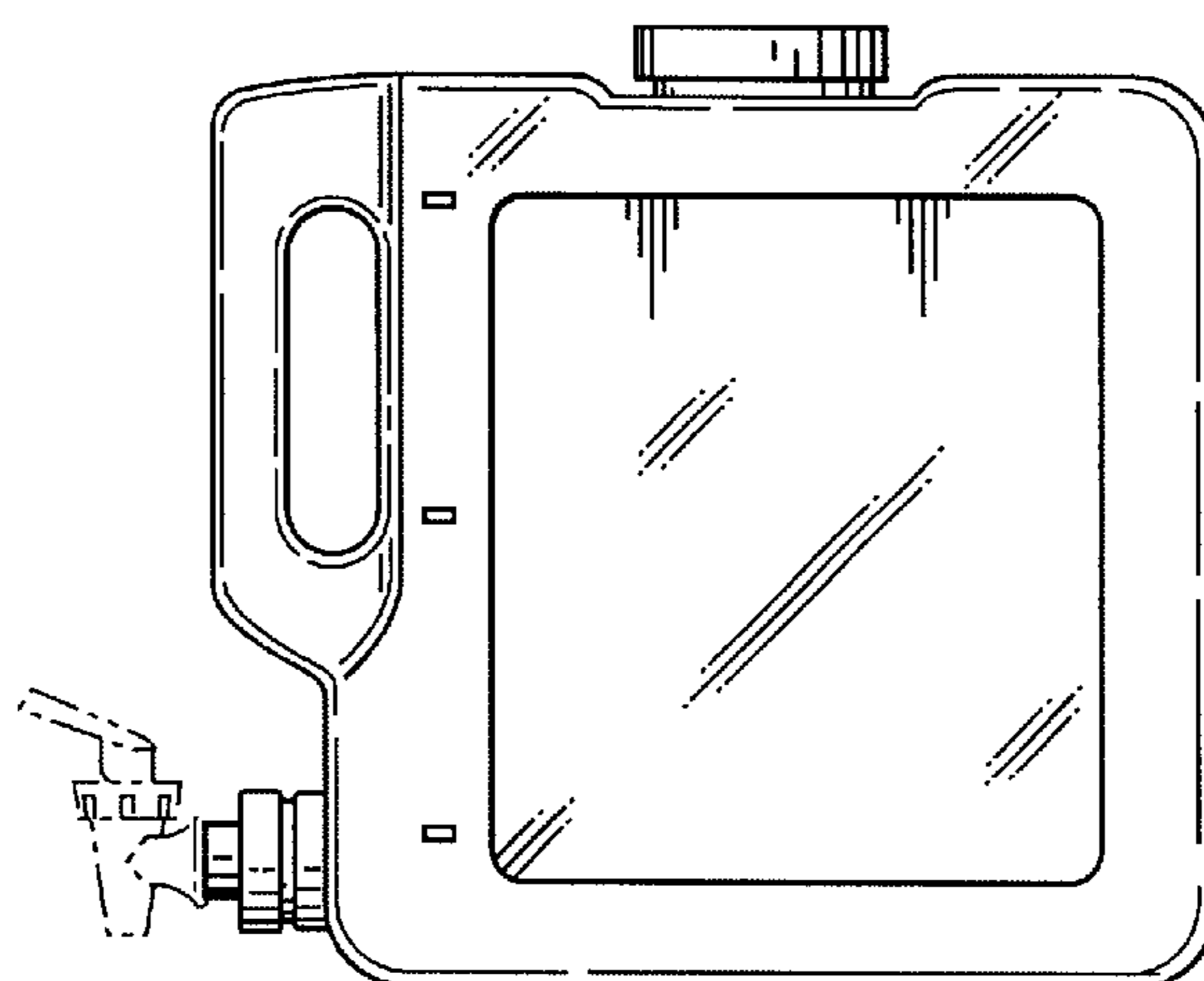


FIG. 11

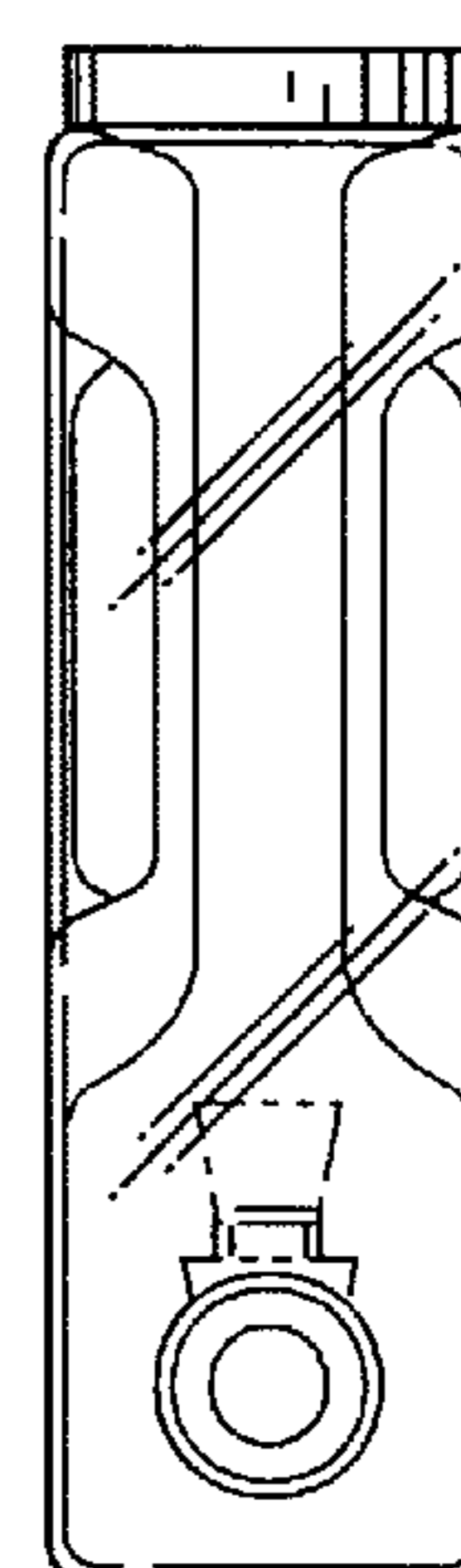


FIG. 12

