



US00D478007S

(12) **United States Design Patent**
Hayer

(10) **Patent No.:** **US D478,007 S**

(45) **Date of Patent:** **** Aug. 5, 2003**

(54) **REUSABLE HANDLE FOR JUICE AND MILK CARTONS**

4,966,303 A 10/1990 Jones
5,484,182 A 1/1996 Meisner
D370,384 S * 6/1996 Shamis D7/622
6,241,415 B1 6/2001 Stark

(76) Inventor: **Ajaib Hayer**, 794 Balatron Avenue,
Pickering, Ontario (CA), L1W-1W6

* cited by examiner

(**) Term: **14 Years**

Primary Examiner—Louis S. Zarfaz
Assistant Examiner—Gregory Andoll
(74) *Attorney, Agent, or Firm*—Donald R. Schoonover

(21) Appl. No.: **29/176,004**

(22) Filed: **Feb. 19, 2003**

(57) **CLAIM**

(51) **LOC (7) Cl.** **09-07**

I claim the ornamental design for a reusable handle for juice and milk cartons, as shown and described.

(52) **U.S. Cl.** **D9/455; D7/622**

(58) **Field of Search** D9/455; D7/622;
215/395; 294/31.1, 31.2, 33; 229/117.19,
117.23

DESCRIPTION

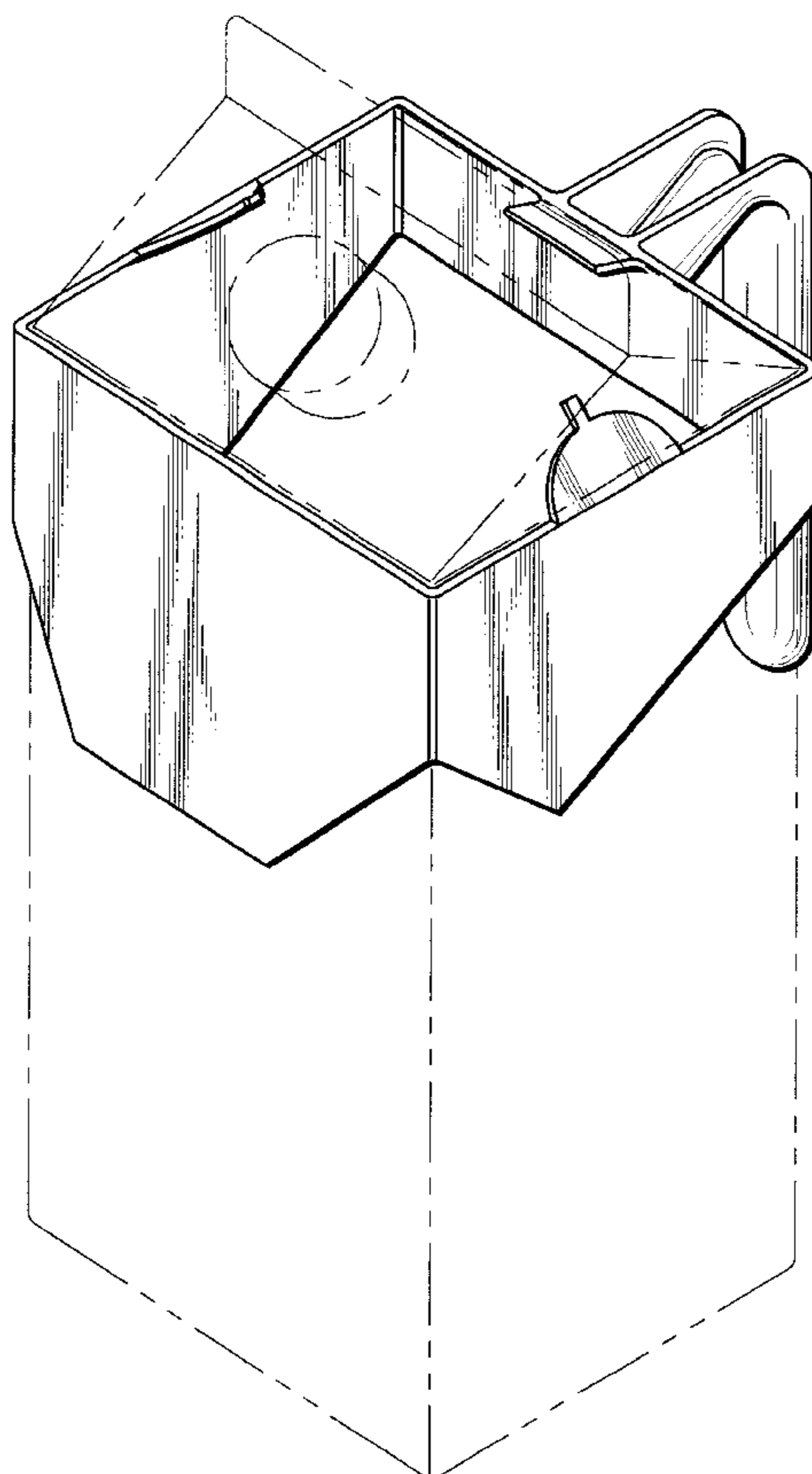
(56) **References Cited**

U.S. PATENT DOCUMENTS

626,262 A	6/1899	Wright	
3,017,215 A	*	1/1962 Galipeau	294/31.1
3,024,943 A	*	3/1962 Yeager	294/31.2
D194,365 S	*	1/1963 Eicholtz	D7/622
D203,403 S	*	1/1966 Martini	D7/622
3,261,635 A		7/1966 Talay	
D215,328 S	*	9/1969 Fera	D7/622
3,615,115 A	*	10/1971 Simms	294/31.2
D265,279 S		7/1982 Wright	
4,379,578 A		4/1983 Schuler	
4,842,158 A		6/1989 Reyes, Jr.	

FIG. 1 is a perspective view of a reusable handle for juice and milk cartons showing my new design;
FIG. 2 is a front elevational view thereof;
FIG. 3 is a left side elevational view thereof, the right side elevational view being a mirror image thereof;
FIG. 4 is a top plan view thereof; and
FIG. 5 is a rear elevational view thereof;
FIG. 6 is a bottom plan view thereof; and,
FIG. 7 is a perspective view showing the reusable handle for juice and milk cartons in use; the broken lines depict environmental structure for illustrative purposes only and form no part of the claimed design.

1 Claim, 4 Drawing Sheets



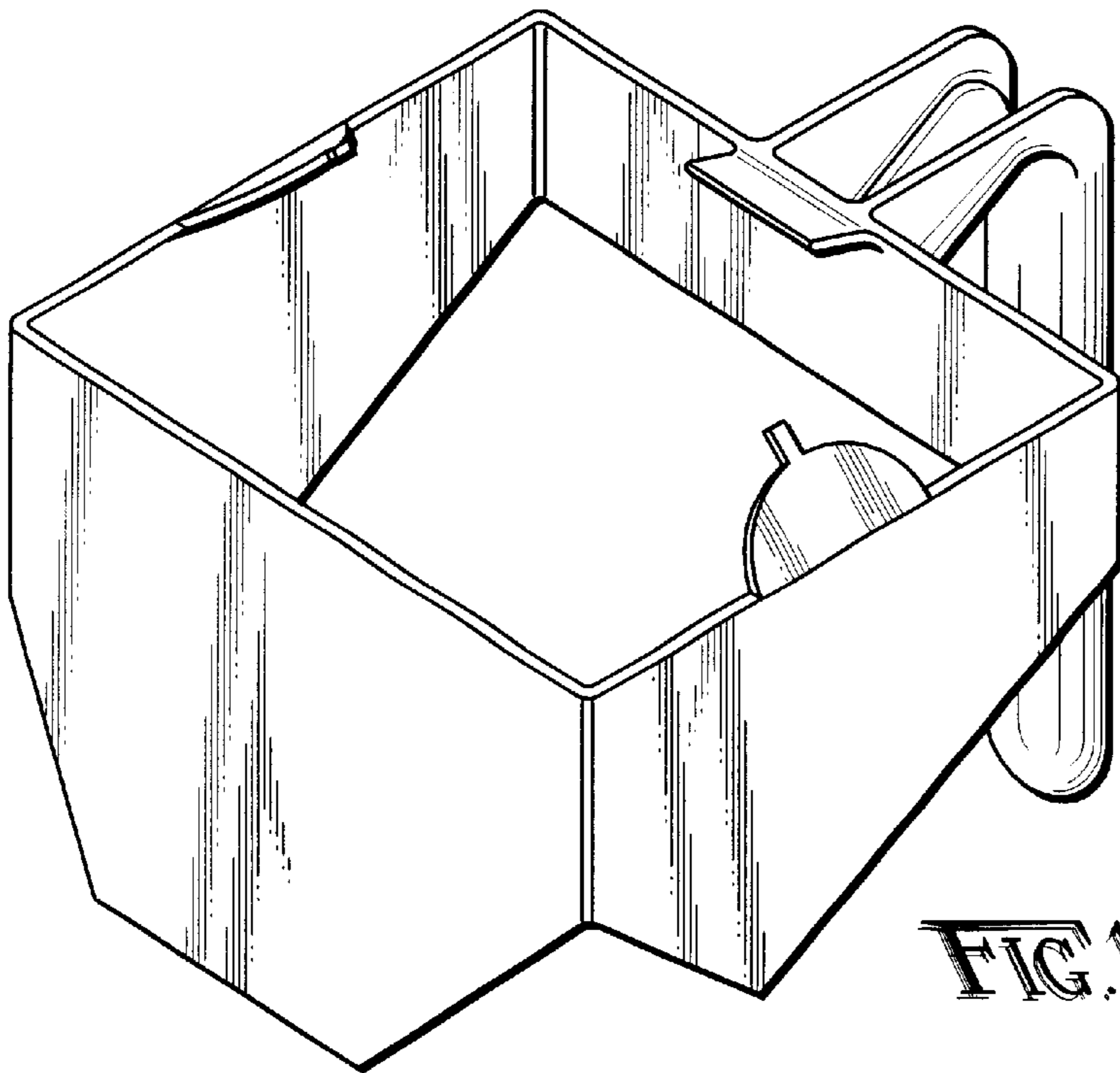


FIG. 1

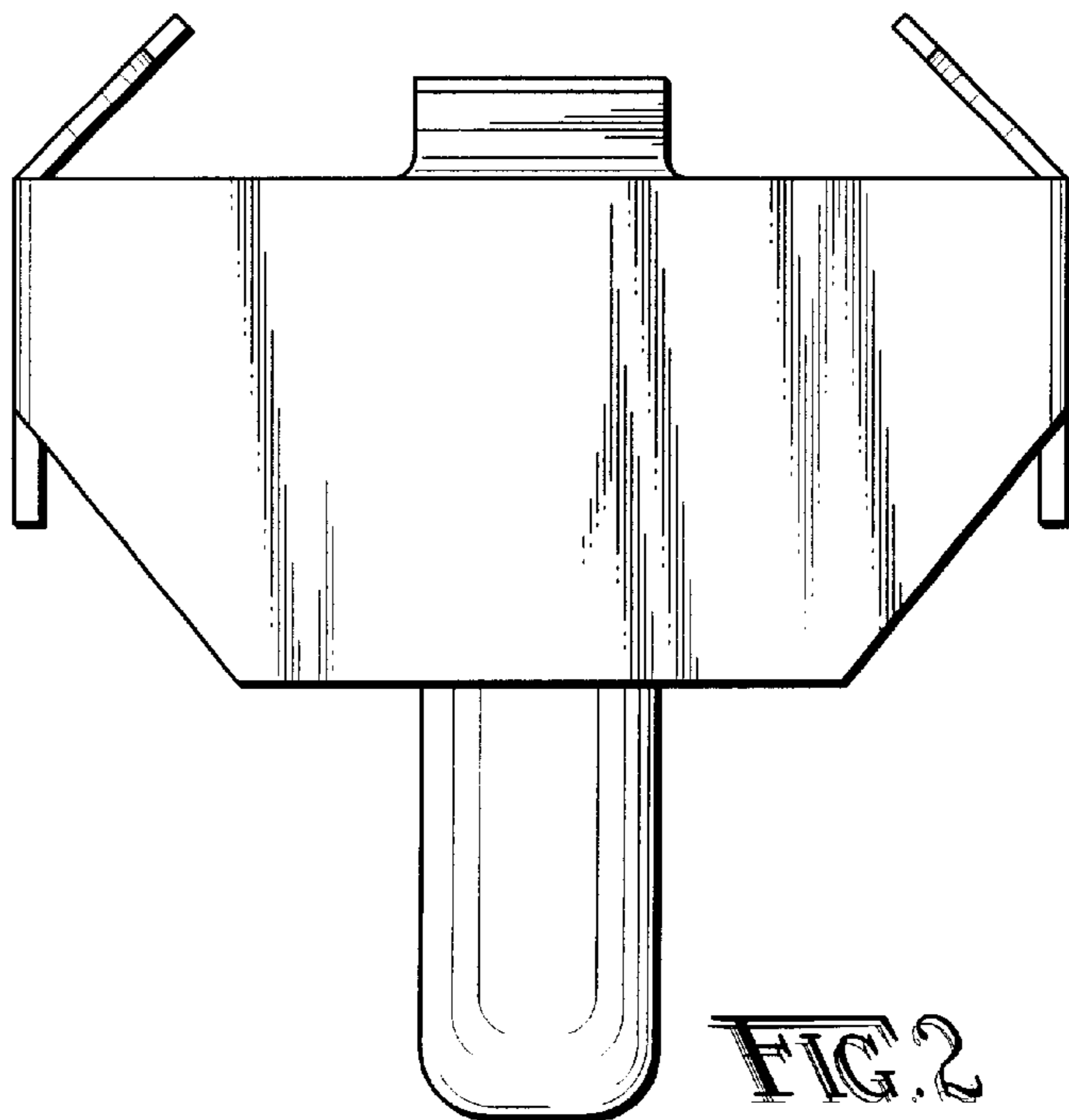


FIG. 2

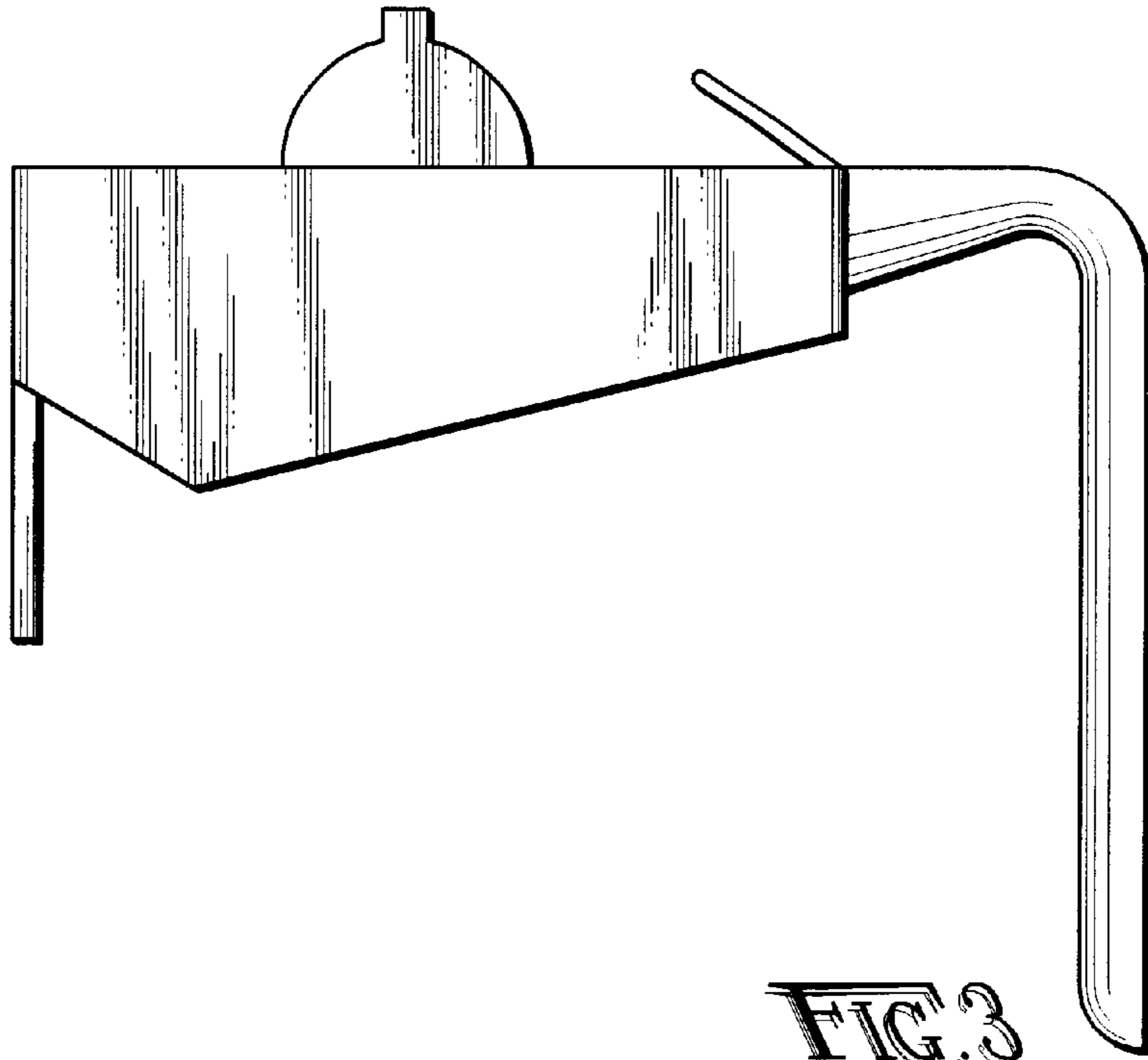


FIG. 3

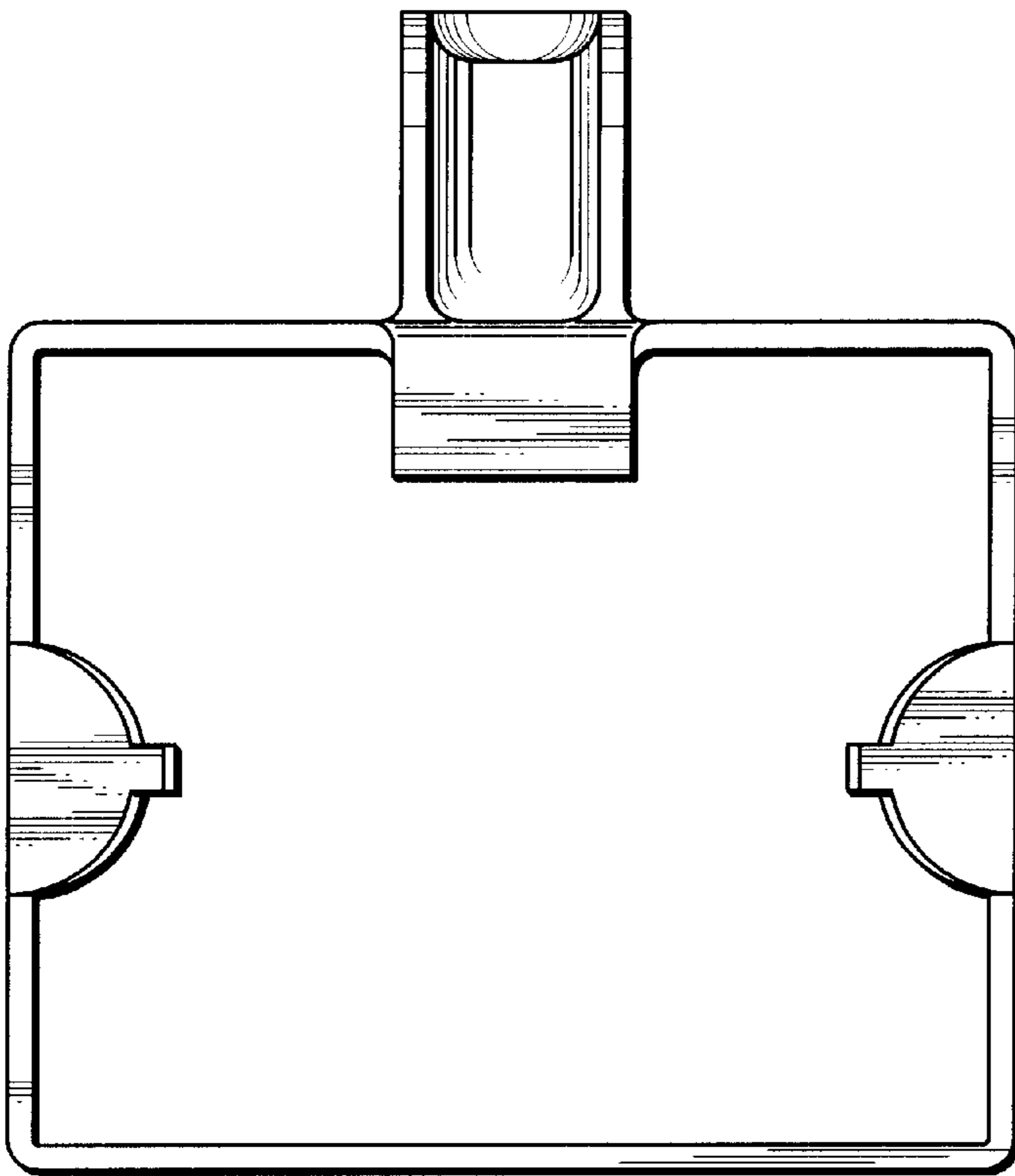


FIG. 4

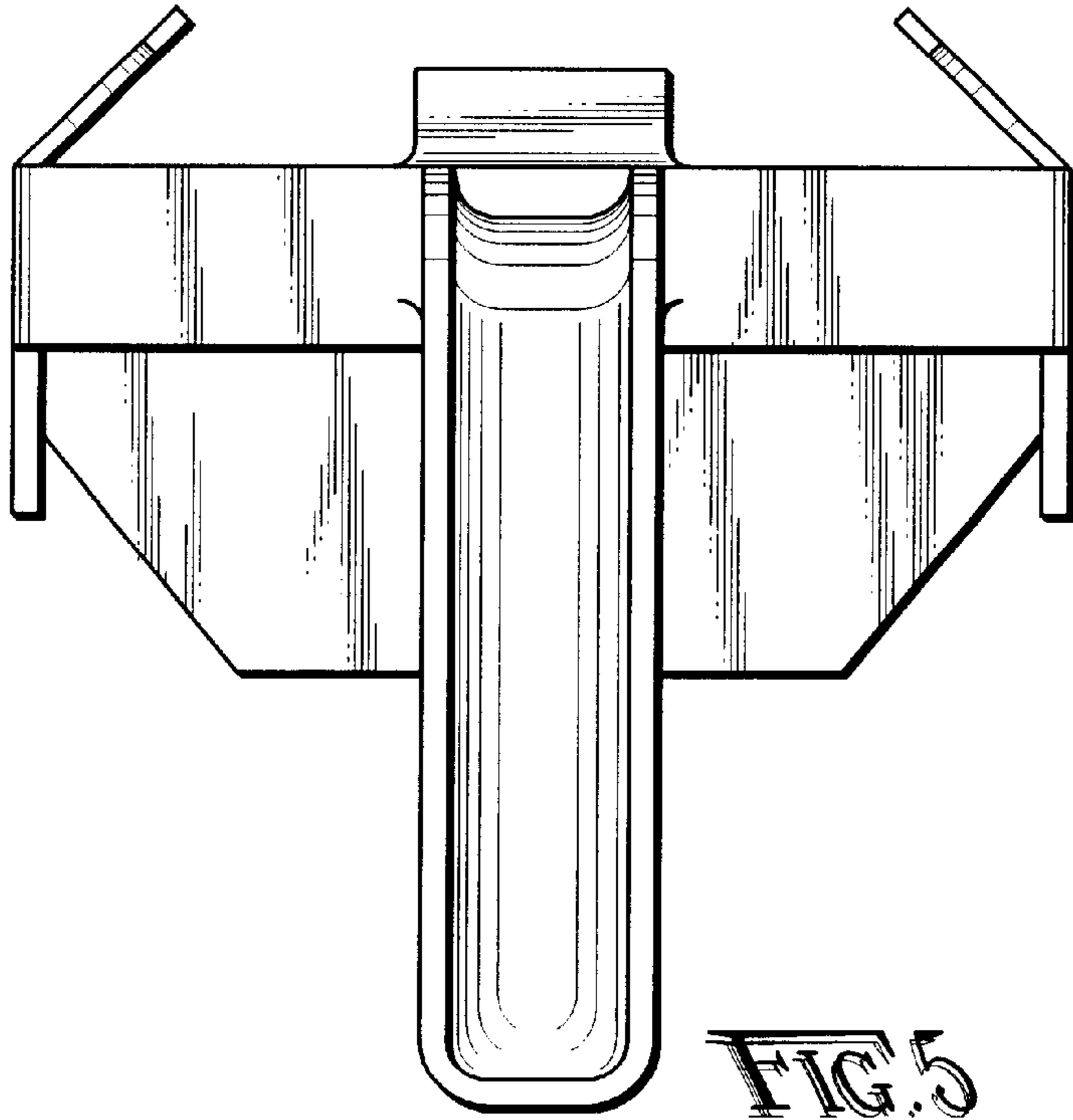


FIG. 5

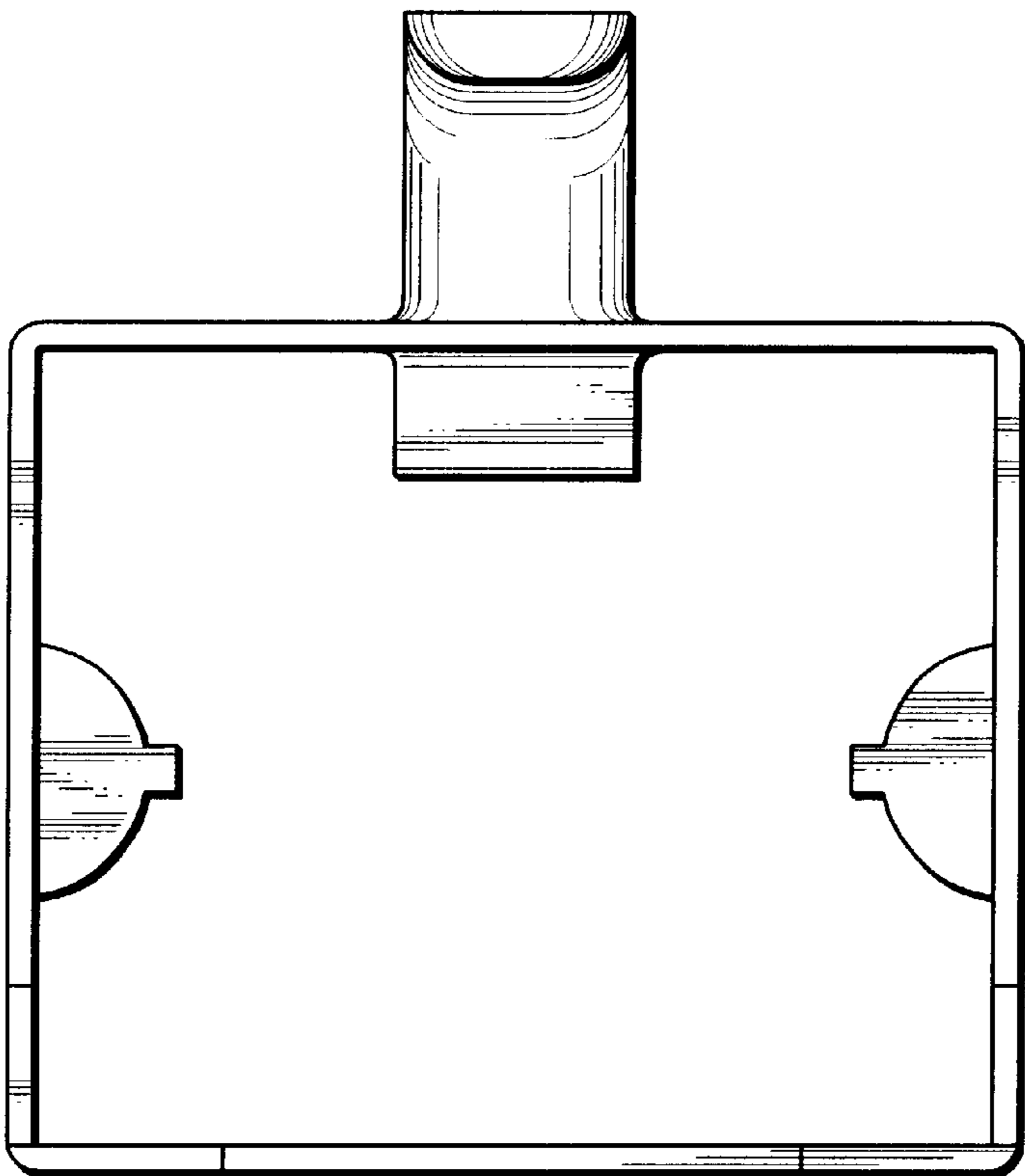


FIG. 6

