



US00D478006S

(12) **United States Design Patent** (10) Patent No.: **US D478,006 S**
Smith et al. (45) Date of Patent: **** Aug. 5, 2003**

(54) **RECLOSABLE CONTAINER LID**

(75) Inventors: **Stephen Alan Smith**, Naperville, IL (US); **Warren Giles Wiedmeyer**, Trevor, WI (US); **John Stewart Gitschlag**, Chicago, IL (US); **James Tam Joines, Jr.**, Gurnee, IL (US); **Bryce G. Rutter**, St. Louis, MO (US); **Brian C. Bone**, St. Louis, MO (US)

(73) Assignee: **Solo Cup Company**, Highland Park, IL (US)

(**) Term: **14 Years**

(21) Appl. No.: **29/165,203**

(22) Filed: **Aug. 5, 2002**

Related U.S. Application Data

(63) Continuation-in-part of application No. 09/923,763, filed on Aug. 6, 2001.

(51) **LOC (7) Cl.** **09-07**

(52) **U.S. Cl.** **D9/447; D9/449; D9/450**

(58) **Field of Search** D9/434, 435, 438, D9/447, 450, 449, 454; D7/511, 510, 200; 215/307, 316, 317, 324, 387; 220/200, 306, 307, 711, 713, 719, 203.05, 203.06, 253

References Cited

U.S. PATENT DOCUMENTS

1,237,228 A 8/1917 Westover

1,896,976 A 2/1933 Schifferdecker

2,121,554 A 6/1938 Thorn 221/64

3,031,111 A 4/1962 Stull 222/541

3,083,861 A 4/1963 Amberg et al. 220/44

3,188,036 A 6/1965 Sprung 248/205

3,193,130 A 7/1965 Miller 220/44

3,262,612 A 7/1966 Tabor 222/484

3,326,401 A 6/1967 De Long 215/38

3,459,324 A 8/1969 Miller 220/44

3,805,991 A 4/1974 Cheladze et al. 220/44

3,874,580 A 4/1975 Weatherhead, III 229/5.5

4,091,956 A 5/1978 Vecchio 220/231

4,138,033 A 2/1979 Payne et al. 220/254

4,141,461 A 2/1979 LaChance 220/253

4,183,443 A 1/1980 DeParales et al. 220/90.4

4,188,457 A 2/1980 Throp 428/542

4,331,255 A 5/1982 Fournier 220/259

4,333,583 A 6/1982 Montemarano 220/90.4

4,345,695 A 8/1982 Galloway et al. 220/254

4,347,946 A 9/1982 Nichols 220/375

4,350,260 A 9/1982 Prueher 220/254

4,361,249 A 11/1982 Tuneski et al. 220/254

4,420,092 A 12/1983 Finkelstein 220/254

4,441,624 A 4/1984 Sokolowski 220/254

4,449,640 A 5/1984 Finkelstein 220/270

4,503,992 A 3/1985 Sitko et al. 220/90.4

4,557,398 A 12/1985 Hambleton et al. 220/270

4,570,817 A 2/1986 Hambleton et al. 220/345

4,579,245 A 4/1986 Narushko 220/253

4,589,569 A 5/1986 Clements 220/380

4,598,837 A 7/1986 Kreiseder et al. 220/253

4,619,372 A 10/1986 McFarland 220/90.4

4,629,088 A 12/1986 Durgin 220/254

4,657,139 A 4/1987 Hanifl 220/336

D292,889 S * 11/1987 Ostrowsky D9/447

4,705,197 A 11/1987 Gordon et al. 206/604

4,718,570 A 1/1988 Diener 220/253

4,738,373 A 4/1988 DeParales 220/254

4,741,450 A 5/1988 Braude 220/90.4

4,770,325 A 9/1988 Gordon et al. 222/481

4,782,975 A 11/1988 Coy 220/90.4

4,790,444 A 12/1988 Terzi 220/90.2

4,792,054 A 12/1988 Weidman 222/23

4,796,774 A 1/1989 Nabinger 220/90.4

4,863,051 A 9/1989 Eibner et al. 215/261

4,869,389 A 9/1989 Cerrone, Jr. 220/90.2

4,899,902 A 2/1990 DeMars 220/254

4,915,250 A 4/1990 Hayes, Jr. 220/90.4

4,932,555 A 6/1990 La Barge 220/375

4,938,379 A 7/1990 Kellner 220/370

4,949,865 A 8/1990 Turner 220/254

4,953,743 A 9/1990 Dart et al. 220/369

5,012,061 A 4/1991 Lesser 519/10.55

5,111,961 A 5/1992 Van Melle 220/712

D327,428 S * 6/1992 Perrotta D9/435

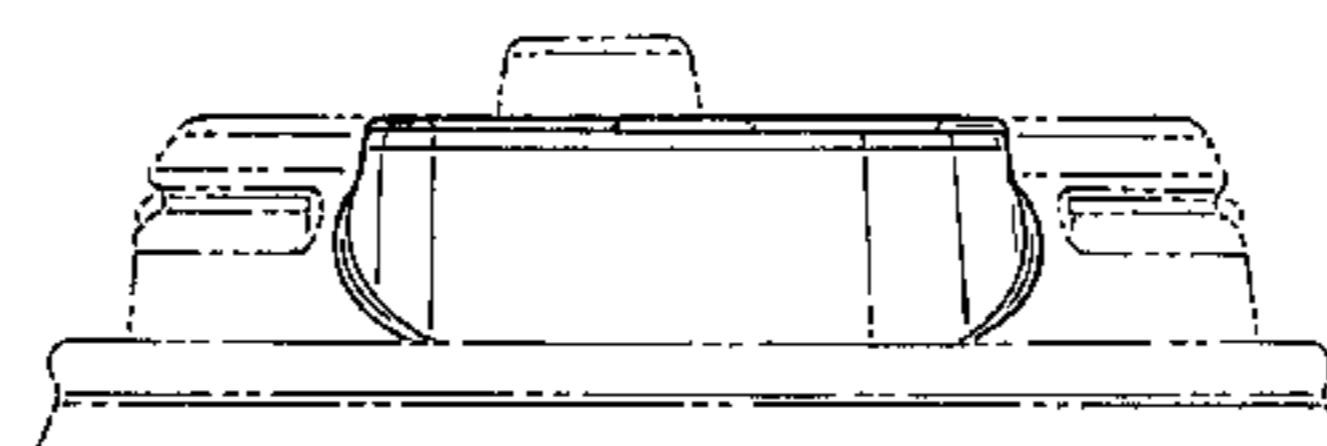
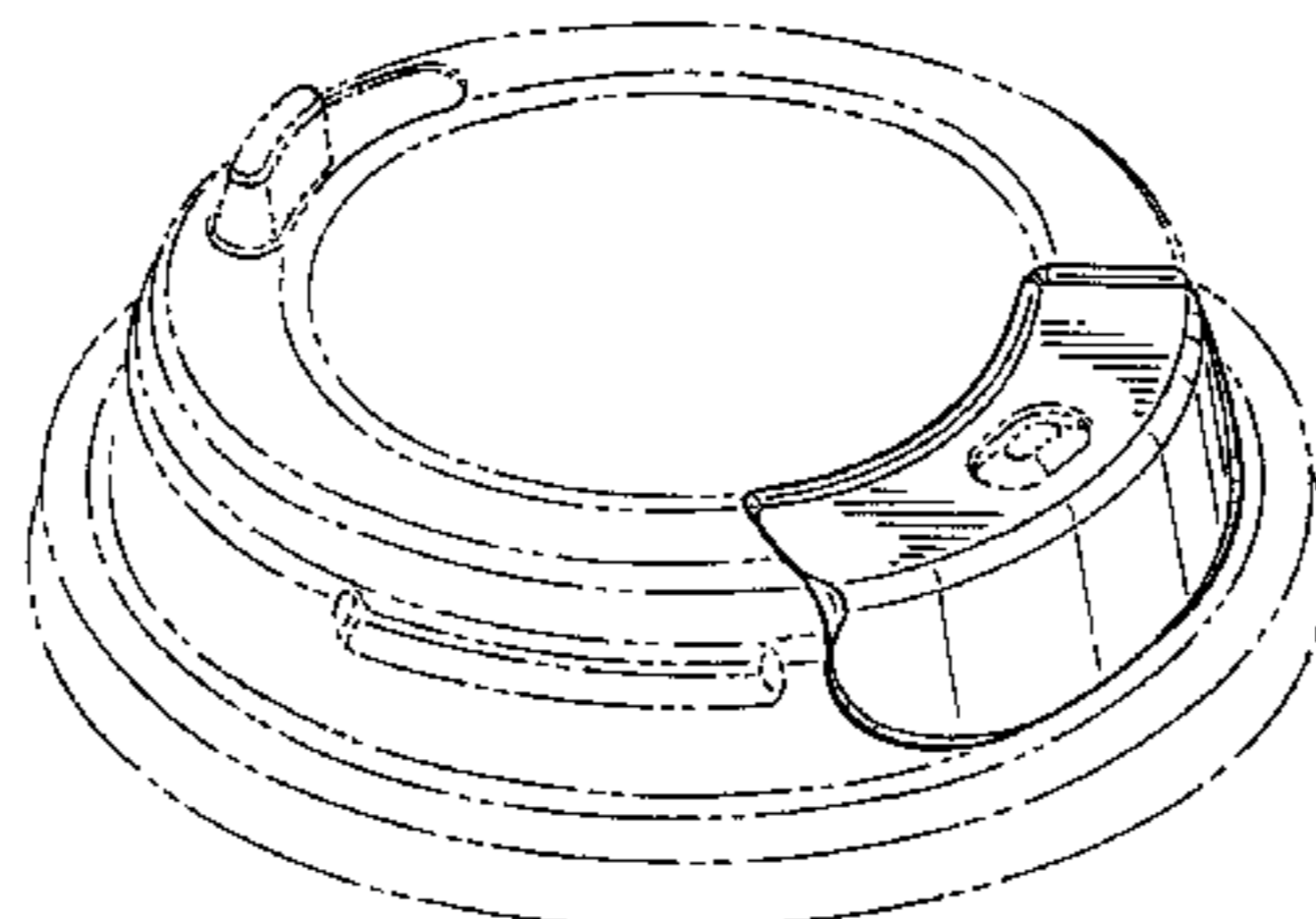
5,148,936 A 9/1992 DeGrow 220/254

5,167,338 A 12/1992 Kick 220/253

5,180,073 A 1/1993 Fay et al. 215/161

5,183,172 A 2/1993 Boller 220/270

5,193,704 A 3/1993 Kick 220/253



5,197,624 A	3/1993	Doddaro	220/254
5,205,430 A	4/1993	Valyi	220/278
5,395,006 A	3/1995	Verma	220/371
5,398,843 A	3/1995	Warden et al.	220/711
5,415,312 A	5/1995	Mueller	220/254
5,421,472 A	6/1995	Beckertgis	220/253
5,449,085 A	9/1995	Brun, Jr.	220/253
5,485,938 A	1/1996	Boersma	220/714
5,490,609 A	2/1996	Lane et al.	220/712
5,495,941 A	3/1996	Leonard	206/366
5,497,920 A	3/1996	Moeller et al.	2224/36
5,503,289 A	4/1996	Fox	220/254
5,503,662 A	4/1996	Berger	96/108
5,588,561 A	12/1996	Ness	222/129
5,613,619 A	3/1997	Van Melle	220/712
5,699,927 A	12/1997	Lane et al.	220/254
5,706,972 A	1/1998	Sousa	220/714
5,718,353 A	2/1998	Kanfer et al.	221/63
5,727,707 A	3/1998	Wickland et al.	220/288
5,766,660 A	6/1998	Lee et al.	426/118
5,775,205 A	7/1998	Melton	99/322
5,839,601 A	11/1998	Van Melle	220/712
D402,556 S *	12/1998	Frye	D9/447
5,866,184 A	2/1999	Gorlich et al.	426/396
5,873,298 A	2/1999	Chang	99/340
D407,977 S *	4/1999	Farris	D9/454
5,913,964 A	6/1999	Melton	99/322
5,947,319 A	9/1999	Sinski	220/318
5,947,323 A	9/1999	Freek et al.	220/709
5,954,241 A	9/1999	Huang	222/548
5,979,689 A	11/1999	Lansky	220/255
5,996,837 A	12/1999	Freek et al.	220/713
6,003,711 A	12/1999	Bilewitz	220/253
D418,363 S *	1/2000	Barnes et al.	D9/447
6,010,029 A	1/2000	Wang	220/714
D420,550 S *	2/2000	Elshof	D7/510
6,089,397 A	7/2000	Van Melle	220/270
6,095,033 A	8/2000	Melton	99/323.3
6,176,384 B1	1/2001	Voloshin	220/253
6,199,711 B1	3/2001	Lansky	220/255
6,216,904 B1	4/2001	Cagan	220/253
6,220,470 B1	4/2001	McHenry et al.	220/254

6,305,571 B1 10/2001 Chu 220/719

FOREIGN PATENT DOCUMENTS

CH	393 955	11/1965
GB	1 600 917	10/1981
JP	07-390379	11/1995
WO	WO 99 47429	9/1999
WO	WO 00 51908	9/2000

OTHER PUBLICATIONS

US 6,003,721, 12/1999, Fleming (withdrawn)
Berrington, N., *International Search Report*, Sep. 4, 2002, 6 pp., Patent Cooperation Treaty, Rijswijk, Netherlands.

* cited by examiner

Primary Examiner—Louis S. Zarfes
Assistant Examiner—Gregory Andoll
(74) *Attorney, Agent, or Firm*—Wallenstein & Wagner, Ltd.

(57) CLAIM

The ornamental Design for a reclosable container lid, as shown and described.

DESCRIPTION

FIG. 1 is a perspective view of a reclosable container lid of the invention;
FIG. 2 is a side view of the reclosable container lid of FIG. 1;
FIG. 3 is a side view of the reclosable container lid of FIG. 1;
FIG. 4 is a side view of the reclosable container lid of FIG. 1; and,
FIG. 5 is a top view of the reclosable container lid of FIG. 1.
The broken lines in the Figures form no part of the claimed design.

1 Claim, 2 Drawing Sheets

FIG. 1

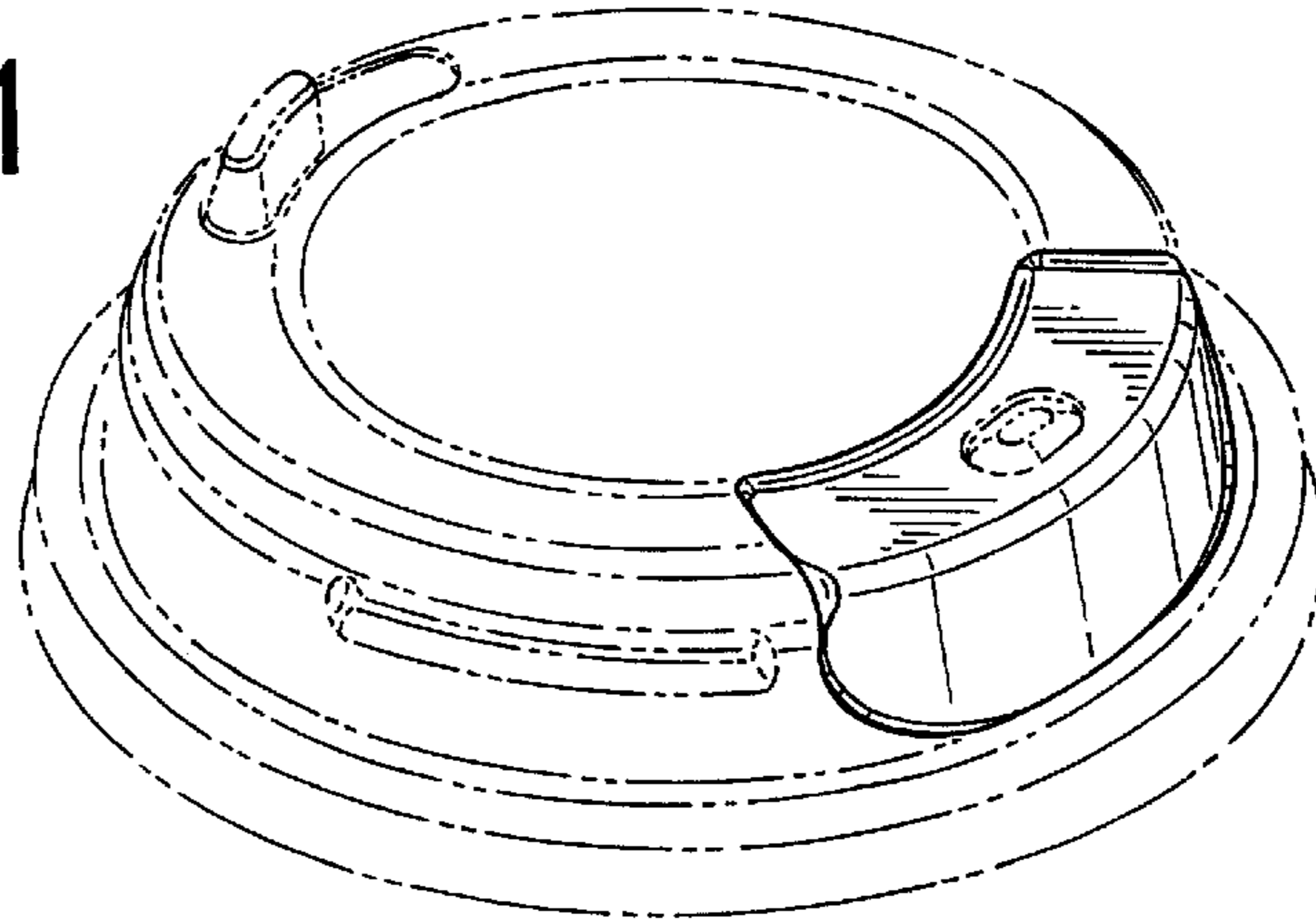


FIG. 2

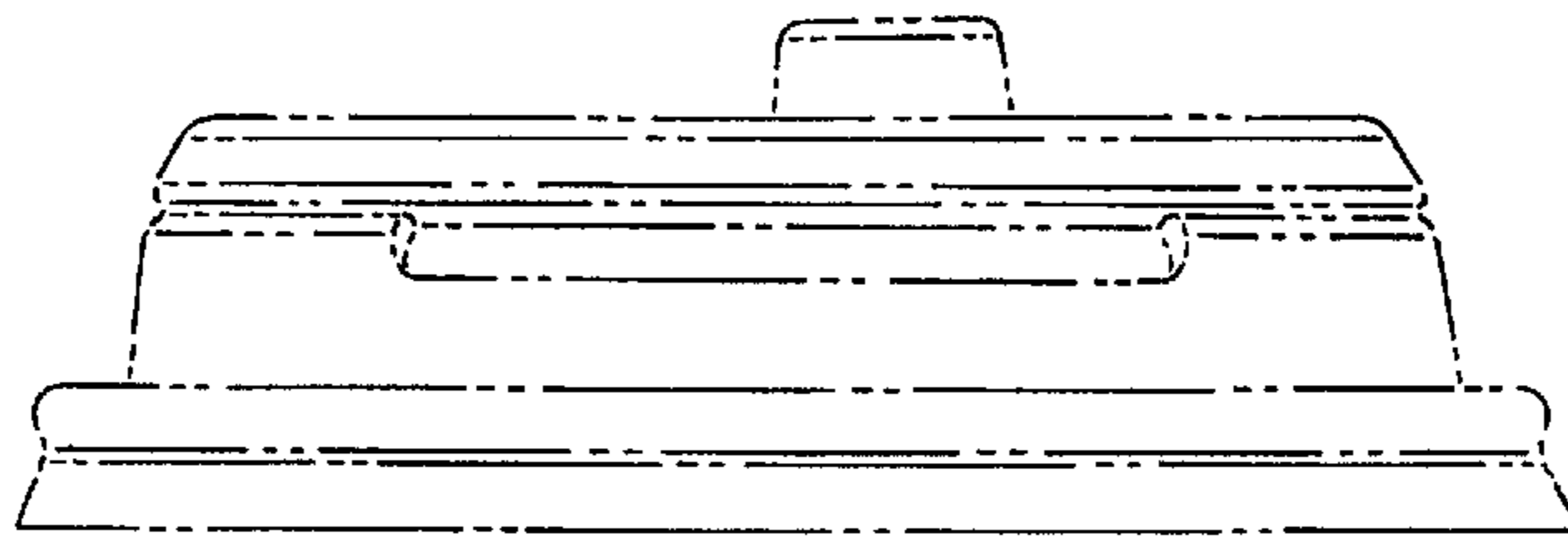


FIG. 3

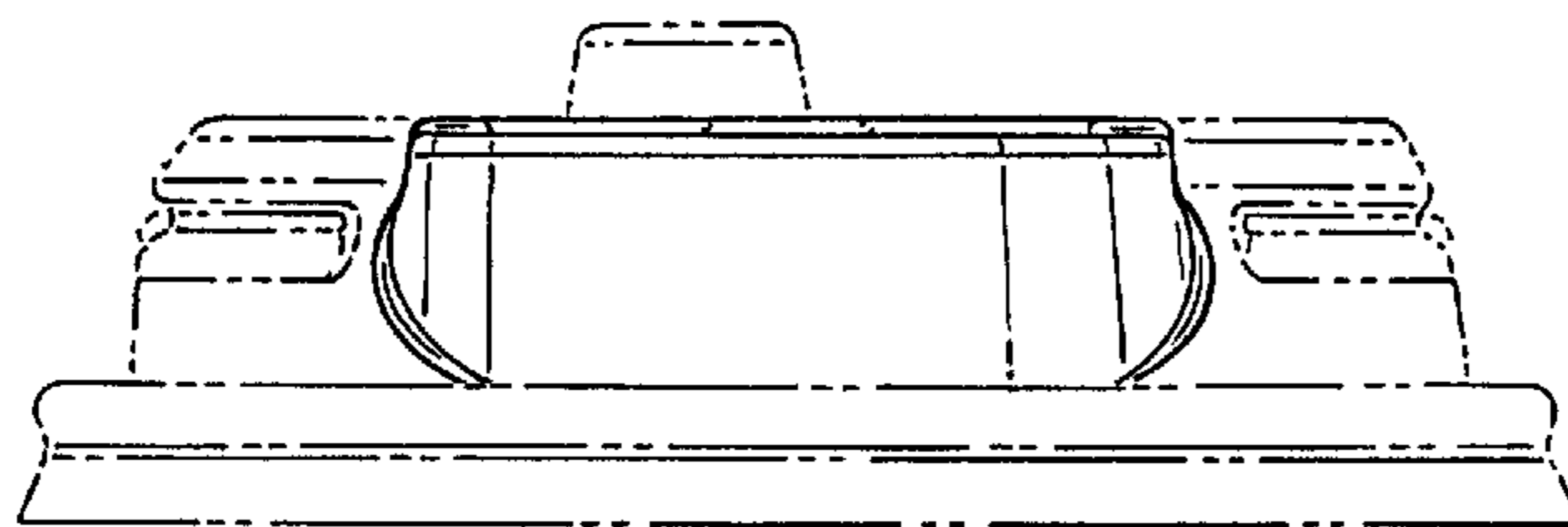


FIG. 4

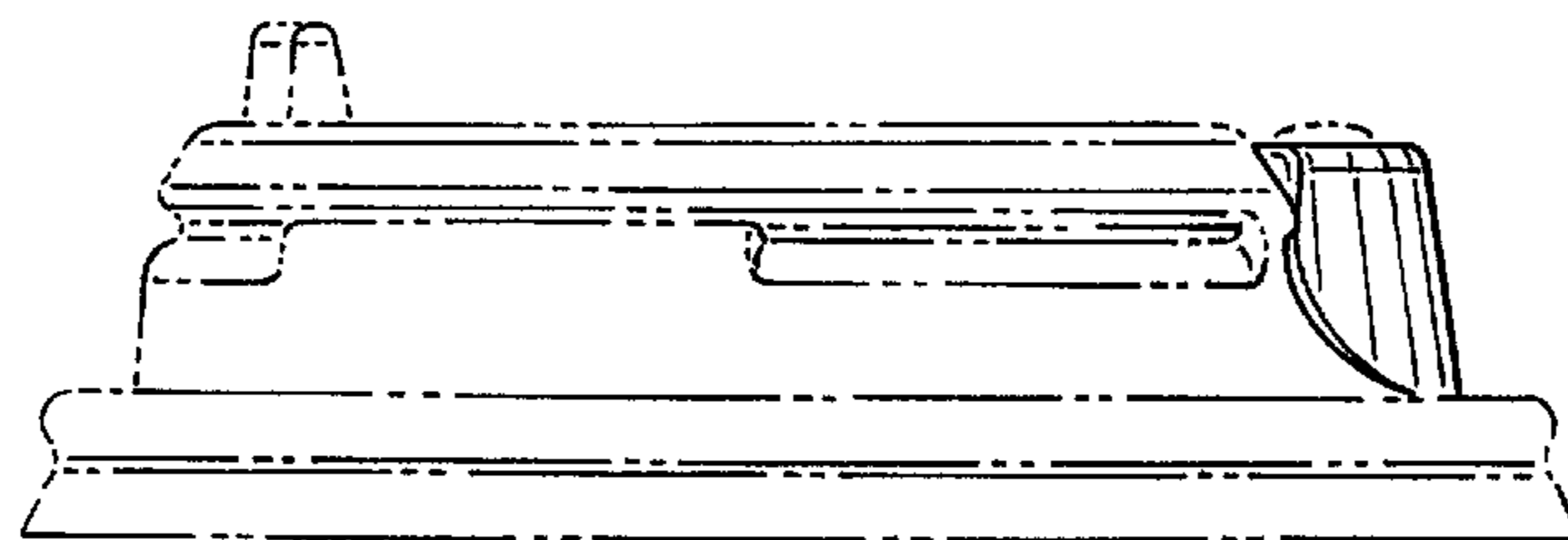


FIG. 5

