



US00D478001S

(12) **United States Design Patent**
Milan

(10) **Patent No.:** **US D478,001 S**

(45) **Date of Patent:** **** Aug. 5, 2003**

(54) **PACKAGE FOR COMPUTER CABLE**

(76) Inventor: **Henry Milan**, 1709 Apple Ridge Ct.,
Rochester Hills, MI (US) 48306

(**) Term: **14 Years**

(21) Appl. No.: **29/154,307**

(22) Filed: **Nov. 13, 2001**

(51) **LOC (7) Cl.** **09-03**

(52) **U.S. Cl.** **D9/415**

(58) **Field of Search** D9/414, 415, 418,
D9/347, 337; 206/461-471, 806, 495, 702,
579, 307, 389, 303, 775-779

(56) **References Cited**

U.S. PATENT DOCUMENTS

3,434,591	A	*	3/1969	Hanscom	242/160.4
4,285,157	A	*	8/1981	Lambert	206/579
D261,988	S		11/1981	Nichols		
D285,905	S		9/1986	Segal		
4,613,038	A	*	9/1986	Kirk	206/461
4,637,516	A	*	1/1987	de Roure	206/461
D306,561	S	*	3/1990	Lee	D9/415
D328,249	S		7/1992	Lee		
D332,216	S		1/1993	Lee		
D332,398	S		1/1993	Lee		
D349,239	S		8/1994	Steenland		
D351,342	S		10/1994	Lee		
D370,626	S	*	6/1996	Pass et al.	D9/415
D372,193	S		7/1996	Lee		
D380,963	S		7/1997	Lee		
D384,579	S		10/1997	Lee		
D389,402	S		1/1998	Lee		
5,738,209	A	*	4/1998	Burr et al.	206/702
D396,632	S		8/1998	Lee		
D400,096	S		10/1998	Lee		
D405,367	S		2/1999	Lee		
D405,368	S		2/1999	Lee		
D405,688	S		2/1999	Lee		

D406,753	S		3/1999	Lee		
D408,280	S	*	4/1999	Manley et al.	D9/415
D412,843	S		8/1999	Melzer		
D414,410	S		9/1999	Klein		
D418,408	S		1/2000	Humphrey		
6,026,961	A	*	2/2000	McCarthy et al.	206/702
D427,061	S		6/2000	Niksich		
D429,149	S		8/2000	Humphrey		
D431,459	S		10/2000	Lee		
D433,325	S		11/2000	Humphrey		
6,163,465	A	*	12/2000	Tanner et al.	206/702
D447,408	S		9/2001	Humphrey		

* cited by examiner

Primary Examiner—Prabhakar Deshmukh
(74) *Attorney, Agent, or Firm*—MacMillan, Sobanski & Todd, LLC

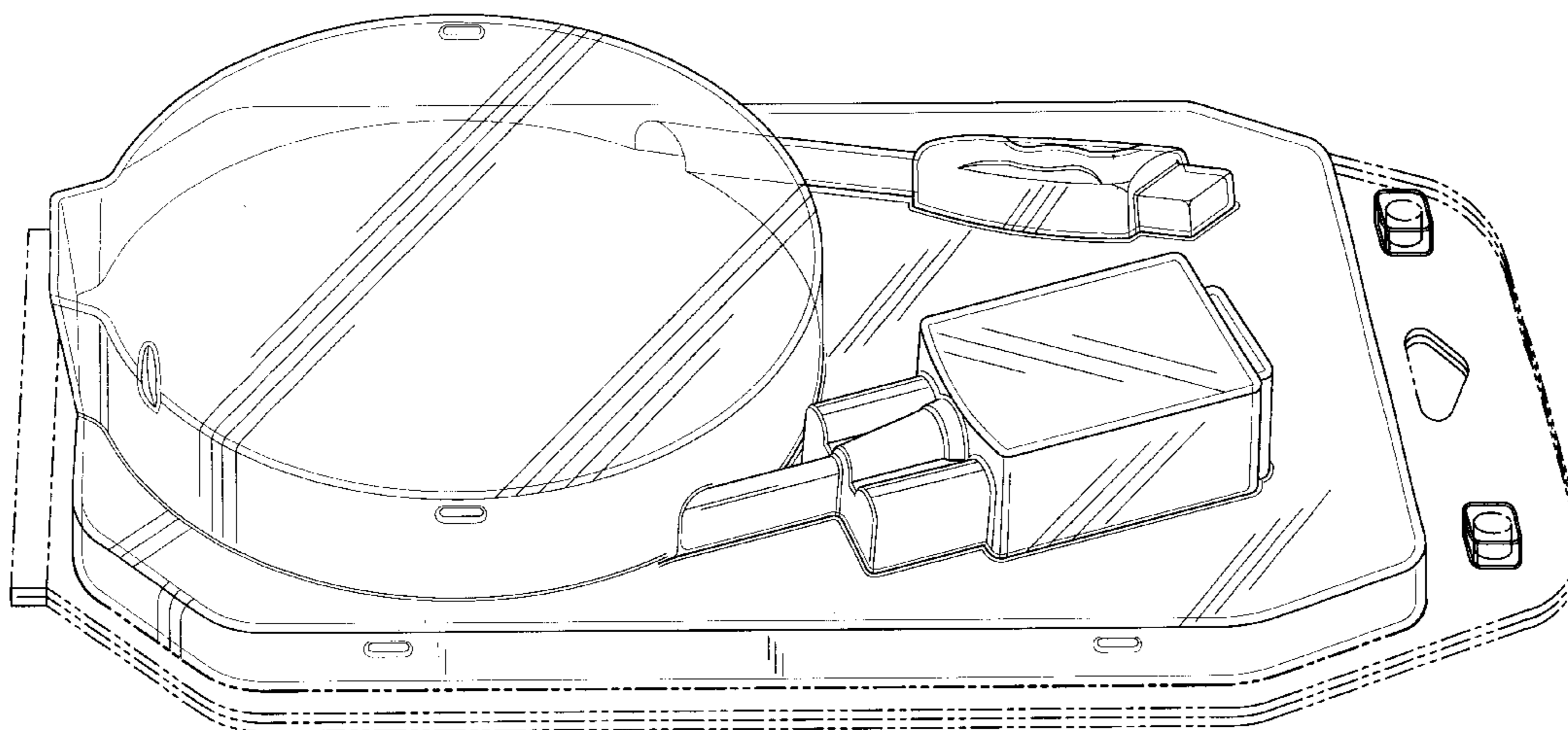
(57) **CLAIM**

The ornamental design for a package for computer cable, as shown and described.

DESCRIPTION

FIG. 1 is a perspective view showing my new package design.
 FIG. 2 is a top plan view thereof.
 FIG. 3 is a front elevational view thereof.
 FIG. 4 is a rear elevational view thereof.
 FIG. 5 is a right side elevational view thereof.
 FIG. 6 is a left side elevational view thereof.
 FIG. 7 is a sectional view, taken in the direction of the arrows, along the section line 7—7 of FIG. 2.
 FIG. 8 is a sectional view, taken in the direction of the arrows, along the section line 8—8 of FIG. 2.
 FIG. 9 is a sectional view taken in the direction of the arrows along the section line 9—9 of FIG. 2; and,
 FIG. 10 is a sectional view taken in the direction of the arrows along the section line 10—10 of FIG. 2.

1 Claim, 4 Drawing Sheets



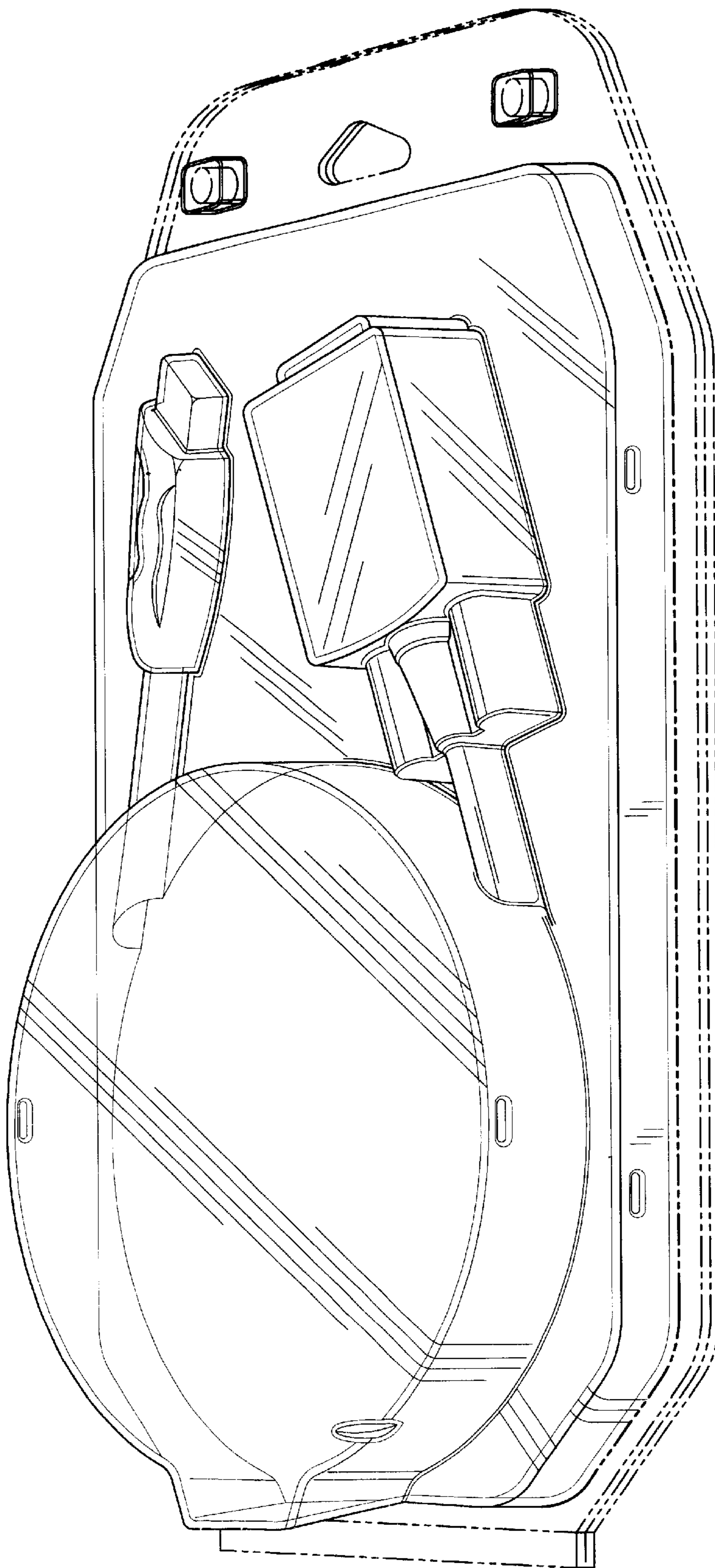
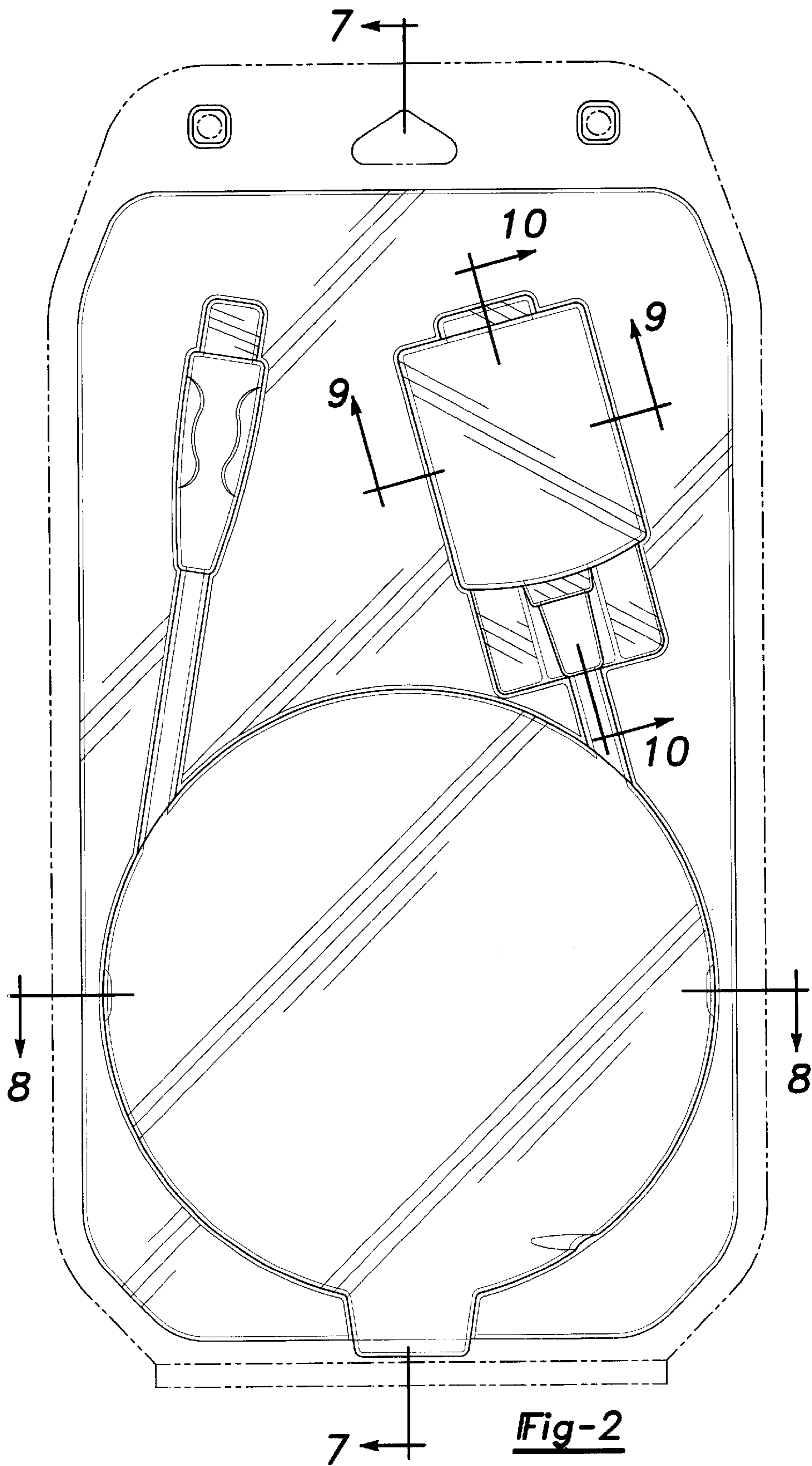


Fig-1



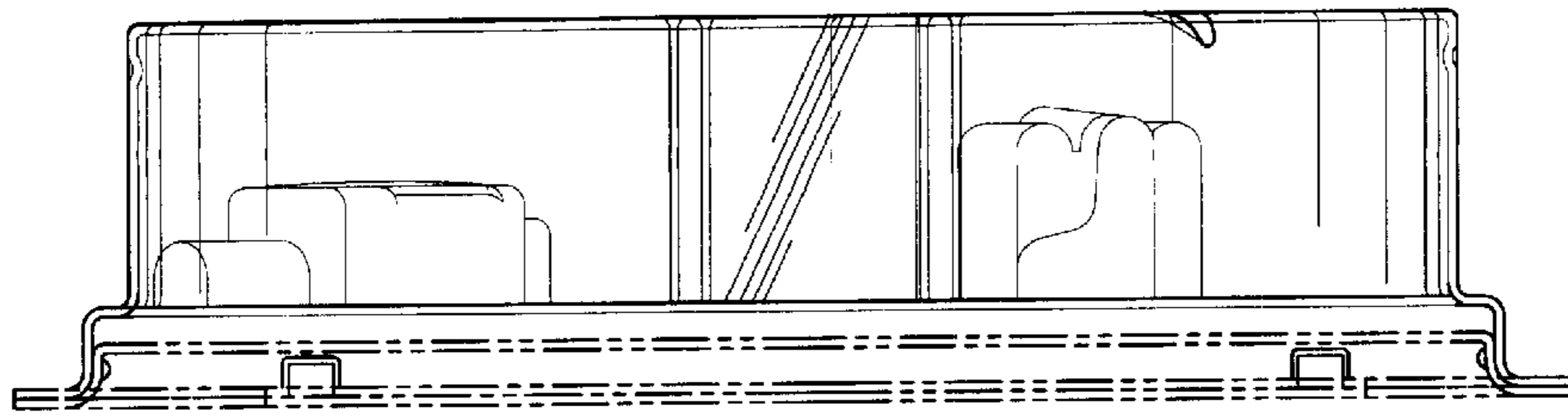


Fig-3

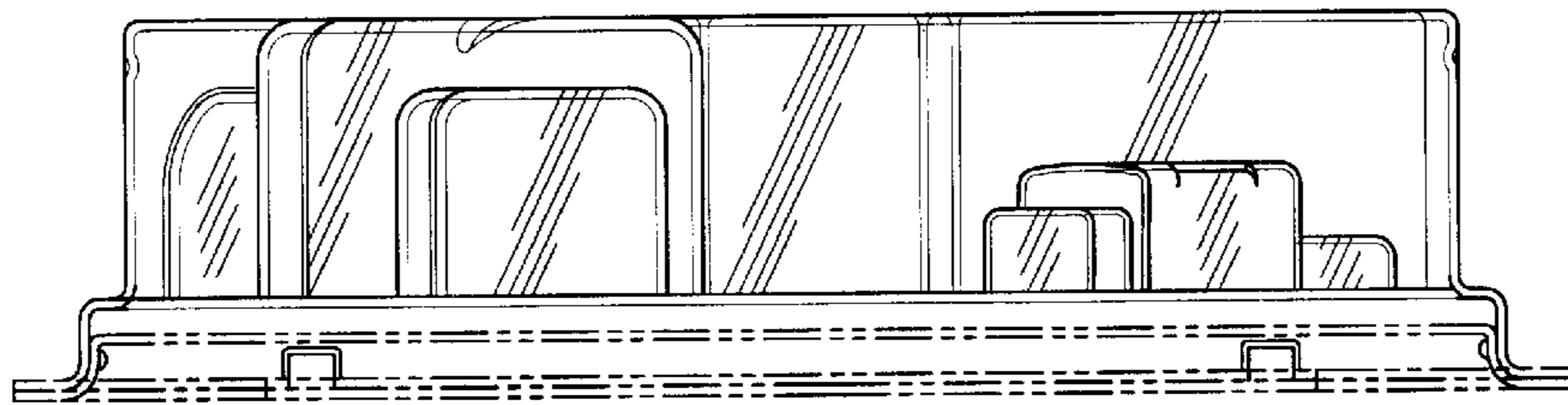


Fig-4

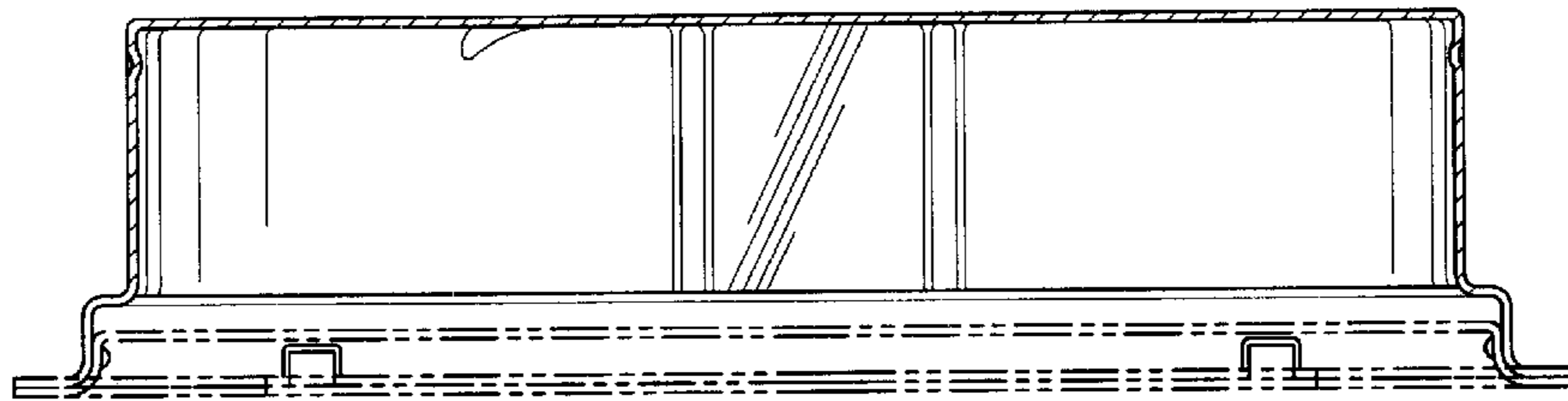


Fig-8

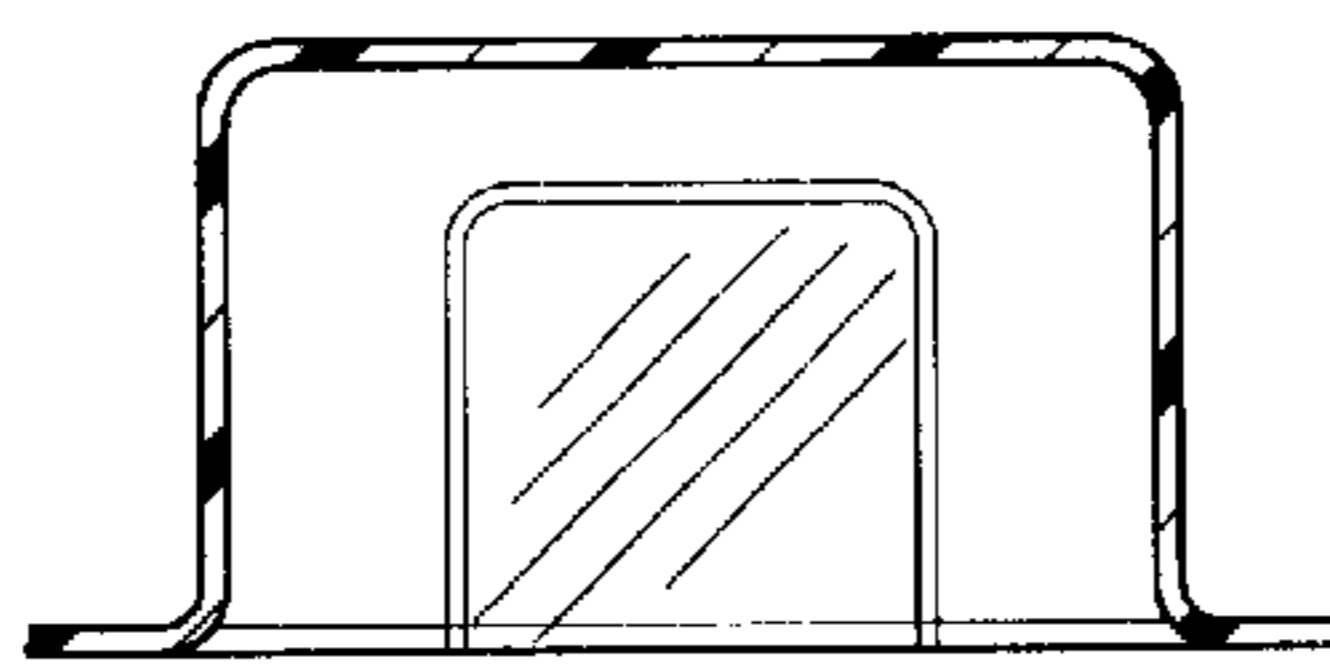


Fig-9

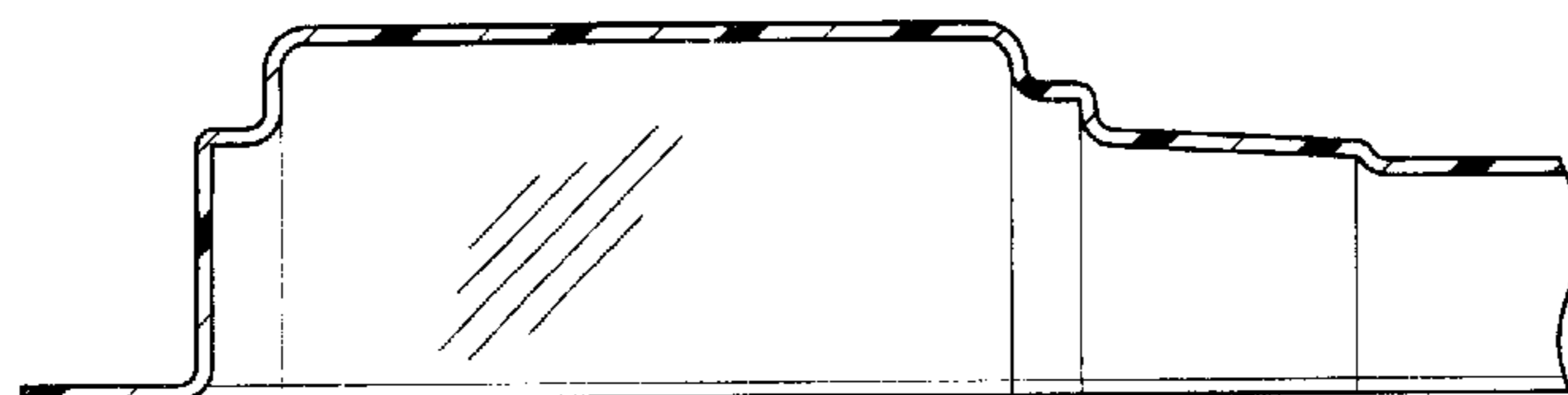


Fig-10

