



US00D478000S

(12) **United States Design Patent**
Milan

(10) **Patent No.:** **US D478,000 S**

(45) **Date of Patent:** **** Aug. 5, 2003**

(54) **PACKAGE FOR COMPUTER CABLE**

(76) Inventor: **Henry Milan**, 1709 Apple Ridge Ct.,
Rochester Hills, MI (US) 48306

(**) Term: **14 Years**

(21) Appl. No.: **29/151,378**

(22) Filed: **Nov. 12, 2001**

(51) **LOC (7) Cl.** **09-03**

(52) **U.S. Cl.** **D9/415**

(58) **Field of Search** D9/414, 415, 418,
D9/347, 337; 206/461-471, 806, 495, 200,
579, 307, 389, 303, 775-779

(56) **References Cited**

U.S. PATENT DOCUMENTS

3,434,591 A *	3/1969	Hanscom	242/160.4
4,285,157 A *	8/1981	Lambert	206/579
D261,988 S	11/1981	Nichols et al.	
D285,905 S	9/1986	Segal	
4,613,038 A *	9/1986	Kirk	206/461
4,637,516 A *	1/1987	De Roure	206/461
D306,561 S *	3/1990	Lee	D9/415
D328,249 S	7/1992	Lee	
D332,216 S	1/1993	Lee et al.	
D332,398 S	1/1993	Lee et al.	
D349,239 S	8/1994	Steenland	
D351,342 S	10/1994	Lee et al.	
D370,626 S *	6/1996	Pass et al.	D9/415
D372,193 S	7/1996	Lee	
D380,963 S	7/1997	Lee	
D384,579 S	10/1997	Lee	
D389,402 S	1/1998	Lee	
5,738,209 A *	4/1998	Burr et al.	206/702
D396,632 S	8/1998	Lee	
D400,096 S	10/1998	Lee	
D405,367 S	2/1999	Lee et al.	
D405,368 S	2/1999	Lee	
D405,688 S	2/1999	Lee et al.	

D406,753 S	3/1999	Lee	
D408,280 S *	4/1999	Manley et al.	D9/415
D412,843 S	8/1999	Melzer	
D414,410 S	9/1999	Klein et al.	
D418,408 S	1/2000	Humphrey	
6,026,961 A *	2/2000	McCarthy et al.	206/702
D427,061 S	6/2000	Niksich	
D429,149 S	8/2000	Humphrey	
D431,459 S	10/2000	Lee	
D433,325 S	11/2000	Humphrey	
6,163,465 A *	12/2000	Tanner et al.	206/702
D447,408 S	9/2001	Humphrey	

* cited by examiner

Primary Examiner—Prabhakar Deshmukh
(74) *Attorney, Agent, or Firm*—MacMillan, Sobanski & Todd, LLC

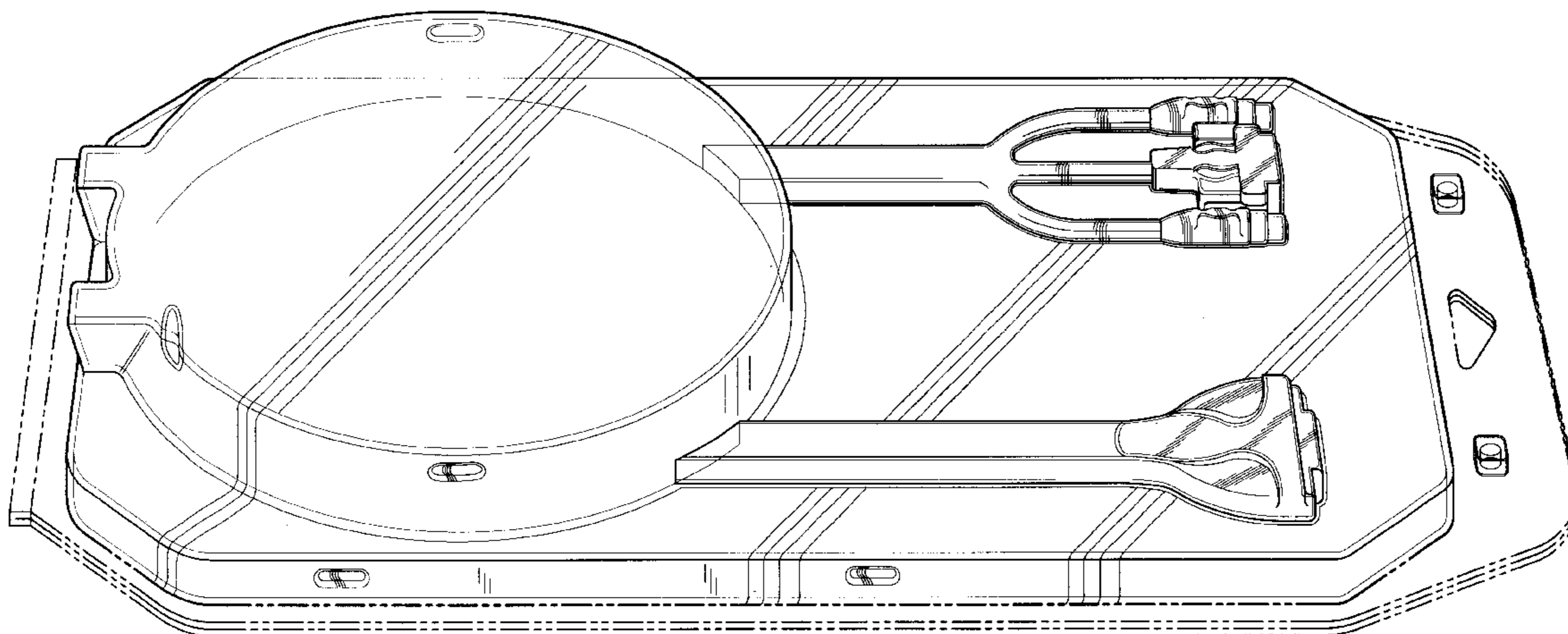
(57) **CLAIM**

The ornamental design for a package for computer cable, as shown and described.

DESCRIPTION

FIG. 1 is a perspective view showing my new package design.
FIG. 2 is a top plan view thereof.
FIG. 3 is a front elevational view thereof.
FIG. 4 is a rear elevational view thereof.
FIG. 5 is a right side elevational view thereof.
FIG. 6 is a left side elevational view thereof.
FIG. 7 is a sectional view, taken in the direction of the arrows, along the section line 7—7 of FIG. 2.
FIG. 8 is a sectional view, taken in the direction of the arrows, along the section line 8—8 of FIG. 2.
FIG. 9 is a sectional view taken in the direction of the arrows along the section line 9—9 of FIG. 2; and,
FIG. 10 is a sectional view taken in the direction of the arrows along the section line 10—10 of FIG. 2.

1 Claim, 4 Drawing Sheets



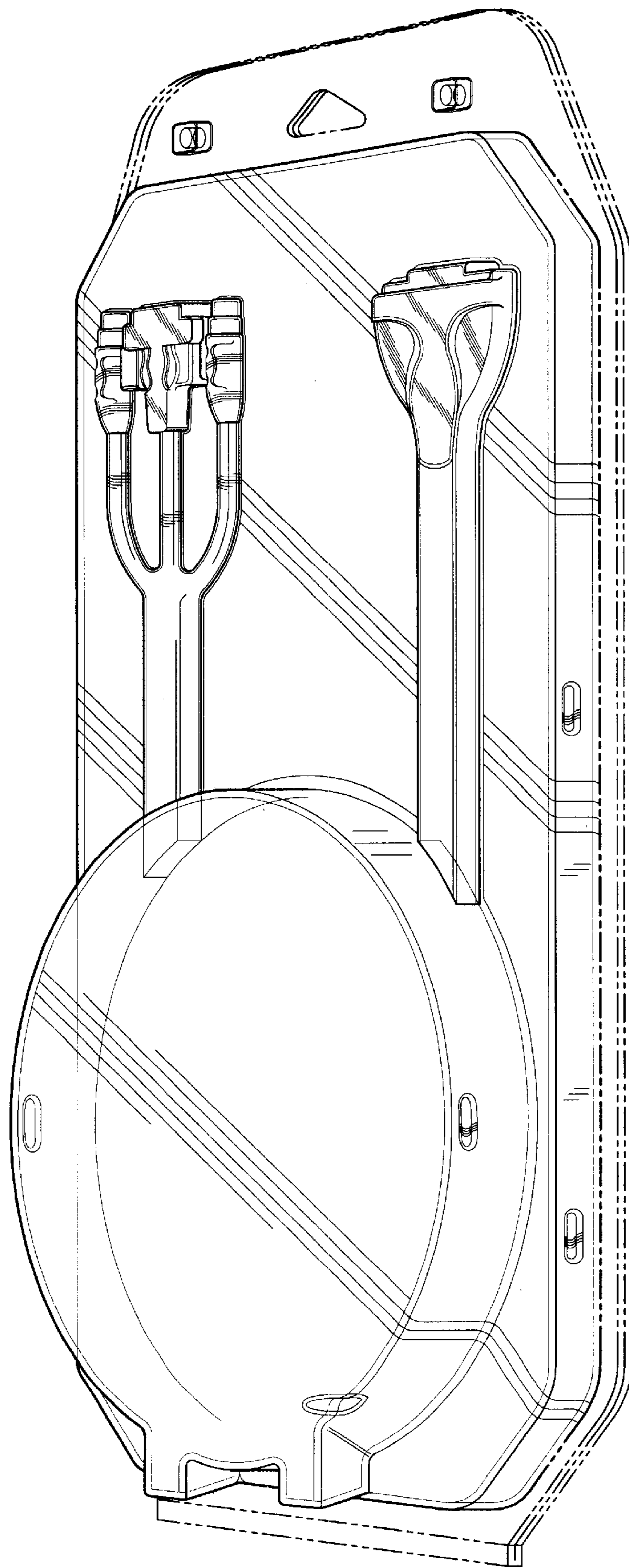
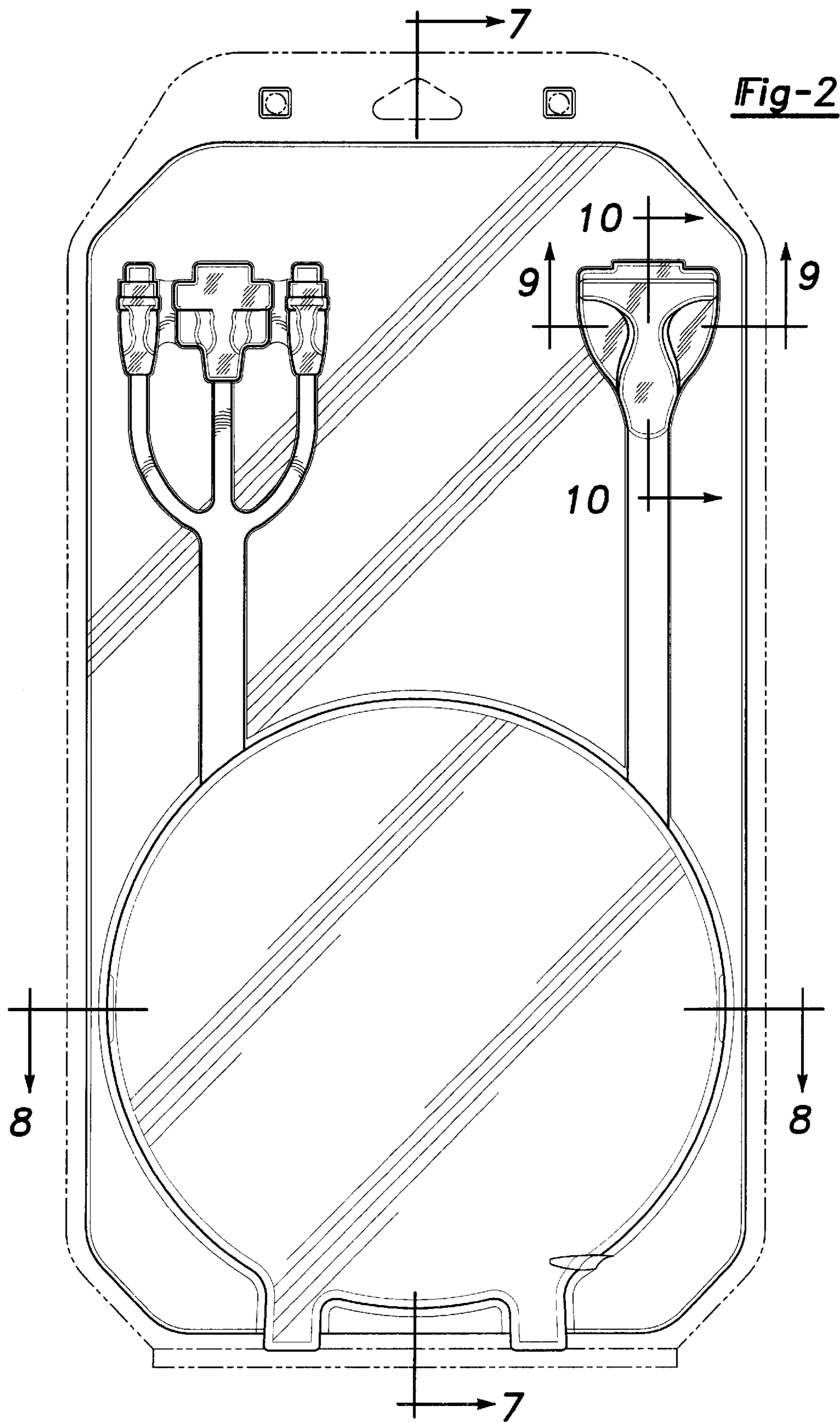


Fig-1



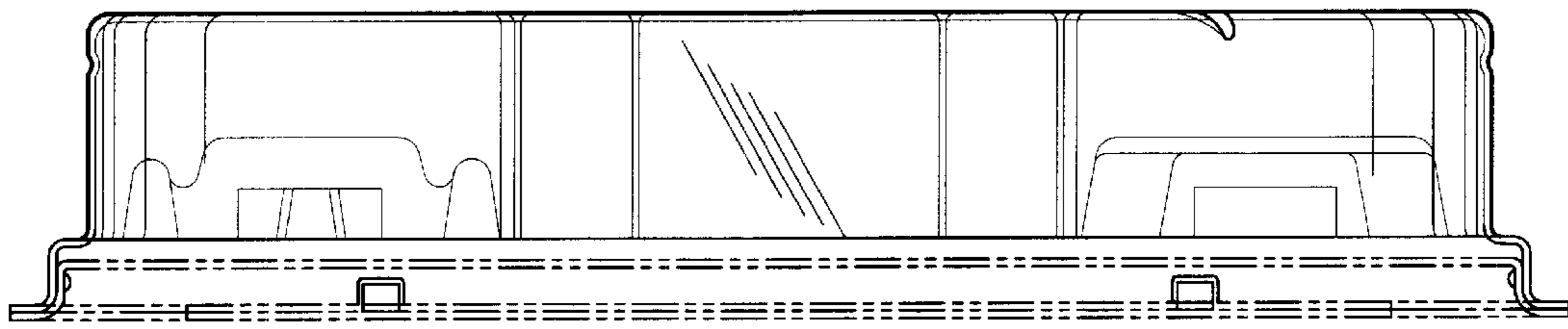


Fig-3

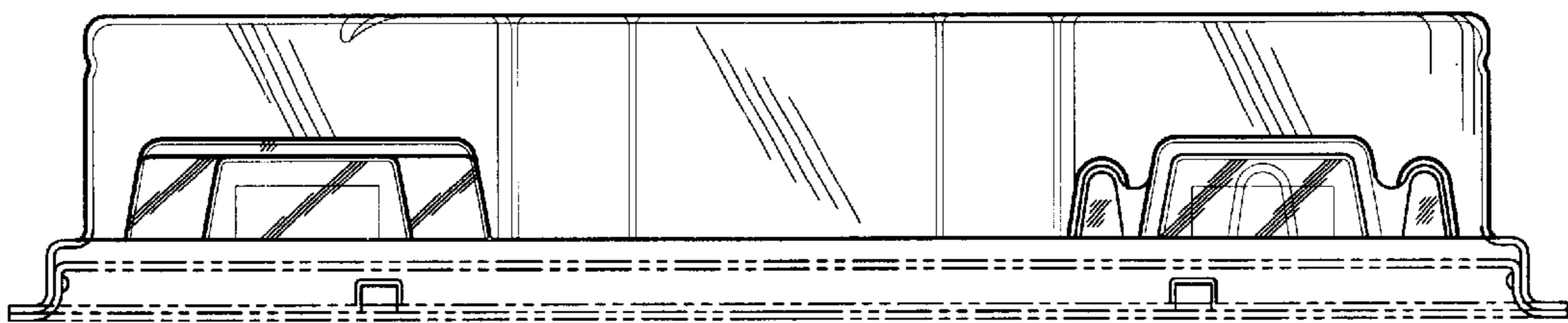


Fig-4

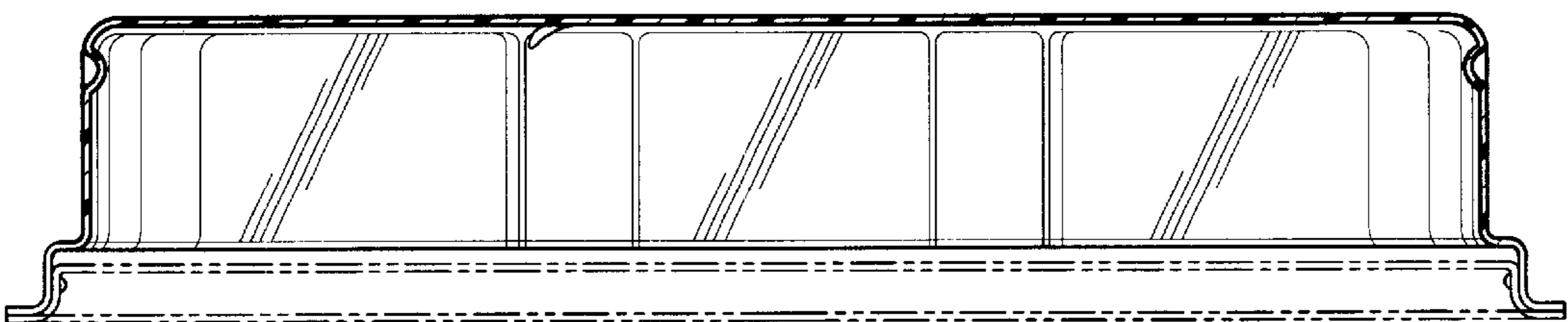


Fig-8

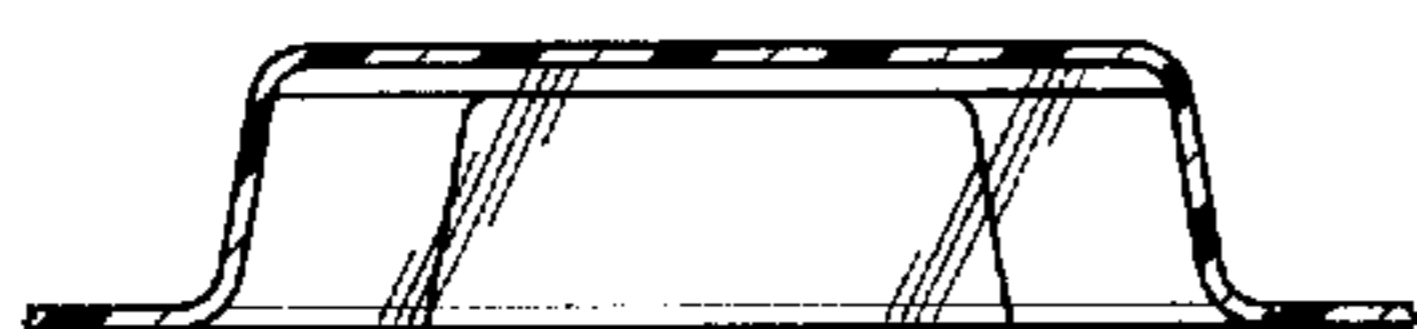


Fig-9



Fig-10

