



US00D477996S

(12) **United States Design Patent**  
**von Braun et al.**

(10) **Patent No.: US D477,996 S**

(45) **Date of Patent: \*\* \*Aug. 5, 2003**

(54) **CARRIER AND CANDLES (6-PACK)**

(75) Inventors: **Peter von Braun**, Greenwich, CT (US);  
**Brant Batchelor**, Stamford, CT (US)

(73) Assignee: **Leix, LLC**, Riverside, CT (US)

(\* ) Notice: This patent is subject to a terminal disclaimer.

(\*\* ) Term: **14 Years**

(21) Appl. No.: **29/163,991**

(22) Filed: **Jul. 16, 2002**

(51) **LOC (7) Cl.** ..... **09-03**

(52) **U.S. Cl.** ..... **D9/337**

(58) **Field of Search** ..... D8/49; D9/337-339,  
D9/341, 346, 414-416, 424, 430, 432-434,  
443, 449; D24/101; D26/6, 9, 10, 13; 206/37,  
135, 139, 142, 152, 216, 223, 404, 524.1-524.2,  
528-529, 531, 557-558, 561-562; 221/42,  
56, 135, 152, 154, 202, 208, 210, 239,  
263, 266, 282; 222/80, 92, 173, 179, 251,  
343; 229/100, 117.09, 117.12-117.16, 117.23,  
120.02, 120.08, 120.24

(56) **References Cited**

**U.S. PATENT DOCUMENTS**

1,829,533 A \* 10/1931 Ondricek ..... 229/117.13

2,395,711 A \* 2/1946 Arnold ..... 206/198  
D179,648 S \* 2/1957 Larsen ..... D58/5  
2,917,202 A \* 12/1959 Forrer ..... 206/190  
2,990,972 A \* 7/1961 Benedetti ..... 206/198  
3,565,323 A \* 2/1971 Katzenmeyer ..... 229/117.14  
4,032,007 A \* 6/1977 Graser et al. .... 206/173

\* cited by examiner

*Primary Examiner*—Ted Shooman

*Assistant Examiner*—Daniel Bui

(74) *Attorney, Agent, or Firm*—St.Onge Steward Johnston  
& Reens LLC

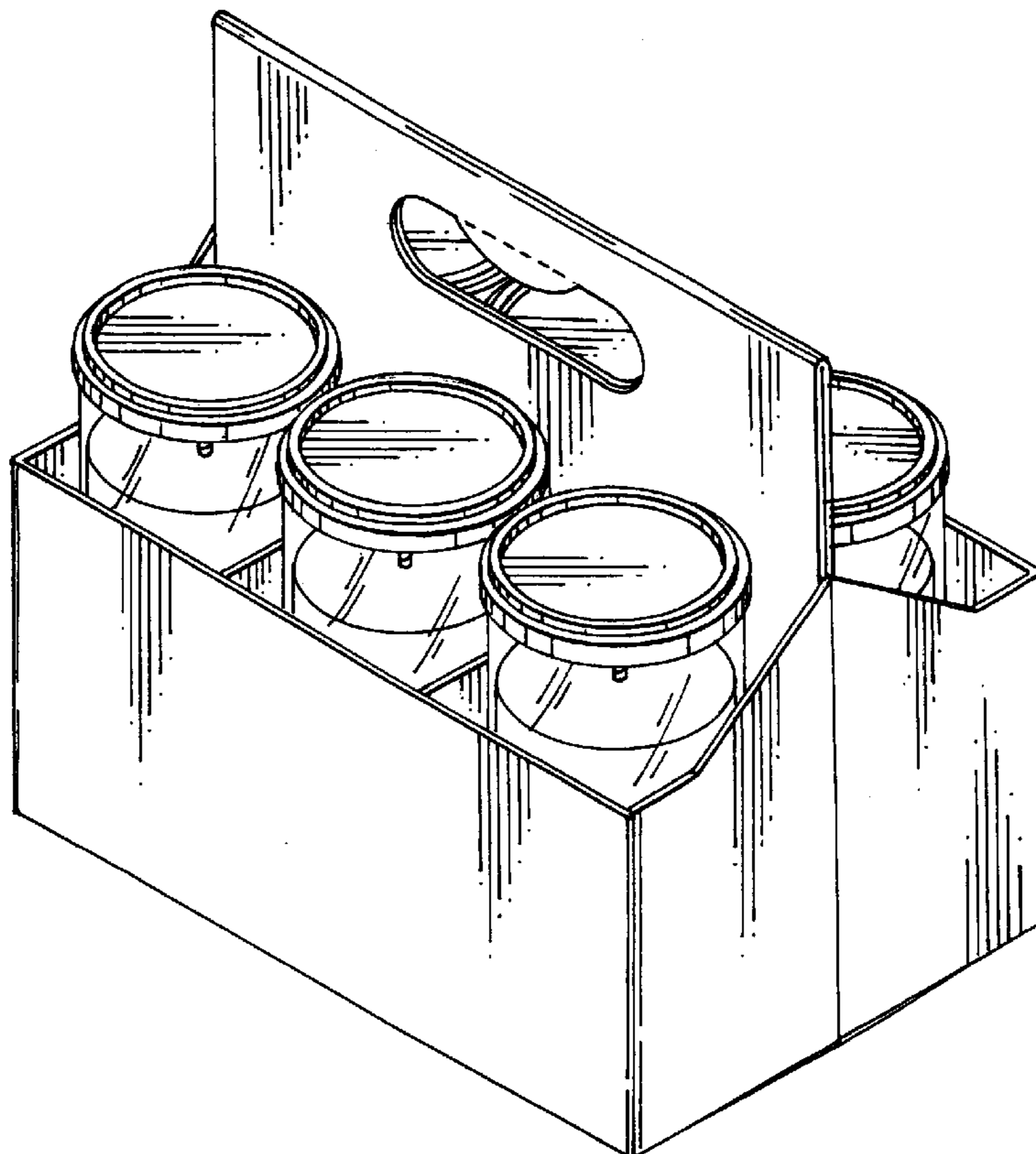
(57) **CLAIM**

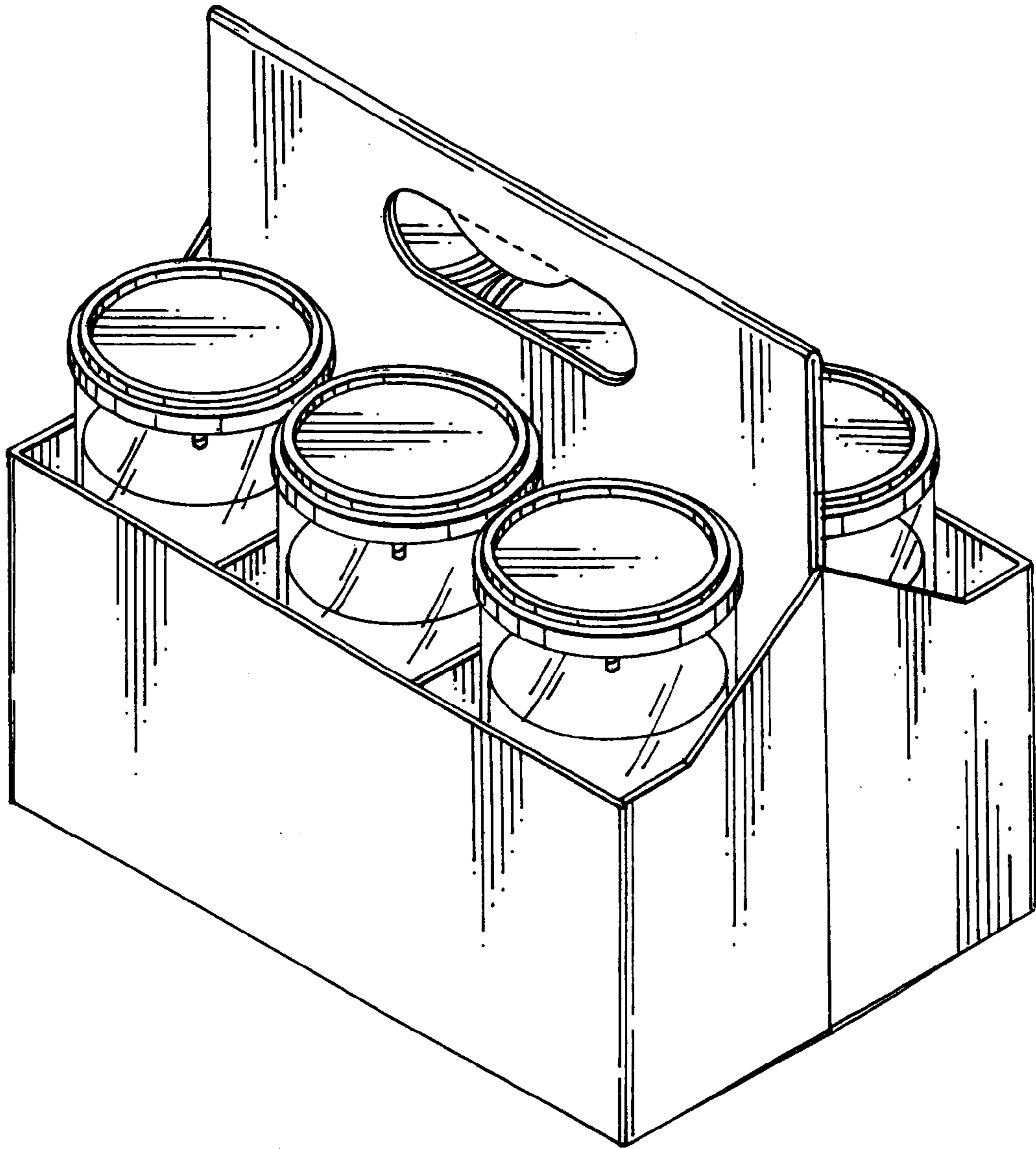
We claim the ornamental design for carrier and candles (6-pack), as shown and described in the drawings.

**DESCRIPTION**

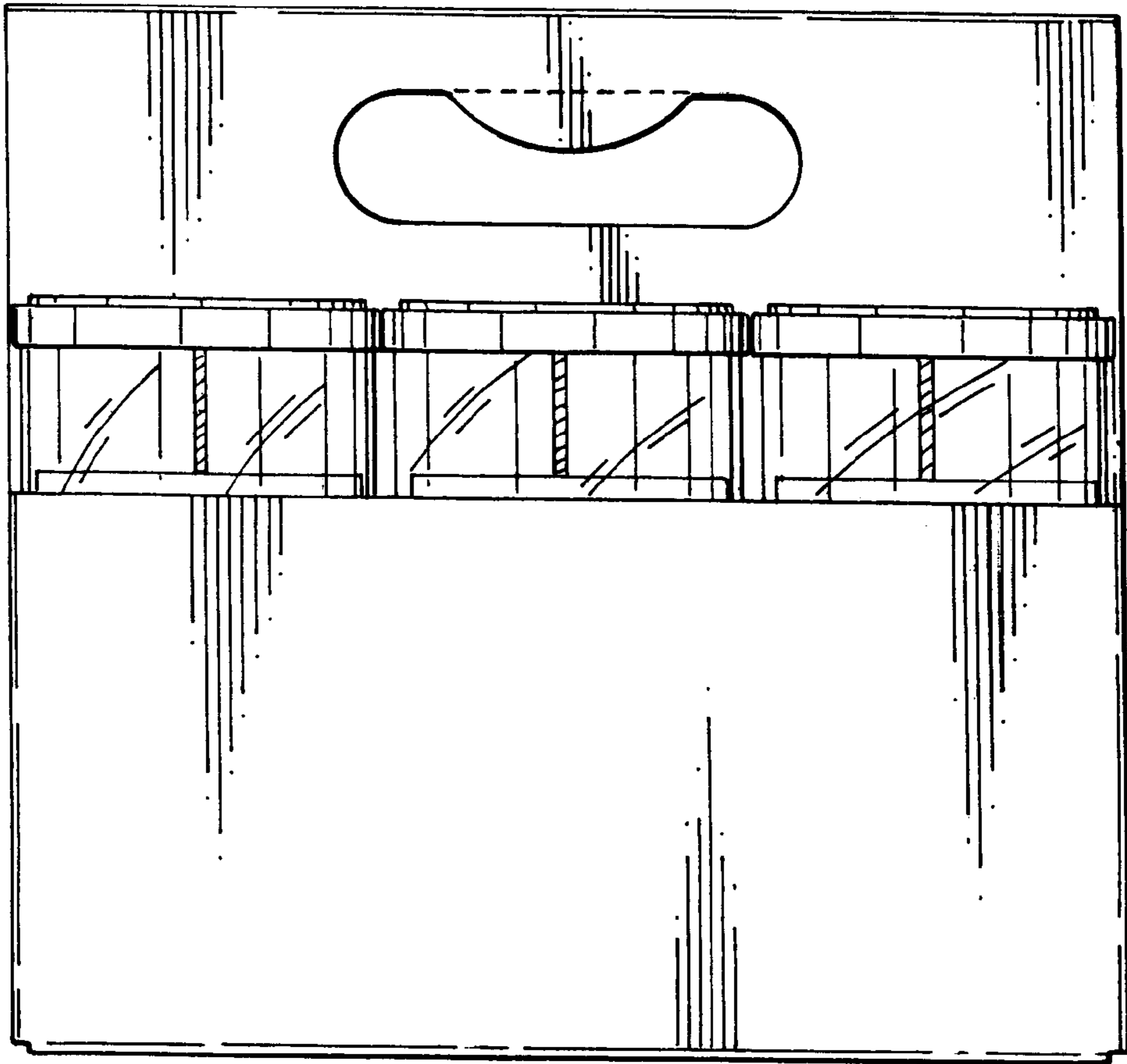
FIG. 1 is a front and left side perspective view of a carrier and candles (6-pack) in accordance with the new design;  
FIG. 2 is a front elevation view thereof;  
FIG. 3 is a top plan view thereof;  
FIG. 4 is a rear elevation view thereof;  
FIG. 5 is a bottom plan view thereof; and,  
FIG. 6 is a left side elevation view thereof, the right side elevation view being a mirror image.  
The broken lines in FIGS. 1, 2, and 4 represent a fold line.

**1 Claim, 4 Drawing Sheets**



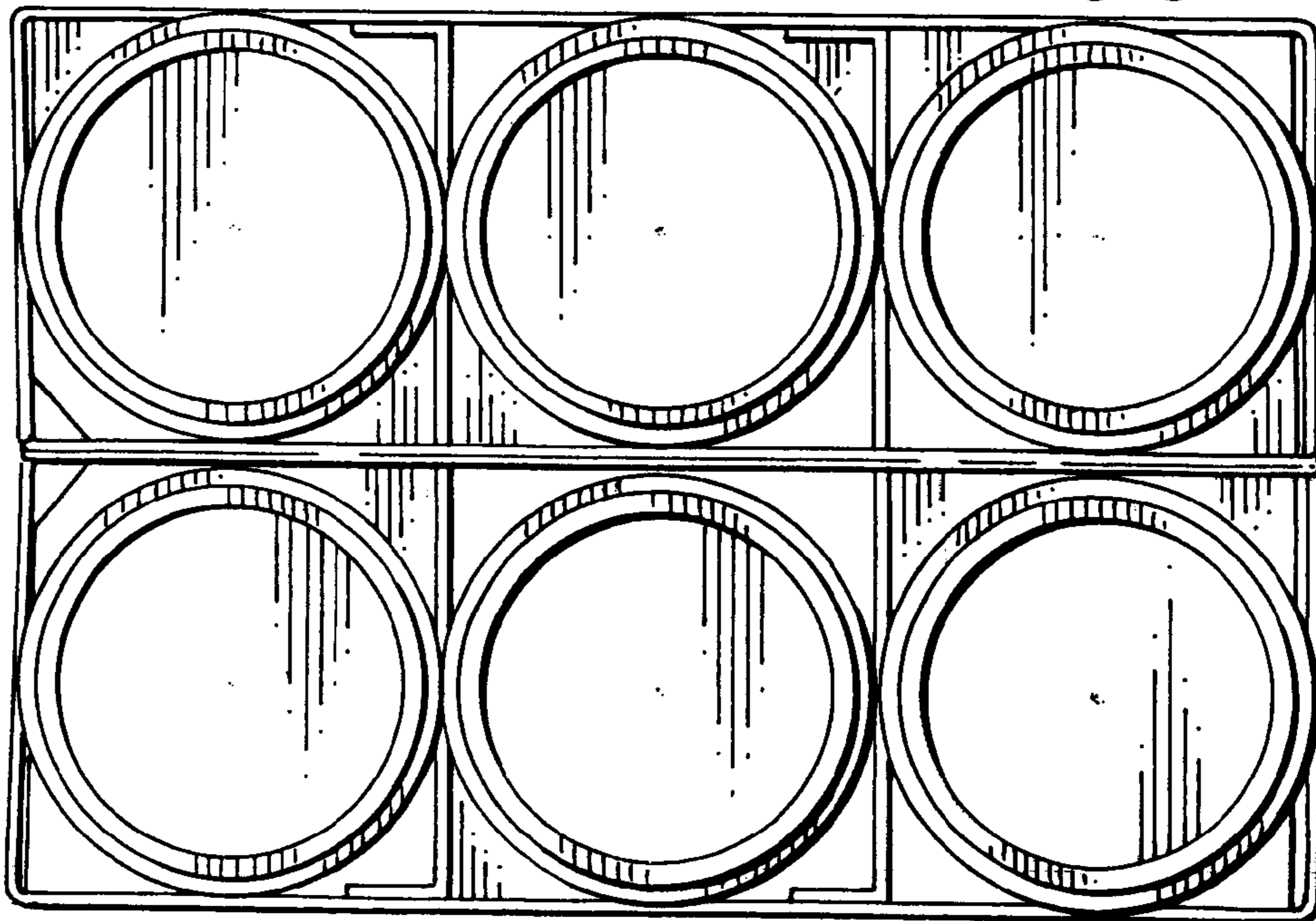


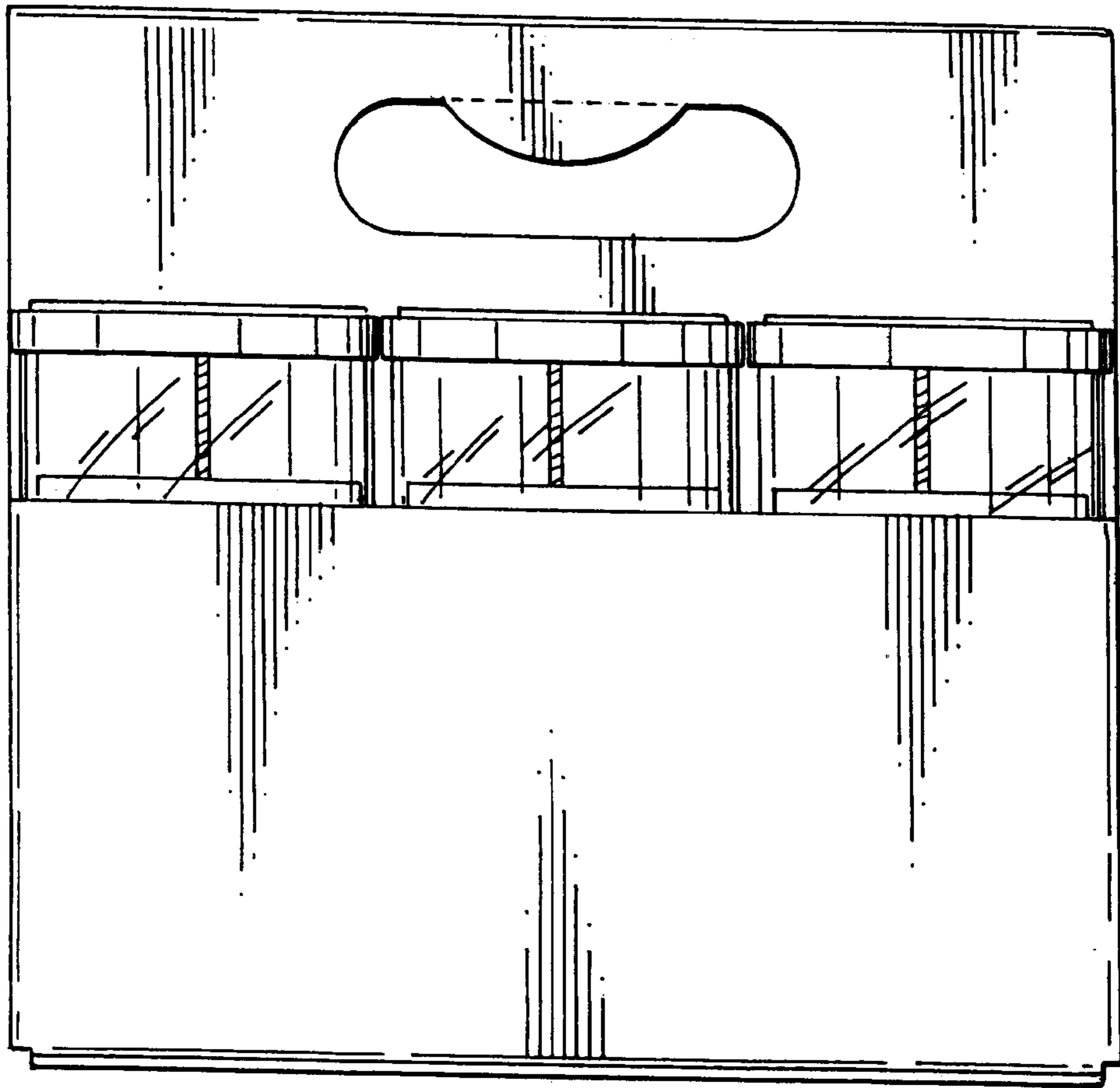
*FIG. 1*



*FIG. 2*

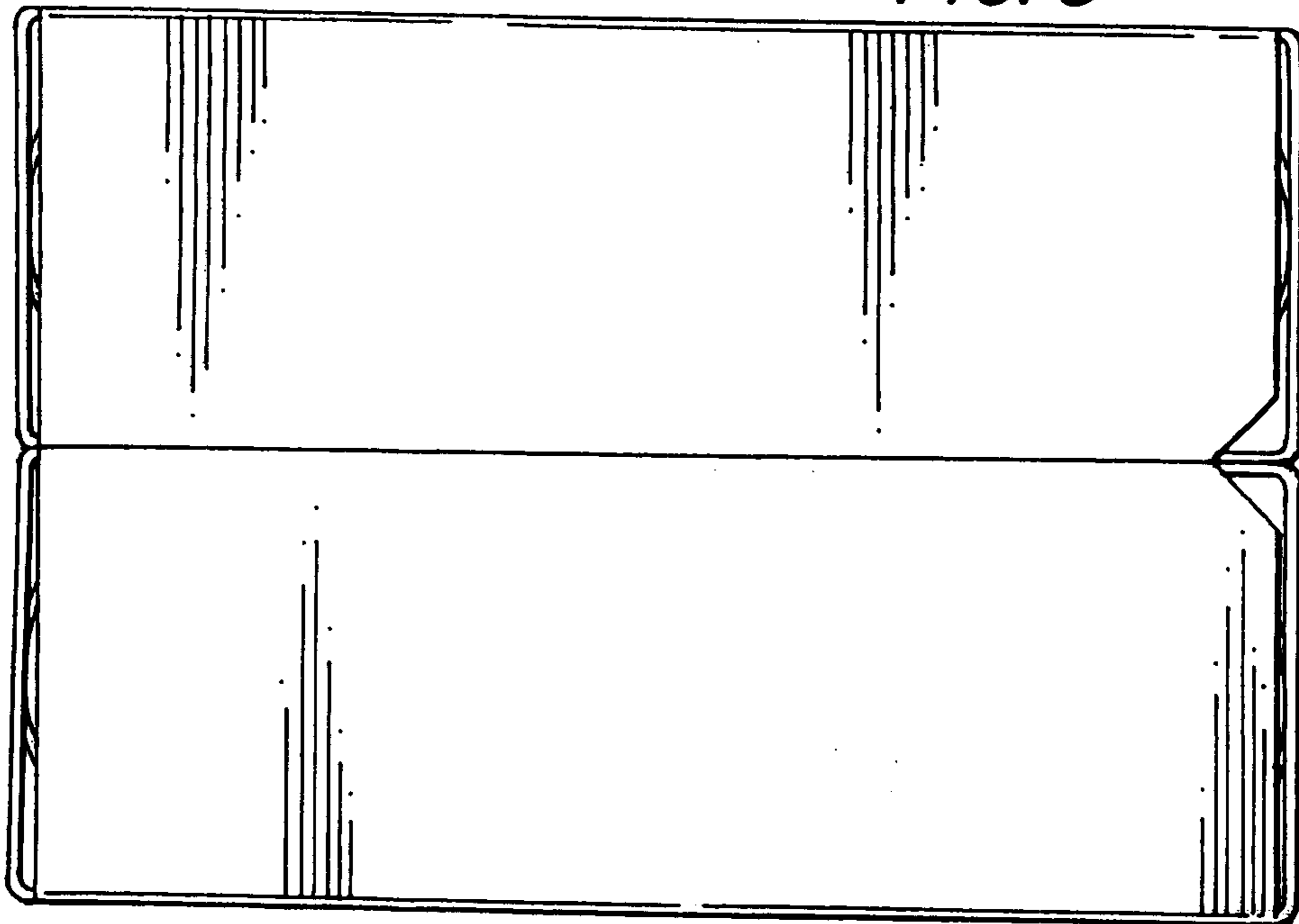
*FIG. 3*

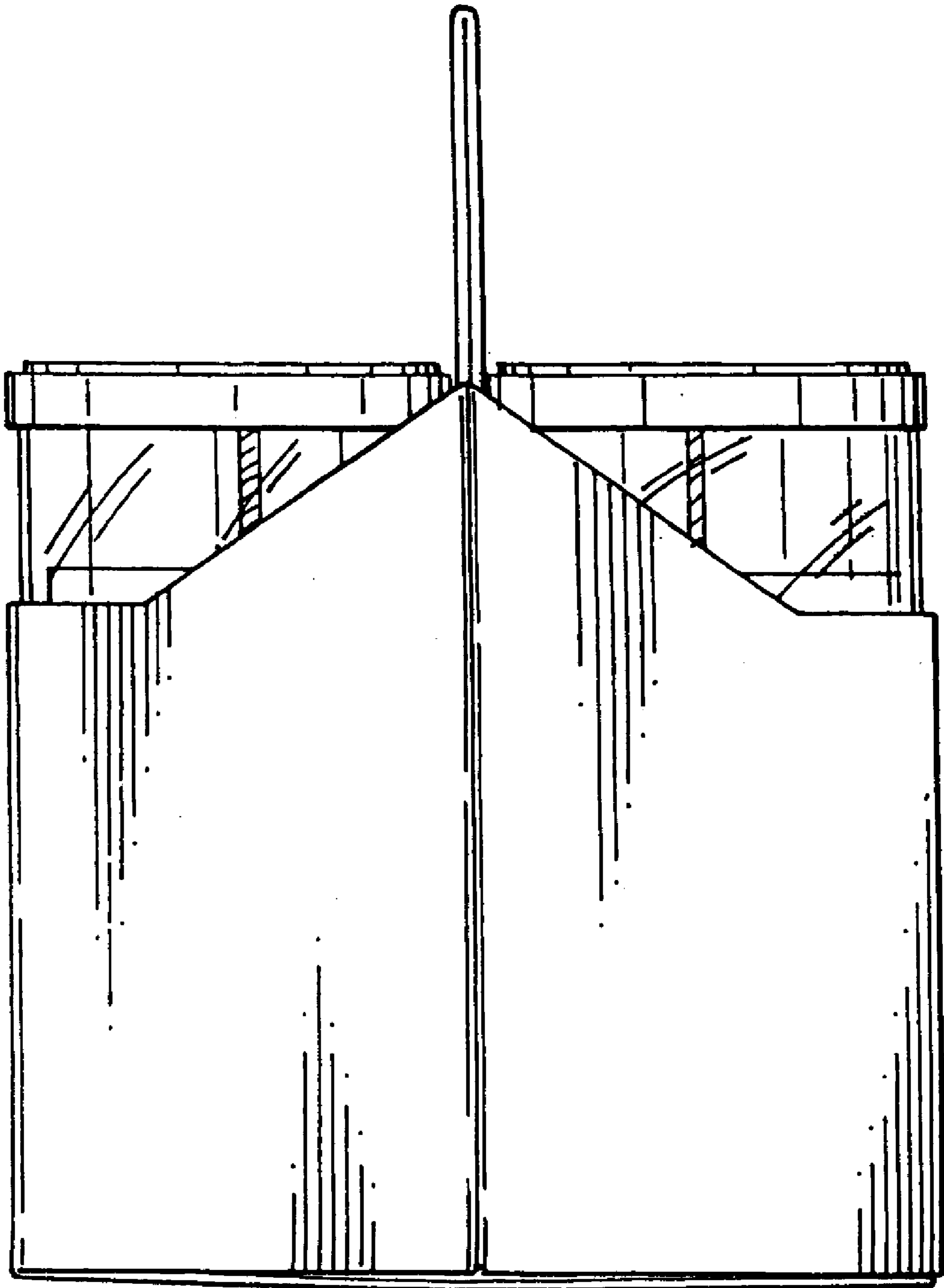




*FIG. 4*

*FIG. 5*





*FIG. 6*