



US00D477988S

(12) **United States Design Patent**  
**Adams et al.**

(10) **Patent No.:** **US D477,988 S**

(45) **Date of Patent:** **\*\* Aug. 5, 2003**

(54) **TWO PIECE JAW TYPE CLIP**

(75) **Inventors:** **William E. Adams**, Portersville, PA  
(US); **Joy L. Cottrill**, Verona, PA (US)

(73) **Assignee:** **Adams Mfg. Corp.**, Portersville, PA  
(US)

(\*\*) **Term:** **14 Years**

(21) **Appl. No.:** **29/159,925**

(22) **Filed:** **Apr. 30, 2002**

(51) **LOC (7) Cl.** ..... **08-08**

(52) **U.S. Cl.** ..... **D8/395; D19/65**

(58) **Field of Search** ..... D8/394, 395, 39,  
D8/40; D19/65, 88; D21/576, 584, 597,  
599, 600, 626, 650; 24/67 R, 67.1-67.11,  
455, 489, 513, 495, 496, 499, 500-502,  
508, 530, 510, 511

D286,013 S	10/1986	Adams	
4,840,341 A	6/1989	Hasegawa	
4,987,659 A	1/1991	Grandis	
5,153,969 A	10/1992	Arrendiell et al.	
5,179,768 A	1/1993	Jio	
5,301,393 A	4/1994	Brown	
D349,312 S	* 8/1994	Whalen	..... D21/576
5,452,500 A	9/1995	Revis	
6,073,318 A	6/2000	Phillips	
D428,202 S	* 7/2000	Tsai	..... D28/40
6,393,668 B1	* 5/2002	Olson et al.	..... 24/67.9
D464,685 S	* 10/2002	Weiser et al.	..... D21/650

\* cited by examiner

*Primary Examiner*—Louis S. Zarfaz

*Assistant Examiner*—Deanne Levy

(74) *Attorney, Agent, or Firm*—Buchanan Ingersoll, P.C.

(57) **CLAIM**

An ornamental design for a two piece jaw type clip, as shown and described.

(56) **References Cited**

**U.S. PATENT DOCUMENTS**

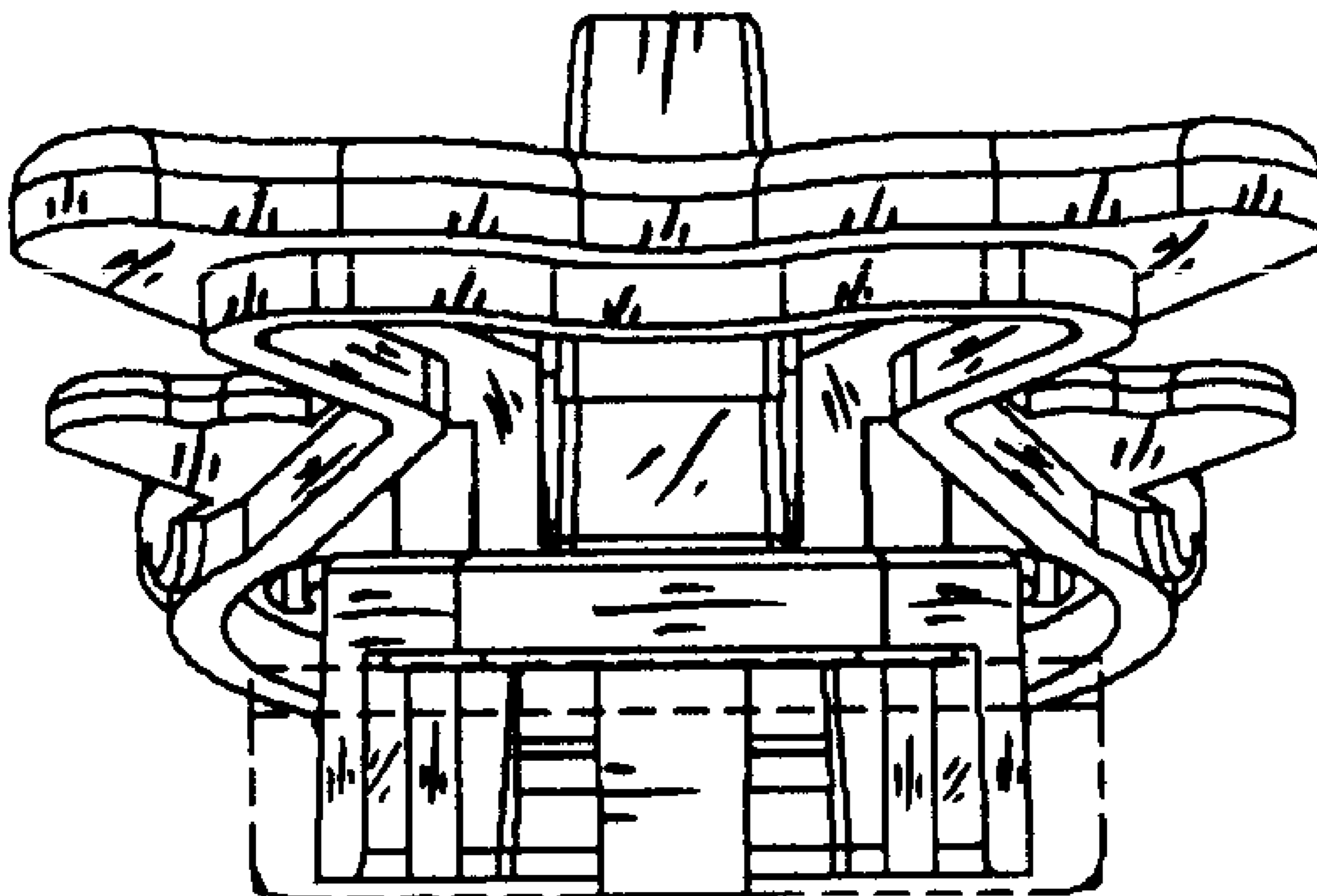
353,482 A	* 11/1886	Cottle	..... 24/510
746,844 A	* 12/1903	Jordan	..... 24/510
D137,693 S	* 4/1944	Reinecke	..... D21/599
D142,161 S	* 8/1945	Braund	..... D2/597
2,464,739 A	3/1949	Solomon et al.	
3,030,681 A	4/1962	Phillips	
3,597,813 A	8/1971	Takahashi	
3,756,550 A	9/1973	Kollitz	
4,277,864 A	7/1981	Orson, Sr.	
D269,985 S	* 8/1983	Gibbons	..... D21/600
D271,406 S	* 11/1983	Osborne	..... D21/650

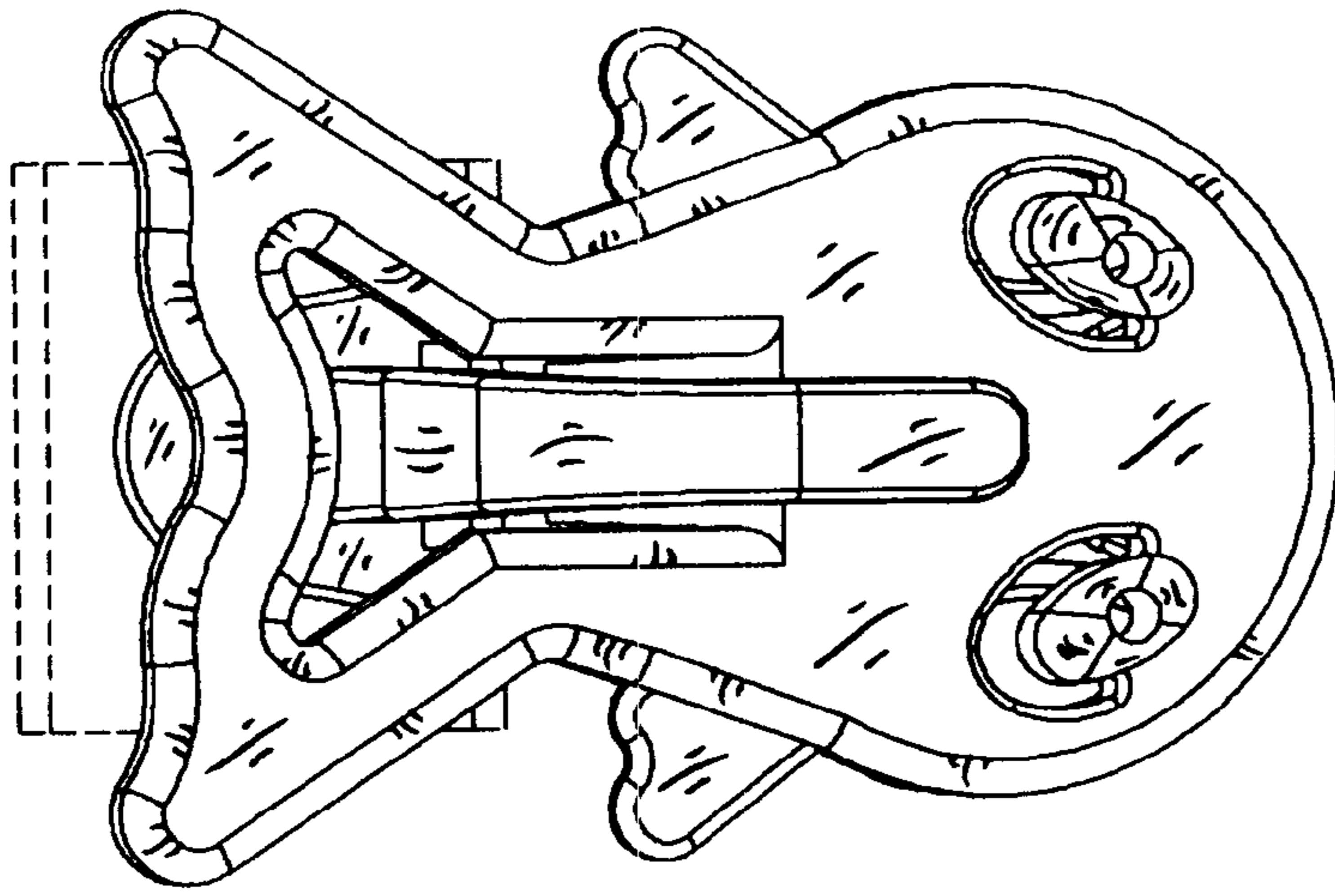
**DESCRIPTION**

FIG. 1 is a perspective view of our two piece jaw type clip; FIG. 2 is a top plan view thereof; FIG. 3 is a front view thereof; FIG. 4 is a left side view, the right side being a mirror image thereof; FIG. 5 is a bottom view thereof; and, FIG. 6 is a rear view thereof.

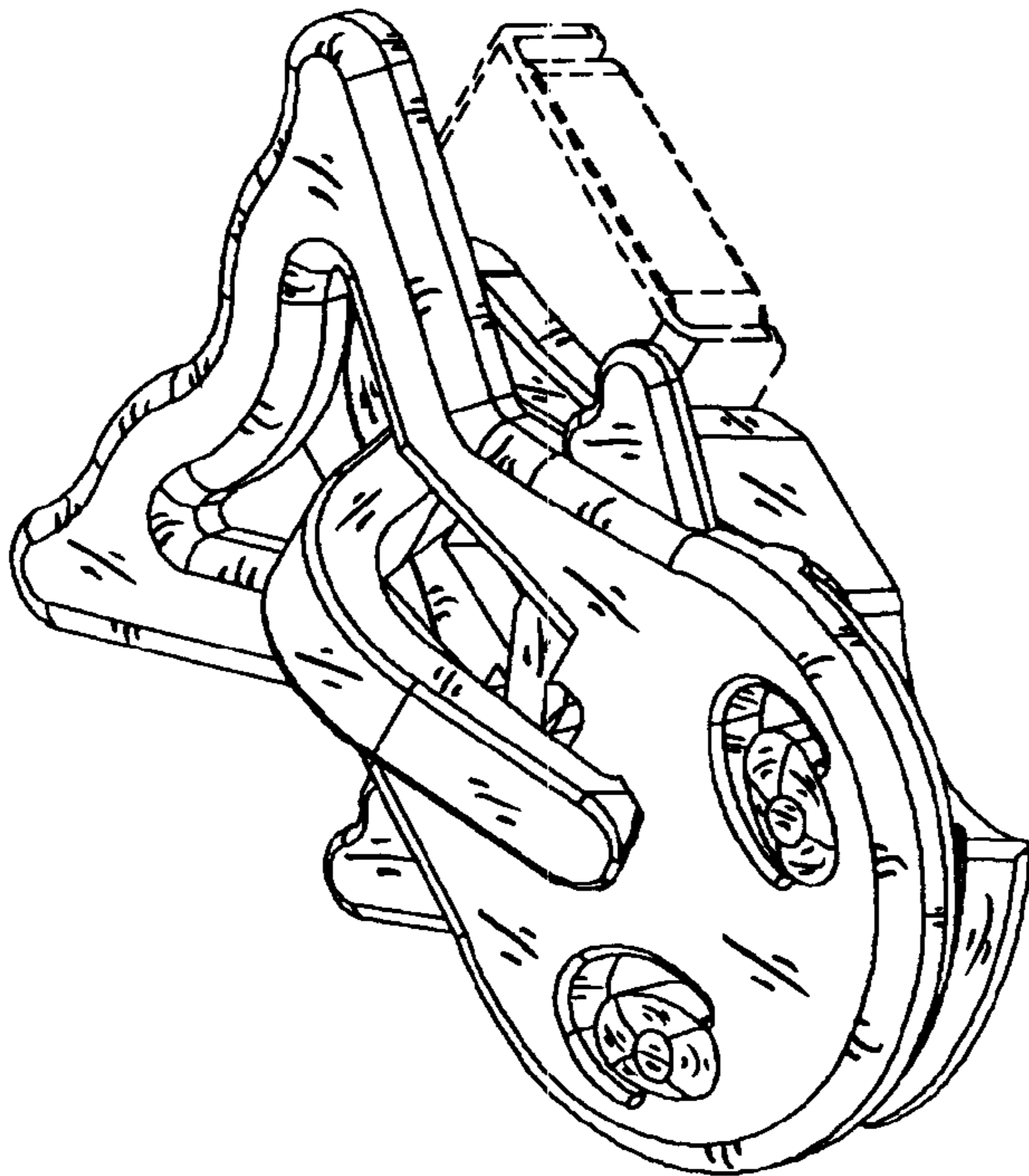
A magnet is shown in dotted line for illustrative purposes and forms no part of the present design.

**1 Claim, 3 Drawing Sheets**

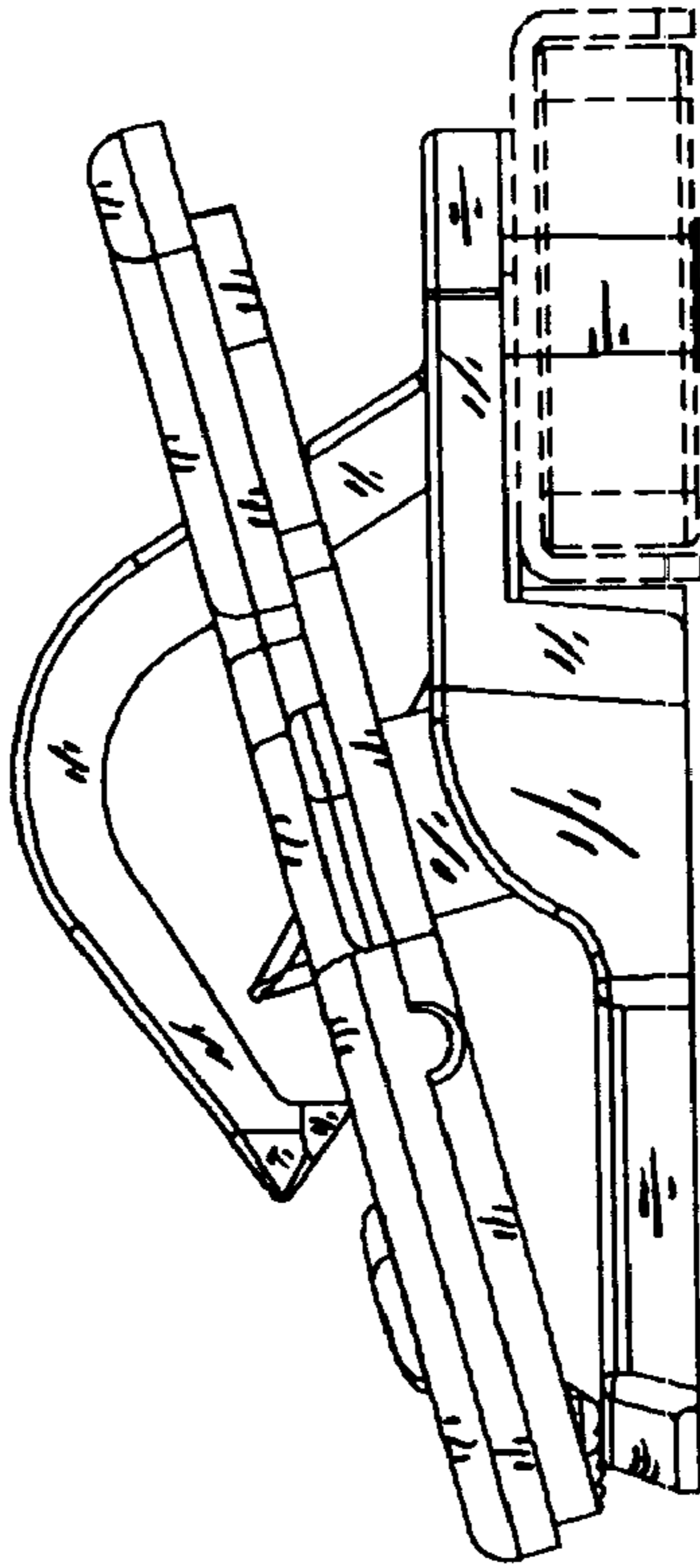




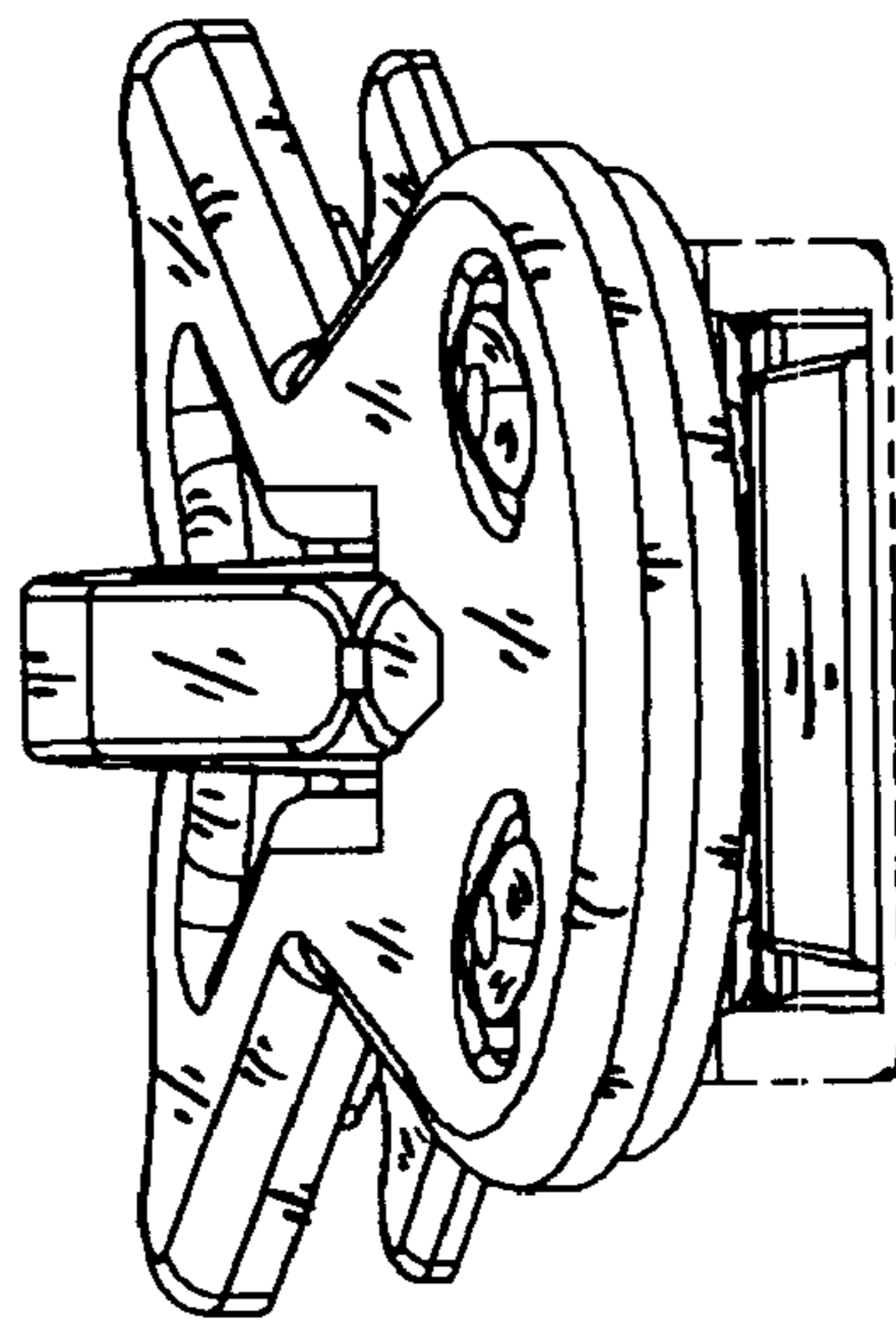
**FIG. 1**



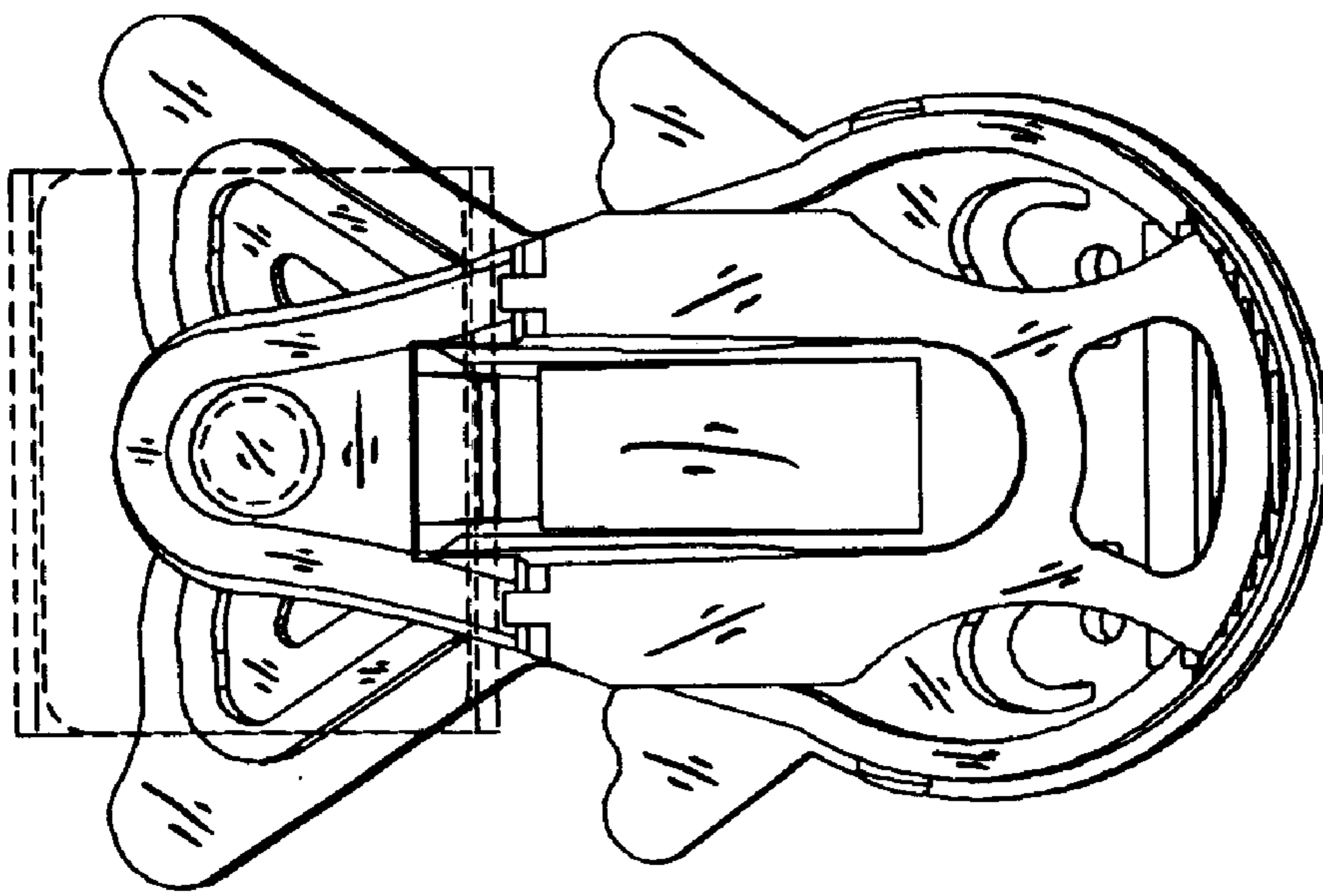
**FIG. 2**



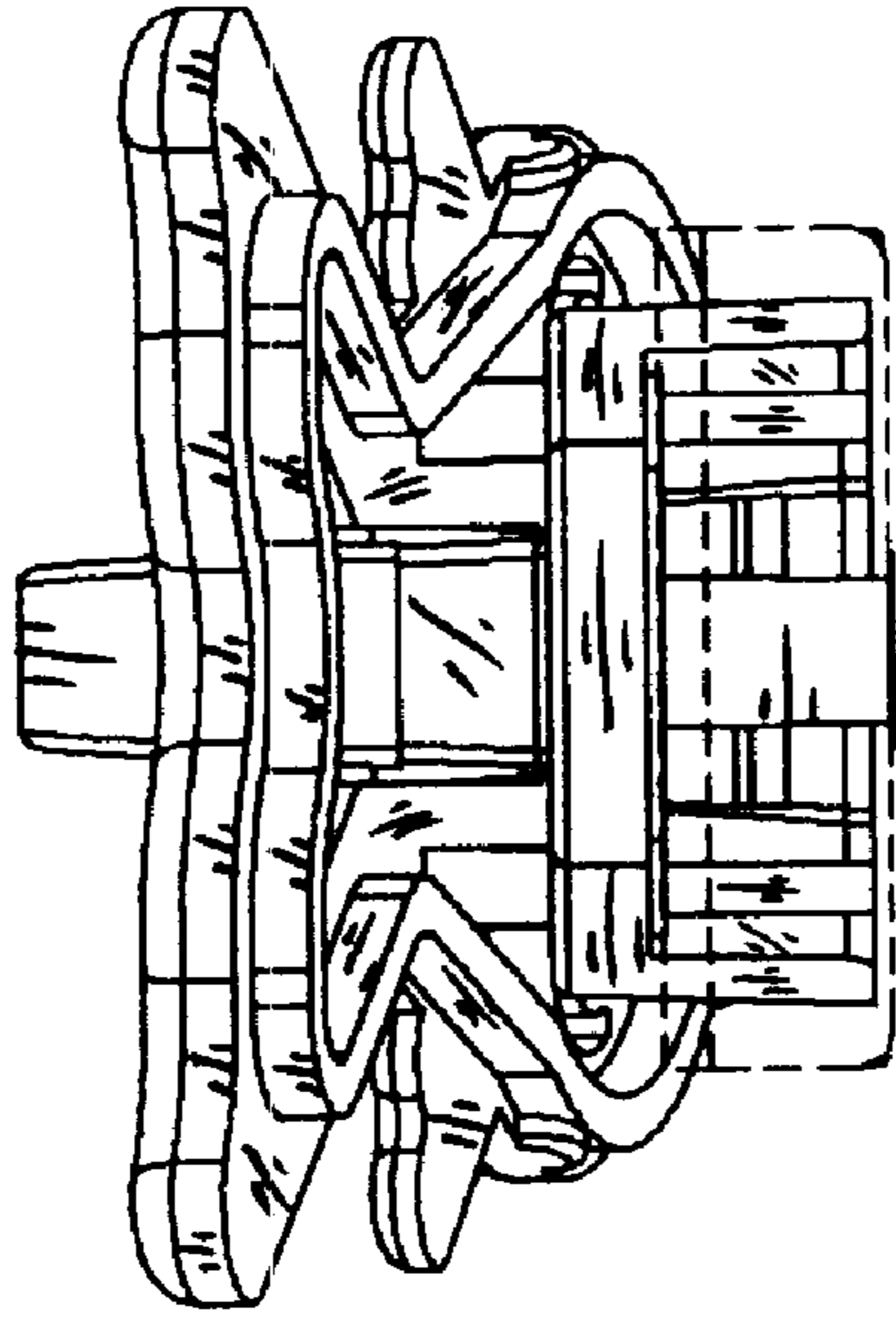
**FIG. 3**



**FIG. 4**



**FIG. 5**



**FIG. 6**