



US00D477982S

(12) **United States Design Patent**  
**Domenig et al.**

(10) **Patent No.:** **US D477,982 S**

(45) **Date of Patent:** **\*\* Aug. 5, 2003**

(54) **FULL OVERLAY HINGE**

(75) Inventors: **Georg Domenig**, Kernersville, NC  
(US); **Manfred Peer**, Walkertown, NC  
(US); **Todd Booker**, Garner, NC (US)

(73) Assignee: **Grass America Inc.**, Kernersville, NC  
(US)

(\*\*) Term: **14 Years**

(21) Appl. No.: **29/165,791**

(22) Filed: **Aug. 16, 2002**

(51) **LOC (7) Cl.** ..... **08-06**

(52) **U.S. Cl.** ..... **D8/323**

(58) **Field of Search** ..... D8/323, 325, 400,  
D8/324; 16/235, 236, 239-243, 245, 246,  
248, 249, 254, 382, 237, 335, DIG. 40,  
DIG. 34

(56) **References Cited**

**U.S. PATENT DOCUMENTS**

5,524,323 A \* 6/1996 Lin ..... 16/235  
5,826,305 A \* 10/1998 Domenig et al. .... 16/235

5,930,866 A \* 8/1999 Rupprechter ..... 16/242  
6,049,946 A \* 4/2000 Cress et al. .... 16/240  
6,470,531 B2 \* 10/2002 Domenig et al. .... 16/240

\* cited by examiner

*Primary Examiner*—Louis S. Zarfes

*Assistant Examiner*—Deanne Levy

(74) *Attorney, Agent, or Firm*—John M. Harrington;  
Kilpatrick Stockton LLP

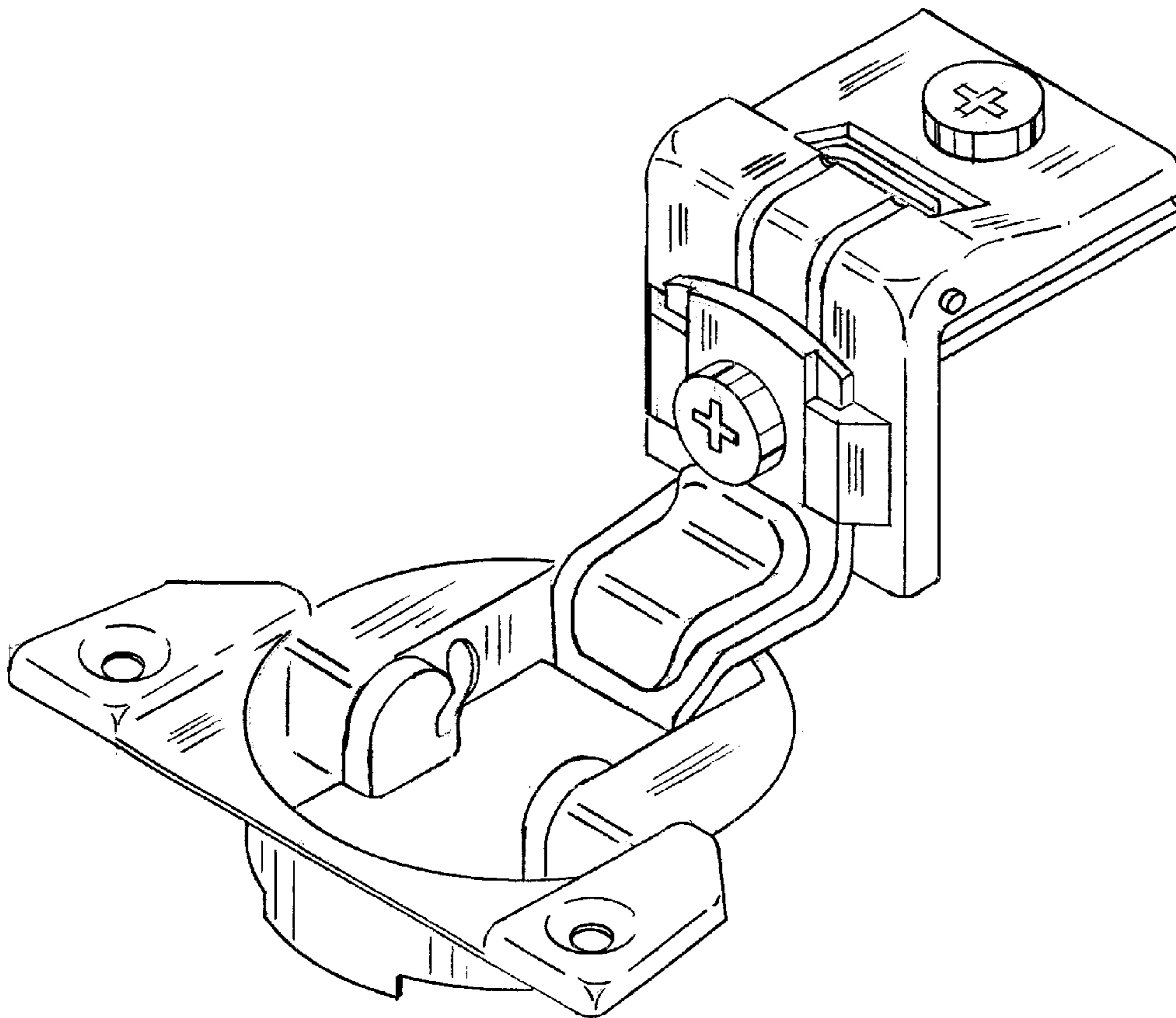
(57) **CLAIM**

We claim the ornamental design for a full overlay hinge, as shown and described.

**DESCRIPTION**

FIG. 1 is a top perspective view of an embodiment of a full overlay hinge or our new design.  
FIG. 2 is a bottom perspective view thereof.  
FIG. 3 is a side elevation view thereof.  
FIG. 4 is an opposite side elevation view thereof  
FIG. 5 is a top plan view thereof.  
FIG. 6 is a bottom plan view thereof.  
FIG. 7 is a front elevation view thereof; and,  
FIG. 8 is a rear elevation view thereof.

**1 Claim, 5 Drawing Sheets**



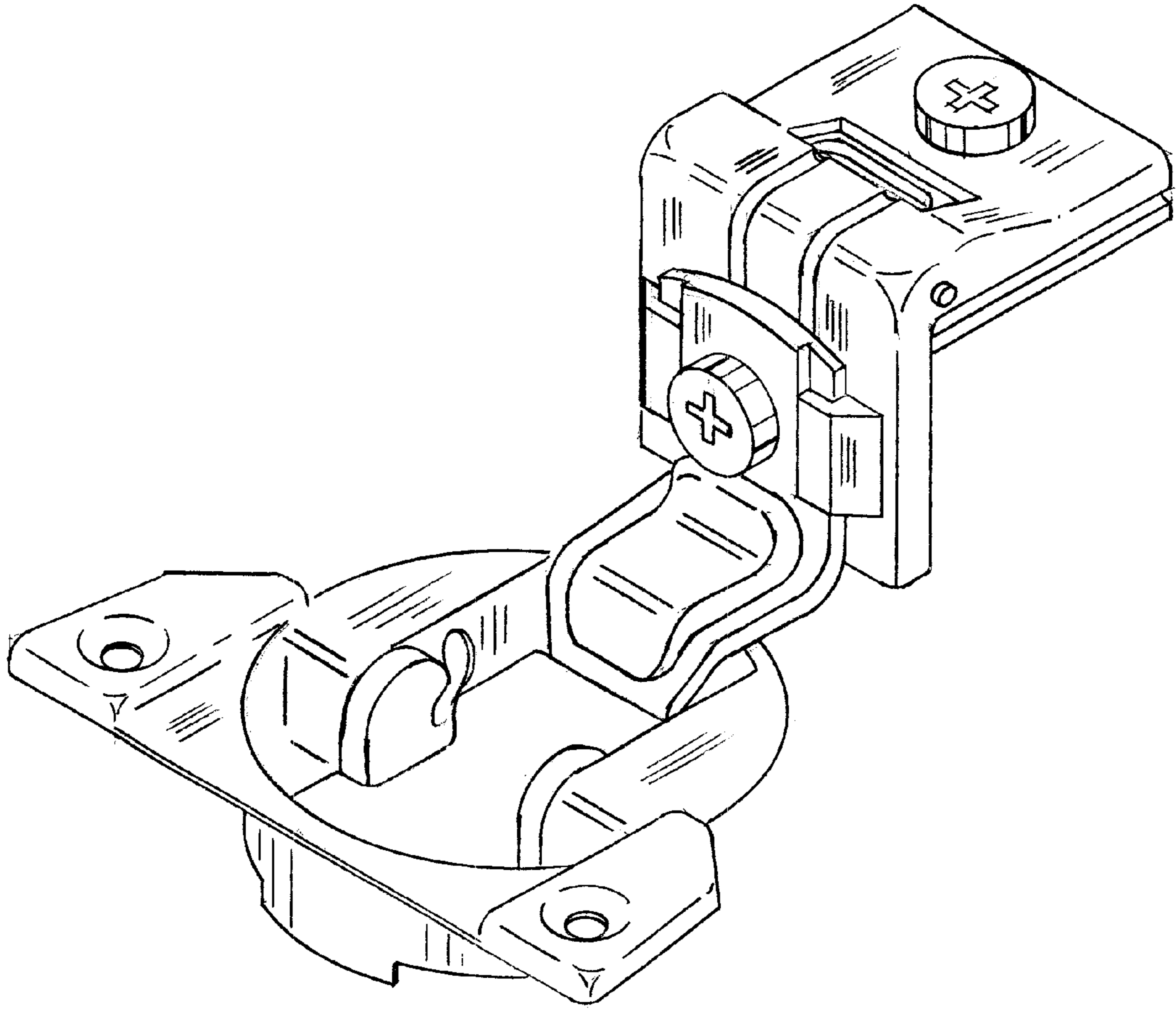


FIG. 1

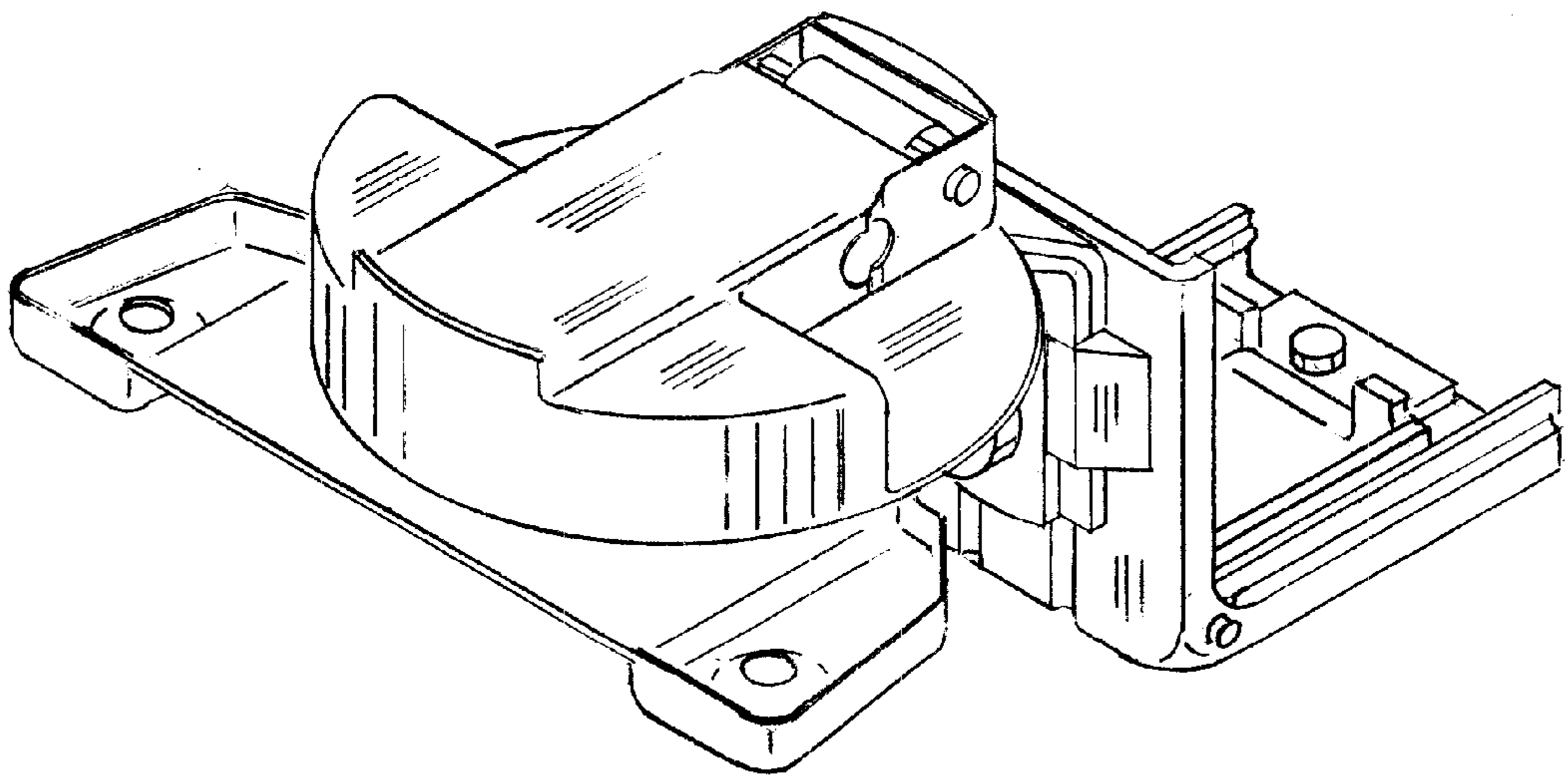
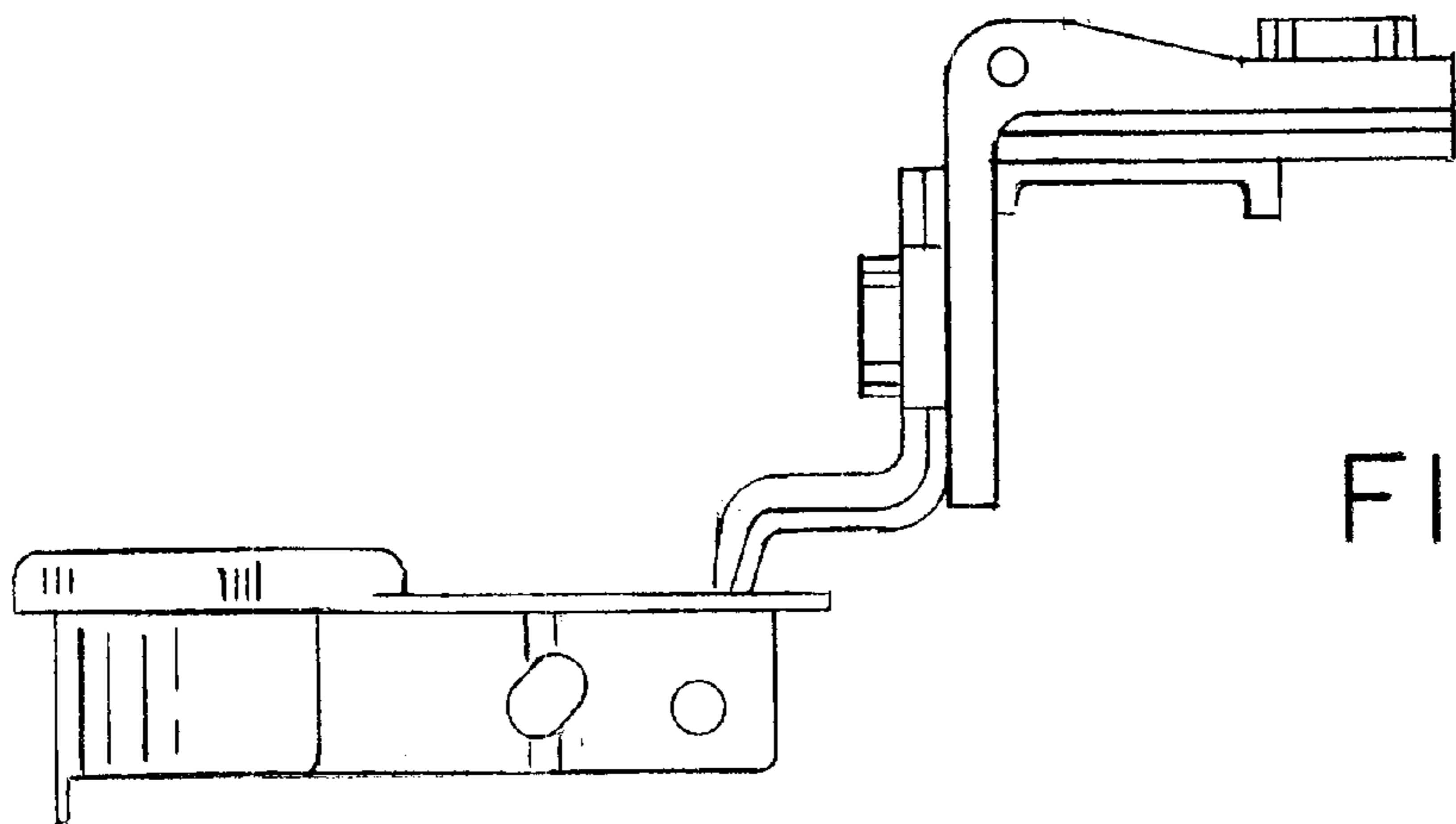
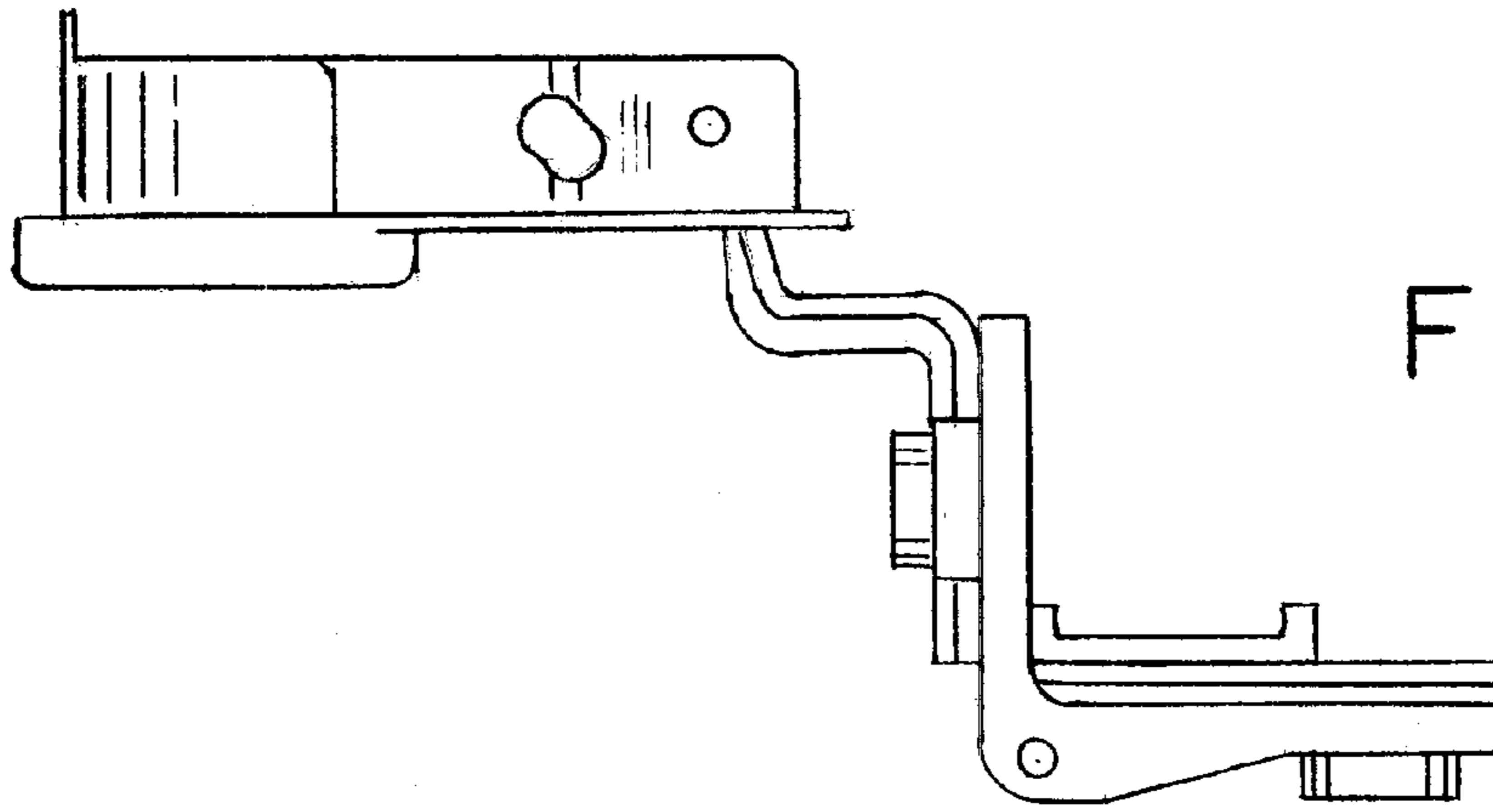


FIG. 2



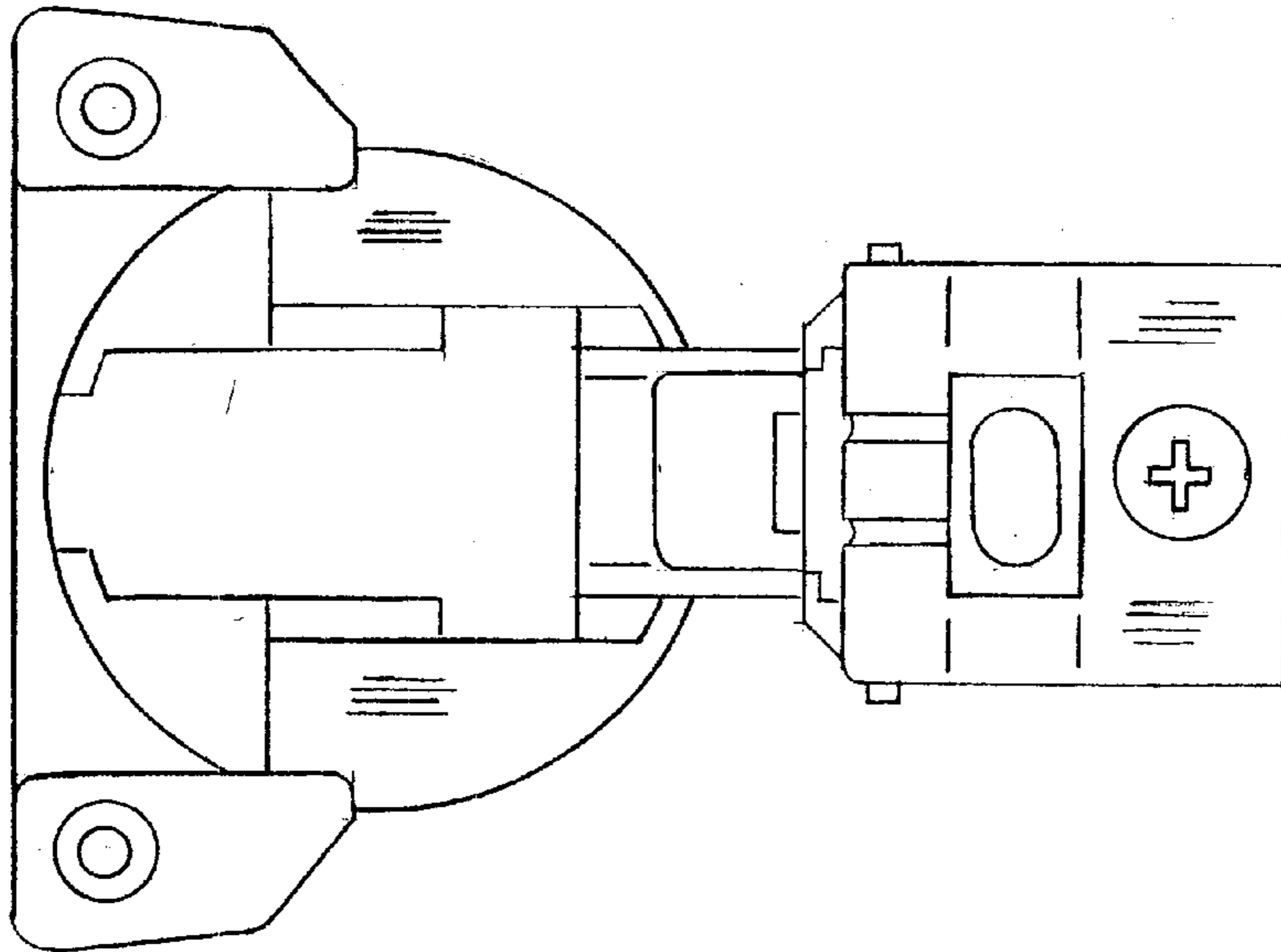


FIG. 5

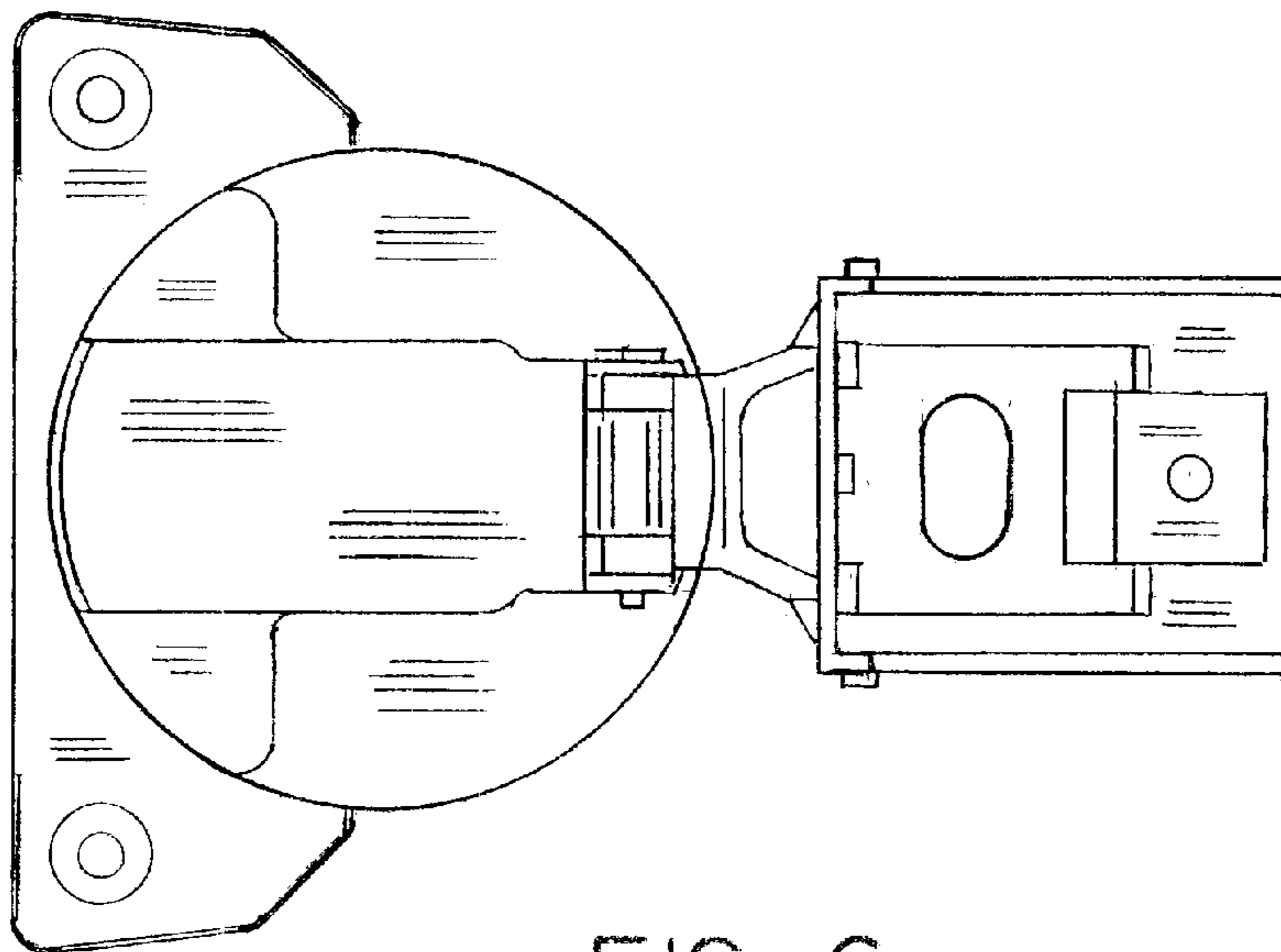


FIG. 6

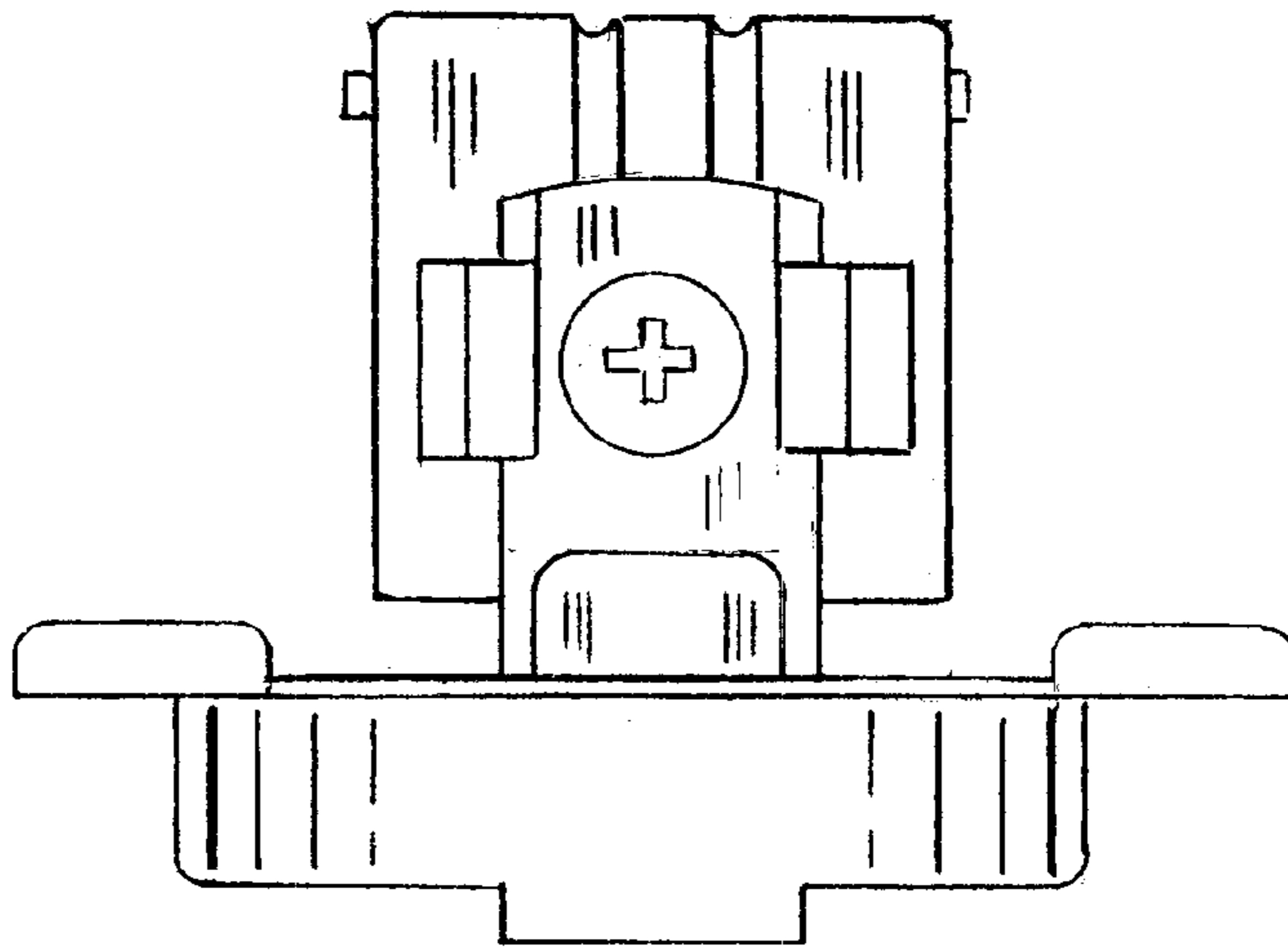


FIG. 7

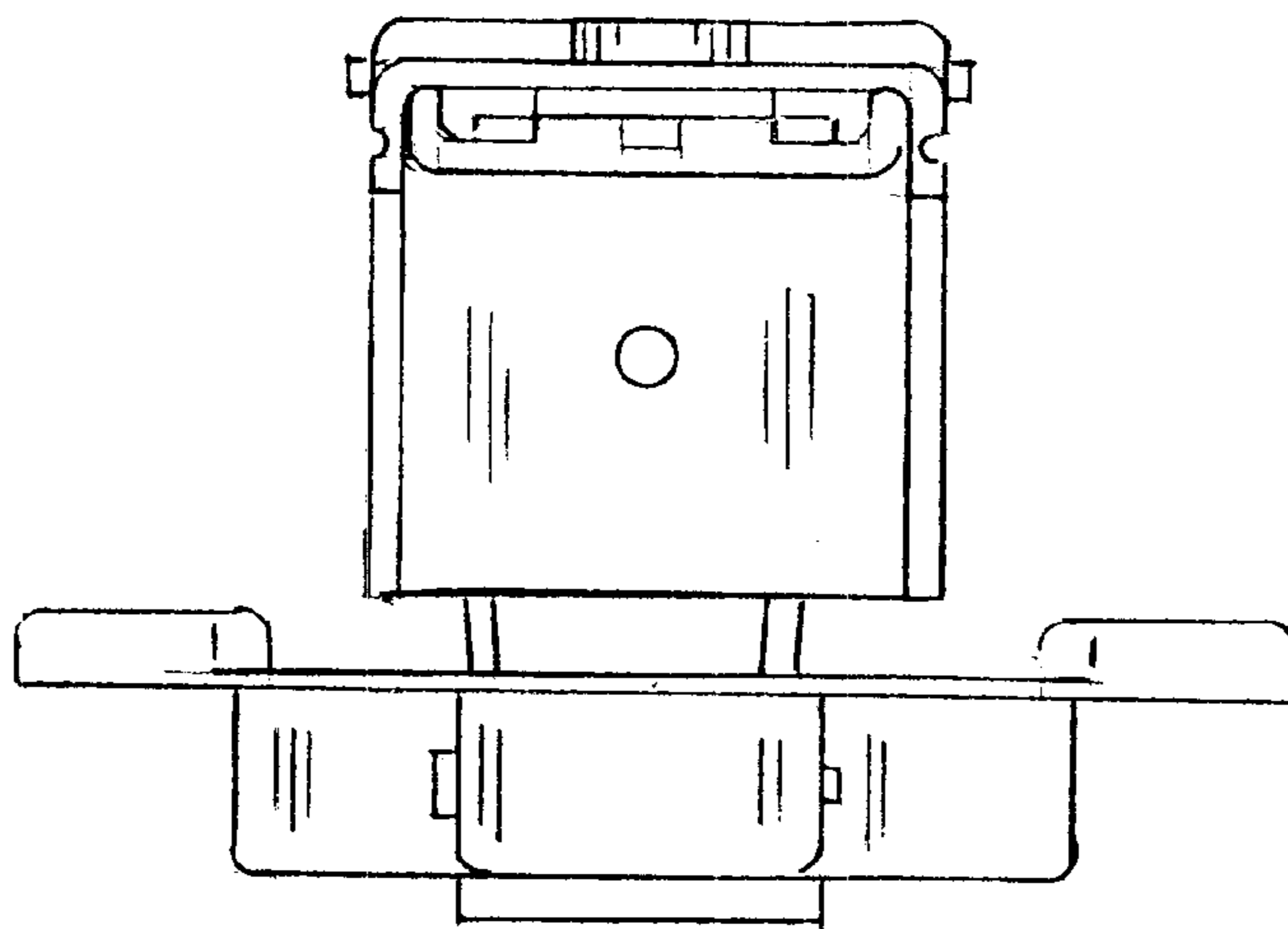


FIG. 8