



US00D477979S

(12) **United States Design Patent**
Hermann

(10) **Patent No.:** **US D477,979 S**

(45) **Date of Patent:** **** Aug. 5, 2003**

(54) **SPRING FOOT FOR A BAR CLAMP**

5,499,800 A * 3/1996 Albin 269/6

(75) Inventor: **James Hermann**, Raleigh, NC (US)

* cited by examiner

(73) Assignee: **Andrews Toolworks, Inc.**, Raleigh, NC (US)

Primary Examiner—Louis S. Zarfes

Assistant Examiner—Deanne Levy

(74) *Attorney, Agent, or Firm*—Akerman Senterfitt

(**) Term: **14 Years**

(57) **CLAIM**

(21) Appl. No.: **29/160,537**

An ornamental design for a spring foot for a bar clamp, as shown and described.

(22) Filed: **May 13, 2002**

(51) **LOC (7) Cl.** **08-05**

(52) **U.S. Cl.** **D8/72**

(58) **Field of Search** D8/71-74; 269/3, 269/6, 143, 147-149, 165-167, 204; 81/487; 29/243.55, 257, 276

DESCRIPTION

(56) **References Cited**

U.S. PATENT DOCUMENTS

- 1,241,215 A * 9/1917 Hoffman 269/149
- 4,339,113 A * 7/1982 Vosper 269/147
- D286,369 S * 10/1986 Hahn D8/72
- 4,921,234 A * 5/1990 Peterson 269/147
- D365,263 S * 12/1995 Sorensen et al. D8/72

FIG. 1 is a perspective view of the spring foot for a bar clamp according to the subject invention.

FIG. 2 is a side view of the spring foot for a bar clamp in FIG. 1.

FIG. 3 is a side view opposite to the side view of FIG. 2.

FIG. 4 is an end view of the spring foot in FIG. 1.

FIG. 5 is an end view opposite to the end view of FIG. 4.

FIG. 6 is a top view of the spring foot in FIG. 1; and,

FIG. 7 is a bottom view of the spring foot in FIG. 1.

The broken line showing of the bar clamp is for illustrative purposes only and forms no part of the claimed design.

1 Claim, 4 Drawing Sheets

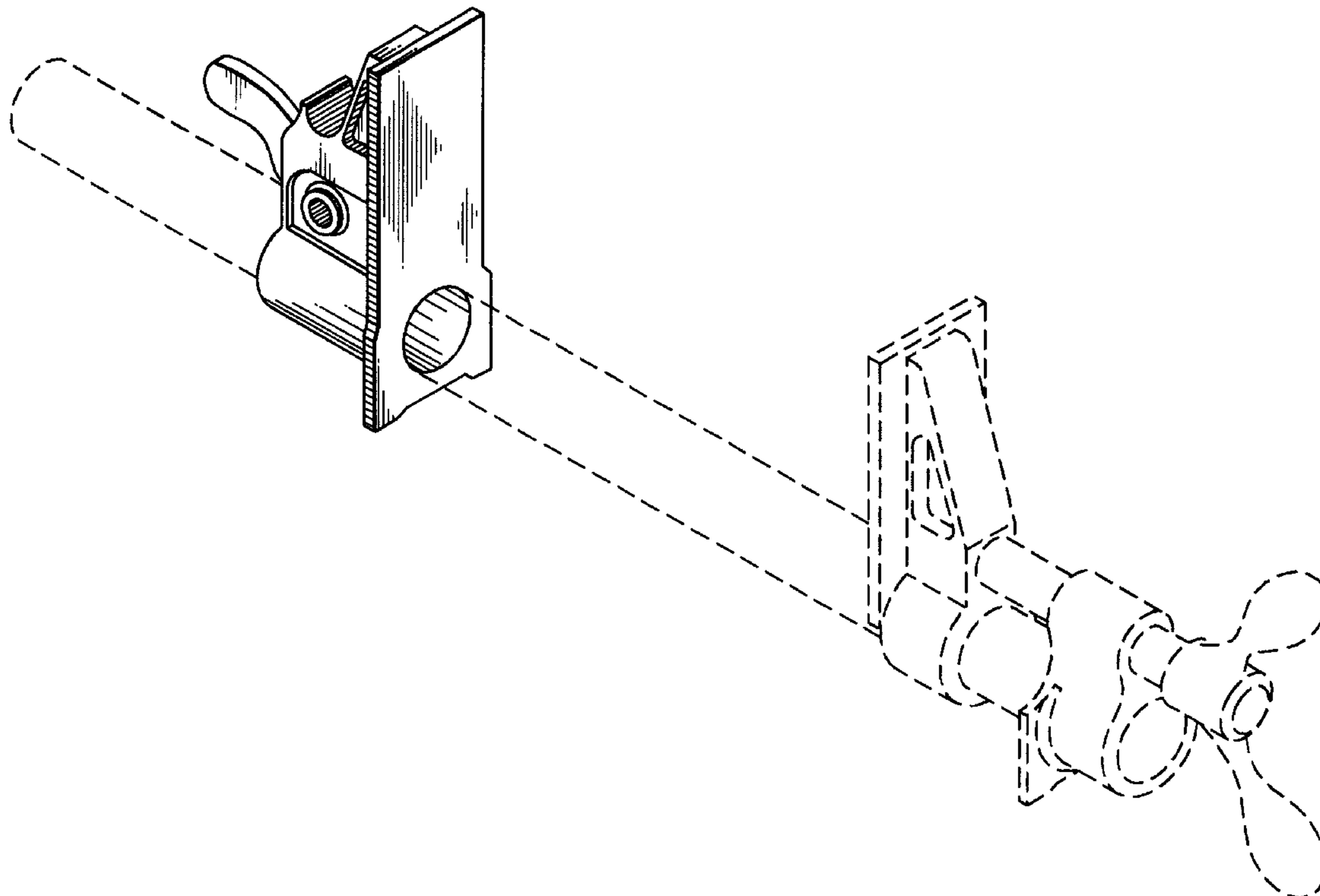
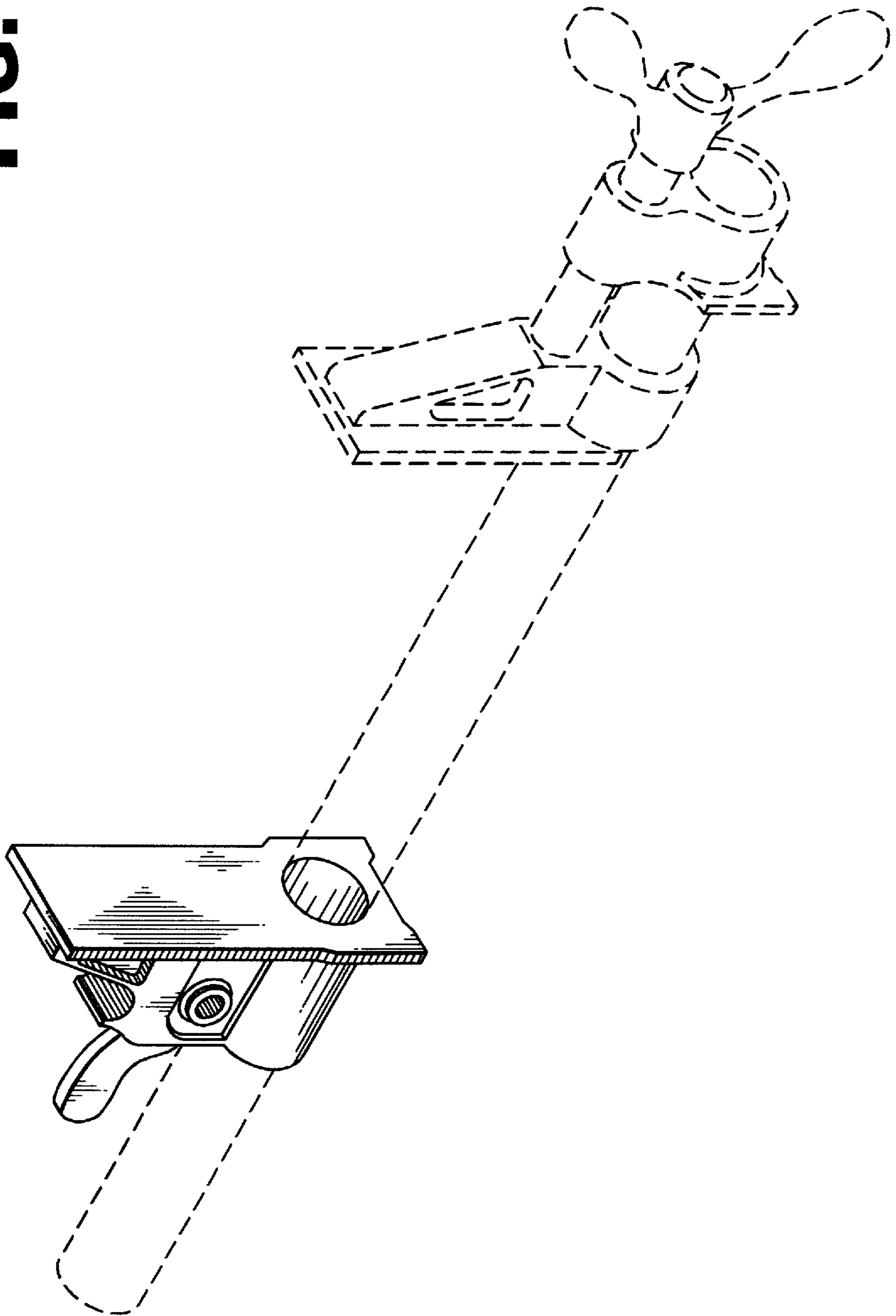


FIG. 1



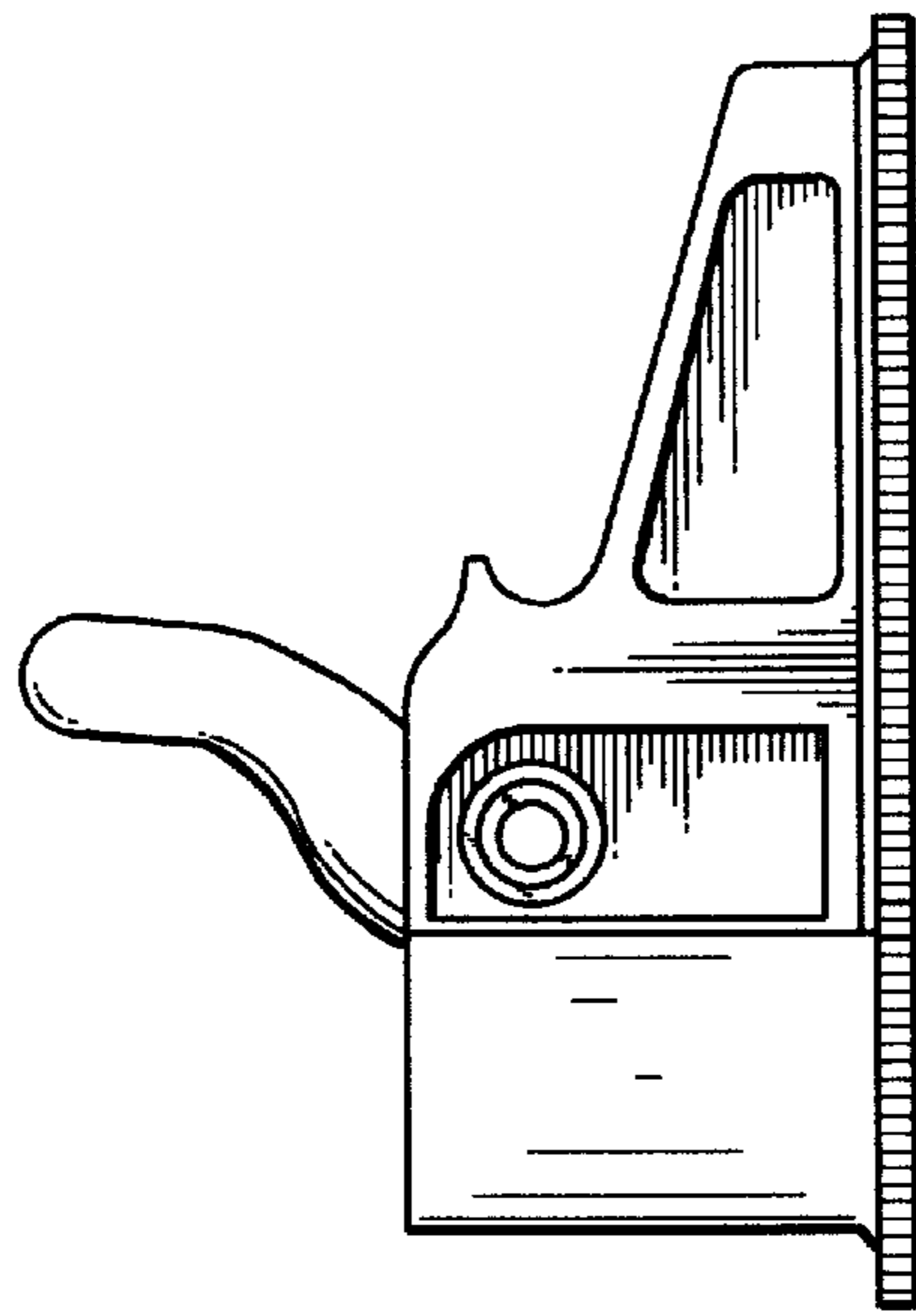


FIG. 2

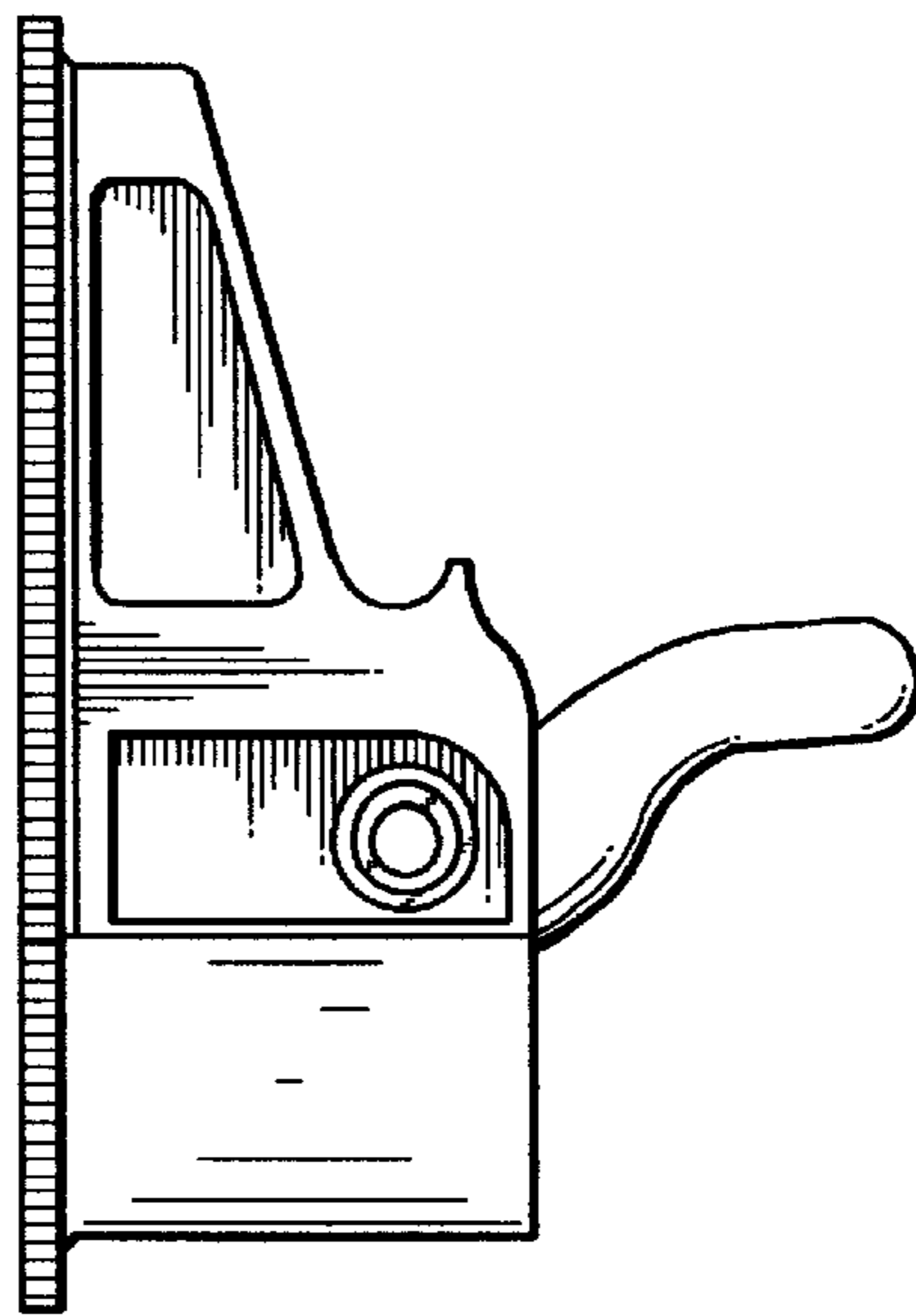


FIG. 3

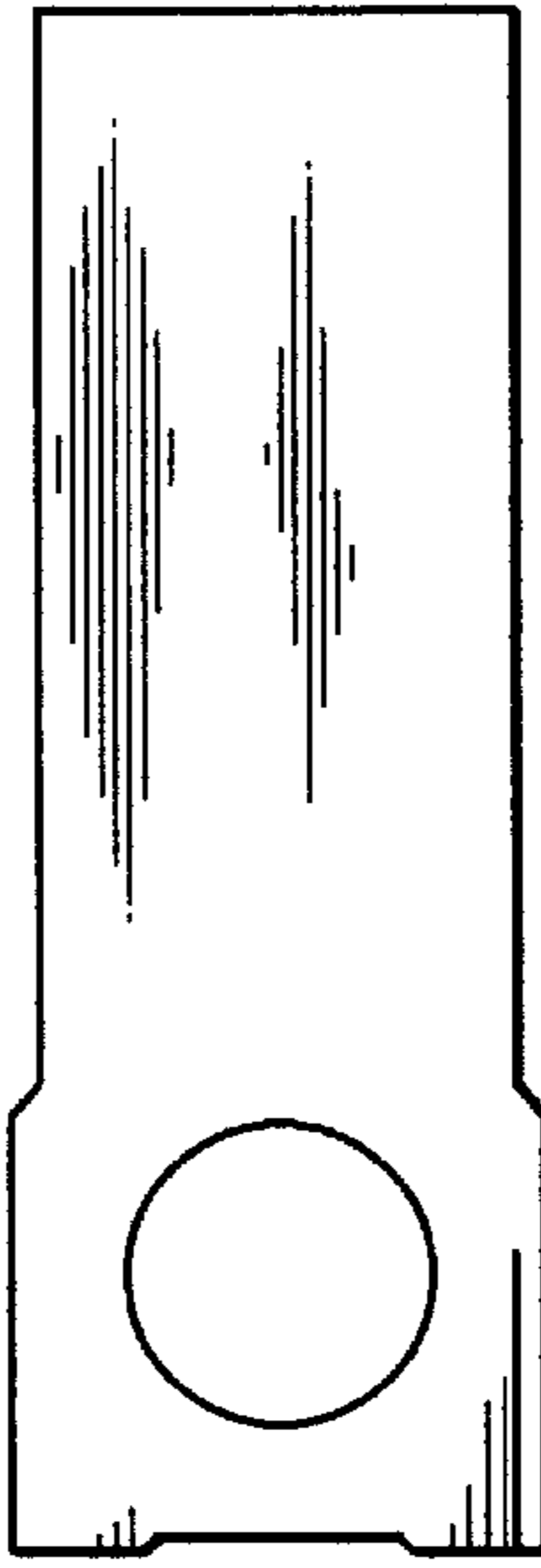


FIG. 4

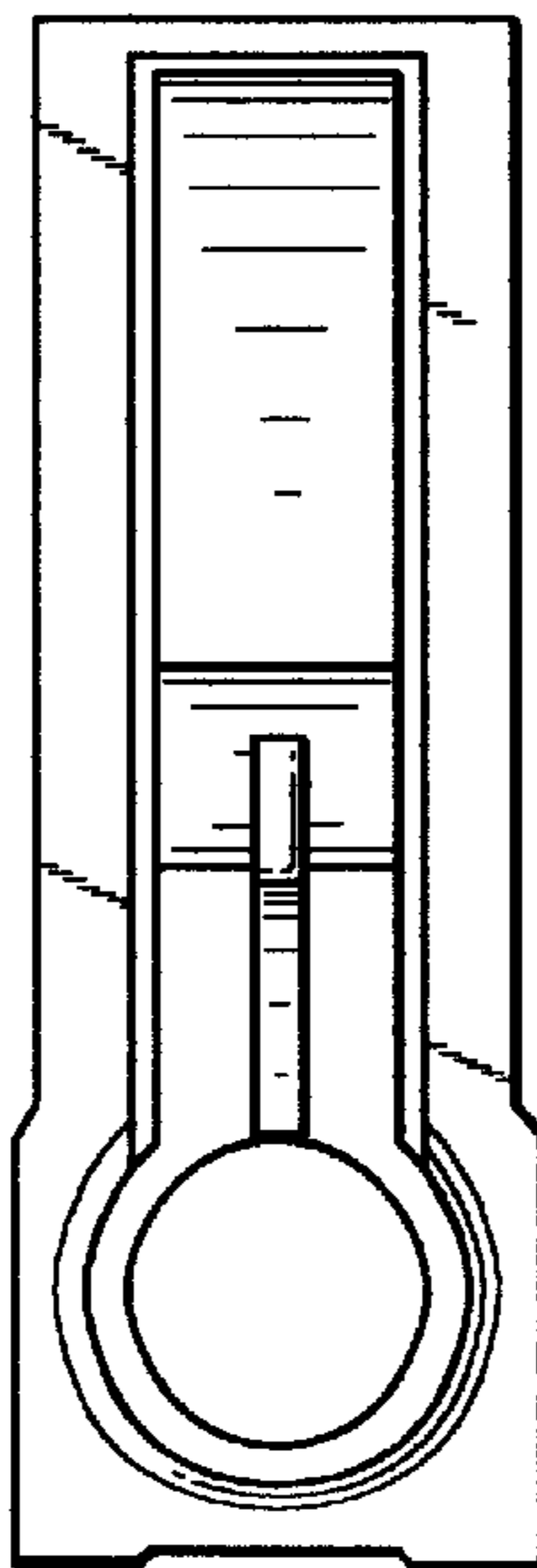


FIG. 5

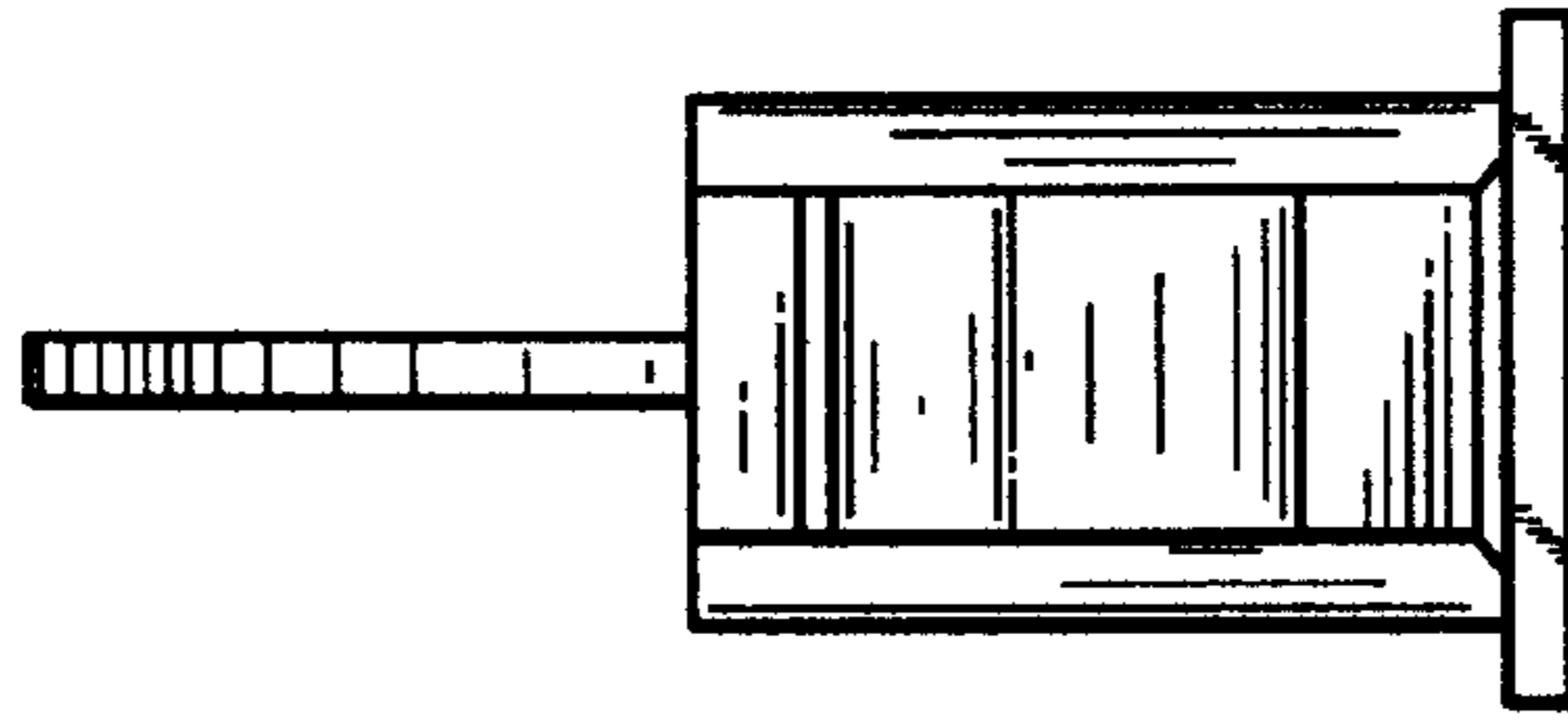


FIG. 6

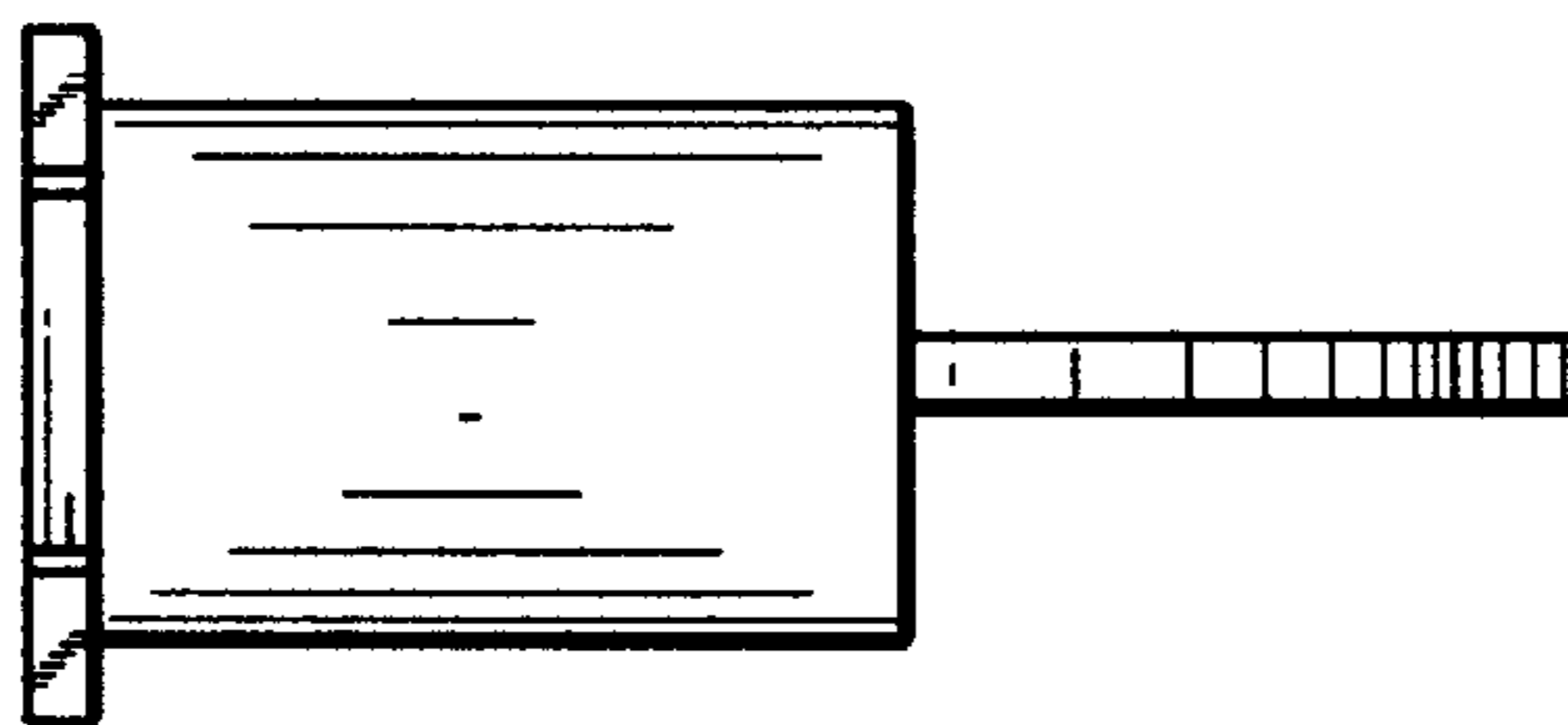


FIG. 7