



US00D477977S

(12) **United States Design Patent**
Liu

(10) **Patent No.:** **US D477,977 S**

(45) **Date of Patent:** **** Aug. 5, 2003**

(54) **PNEUMATIC TOOL**

(75) **Inventor:** **You-Jie Liu, Taichung (TW)**

(73) **Assignee:** **Basso Industry Corp., Taichung (TW)**

(**) **Term:** **14 Years**

(21) **Appl. No.:** **29/171,133**

(22) **Filed:** **Nov. 18, 2002**

(51) **LOC (7) Cl.** **08-05**

(52) **U.S. Cl.** **D8/68**

(58) **Field of Search** D8/61, 62, 63,
D8/64, 65, 66, 67, 68, 69, 70; 81/57.11,
429, 464, 465, 466, 469, 489; 173/13, 169,
178, 213, 217; 227/8, 114, 120, 130, 136,
142; 310/50; 408/20, 124, 125, 234, 241 R;
451/358

(56) **References Cited**

U.S. PATENT DOCUMENTS

3,037,740	A	*	6/1962	Sheps et al.	173/169
3,352,368	A	*	11/1967	Maffey, Jr.	D8/68
5,918,686	A	*	7/1999	Izumisawa	173/169
6,062,323	A	*	5/2000	Pusateri et al.	173/169

D434,297	S	*	11/2000	Iritani et al.	D8/68
D434,958	S	*	12/2000	Izumisawa	D8/68
D436,818	S	*	1/2001	Izumisawa	D8/68
D441,628	S	*	5/2001	Bass et al.	D8/68
D454,475	S	*	3/2002	Taga	D8/68
D467,782	S	*	12/2002	Morgan	D8/68

* cited by examiner

Primary Examiner—Doris V. Coles

Assistant Examiner—T. Chase Nelson

(74) *Attorney, Agent, or Firm*—Charles E. Baxley

(57) **CLAIM**

The ornamental design for a pneumatic tool, as shown and described.

DESCRIPTION

FIG. 1 is a perspective view of a pneumatic tool showing our new design;

FIG. 2 is a front elevational view thereof;

FIG. 3 is a rear elevational view thereof,

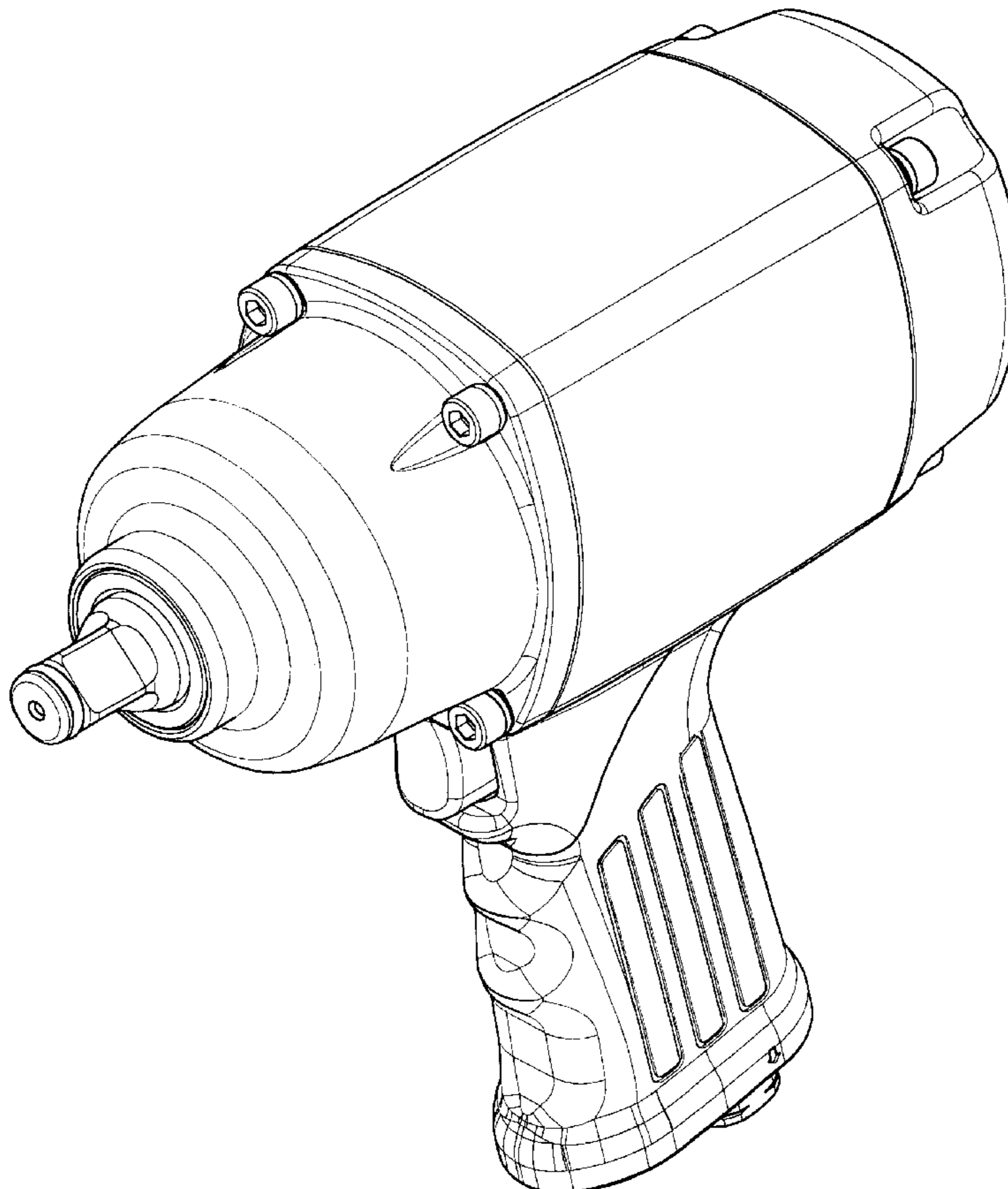
FIG. 4 is a left side elevational view thereof,

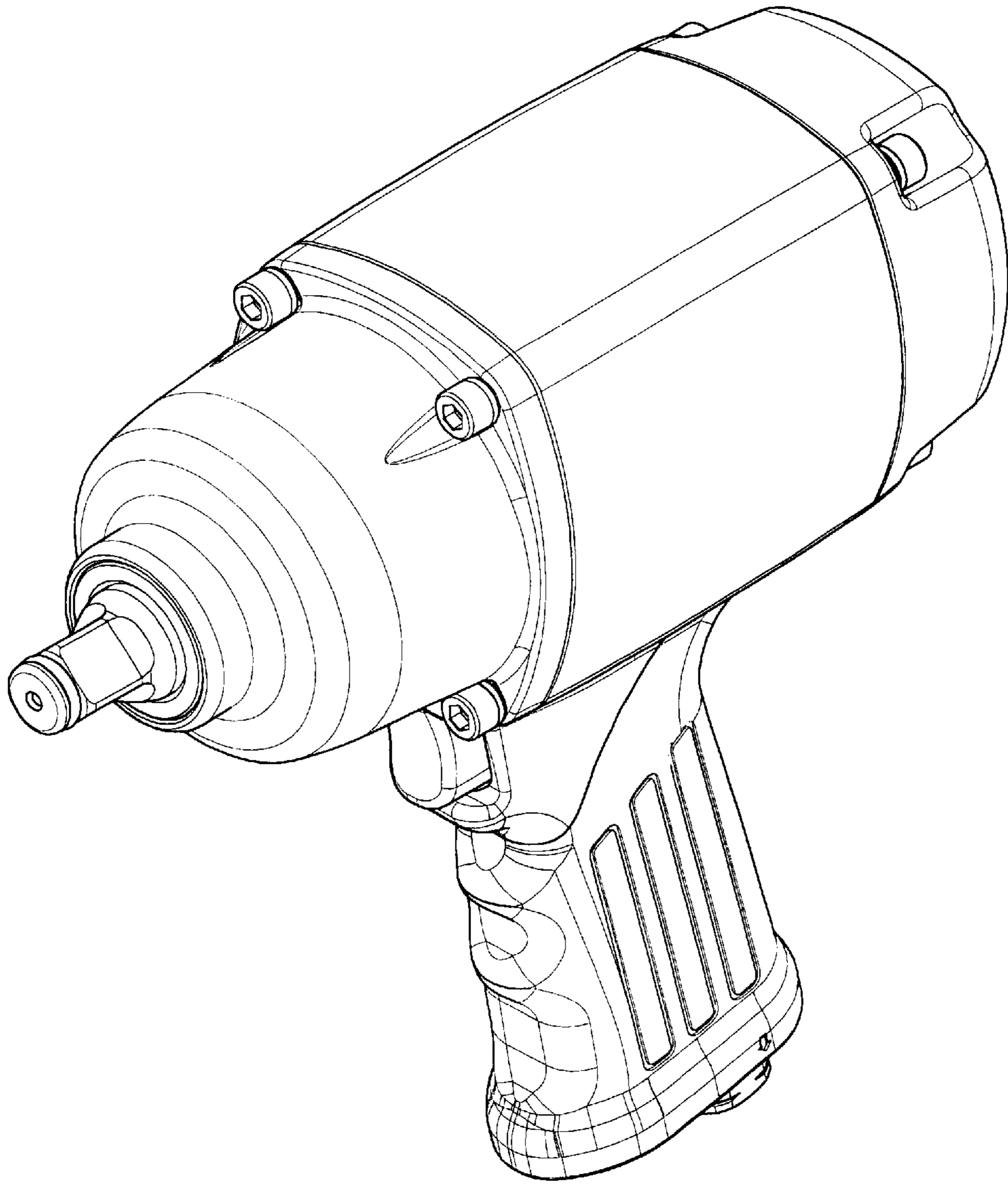
FIG. 5 is a right side elevational view thereof,

FIG. 6 is a top plan view thereof; and,

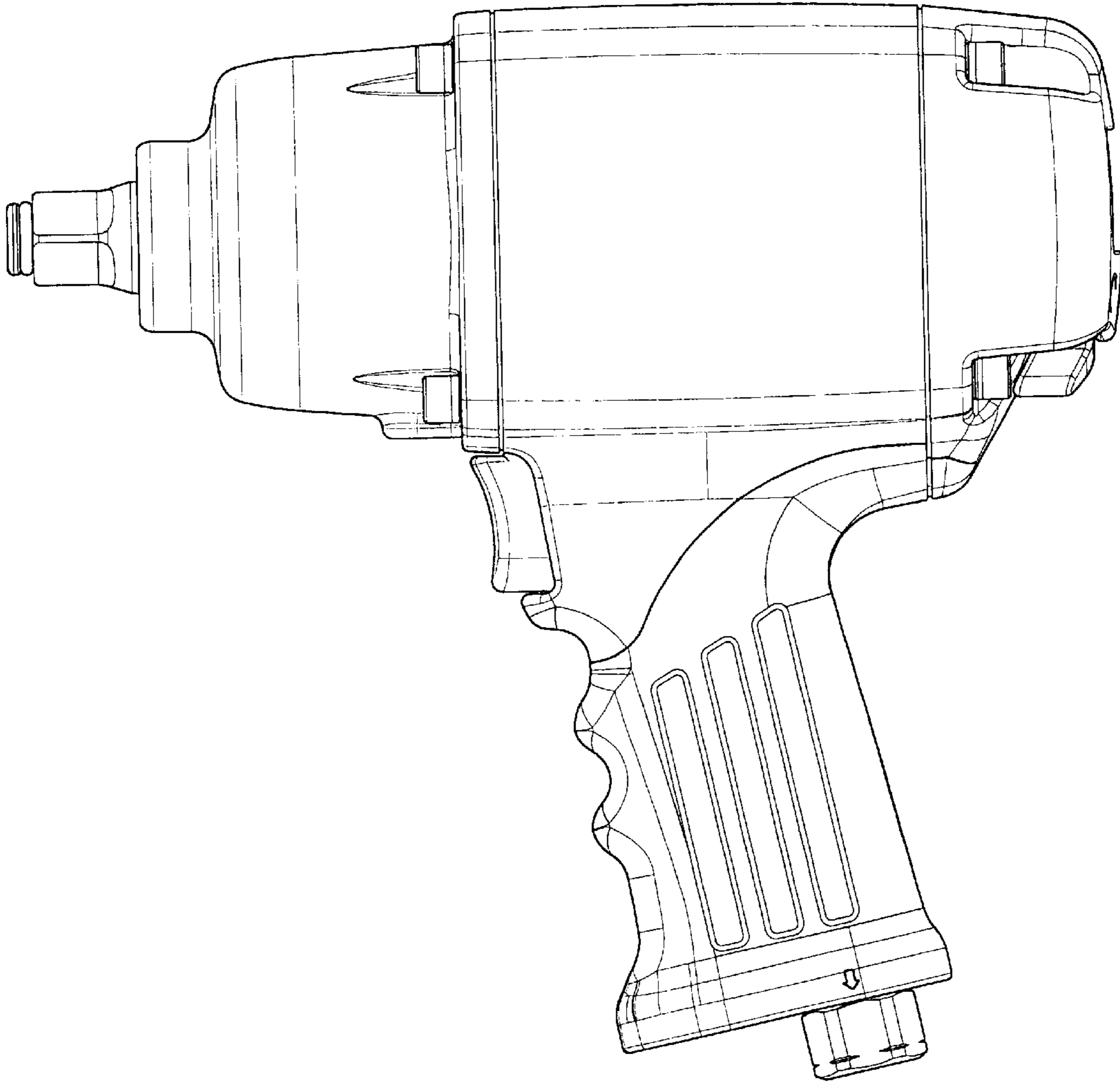
FIG. 7 is a bottom plan view to that shown.

1 Claim, 6 Drawing Sheets

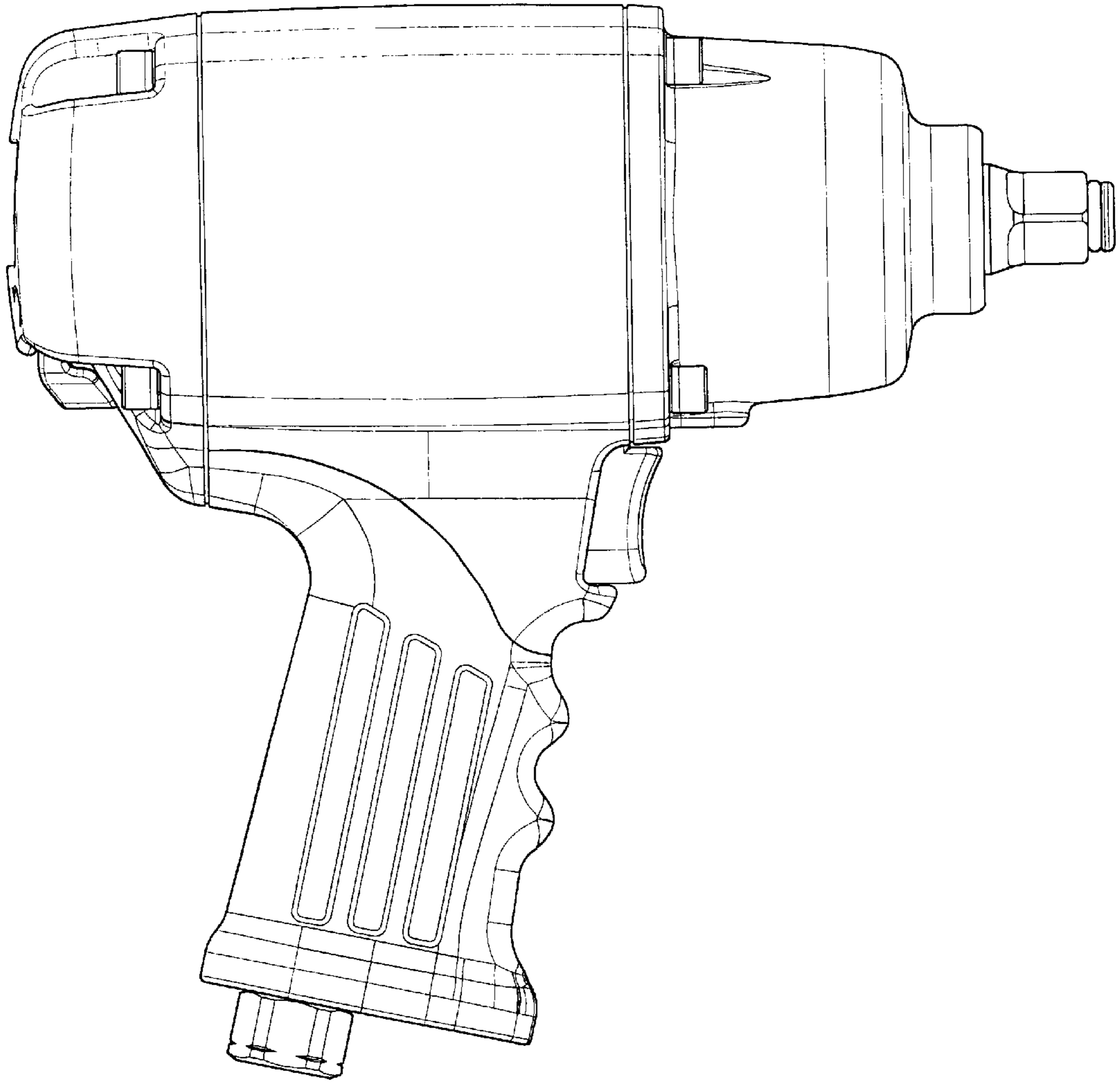




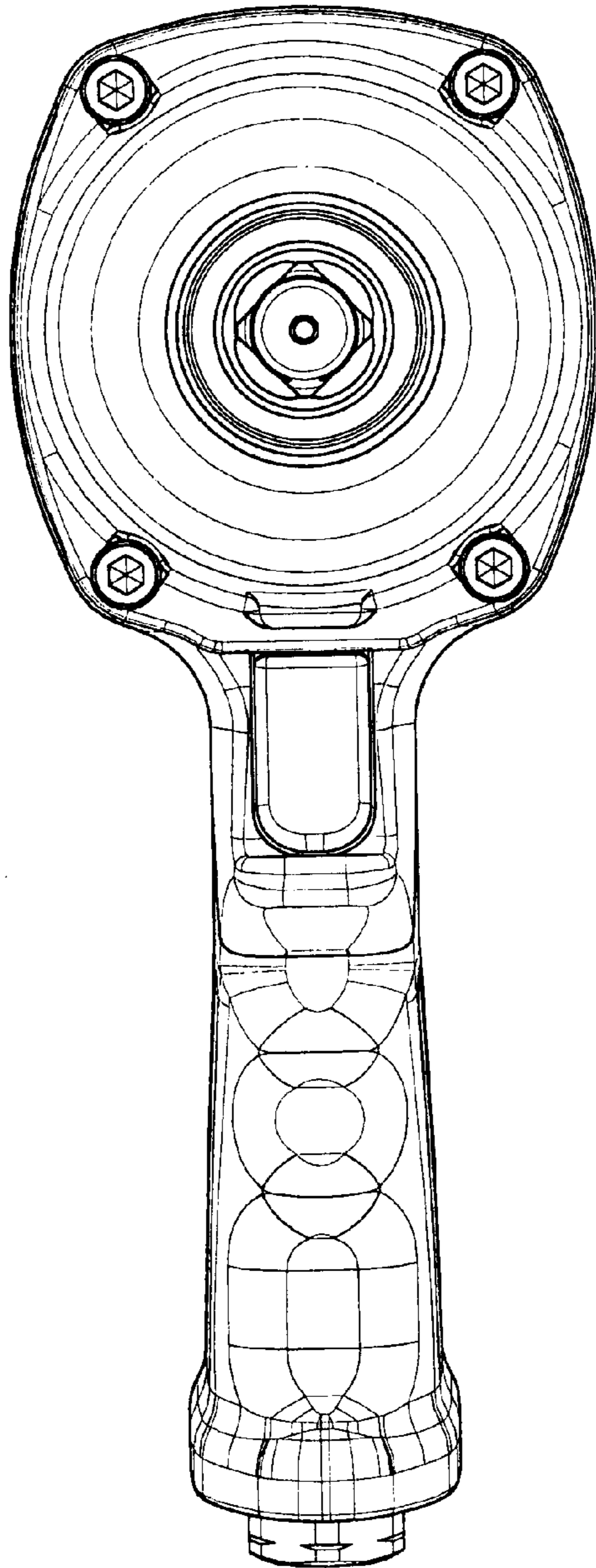
F I G. 1



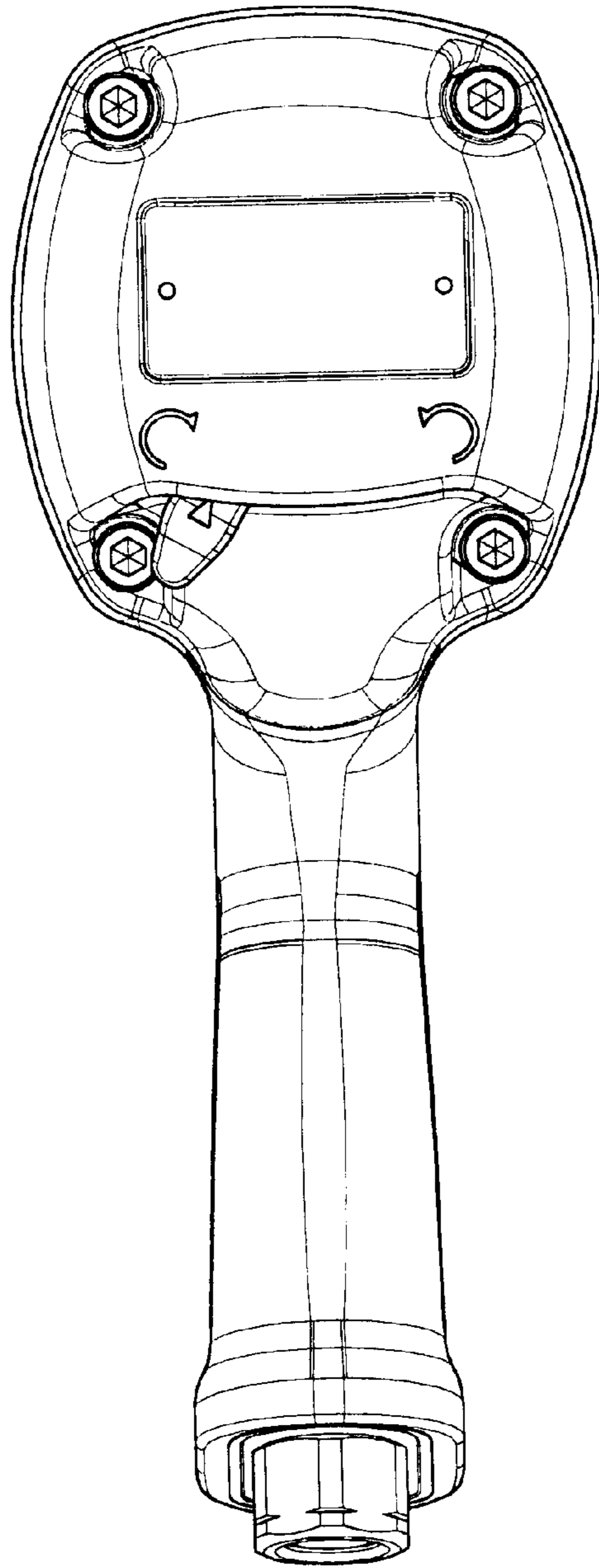
F I G. 2



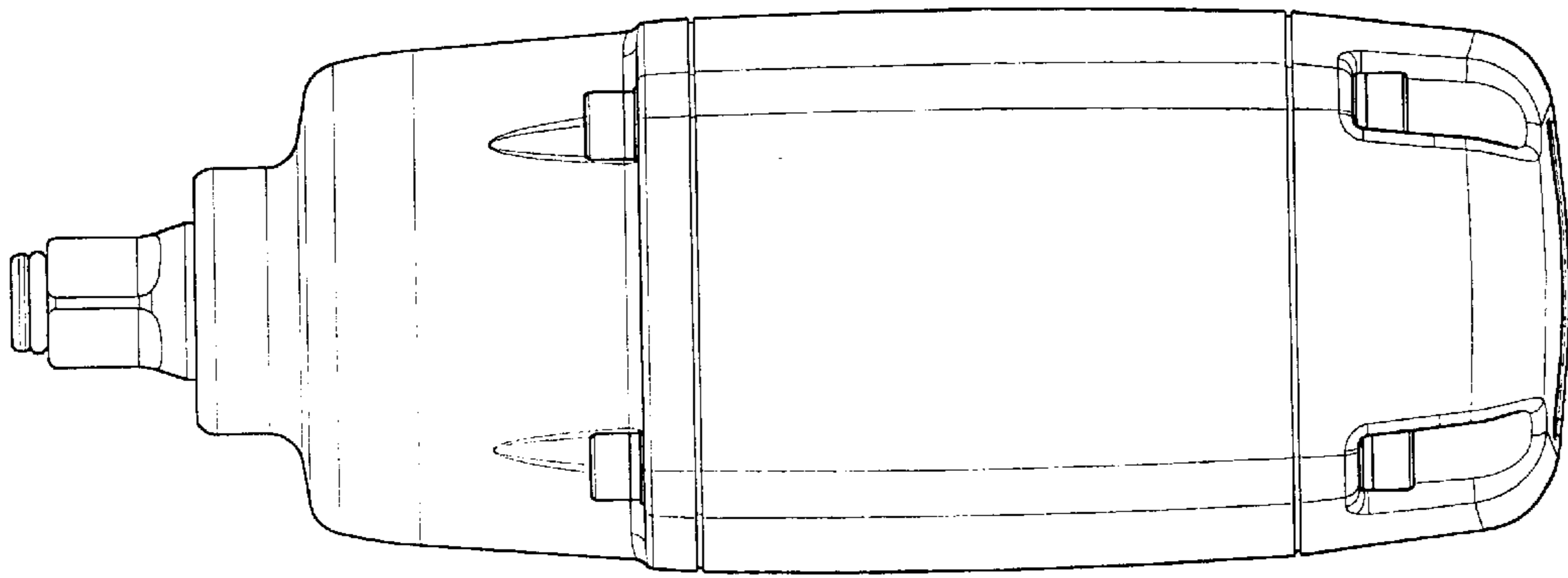
F I G. 3



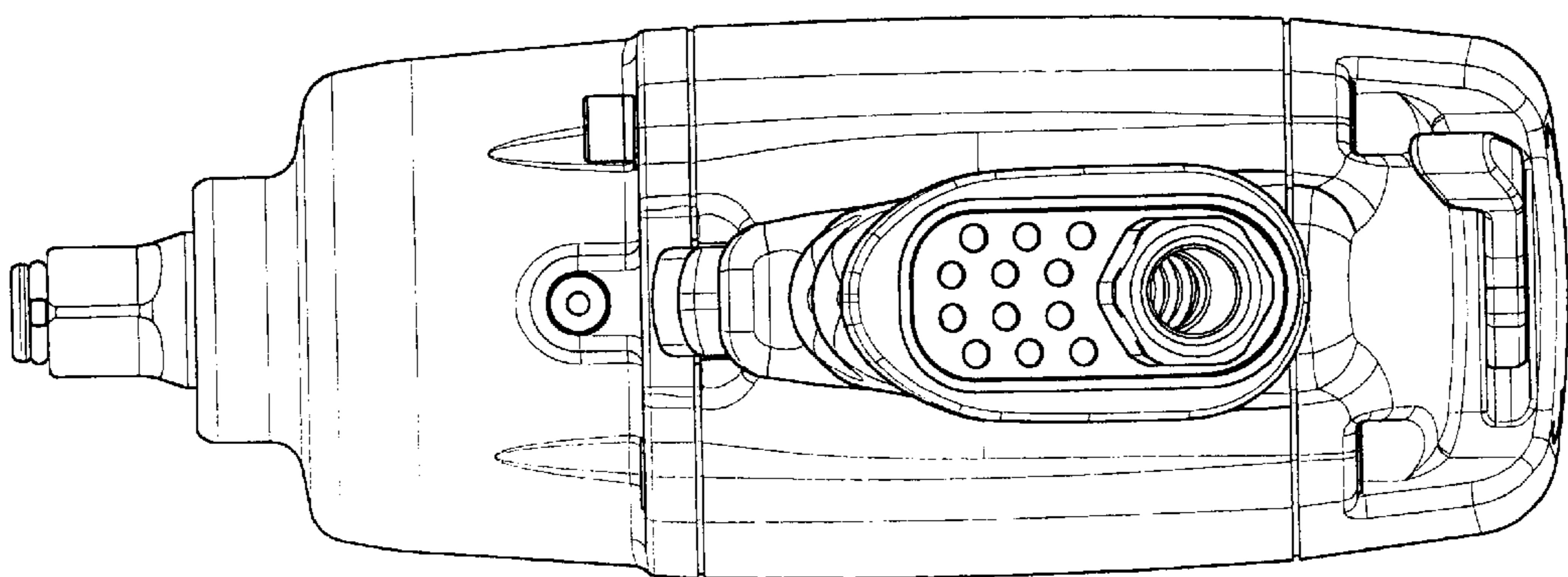
F I G . 4



F I G. 5



F I G. 6



F I G. 7